



US00D864880S

(12) **United States Design Patent**  
**Mishim**

(10) **Patent No.:** **US D864,880 S**

(45) **Date of Patent:** **\*\* Oct. 29, 2019**

(54) **HEATSINK WITH HINGE**

(71) Applicant: **Soraa, Inc.**, Fremont, CA (US)

(72) Inventor: **Artem Mishim**, Fremont, CA (US)

(73) Assignee: **SORAA, INC.**, Fremont, CA (US)

(\*\*) Term: **15 Years**

(21) Appl. No.: **29/636,123**

(22) Filed: **Feb. 6, 2018**

(51) **LOC (12) Cl.** ..... **13-03**

(52) **U.S. Cl.**  
USPC ..... **D13/179**

(58) **Field of Classification Search**  
USPC ..... D13/179, 182; D15/199; D26/138, 141,  
D26/152, 142, 63; D14/435, 436  
CPC ... H01L 23/473; H01L 23/4735; H01L 23/46;  
H01L 23/467; H01L 23/4006; H01L  
23/427; H01L 23/3672; F28D 15/00;  
F28D 15/02; F28D 15/0275; F28D 3/02;  
G06F 1/20; G06F 2200/201; F28F 1/025;  
F28F 1/325

See application file for complete search history.

(56) **References Cited**

**U.S. PATENT DOCUMENTS**

D691,568 S \* 10/2013 Holland ..... D13/179  
D694,928 S \* 12/2013 Chen ..... D26/63  
D720,706 S \* 1/2015 Chang ..... D13/179  
D736,723 S \* 8/2015 Shum ..... D13/179  
D739,064 S \* 9/2015 Heiner ..... D26/63  
D747,525 S \* 1/2016 Guercio ..... D26/63  
D748,838 S \* 2/2016 Brynjolfsson ..... D26/63  
D762,181 S \* 7/2016 Lin ..... F21V 29/83  
D13/179

D780,357 S \* 2/2017 Kliegl ..... D26/63  
D792,626 S \* 7/2017 Casper ..... D13/179  
2008/0080190 A1 \* 4/2008 Walczak ..... F21V 14/02  
362/294  
2012/0268941 A1 \* 10/2012 Shih ..... F21V 3/02  
362/294

**OTHER PUBLICATIONS**

SORAA, "SORAA arc", Cached from date May 15, 2017. (<https://www.soraa.com/products/directionalluminaires>) (Year: 2017).\*

\* cited by examiner

*Primary Examiner* — Jennifer Rivard

*Assistant Examiner* — April Rivas

(74) *Attorney, Agent, or Firm* — FisherBroyles LLP

(57) **CLAIM**

The ornamental design for a heatsink with hinge, as shown and described.

**DESCRIPTION**

FIG. 1 is a bottom view of a heatsink with hinge showing my design;

FIG. 2 is a top view thereof;

FIG. 3 is a front view thereof;

FIG. 4 is a right side view thereof;

FIG. 5 is a left side view thereof;

FIG. 6 is a rear side view thereof;

FIG. 7 is a top perspective view thereof;

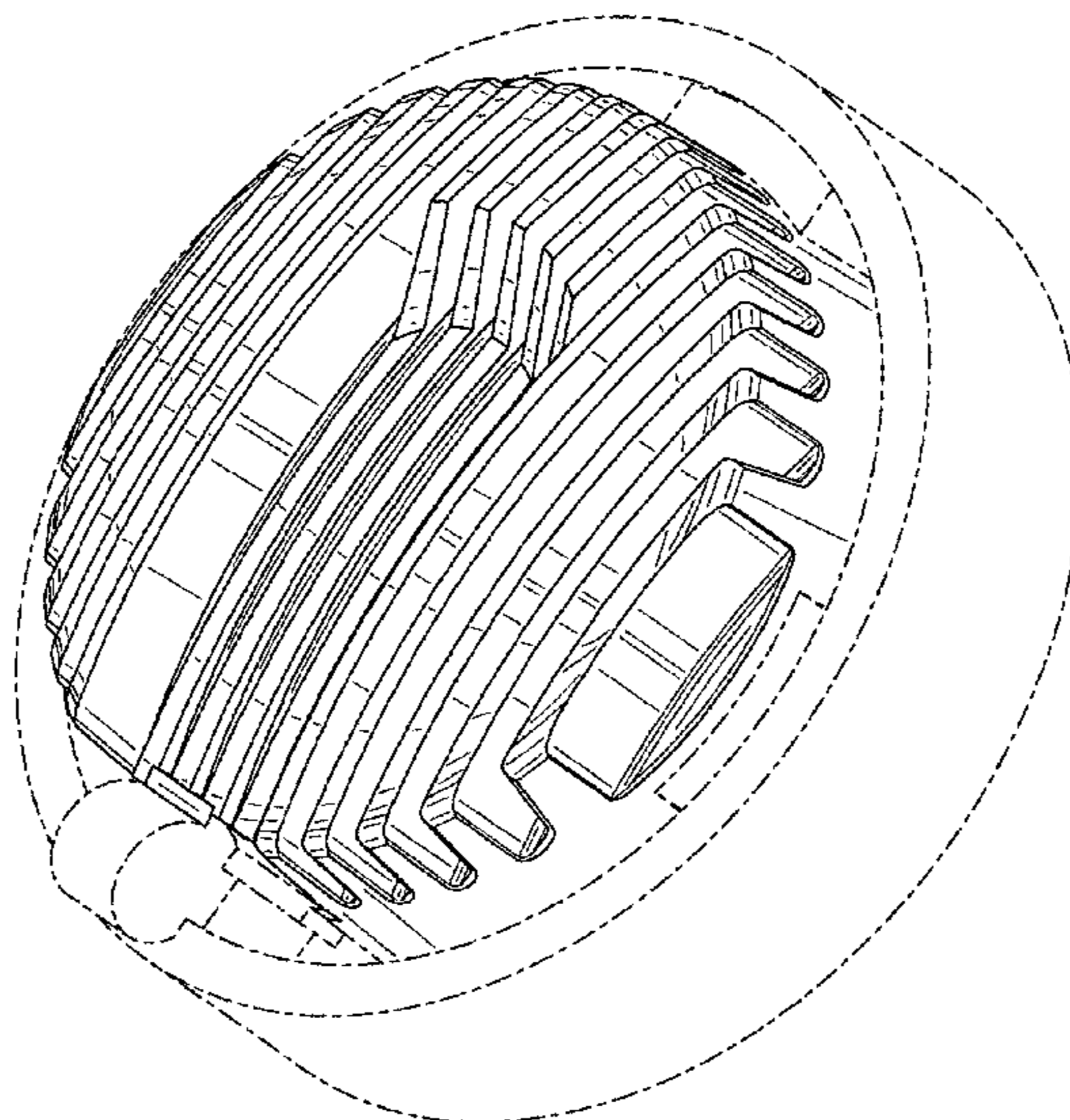
FIG. 8 is a bottom perspective view thereof;

FIG. 9 is another is a top perspective view thereof at a different angle than that of FIG. 7; and,

FIG. 10 is another is a top perspective view thereof at a different angle than that of FIG. 7.

The broken lines illustrate portions of the heatsink with hinge and form no part of the claimed design.

**1 Claim, 10 Drawing Sheets**



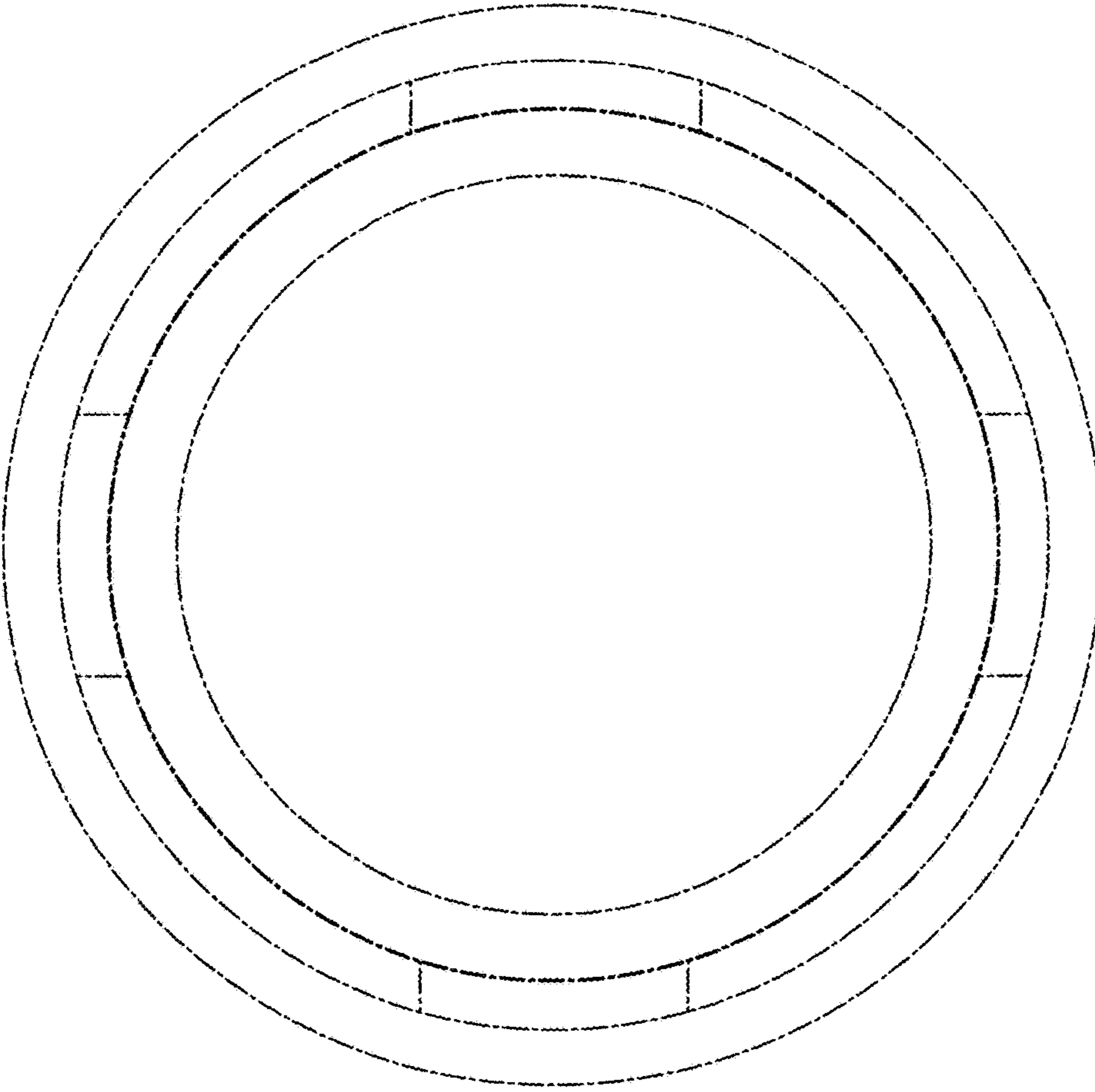


Fig. 1

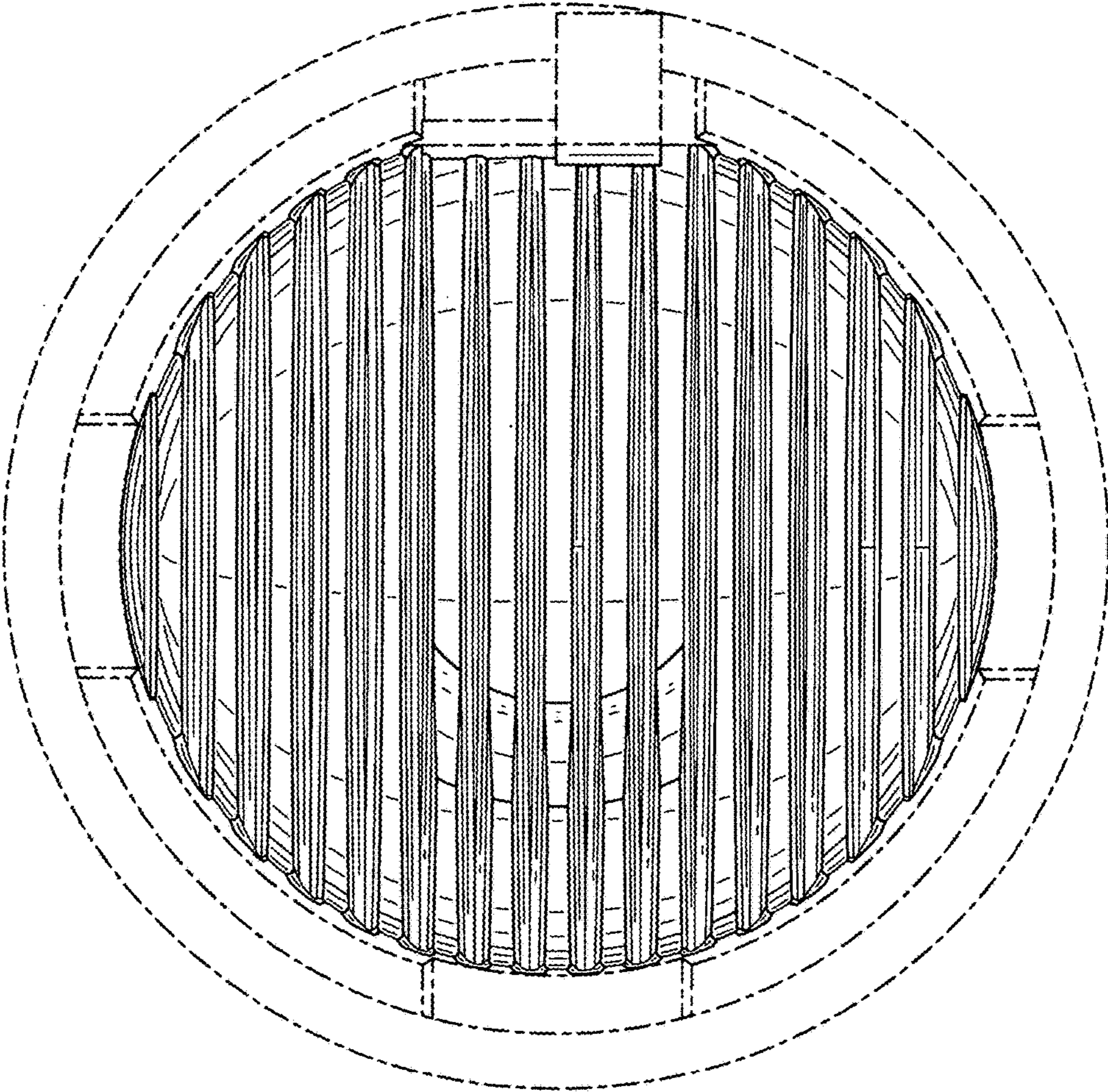


Fig. 2

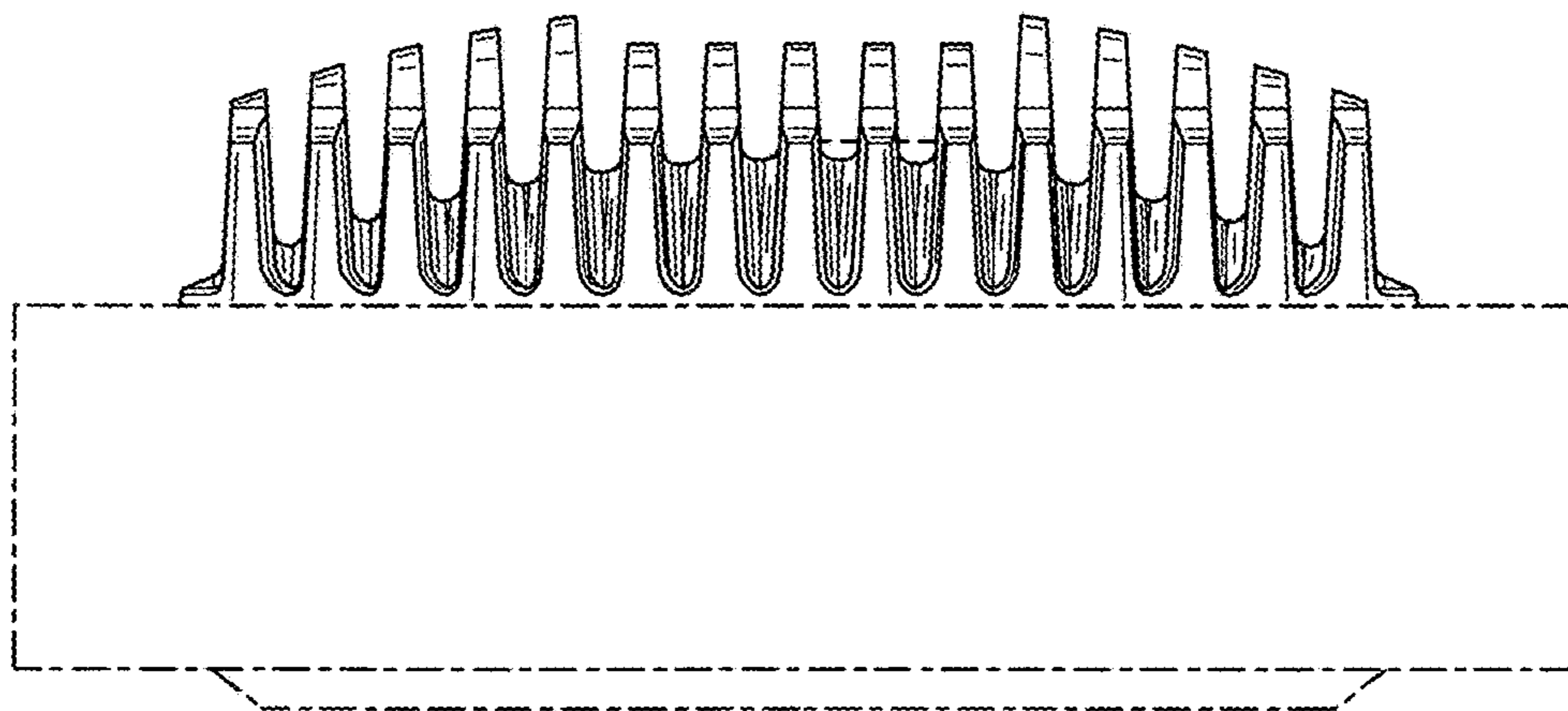


Fig. 3

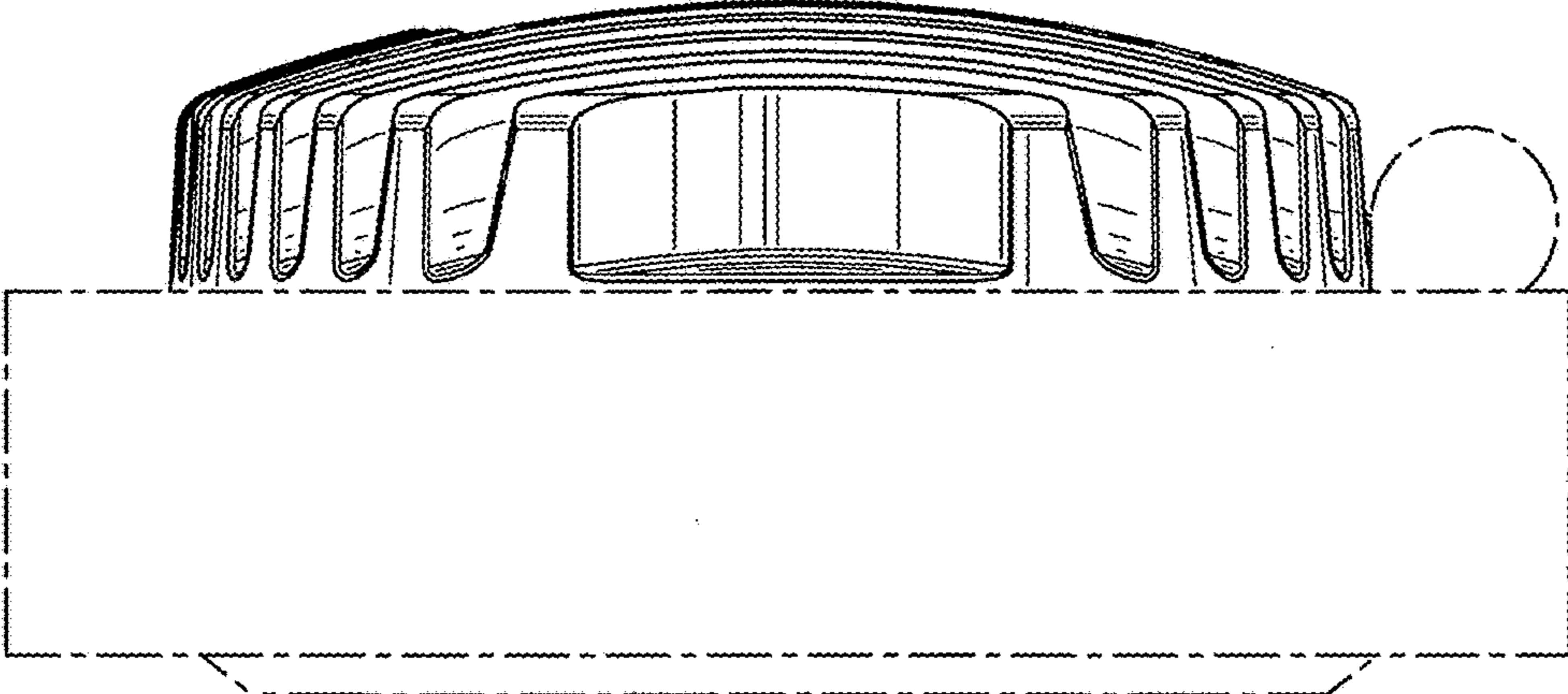


Fig. 4

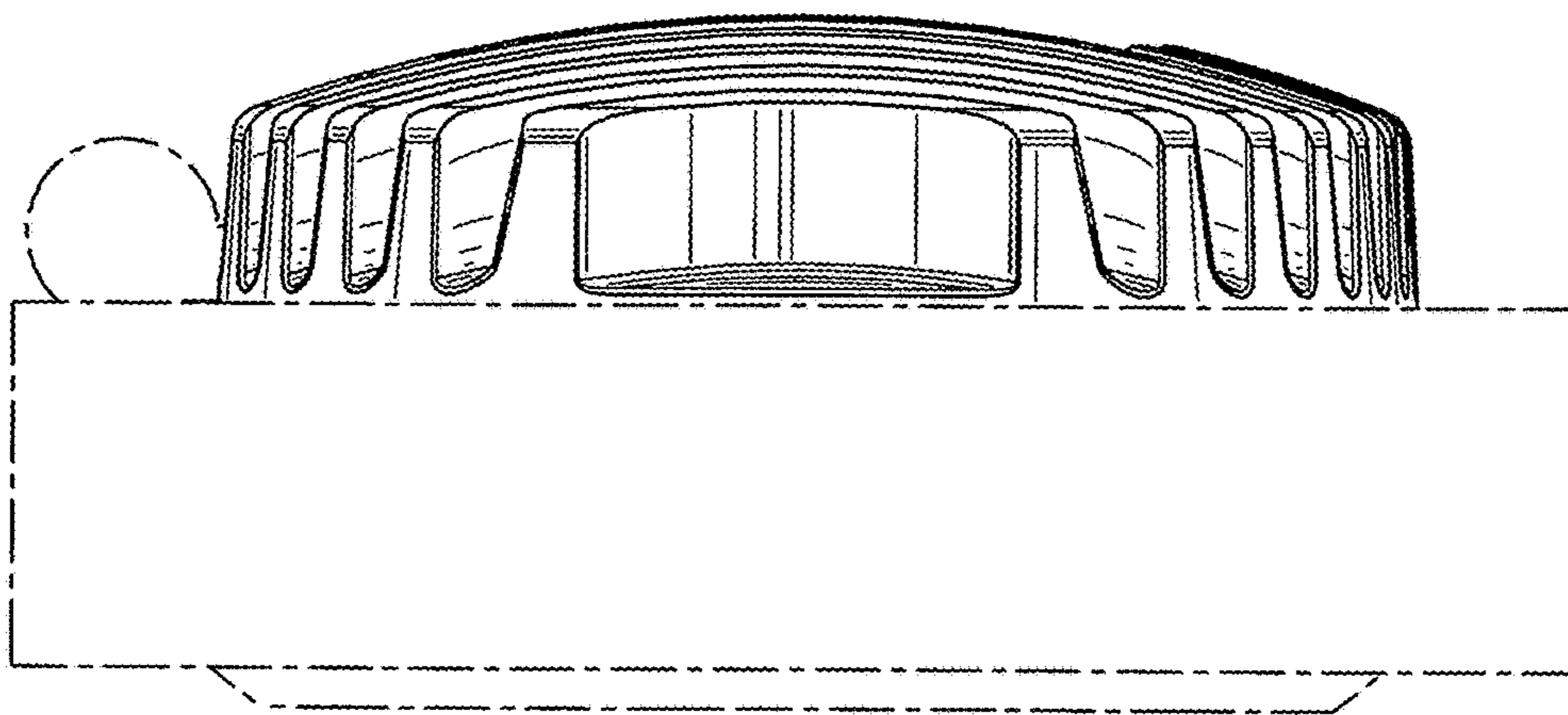


Fig. 5

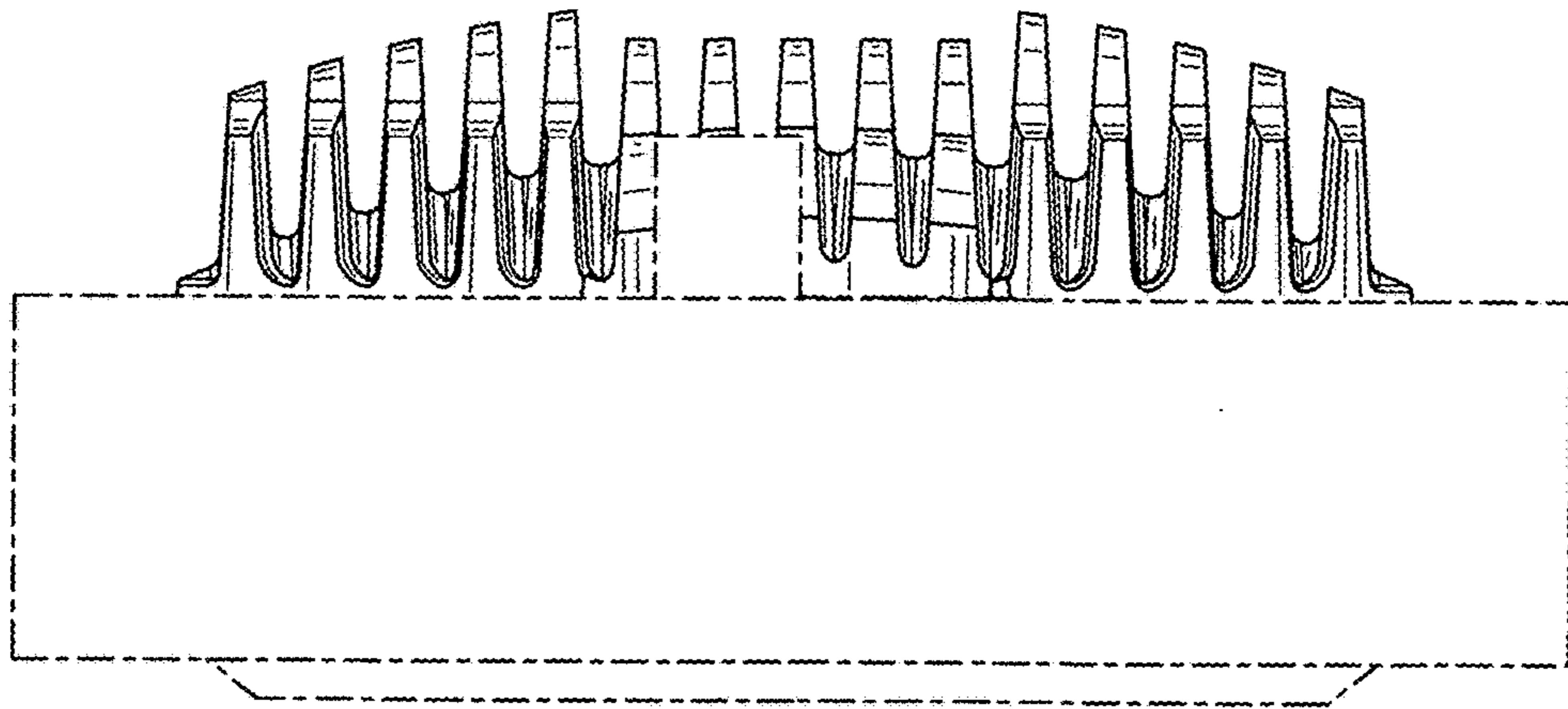


Fig. 6

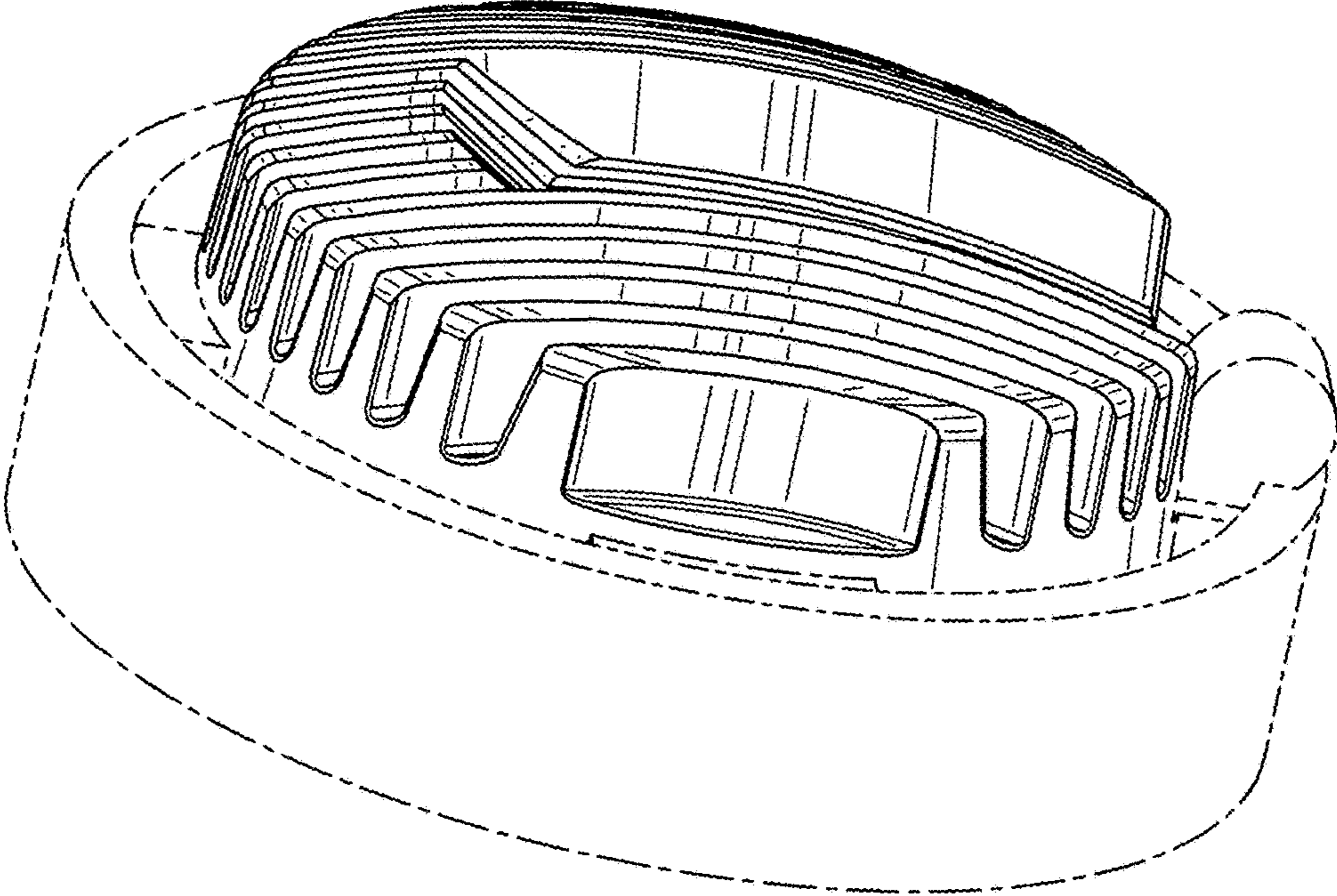


Fig. 7



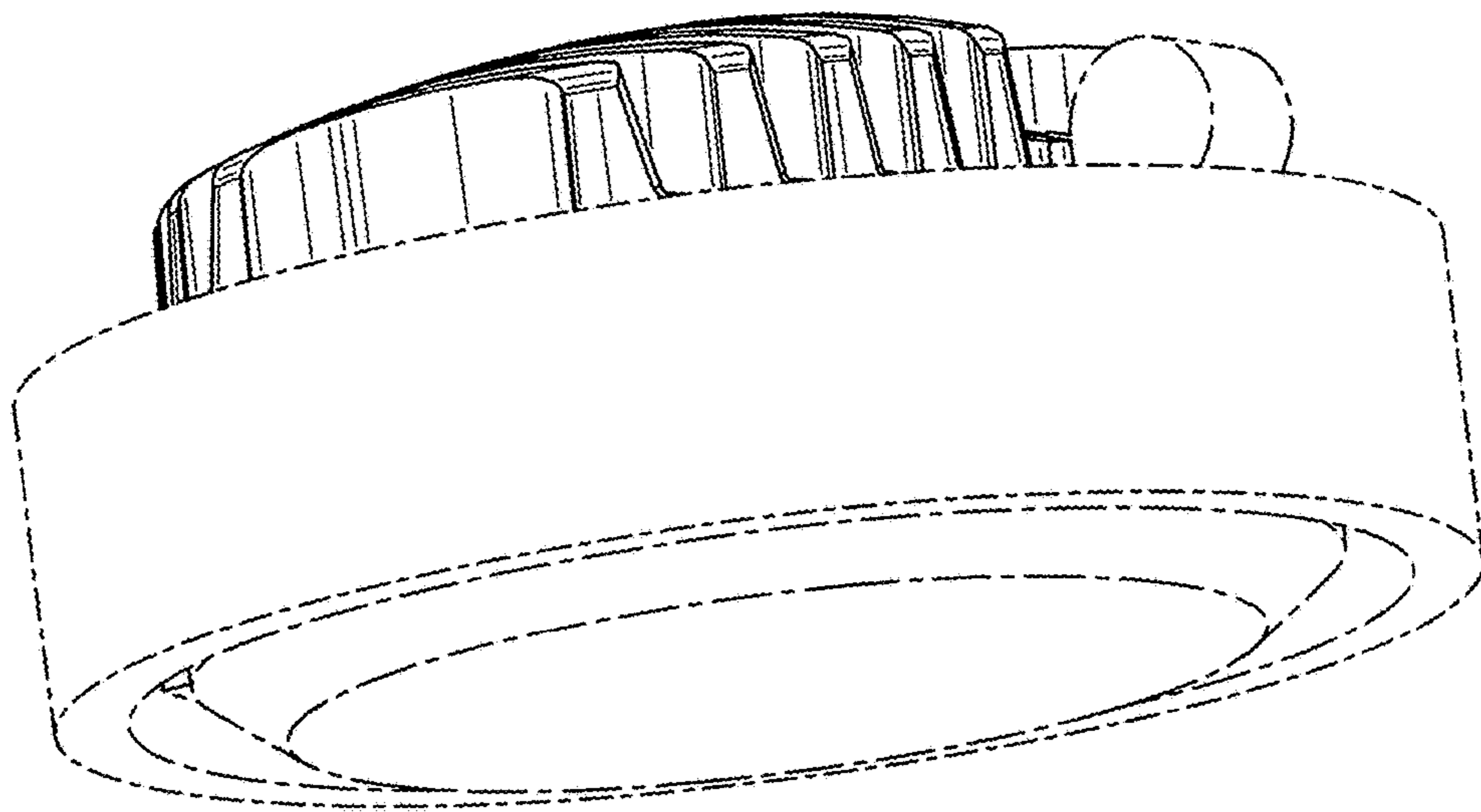


Fig. 8

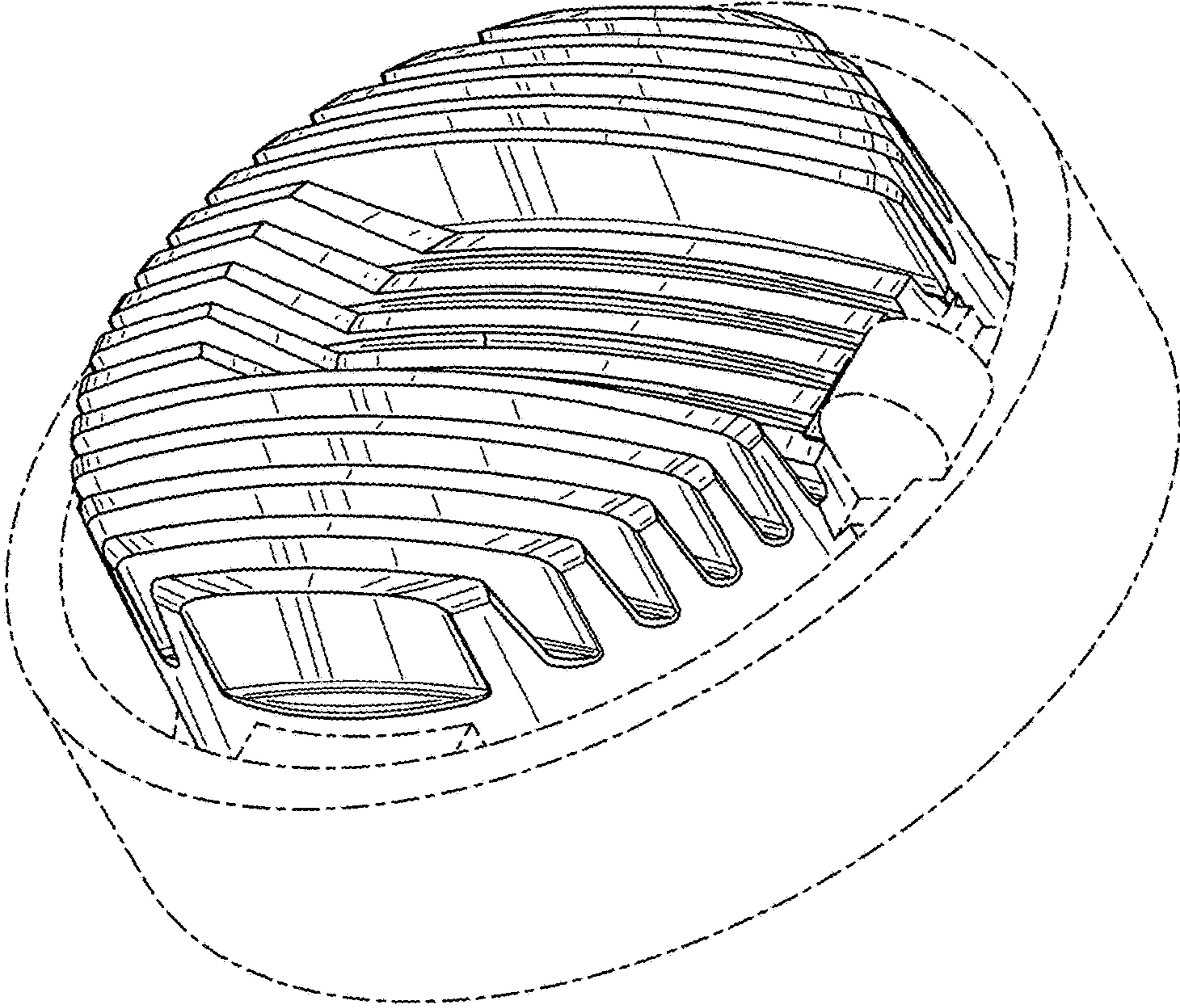


Fig. 9

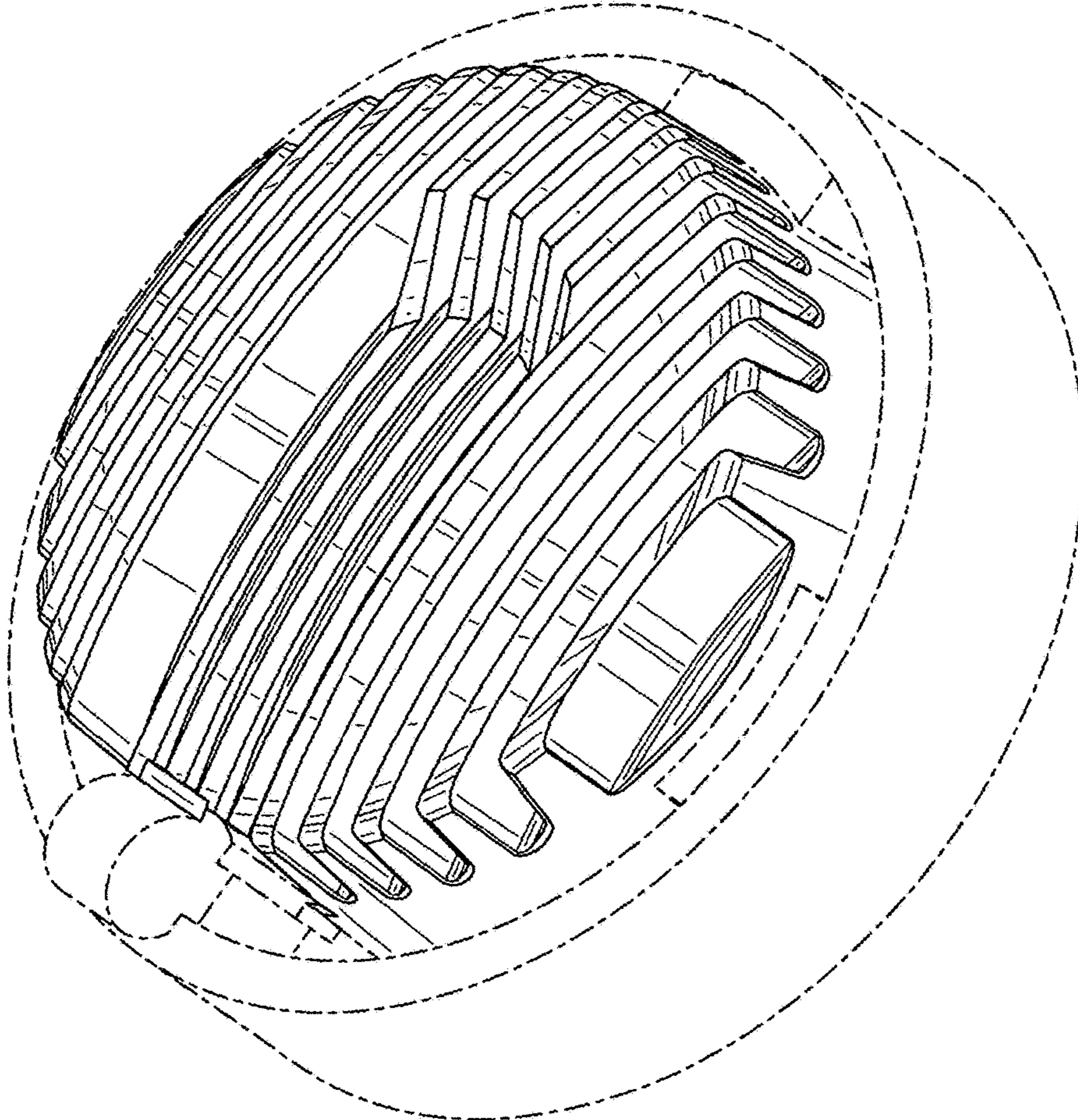


Fig. 10

UNITED STATES PATENT AND TRADEMARK OFFICE  
**CERTIFICATE OF CORRECTION**

PATENT NO. : D864,880 S  
APPLICATION NO. : 29/636123  
DATED : October 29, 2019  
INVENTOR(S) : Artem Mishin

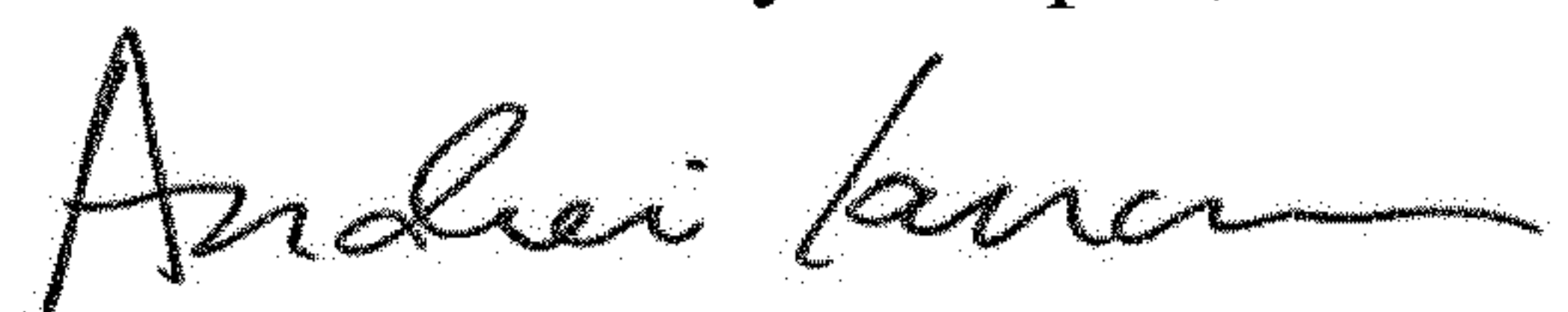
Page 1 of 1

It is certified that error appears in the above-identified patent and that said Letters Patent is hereby corrected as shown below:

On the Title Page

Item (72) Inventor, change "Artem Mishim" to -- Artem Mishin --.

Signed and Sealed this  
Fourteenth Day of April, 2020



Andrei Iancu  
*Director of the United States Patent and Trademark Office*