



US00D864876S

(12) **United States Design Patent** (10) **Patent No.:** **US D864,876 S**
Sakaizawa et al. (45) **Date of Patent:** **** Oct. 29, 2019**

(54) **ELECTRICAL CONNECTOR**

FOREIGN PATENT DOCUMENTS

(71) Applicant: **HIROSE ELECTRIC CO., LTD.**,
Tokyo (JP)

JP 2017-152308 8/2017
JP 2017152307 A * 8/2017 H01R 13/639

(72) Inventors: **Tadashi Sakaizawa**, Tokyo (JP);
Kenichi Naganuma, Tokyo (JP)

Primary Examiner — Angela J Lee
Assistant Examiner — Shawn T Gingrich
(74) *Attorney, Agent, or Firm* — Rankin, Hill & Clark
LLP

(73) Assignee: **HIROSE ELECTRIC CO., LTD.**,
Tokyo (JP)

(57) **CLAIM**

(**) Term: **15 Years**

The ornamental design for an electrical connector, as shown and described.

(21) Appl. No.: **29/661,457**

DESCRIPTION

(22) Filed: **Aug. 28, 2018**

Related U.S. Application Data

(62) Division of application No. 29/566,624, filed on Jun. 1, 2016, now Pat. No. Des. 852,142.

FIG. 1 is a perspective view of the front, top and right side of the electrical connector according to the first embodiment, showing our new design;

FIG. 2 is a perspective view of the front, bottom and right side thereof;

FIG. 3 is a perspective view of the rear, top and left side thereof;

FIG. 4 is a perspective view of the rear, bottom and left side thereof;

FIG. 5 is a front view thereof;

FIG. 6 is a rear view thereof;

FIG. 7 is a left side view thereof;

FIG. 8 is a right side view thereof;

FIG. 9 is a top plan view thereof;

FIG. 10 is a bottom view thereof;

FIG. 11 is a perspective view of the front, top and right side of the electrical connector according to the second embodiment, showing our new design;

FIG. 12 is a perspective view of the front, bottom and right side thereof;

FIG. 13 is a perspective view of the rear, top and left side thereof;

FIG. 14 is a perspective view of the rear, bottom and left side thereof;

FIG. 15 is a front view thereof;

FIG. 16 is a rear view thereof;

FIG. 17 is a left side view thereof;

FIG. 18 is a right side view thereof;

(Continued)

(30) **Foreign Application Priority Data**

Dec. 3, 2015 (JP) 2015-027049

Dec. 3, 2015 (JP) 2015-027050

Dec. 3, 2015 (JP) 2015-027051

(51) **LOC (12) Cl.** **13-03**

(52) **U.S. Cl.**
USPC **D13/147**

(58) **Field of Classification Search**
USPC D13/101, 103, 110, 112, 117, 118, 120,
D13/123, 129-133, 145-147, 149, 151,
D13/153-155, 173, 183, 199
(Continued)

(56) **References Cited**

U.S. PATENT DOCUMENTS

D427,150 S * 6/2000 Kuo D13/147

D430,540 S * 9/2000 Nishio D13/147

(Continued)

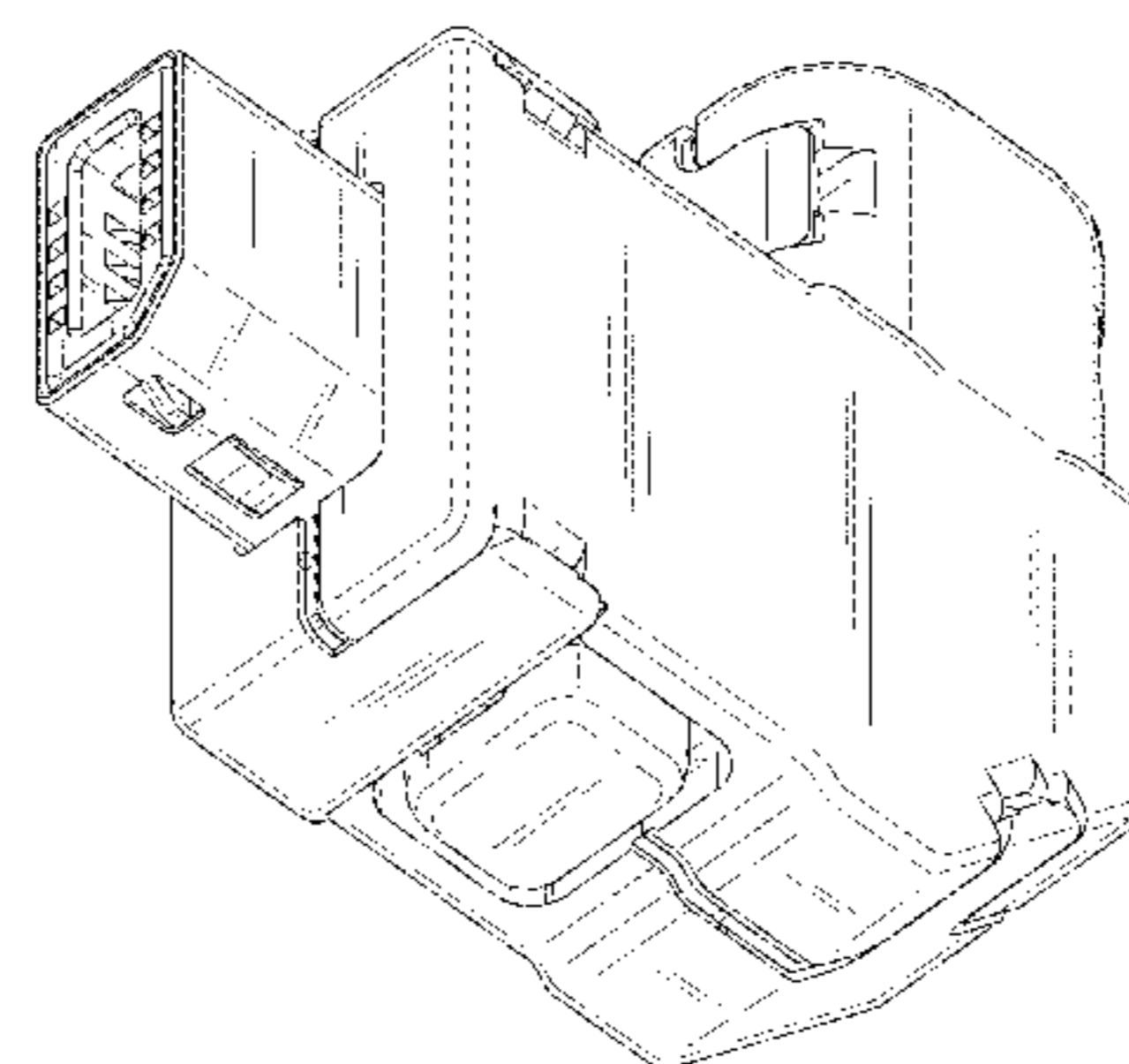
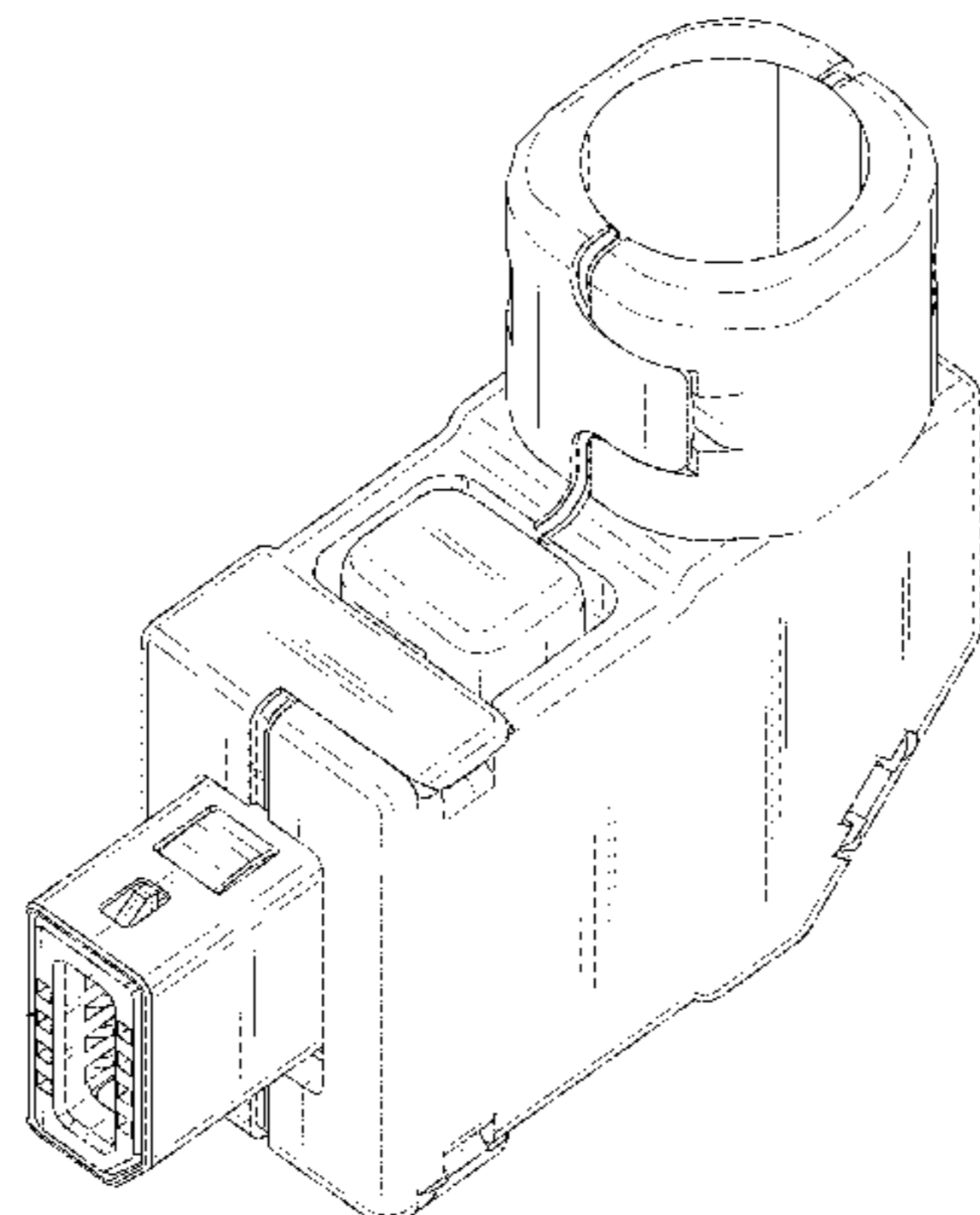


FIG. 19 is a top plan view thereof; and, FIG. 20 is a bottom view thereof. The broken line showing of the electrical connector is for the purpose of illustrating portions of the electrical connector and forms no part of the claimed design.

1 Claim, 16 Drawing Sheets

(58) **Field of Classification Search**

CPC H01R 12/00; H01R 12/70; H01R 12/707; H01R 12/72; H01R 13/62; H01R 13/66; H01R 13/627; H01R 13/639; H01R 13/648; H01R 13/658; H01R 24/00; H01R 24/06; H01R 25/00; H01R 13/6581; H01R 13/6582

See application file for complete search history.

(56) **References Cited**

U.S. PATENT DOCUMENTS

D443,859 S 6/2001 Hogan
D469,741 S * 2/2003 Shimojo D13/133

D554,065 S 10/2007 Ho et al.
D568,821 S 5/2008 Ashida et al.
D606,944 S * 12/2009 Mehnert D13/133
D615,040 S 5/2010 Slippy et al.
D622,216 S * 8/2010 Rizzo D13/133
D624,021 S * 9/2010 Wang D13/147
D636,730 S 4/2011 Sasaki et al.
D638,361 S 5/2011 Sasaki et al.
D649,118 S 11/2011 Kawakami et al.
D688,203 S * 8/2013 Shimizu D13/147
D704,140 S 5/2014 Little et al.
D704,664 S 5/2014 Kawakami
D708,579 S 7/2014 Masumoto et al.
D732,476 S * 6/2015 Ammann D13/146
D838,673 S * 1/2019 Naganuma D13/147
2009/0023336 A1 1/2009 Kondo et al.
2018/0083390 A1 3/2018 Sutter et al.
2018/0358755 A1 * 12/2018 Sakaizawa H01R 13/6582
2019/0013624 A1 * 1/2019 Sakaizawa H01R 13/6581
2019/0058289 A1 * 2/2019 Sakaizawa H01R 13/639
2019/0115697 A1 * 4/2019 Sakaizawa H01R 13/6471
2019/0140392 A1 * 5/2019 Zou H01R 13/5025

* cited by examiner

Fig. 1

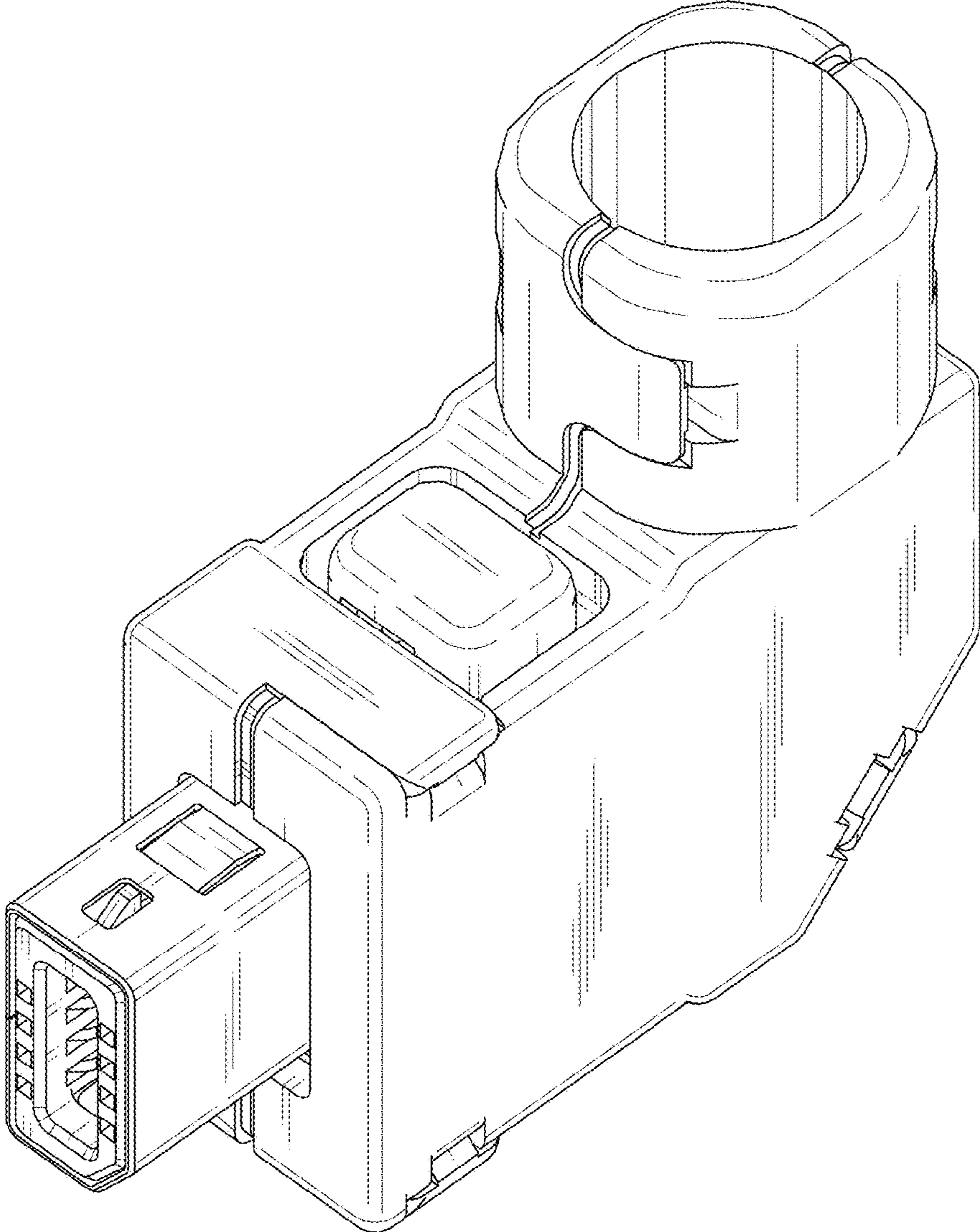


Fig. 2

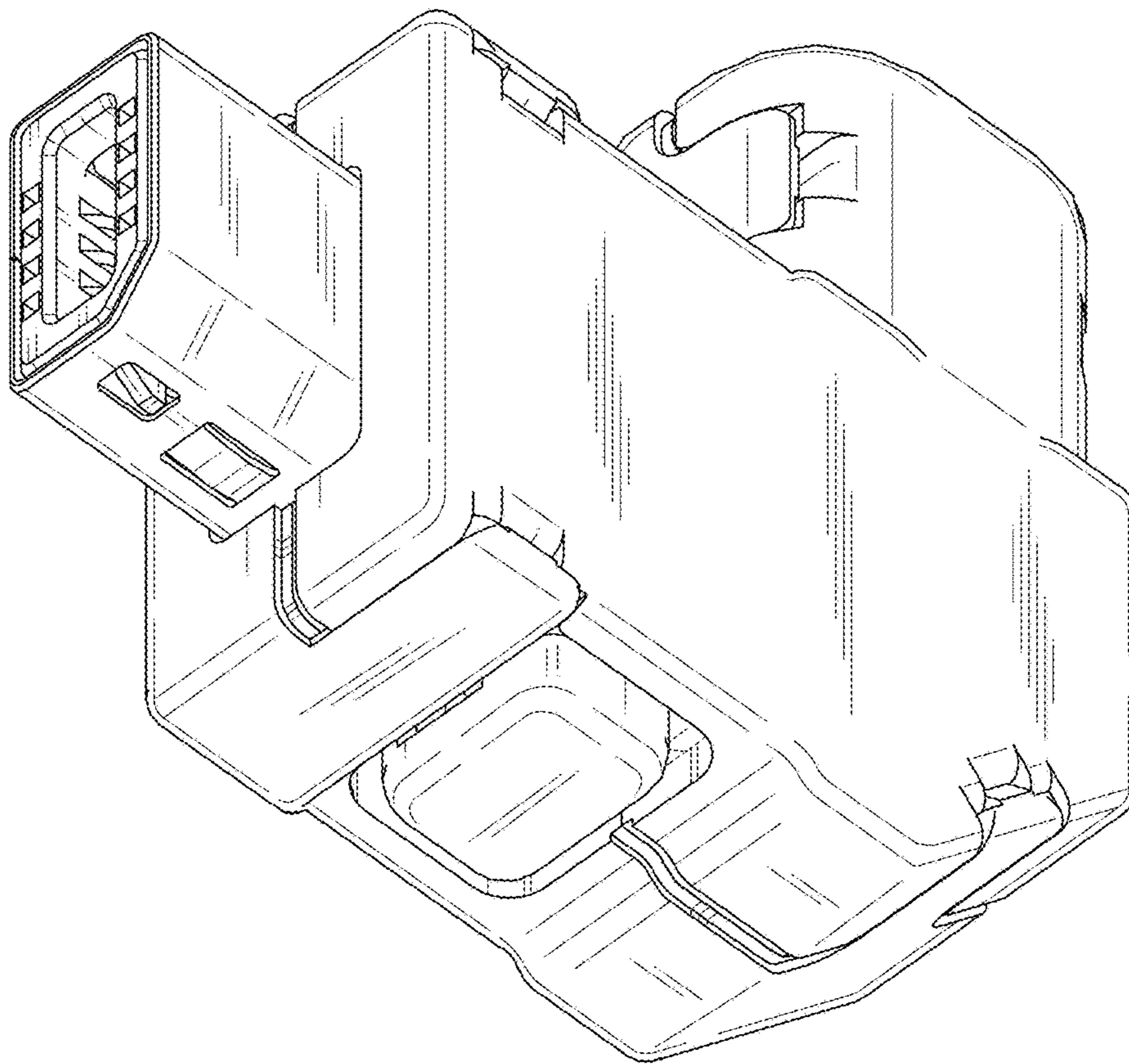


Fig. 3

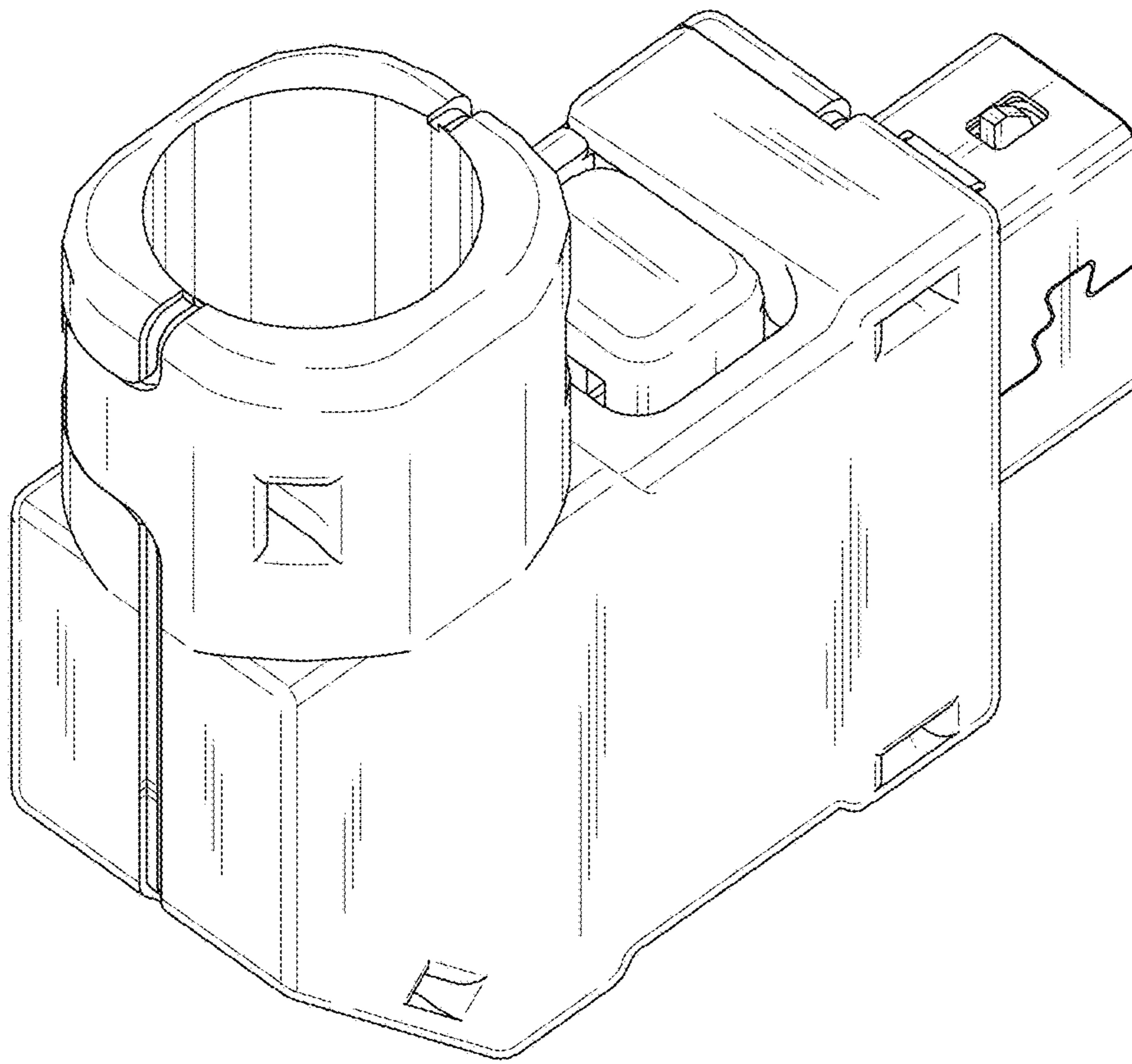


Fig. 4

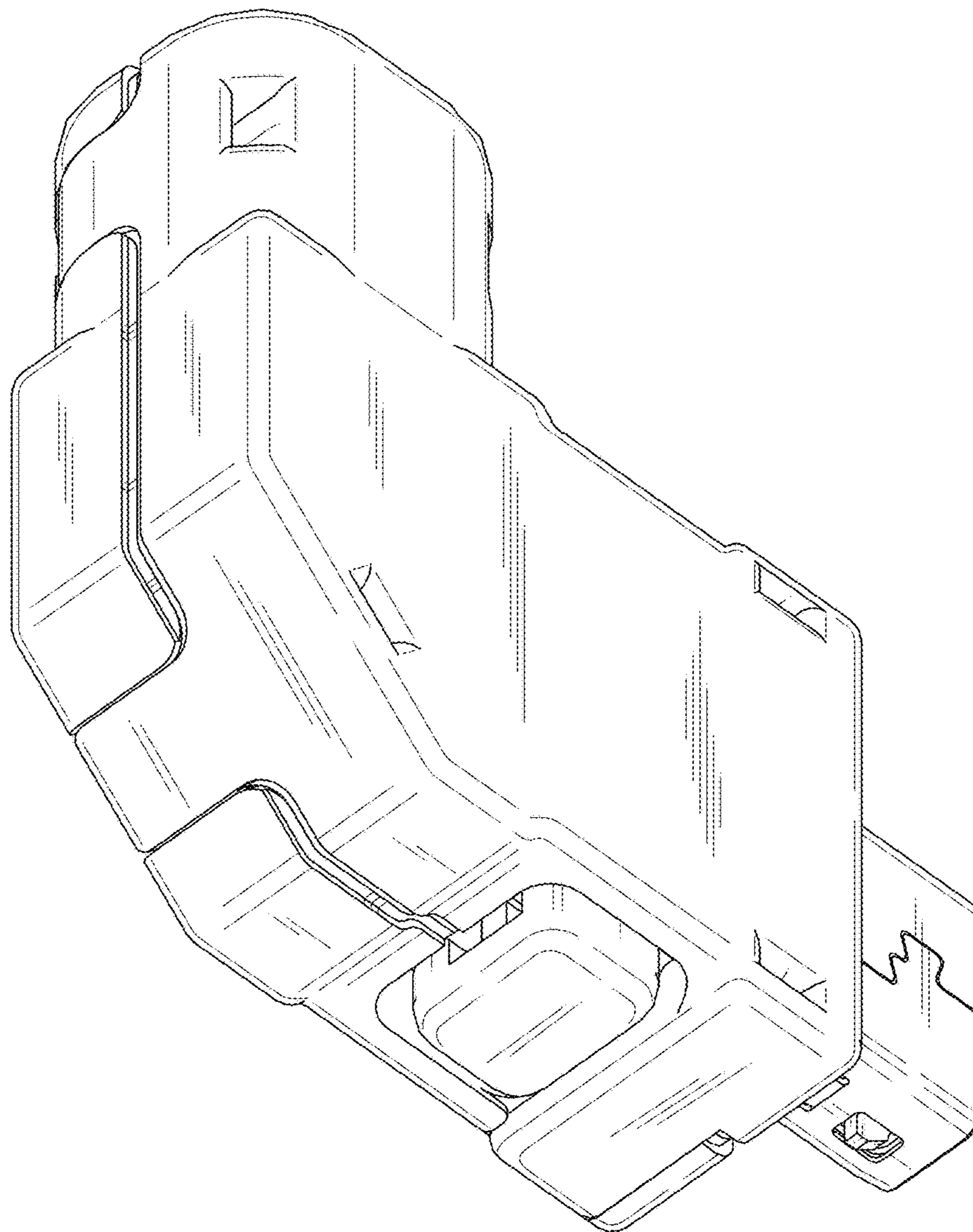


Fig. 5

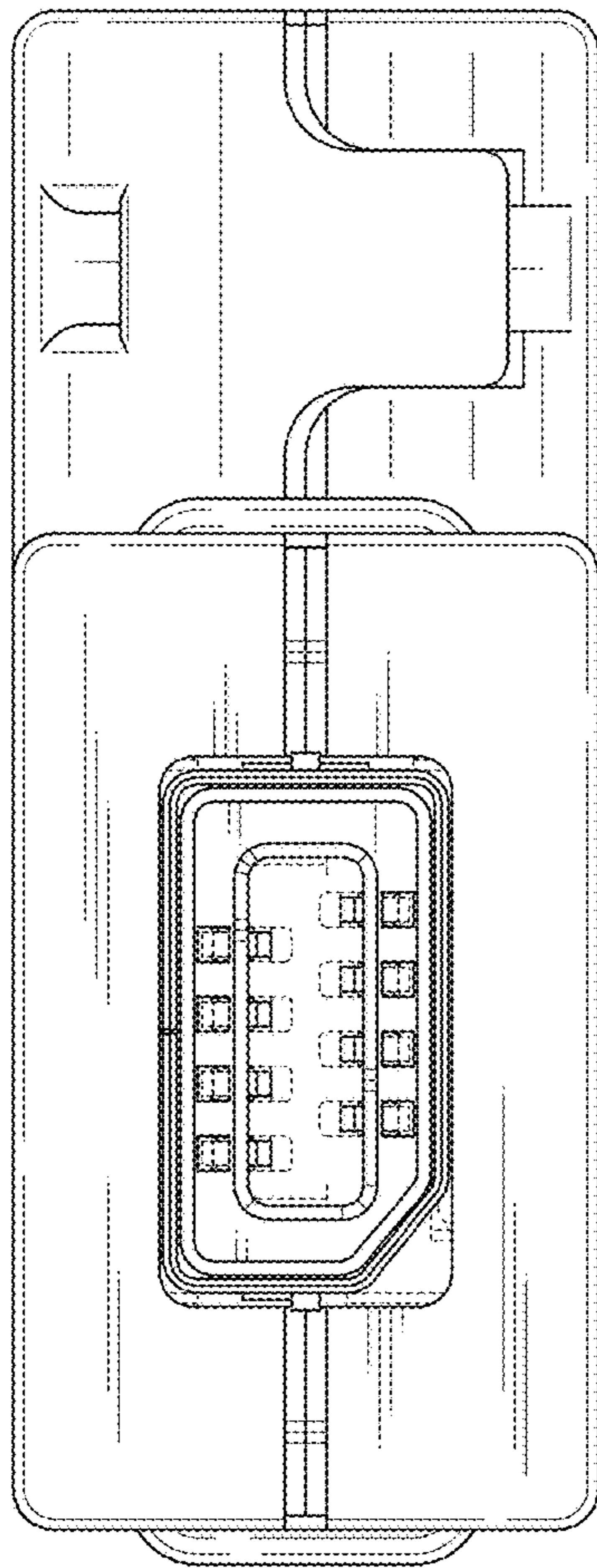


Fig. 6

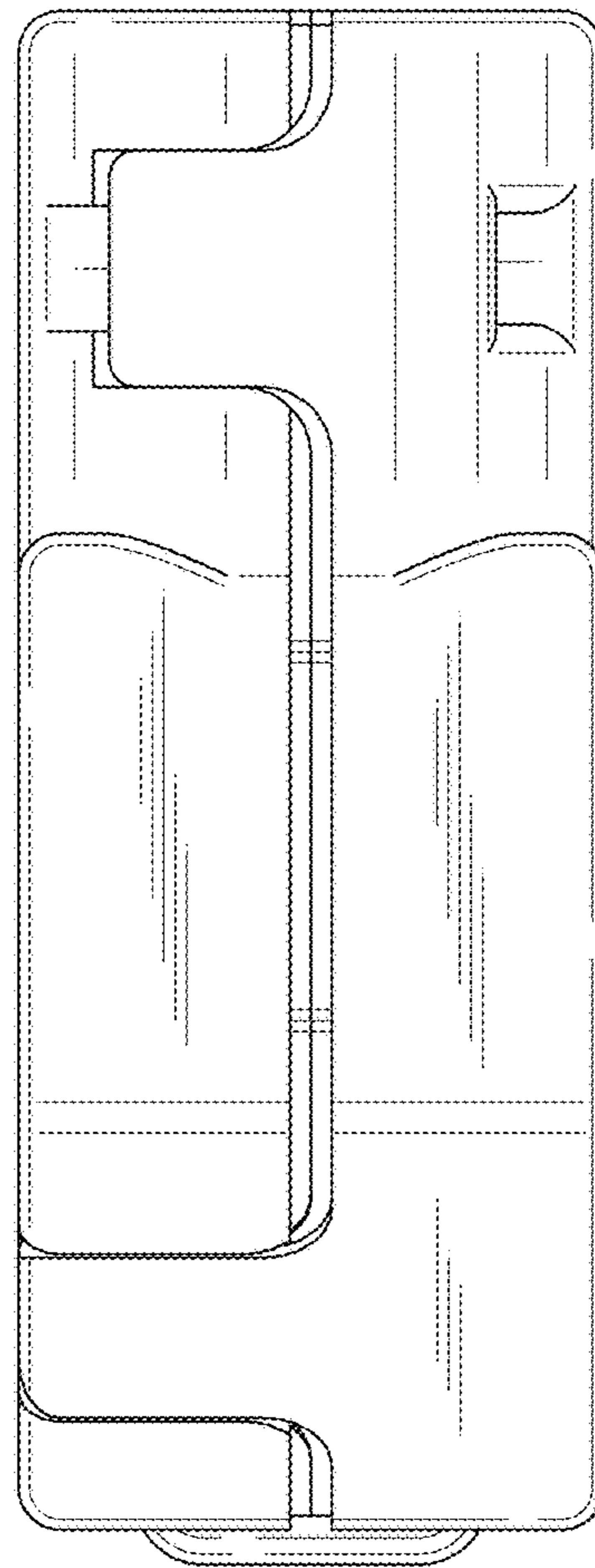


Fig. 7

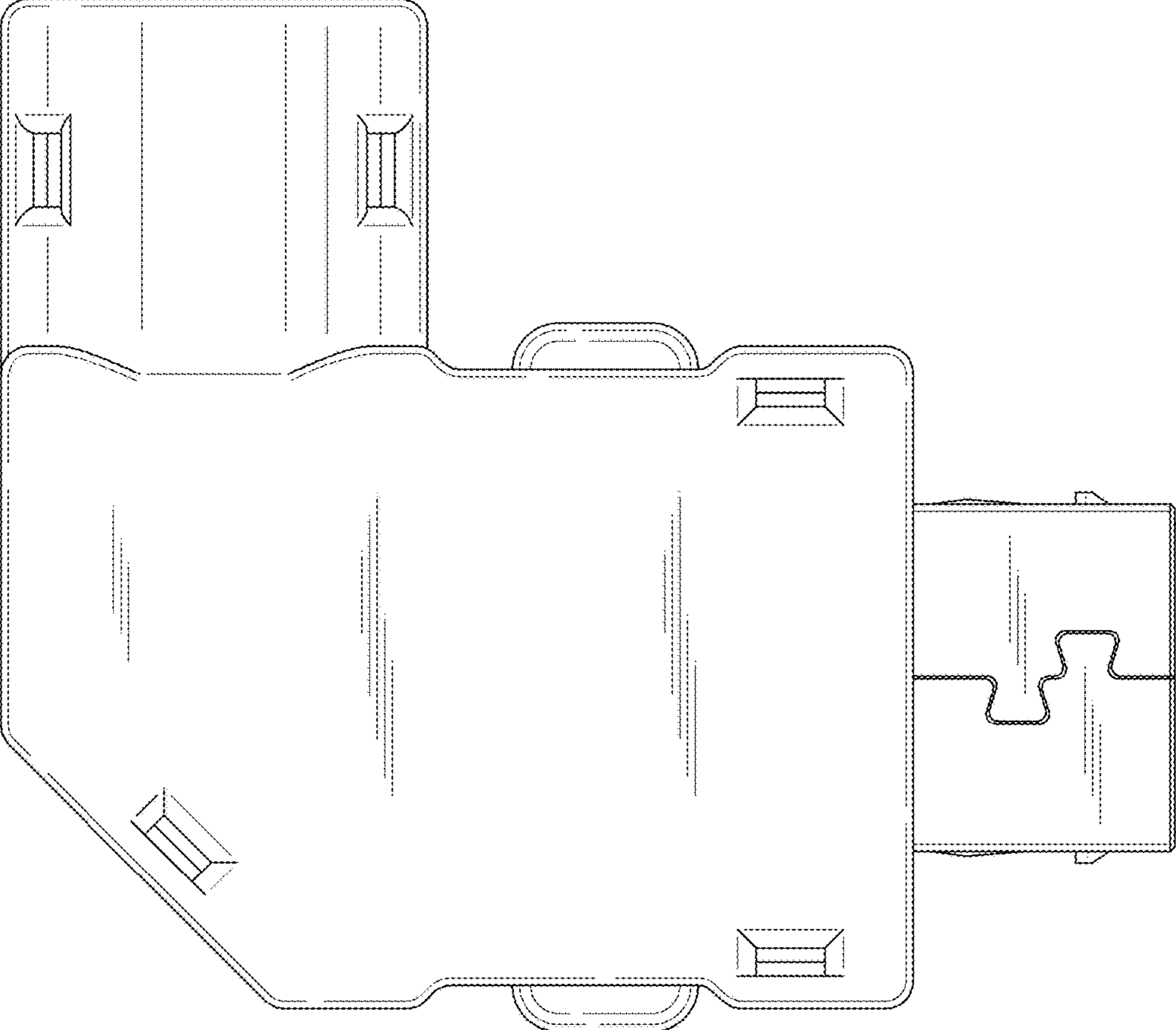


Fig. 8

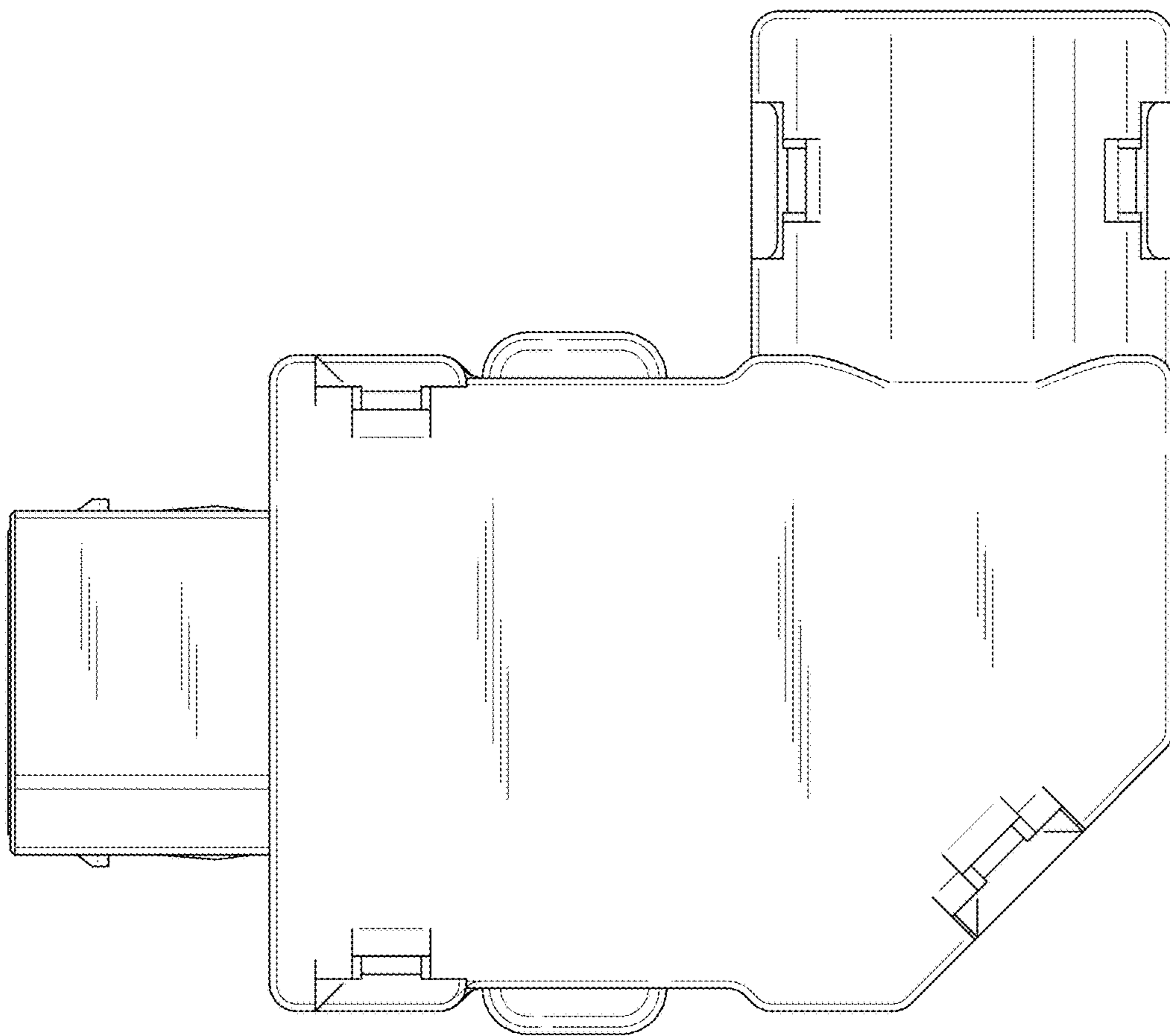


Fig. 9

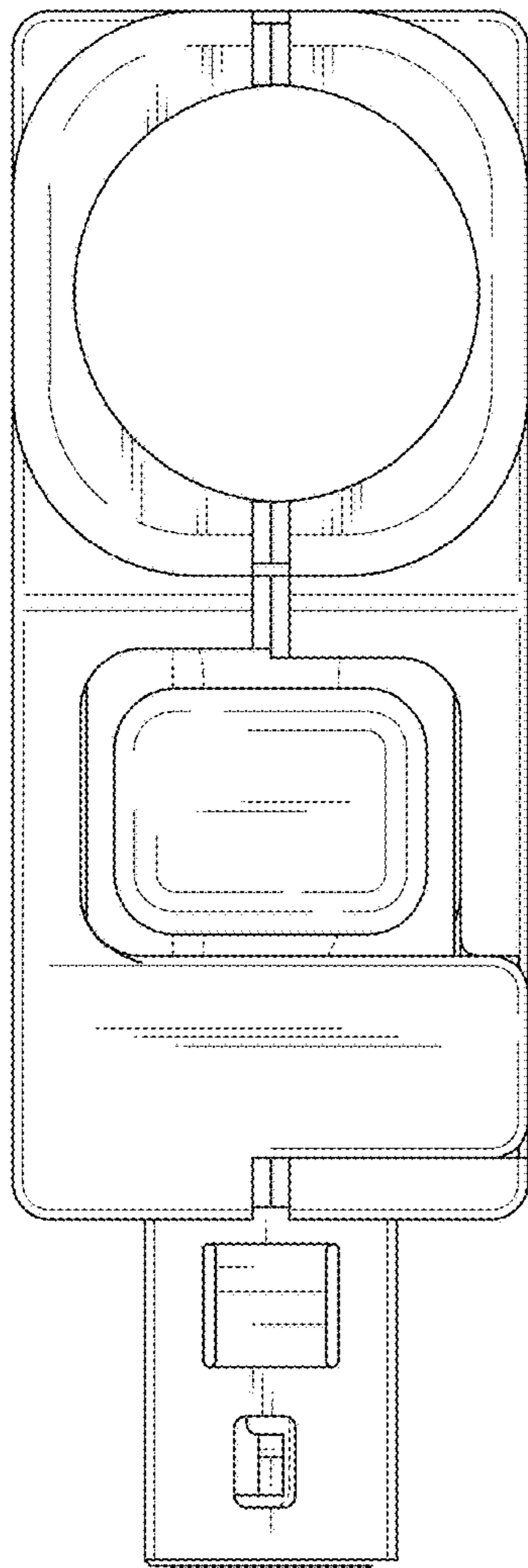


Fig. 10

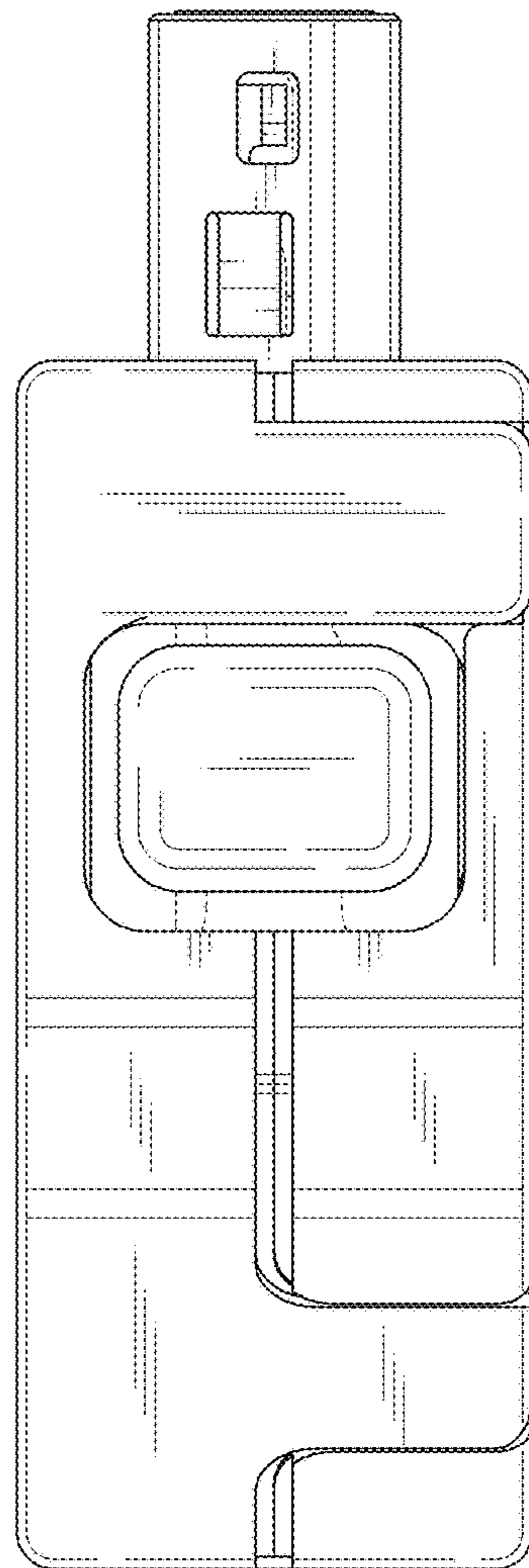


Fig. 11

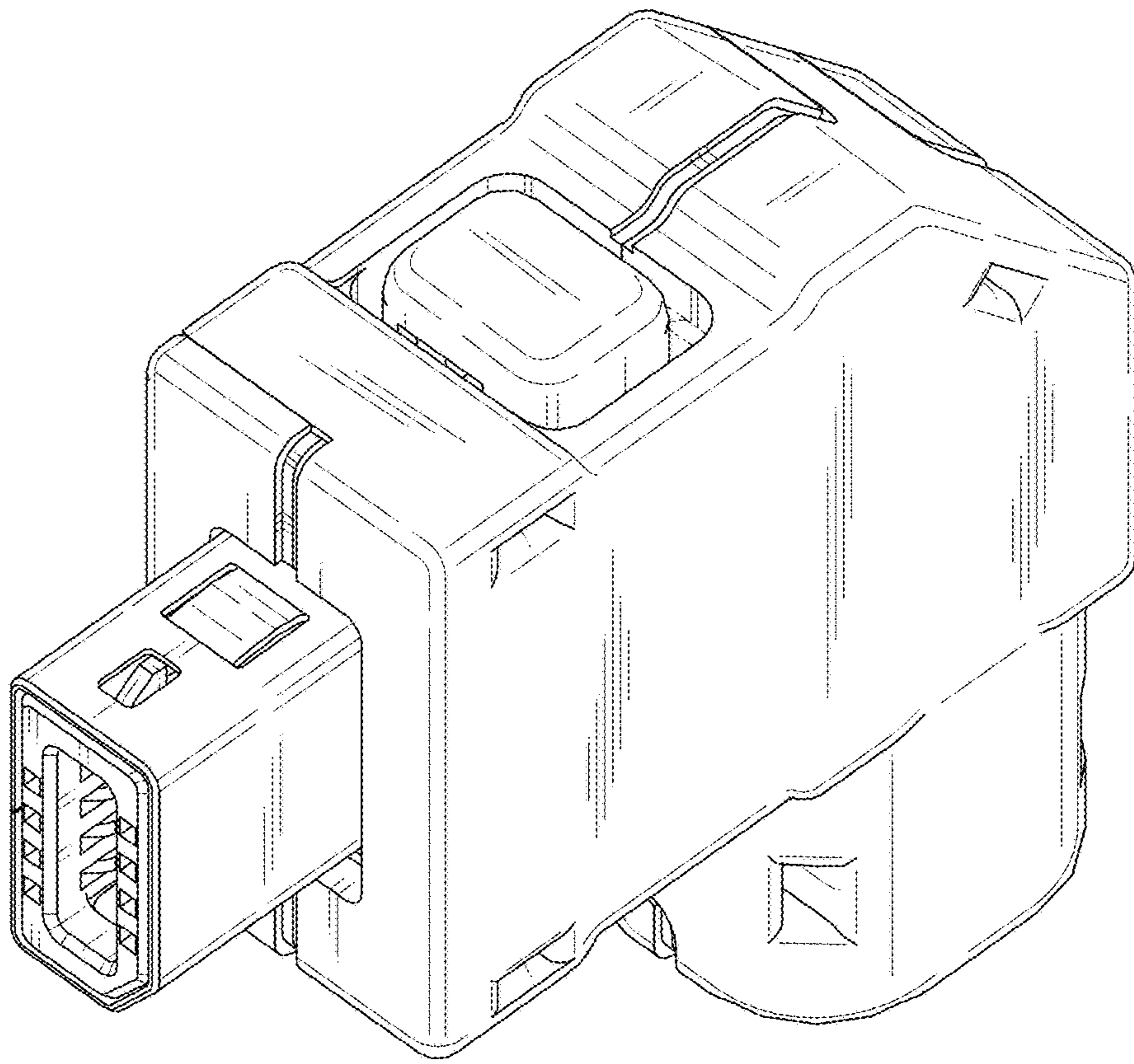


Fig. 12

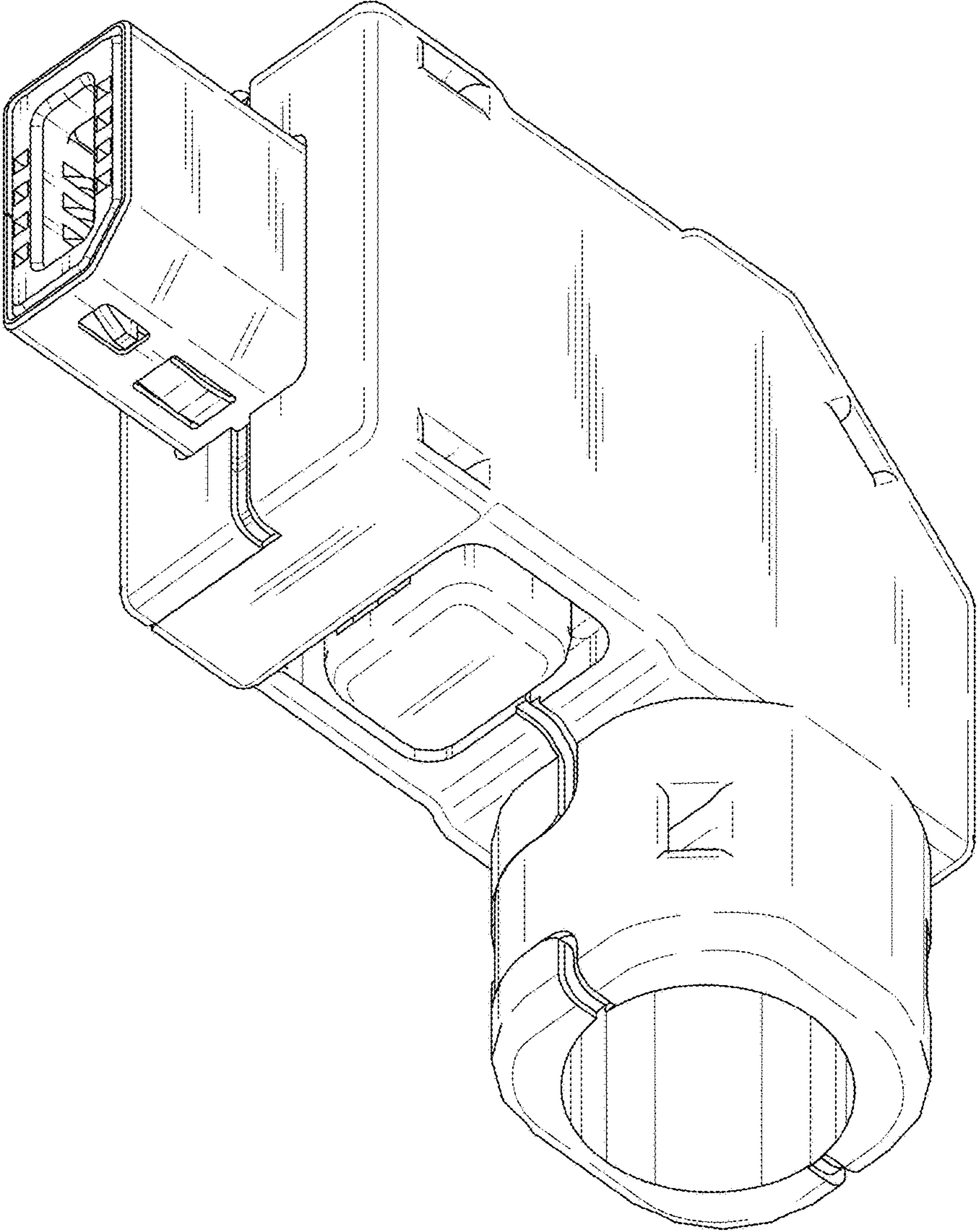


Fig. 13

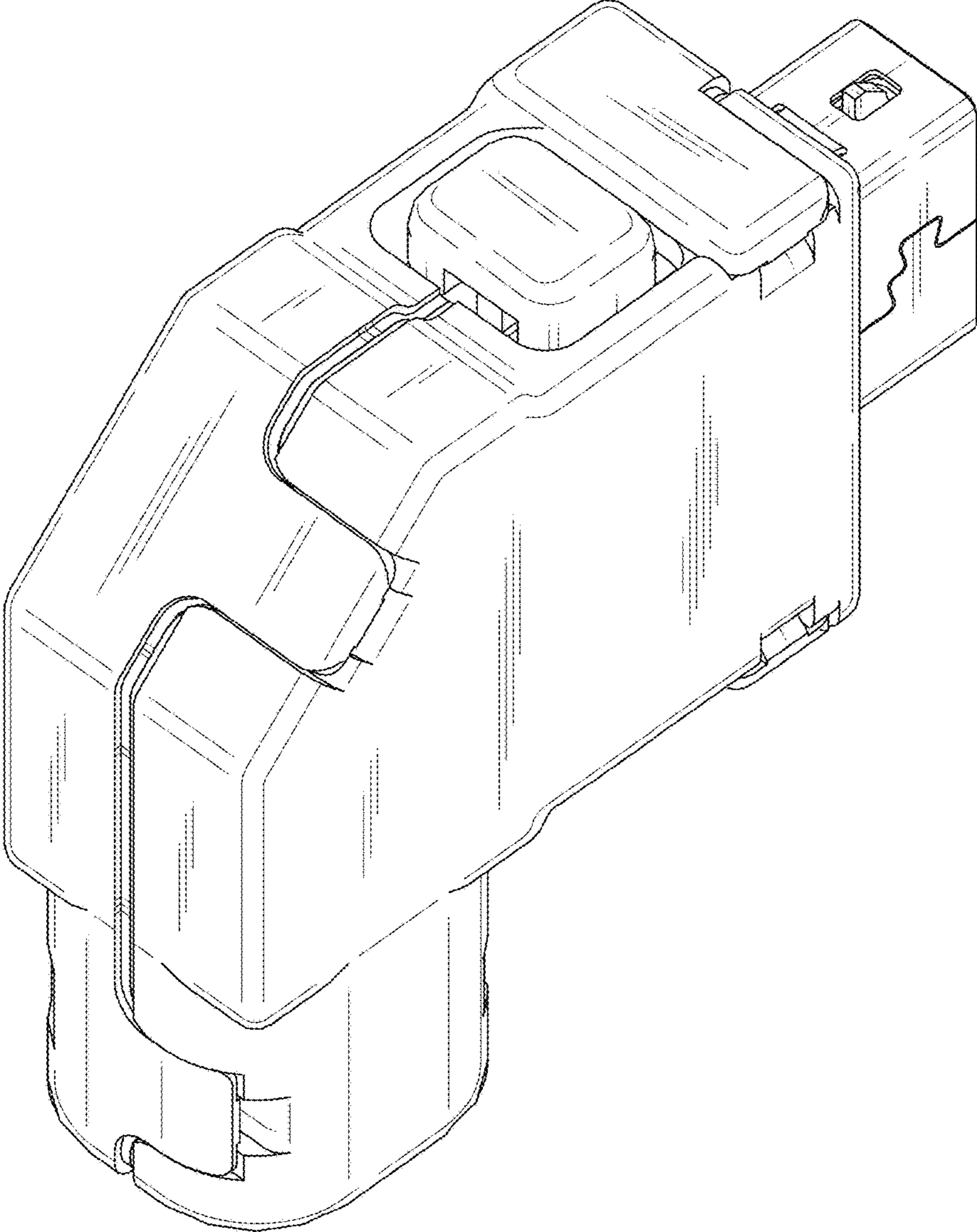


Fig. 14

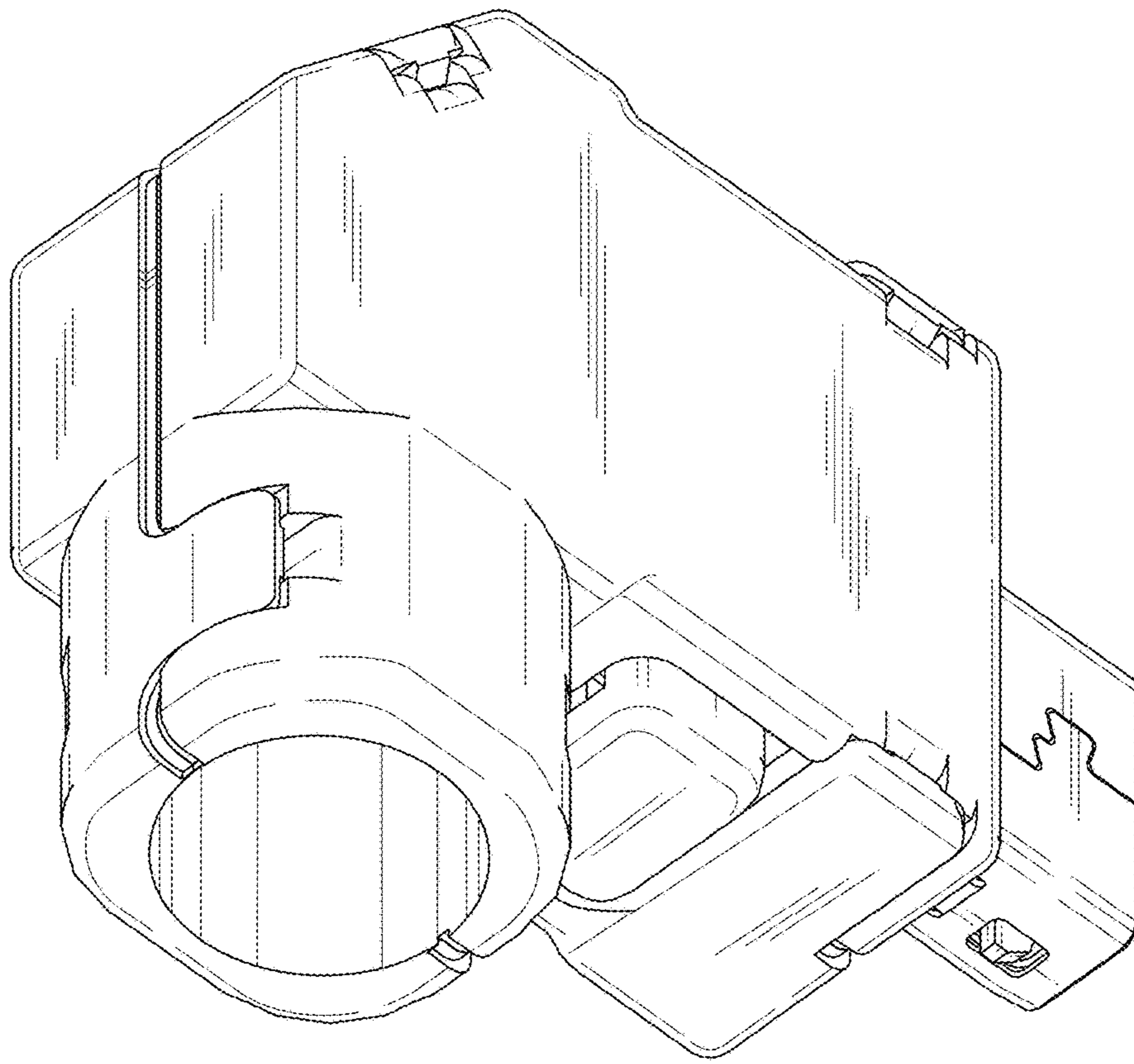


Fig. 15

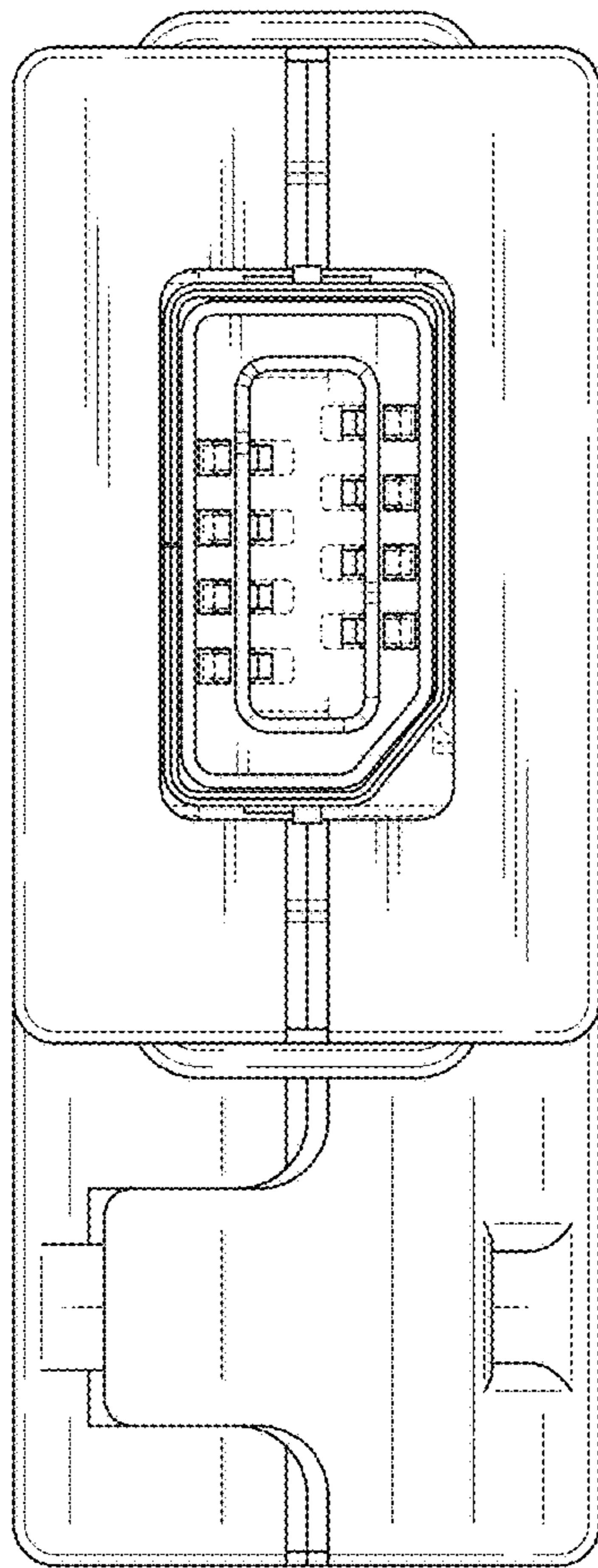


Fig. 16

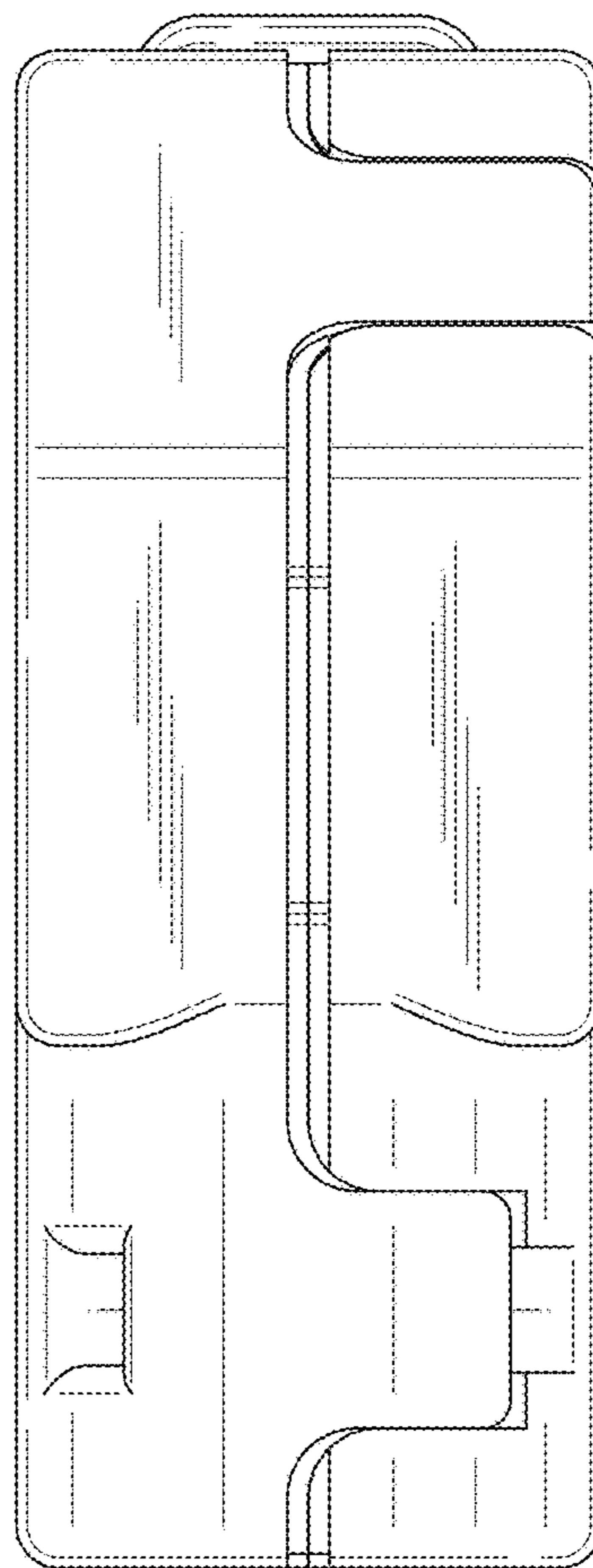


Fig. 17

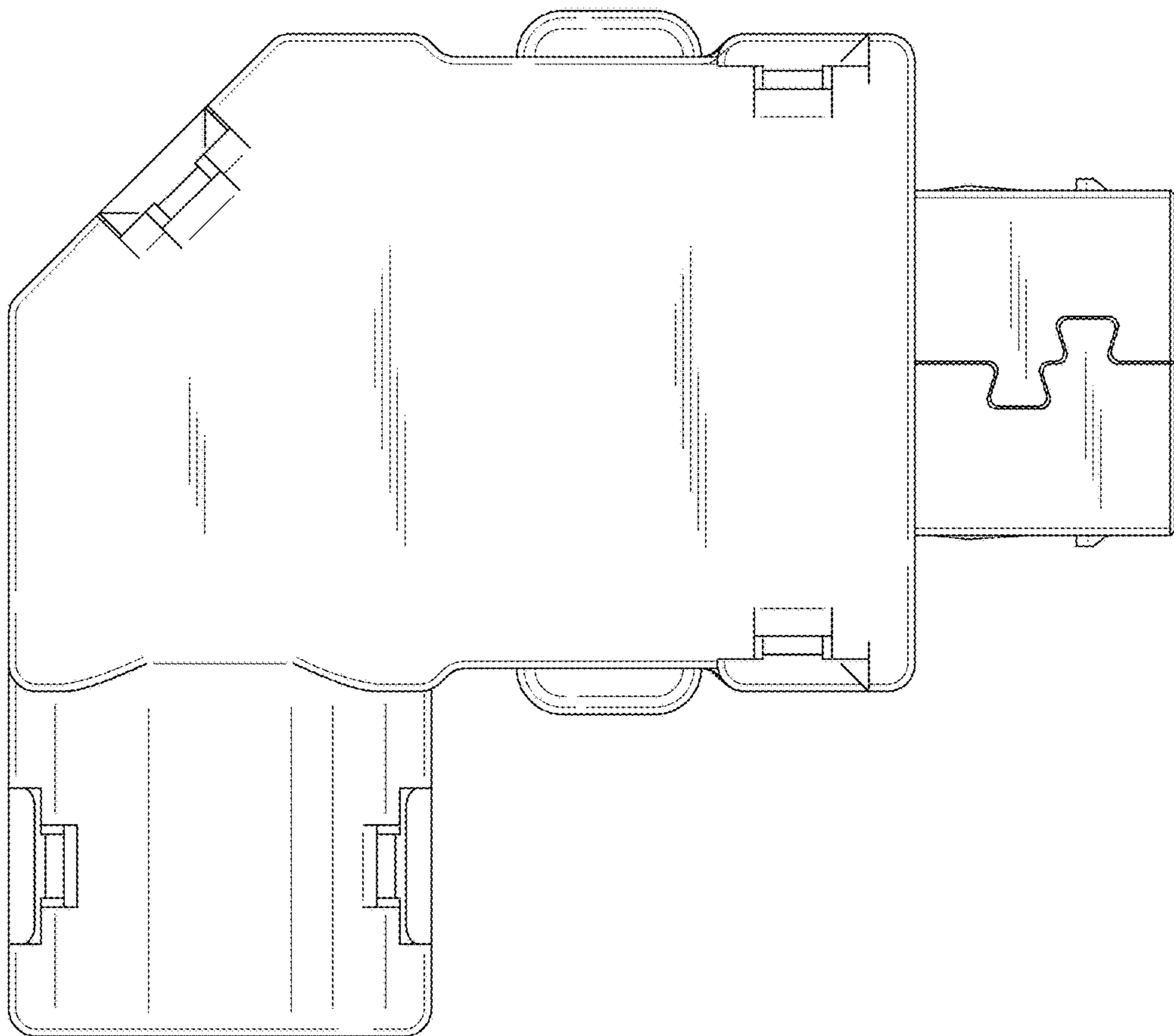


Fig. 18

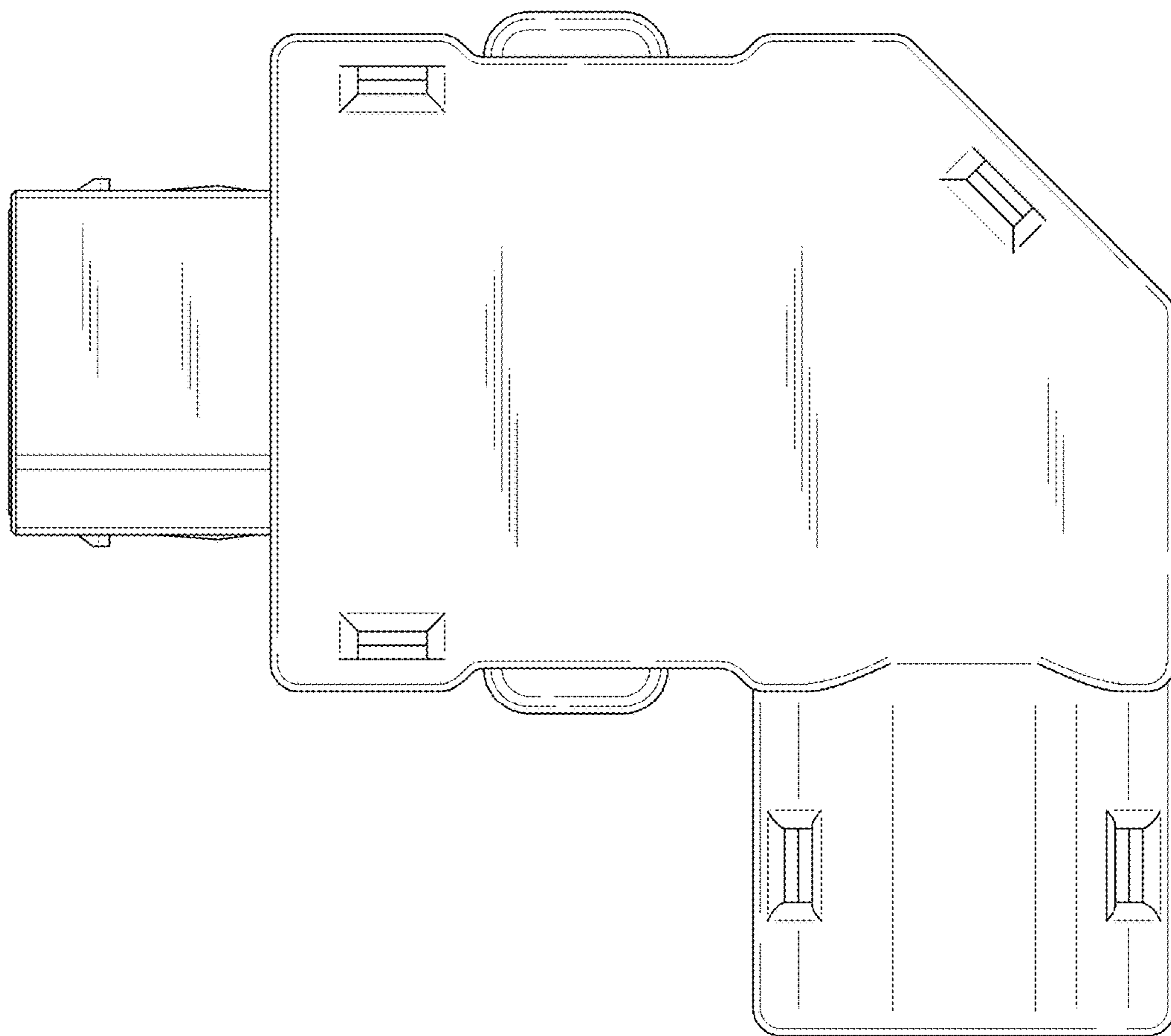


Fig. 19

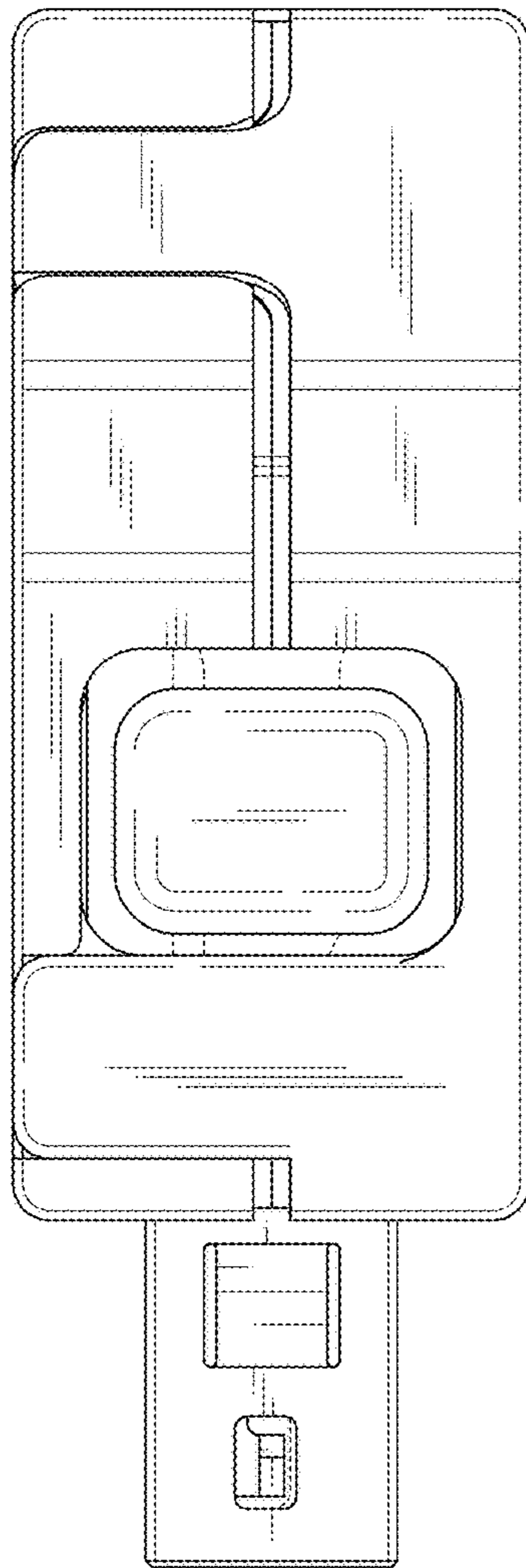


Fig. 20

