



US00D864875S

(12) **United States Design Patent**  
**Zhang**

(10) **Patent No.:** **US D864,875 S**

(45) **Date of Patent:** **\*\* Oct. 29, 2019**

(54) **CAR CHARGER**

(71) Applicant: **NANJING YANTU AUTO SUPPLIES LTD.**, Nanjing, JiangSu Province (CN)

(72) Inventor: **Yongqing Zhang**, Nanjing (CN)

(73) Assignee: **NANJING YANTU AUTO SUPPLIES LTD.**, Nanjing, Jiangsu Province (CN)

(\*\*) Term: **15 Years**

(21) Appl. No.: **29/600,232**

(22) Filed: **Apr. 10, 2017**

(30) **Foreign Application Priority Data**

Oct. 10, 2016 (CN) ..... 2016 3 0497358

(51) **LOC (12) Cl.** ..... **13-03**

(52) **U.S. Cl.**  
USPC ..... **D13/144**

(58) **Field of Classification Search**  
USPC ..... D13/144, 107, 110, 118, 119, 120, 133,  
D13/154, 184, 199; D14/155, 217, 433;  
320/65, 107, 108, 109; 363/13, 146;  
439/300, 620, 638, 668, 669, 675, 825  
CPC ..... H01R 24/58; H01R 2201/26; H01R 31/02  
See application file for complete search history.

(56) **References Cited**

**U.S. PATENT DOCUMENTS**

- 5,007,863 A \* 4/1991 Xuan ..... H01R 31/02  
439/639
- D359,269 S \* 6/1995 Wharton ..... D13/144
- D429,689 S \* 8/2000 Barragan, Jr. .... D13/144
- D476,297 S \* 6/2003 Schwimmer ..... D13/184
- 6,612,875 B1 \* 9/2003 Liao ..... H01R 13/2421  
439/638
- D533,838 S \* 12/2006 Chen ..... D13/144

- D544,438 S \* 6/2007 Hussaini ..... D13/110
- 7,500,881 B1 \* 3/2009 Lin ..... H01R 31/02  
439/668
- D728,471 S \* 5/2015 Alesi ..... D13/110
- D736,155 S \* 8/2015 Alesi ..... D13/110
- D764,409 S \* 8/2016 Alesi ..... D13/110
- D764,410 S \* 8/2016 Alesi ..... D13/110
- D765,028 S \* 8/2016 Alesi ..... D13/110
- D769,184 S \* 10/2016 Esses ..... D13/107
- D769,816 S \* 10/2016 Esses ..... D13/107
- D770,976 S \* 11/2016 Xu ..... D13/110
- D773,991 S \* 12/2016 Liu ..... D13/107
- D781,235 S \* 3/2017 Esses ..... D13/144
- D786,790 S \* 5/2017 Miller ..... D13/108
- 2013/0314029 A1 \* 11/2013 Haddad ..... H02J 7/0054  
320/107

\* cited by examiner

*Primary Examiner* — Derrick E Holland

*Assistant Examiner* — Jennifer O King

(74) *Attorney, Agent, or Firm* — Cheng-Ju Chiang

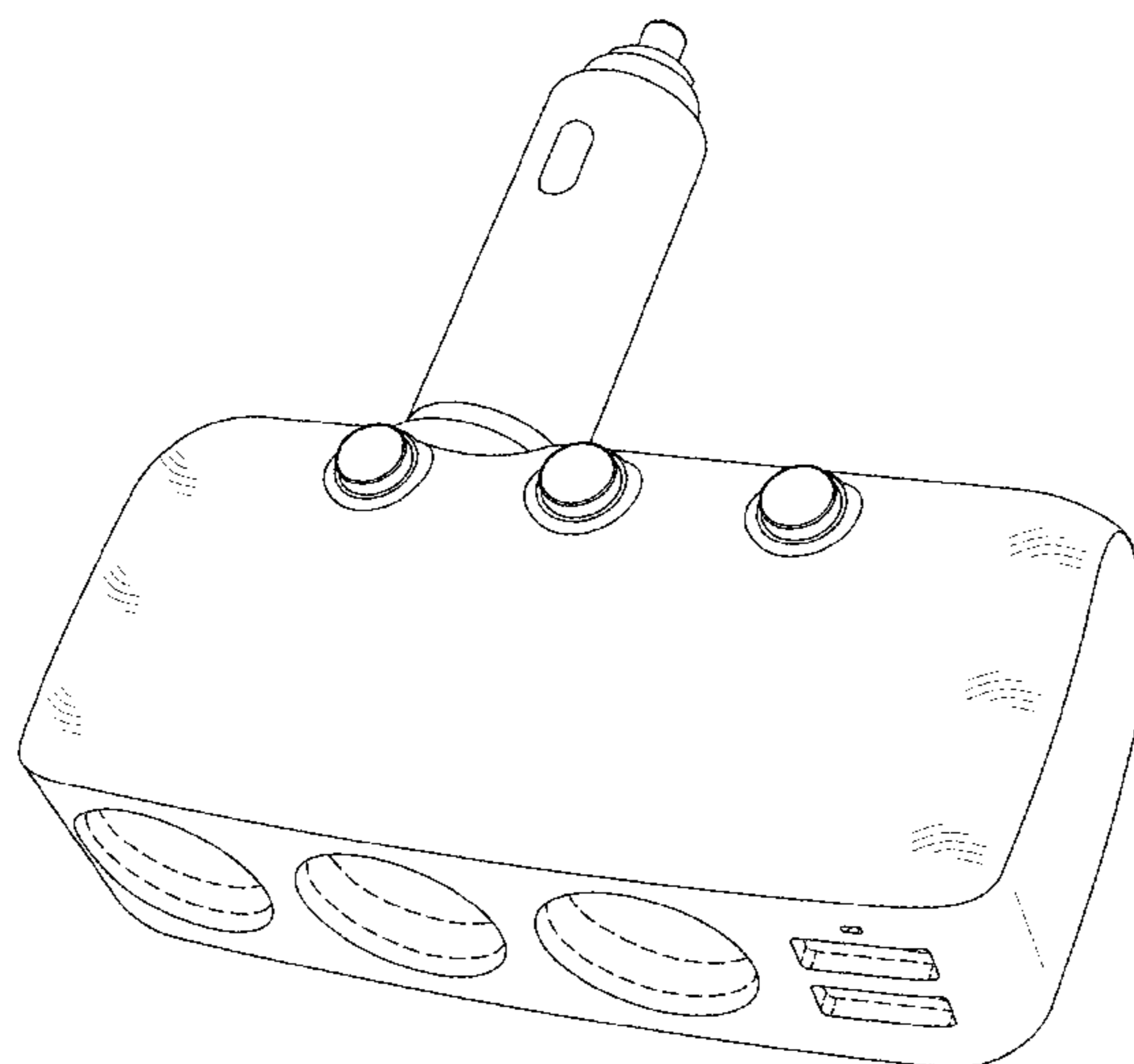
(57) **CLAIM**

The ornamental design for a car charger, as shown and described.

**DESCRIPTION**

FIG. 1 is a front, bottom and right perspective view of a car charger in accordance with my design;  
 FIG. 2 is a front plan view thereof;  
 FIG. 3 is rear side view thereof;  
 FIG. 4 is a left side view thereof;  
 FIG. 5 is a right side view thereof;  
 FIG. 6 is a top view thereof; and,  
 FIG. 7 is a bottom view thereof.  
 The broken lines represent portions of the car charger that form no part of the claimed design.

**1 Claim, 7 Drawing Sheets**



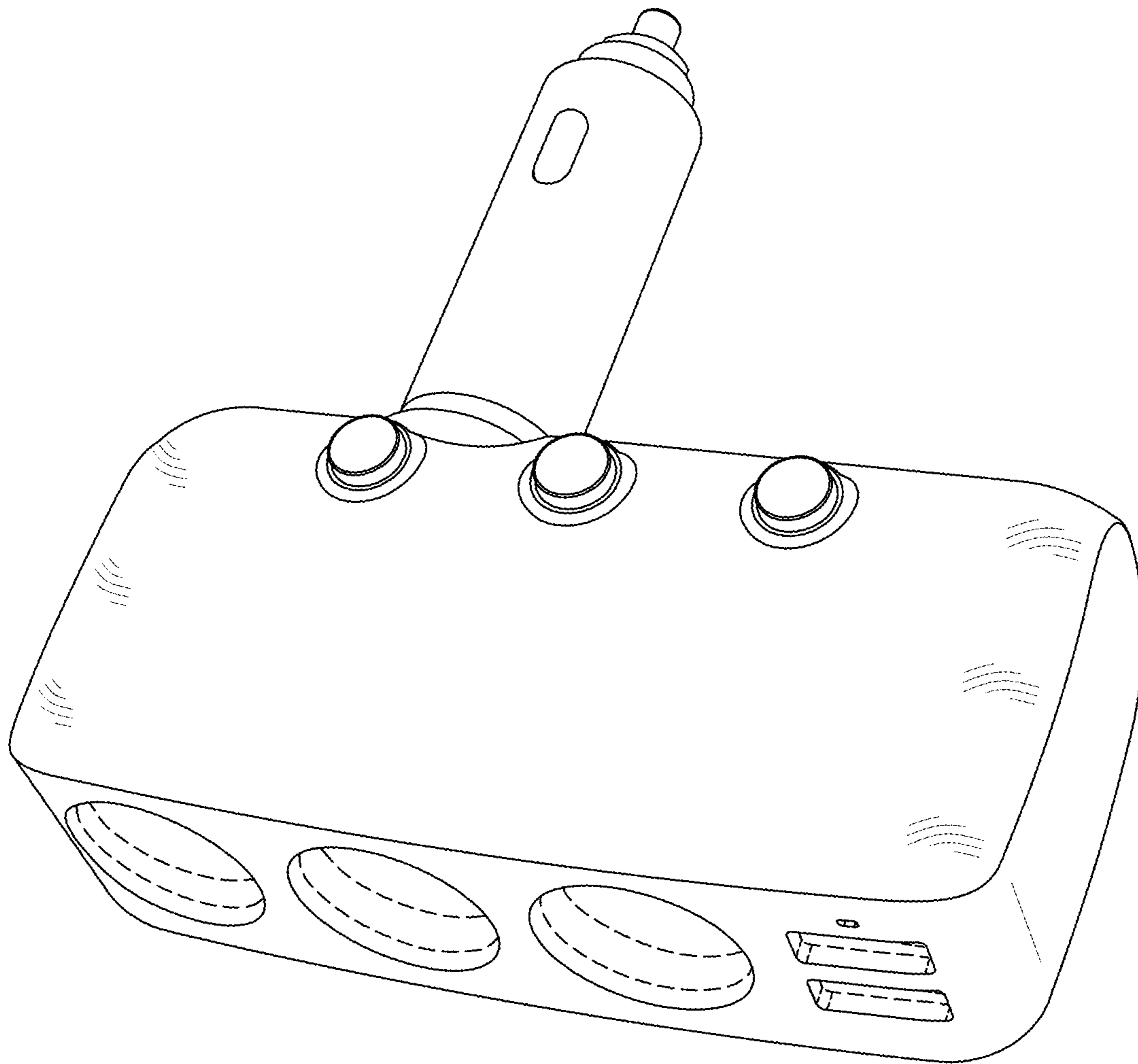


FIG. 1

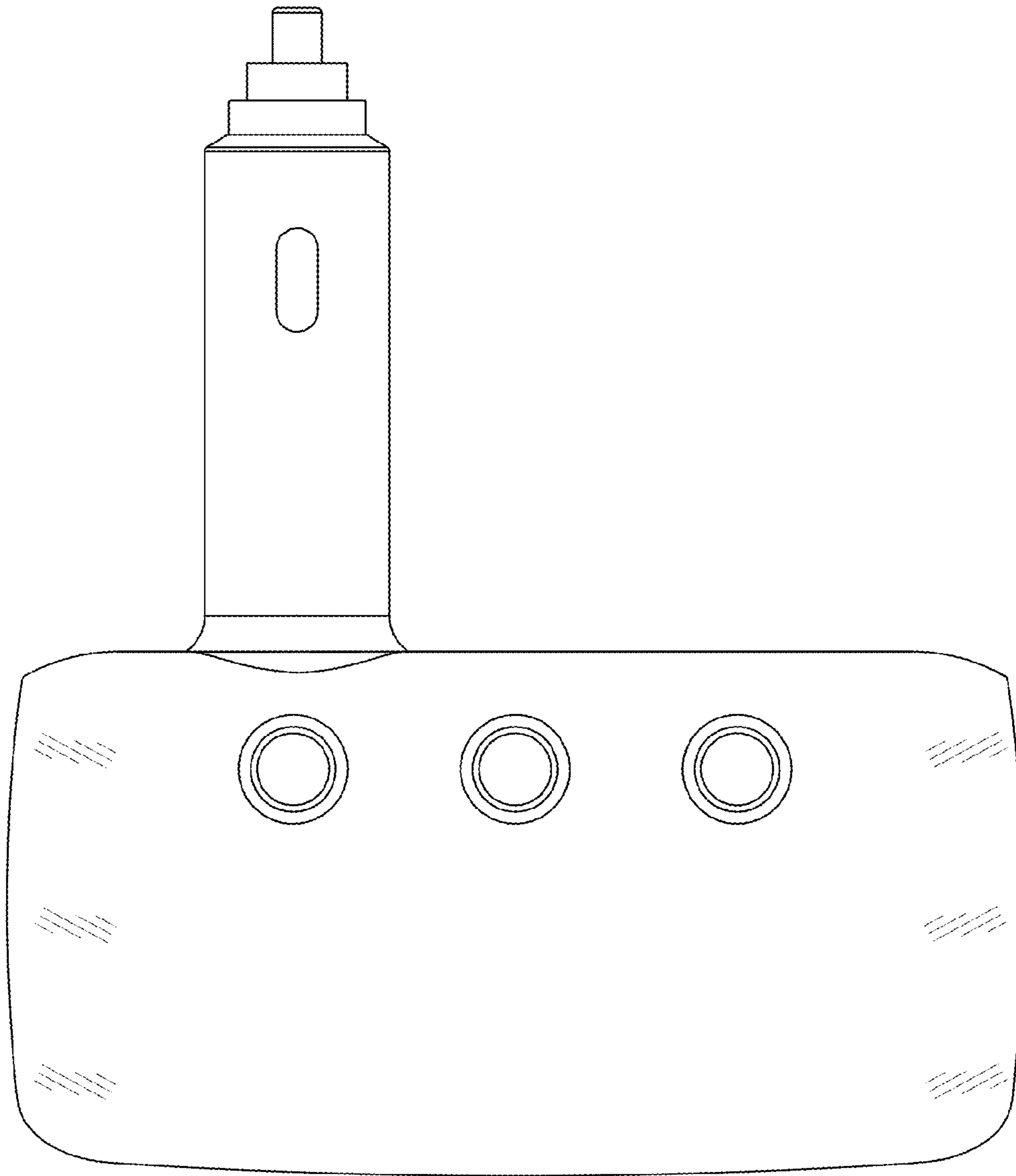


FIG. 2

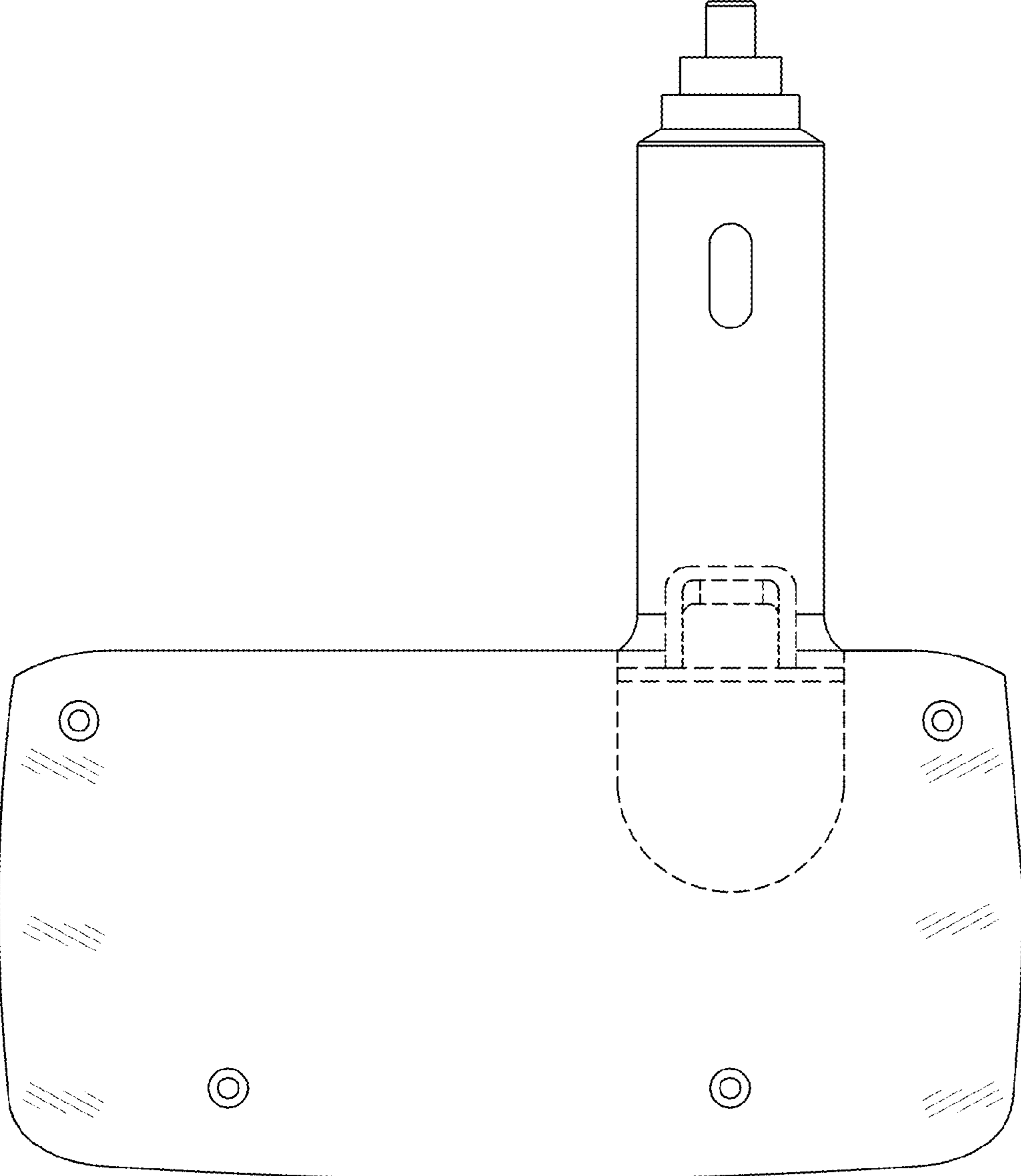


FIG. 3

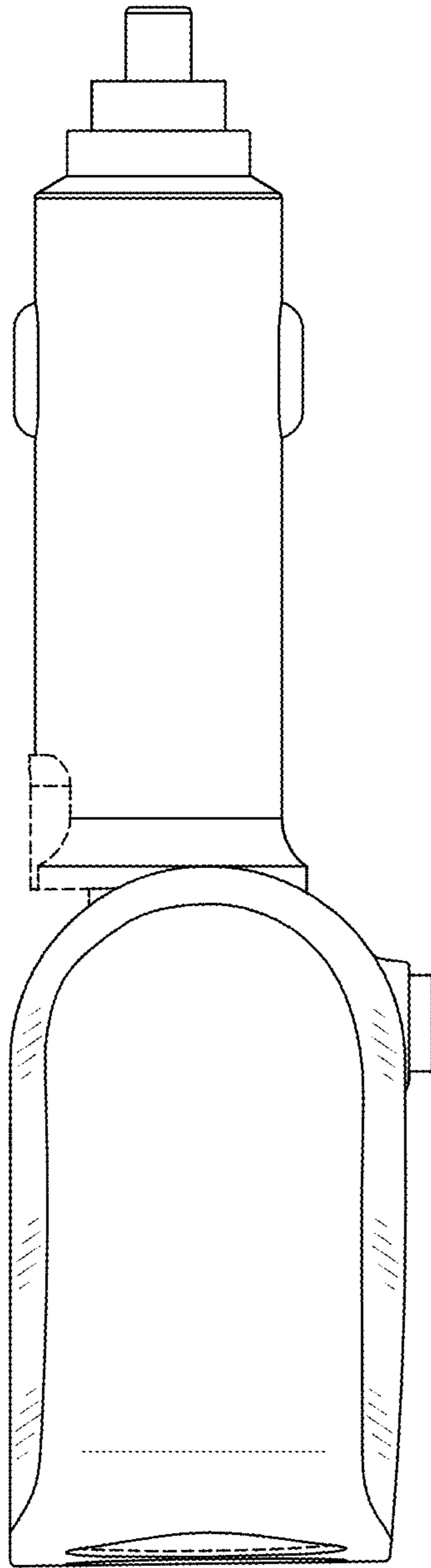


FIG. 4

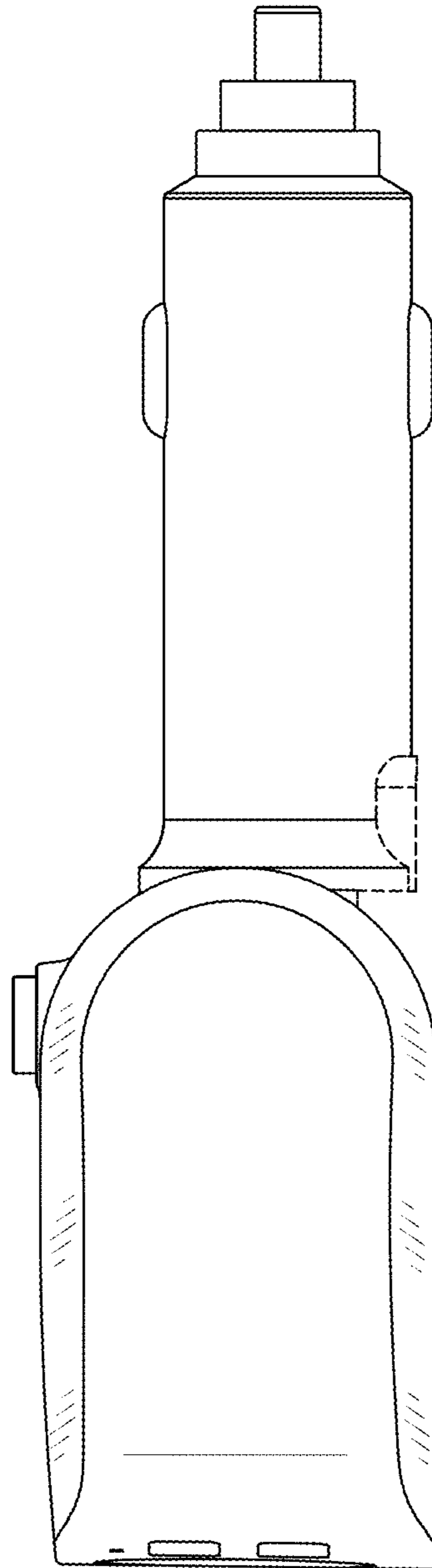


FIG. 5

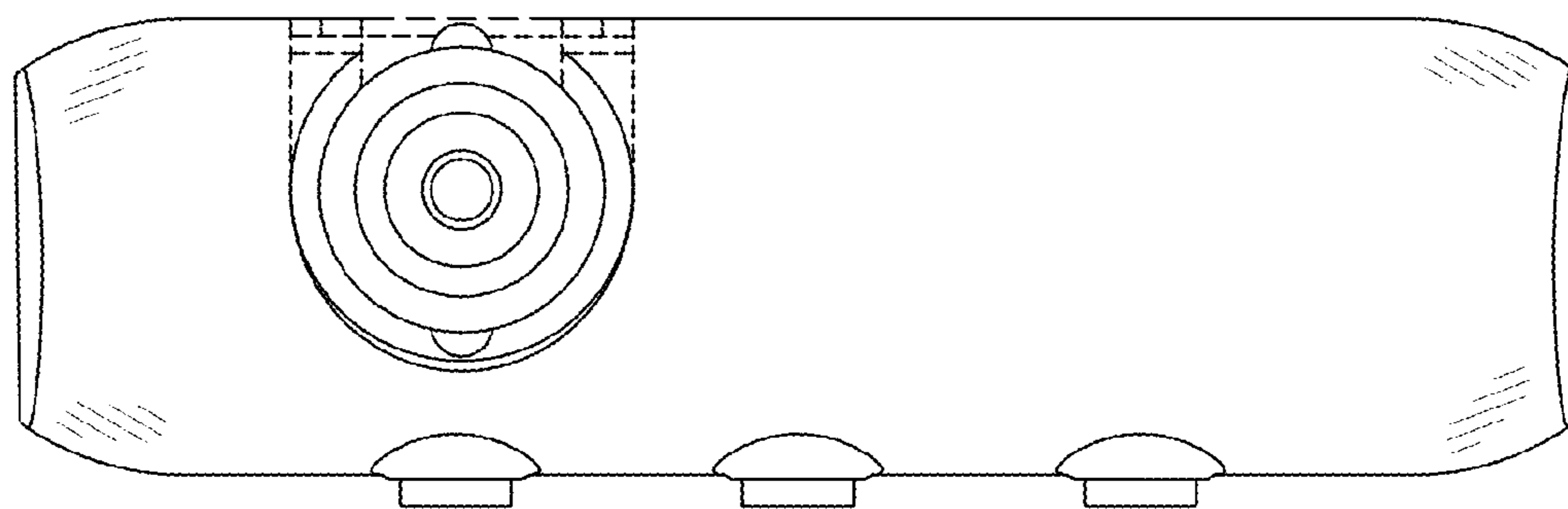


FIG. 6

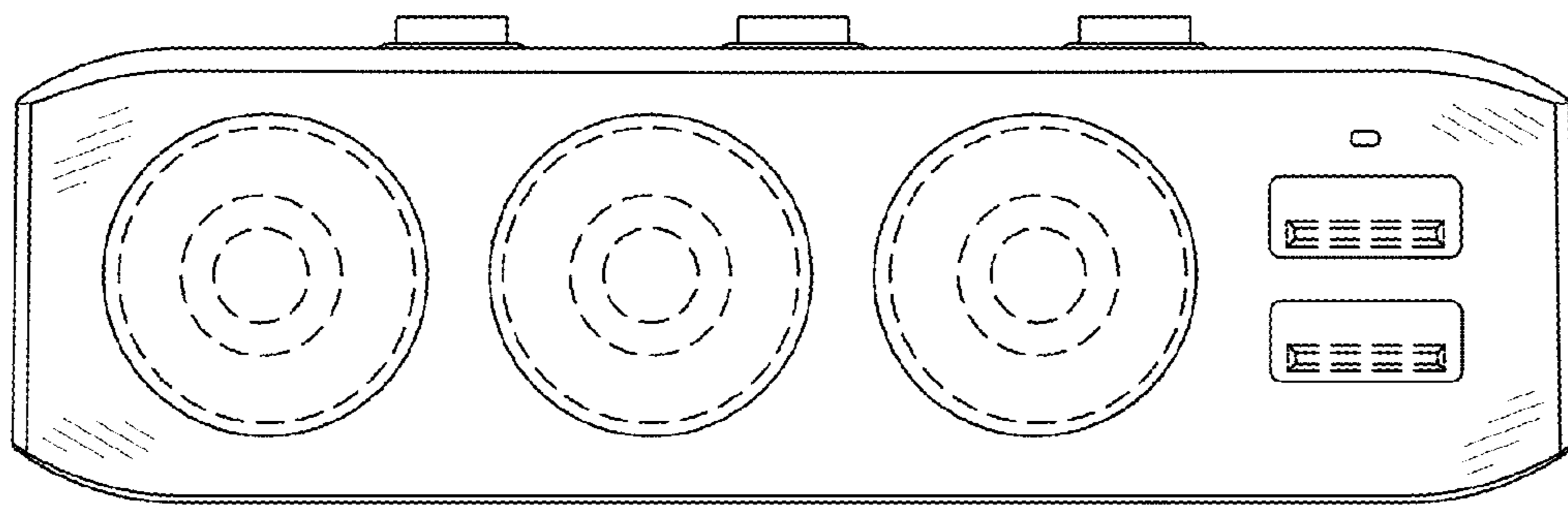


FIG. 7