



US00D864874S

(12) **United States Design Patent**  
**Xu**

(10) **Patent No.:** **US D864,874 S**

(45) **Date of Patent:** **\*\* Oct. 29, 2019**

(54) **POWER STRIP**

(71) Applicant: **Guangdong BESTEK E-commerce Co., Ltd.**, Shenzhen (CN)

(72) Inventor: **Xinhua Xu**, Shenzhen (CN)

(73) Assignee: **Guangdong BESTEK E-commerce Co., Ltd.**, Shenzhen (CN)

(\*\*) Term: **15 Years**

(21) Appl. No.: **29/646,273**

(22) Filed: **May 3, 2018**

(30) **Foreign Application Priority Data**

Jan. 30, 2018 (CN) ..... 2018 3 0044512

(51) **LOC (12) Cl.** ..... **13-03**

(52) **U.S. Cl.**  
USPC ..... **D13/139.8**

(58) **Field of Classification Search**

USPC ..... D13/107, 108, 110, 123, 133,  
D13/137.1-137.4, 138.1-138.2,  
D13/139.1-139.8, 151-156, 173, 177,  
D13/184; D14/432, 433, 435.1

CPC ..... H01R 11/00; H01R 9/00; H01R 13/00;  
H01R 13/04; H01R 13/10; H01R  
13/6666; H01R 13/6675; H01R 13/5845;  
H01R 13/72; H01R 13/46; H01R 25/00;  
H01R 25/006; H01R 31/06; H01R 24/28;  
H01H 2207/00; H01H 2207/022; H01B  
7/2806

See application file for complete search history.

(56) **References Cited**

**U.S. PATENT DOCUMENTS**

5,780,775 A \* 7/1998 Yu ..... H01R 13/506  
174/135

5,899,761 A \* 5/1999 Crane ..... H01R 25/00  
439/142

7,083,421 B1 \* 8/2006 Mori ..... H01R 13/46  
439/574  
7,442,090 B2 \* 10/2008 Mori ..... H01R 25/003  
174/53  
7,497,740 B2 \* 3/2009 Mei ..... H01R 13/514  
200/51 R  
7,581,977 B1 \* 9/2009 Wu ..... H01R 13/7036  
439/106  
7,663,866 B2 \* 2/2010 Lee ..... H01R 13/652  
307/117  
7,753,699 B2 \* 7/2010 Wu ..... H01R 13/44  
439/106  
8,471,718 B1 \* 6/2013 Miller ..... G04C 23/04  
307/131  
8,622,756 B2 \* 1/2014 Smed ..... H01R 9/2408  
439/120  
8,686,683 B2 \* 4/2014 Caskey ..... H01R 13/6675  
320/107

(Continued)

*Primary Examiner* — Rosemary K Tarcza

*Assistant Examiner* — Christy M Nemeth

(57) **CLAIM**

The ornamental design for a power strip, as shown and described.

**DESCRIPTION**

FIG. 1 is a front perspective view of a power strip showing my new design;

FIG. 2 is a rear perspective view thereof;

FIG. 3 is a front elevational view thereof;

FIG. 4 is a rear elevational view thereof;

FIG. 5 is a left side elevational view thereof;

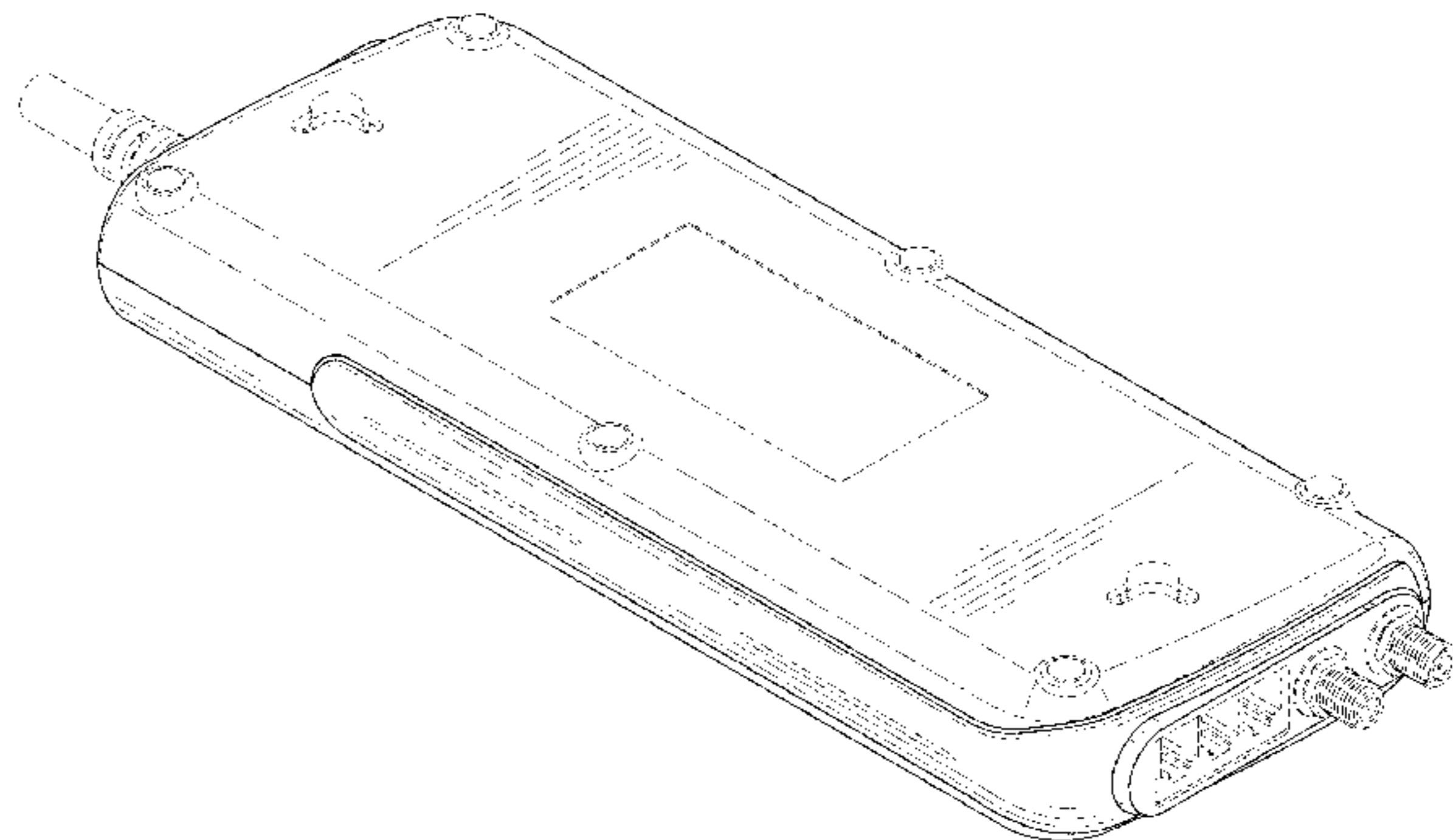
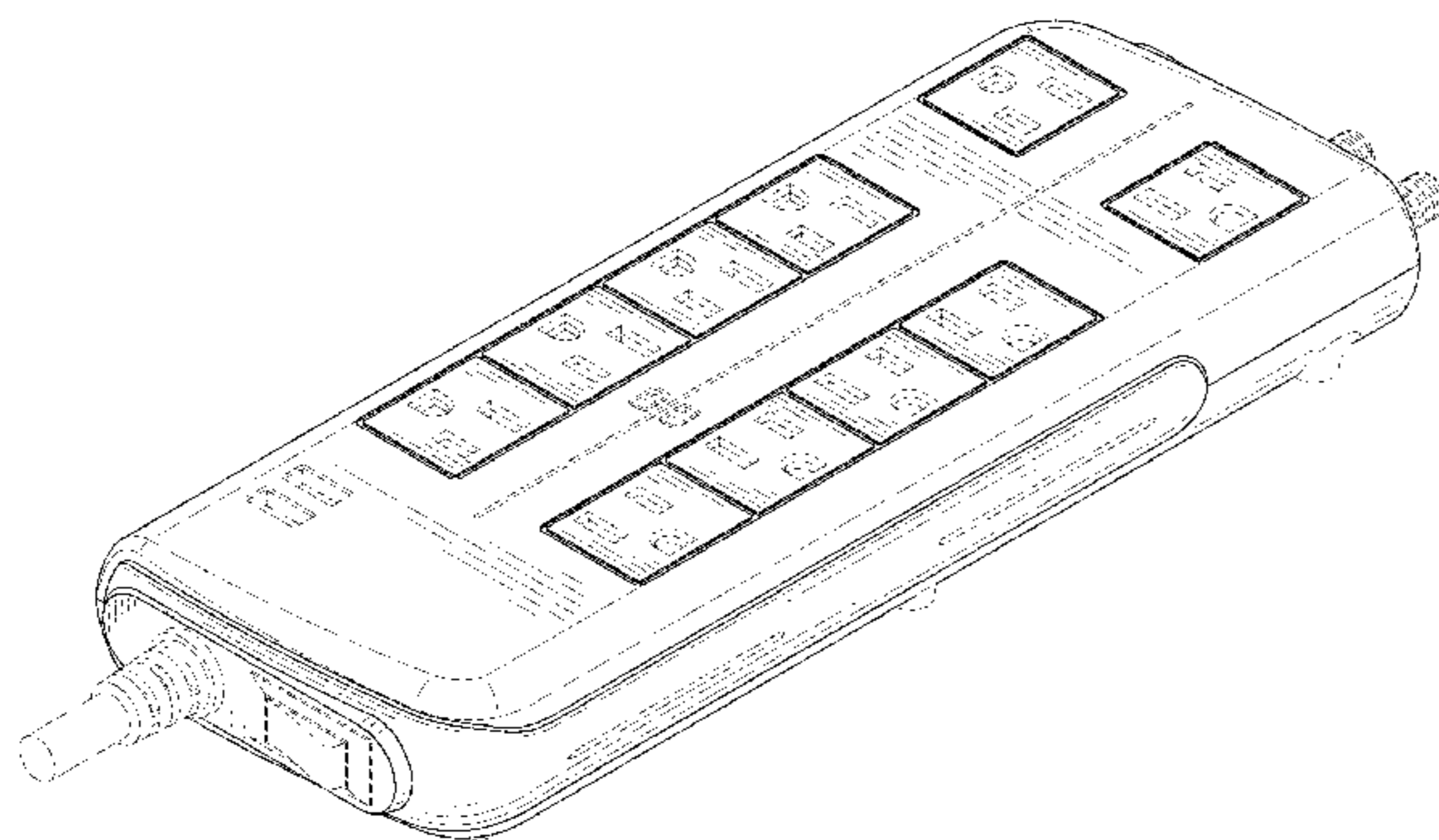
FIG. 6 is a right side elevational view thereof;

FIG. 7 is a top plan view thereof; and,

FIG. 8 is a bottom plan view thereof.

The broken lines in the drawings are for the purpose of illustrating portions of the power strip that form no part of the claimed design.

**1 Claim, 8 Drawing Sheets**



(56)

**References Cited**

## U.S. PATENT DOCUMENTS

9,028,274 B2 \* 5/2015 Zien ..... H01R 13/514  
439/527  
9,147,984 B2 \* 9/2015 Brookshire ..... H01R 25/003  
9,225,128 B2 \* 12/2015 Yap ..... H01R 25/003  
D751,509 S \* 3/2016 Hanson ..... D13/151  
9,281,644 B2 \* 3/2016 Myong ..... H01R 25/003  
D775,081 S \* 12/2016 Xu ..... D13/139.6  
9,692,189 B2 \* 6/2017 Lin ..... H01R 13/703  
9,736,954 B2 \* 8/2017 Chen ..... F16M 13/02  
D796,445 S \* 9/2017 Xu ..... D13/139.6  
D797,676 S \* 9/2017 Xu ..... D13/139.6  
9,762,056 B1 \* 9/2017 Miller ..... H02J 3/00  
D816,038 S \* 4/2018 Lu ..... D13/137.3  
D816,039 S \* 4/2018 Lu ..... D13/139.8  
9,941,644 B1 \* 4/2018 Liu ..... H01R 13/7175  
9,960,556 B1 \* 5/2018 Jansma ..... H01R 13/6395  
D823,805 S \* 7/2018 Xu ..... D13/139.8  
D827,648 S \* 9/2018 Mitchell ..... D14/432  
D828,304 S \* 9/2018 Chen ..... D13/139.8  
D837,736 S \* 1/2019 Liao ..... D13/139.7  
10,249,982 B2 \* 4/2019 Sekino ..... H01R 13/72

\* cited by examiner

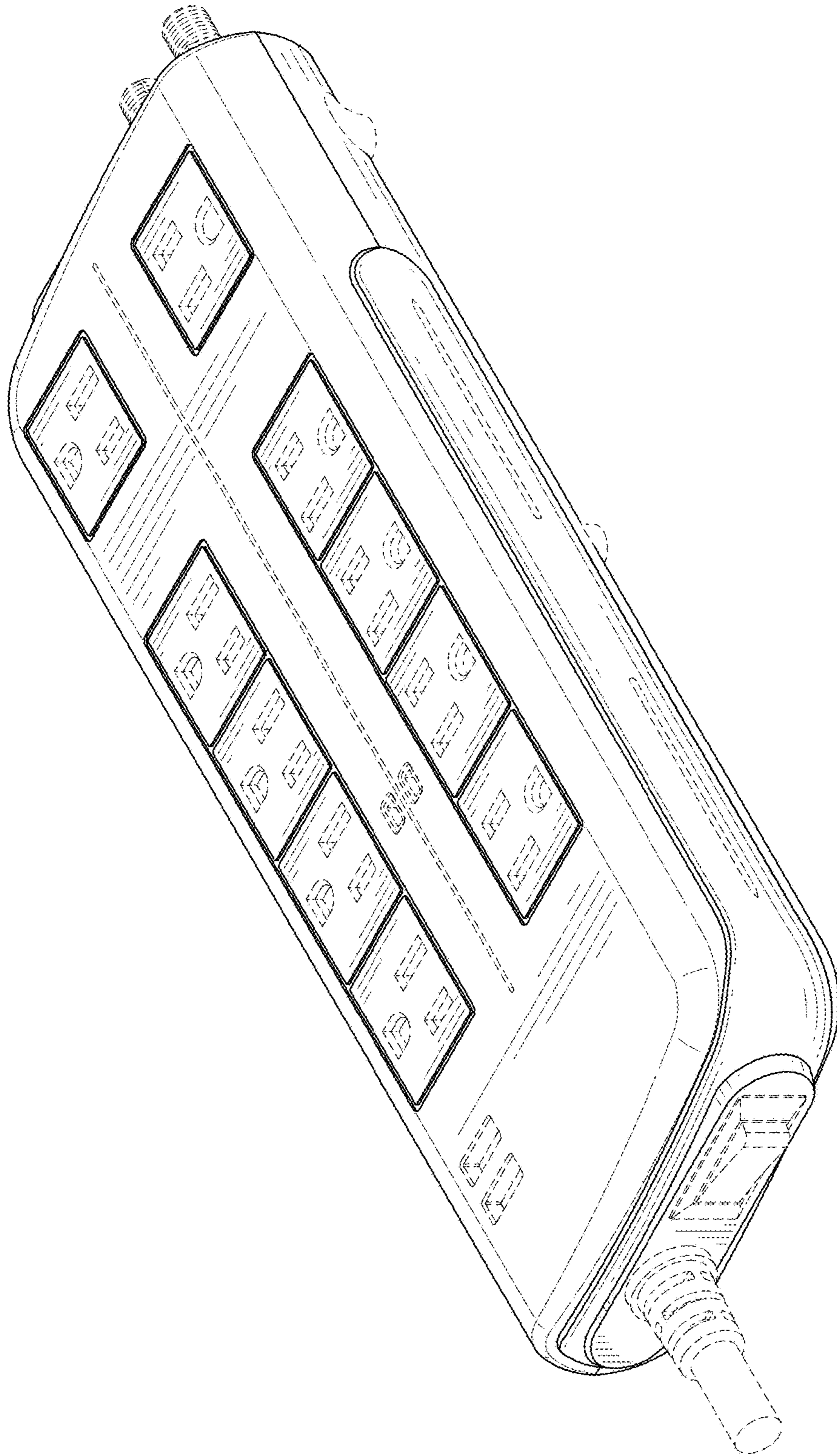


FIG. 1

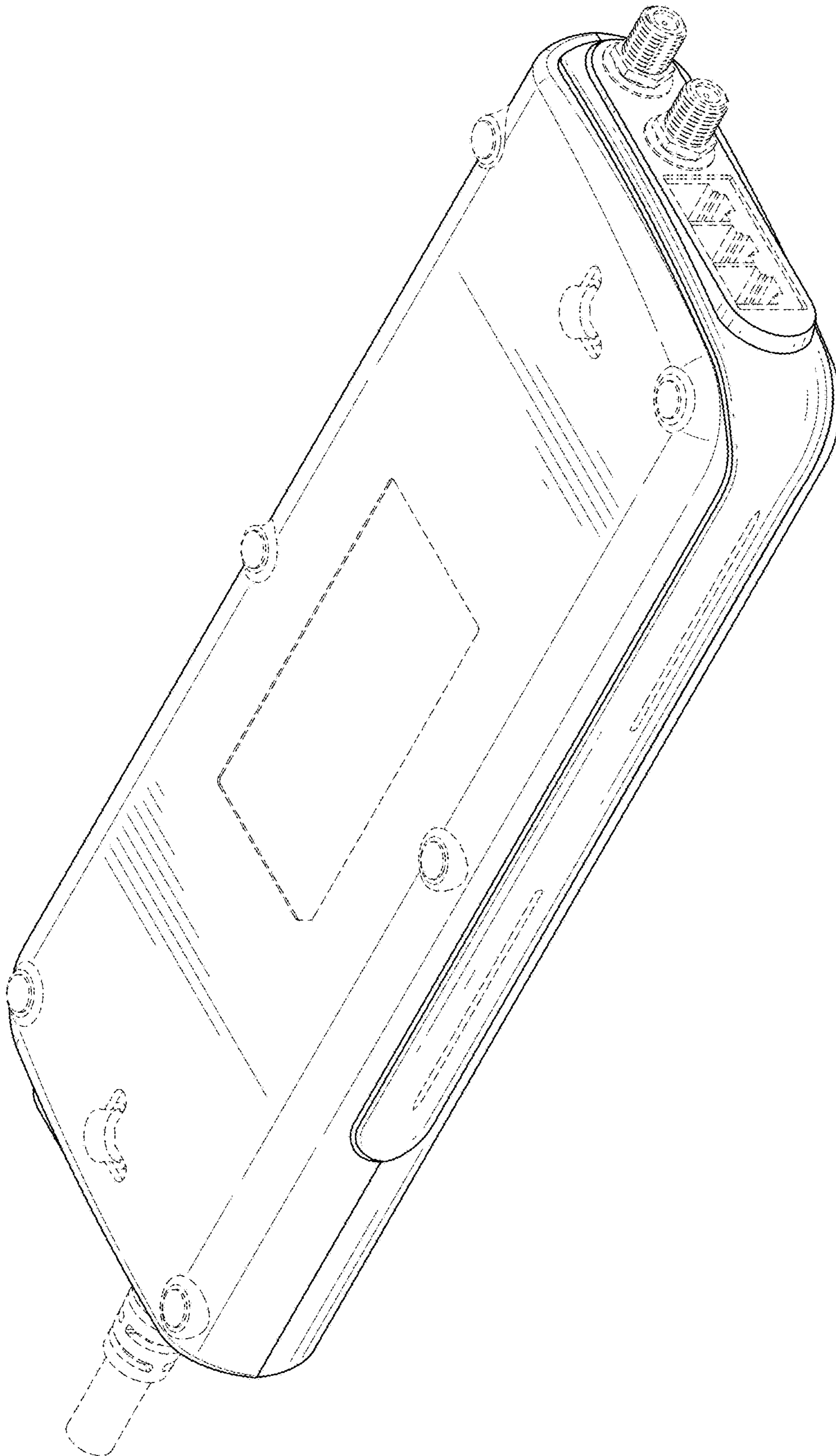


FIG. 2

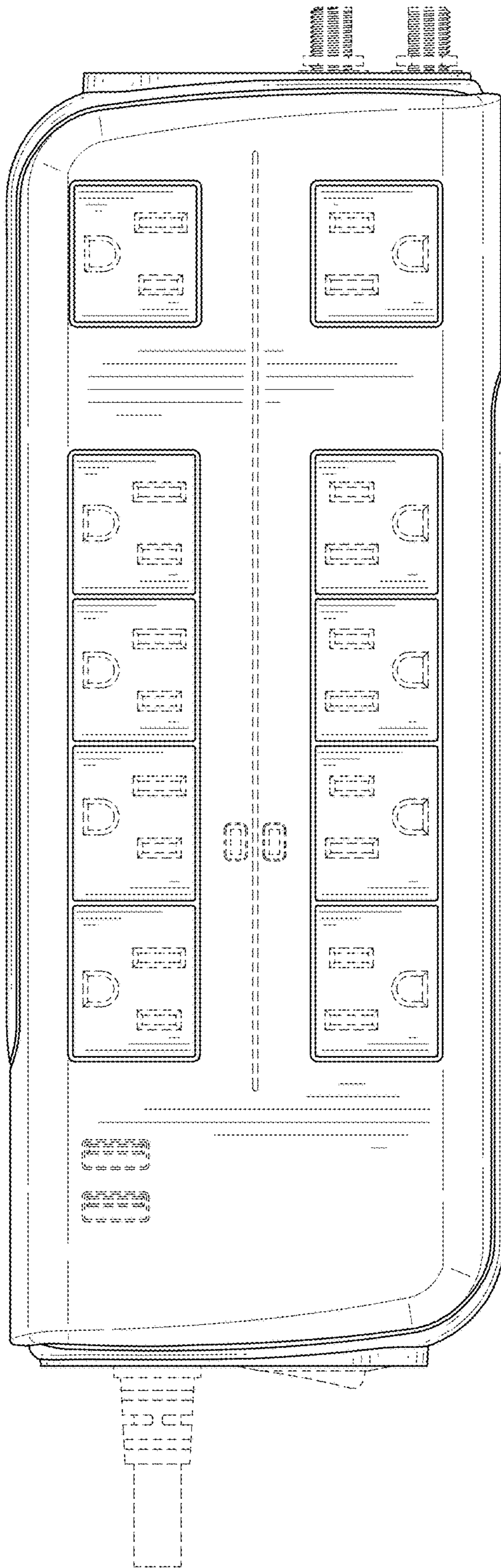


FIG. 3

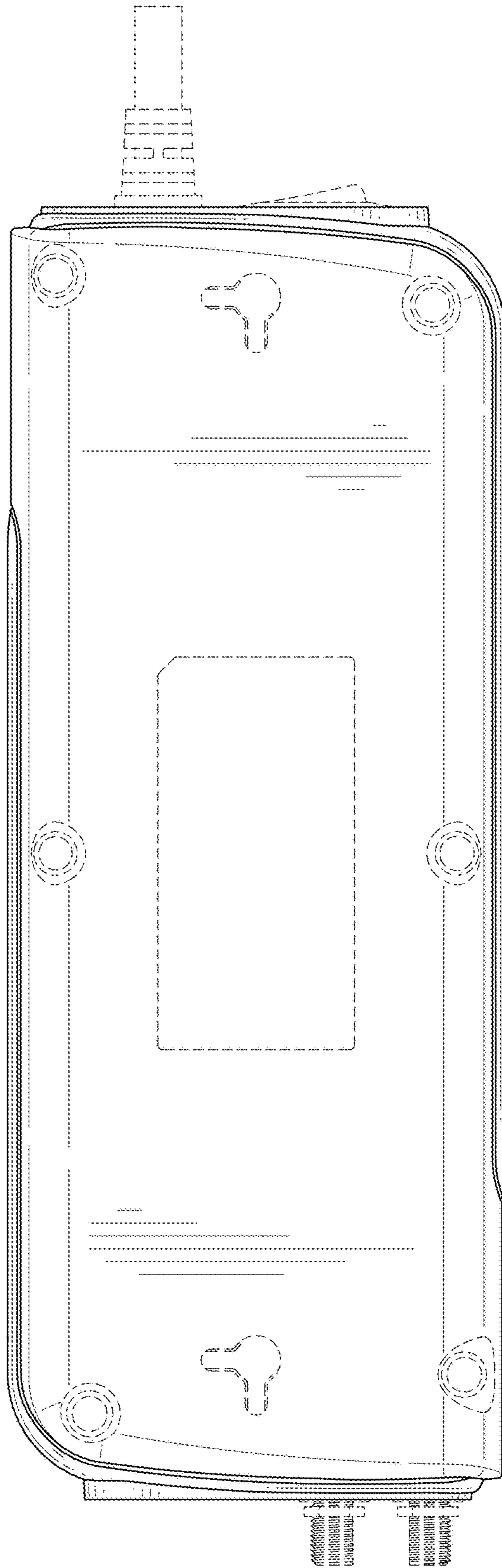


FIG. 4

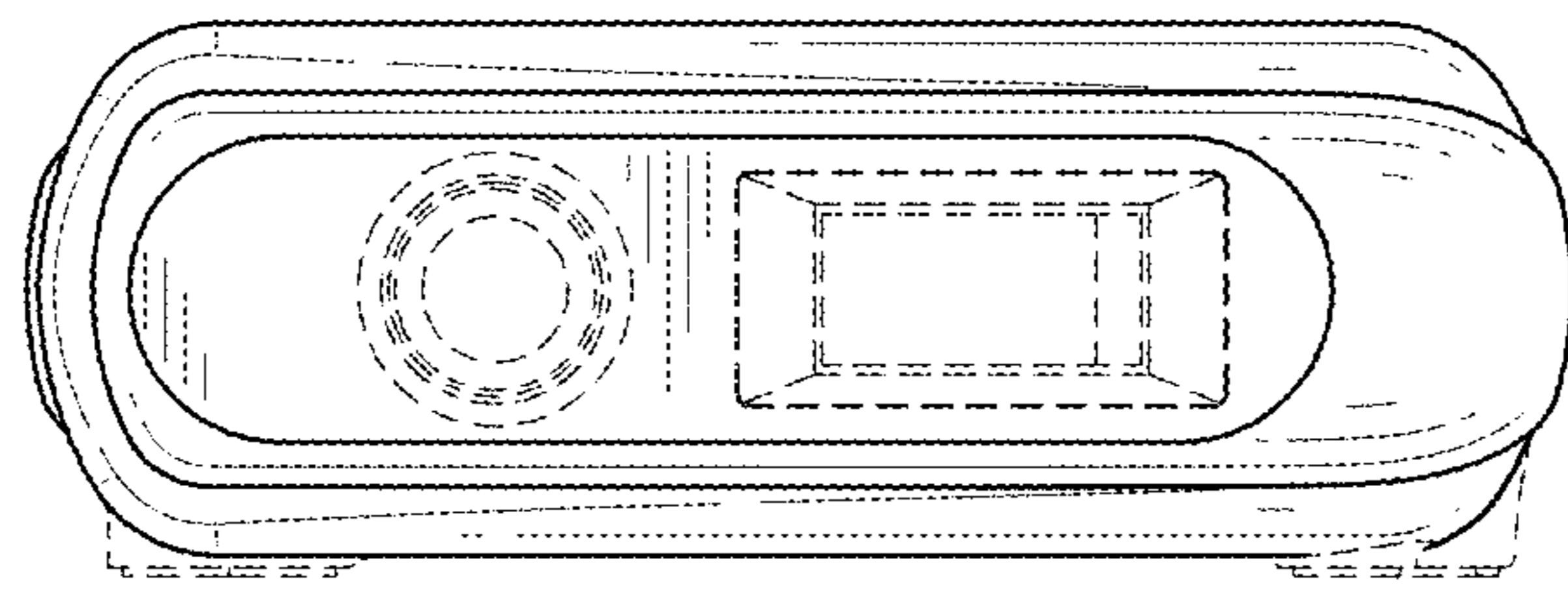


FIG. 5

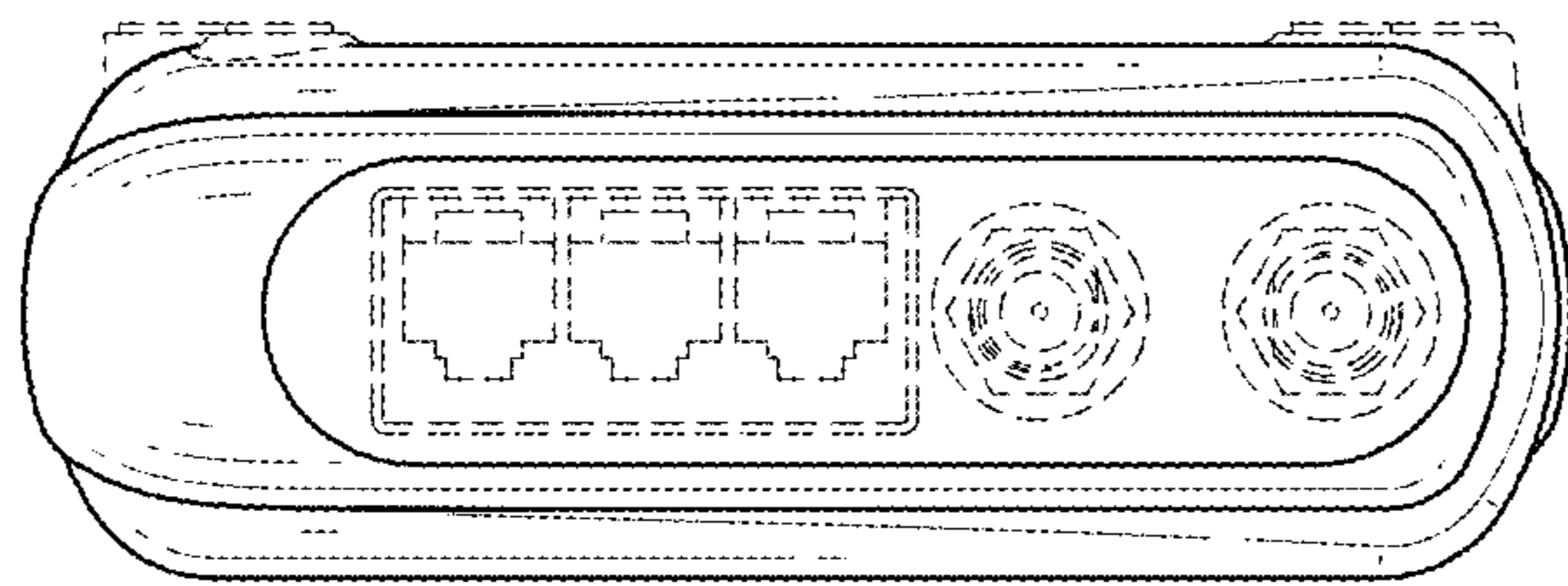


FIG. 6



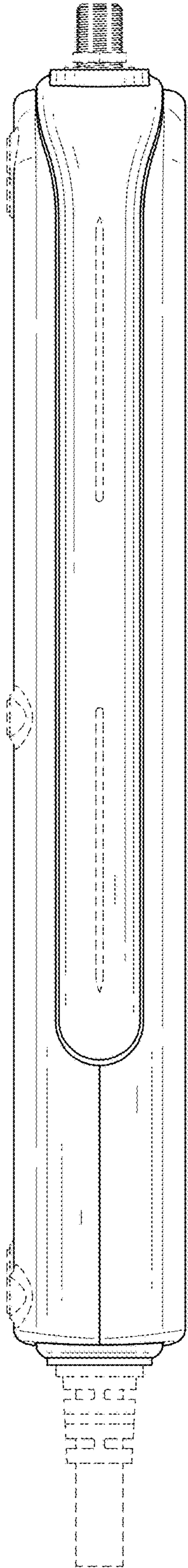


FIG. 7

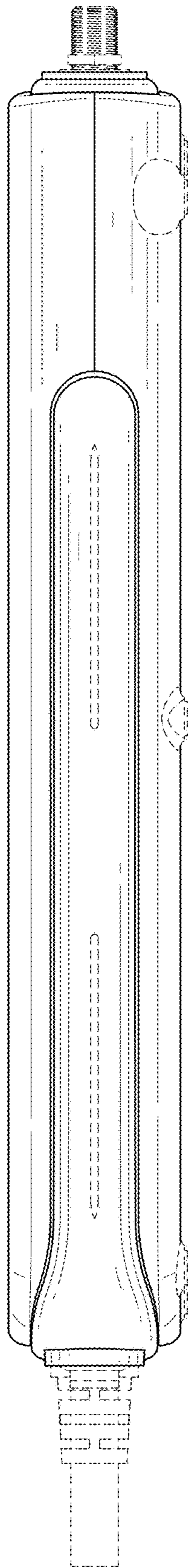


FIG. 8