

US00D864871S

(12) **United States Design Patent**  
**Xiao**

(10) **Patent No.:** **US D864,871 S**  
(45) **Date of Patent:** **\*\* Oct. 29, 2019**

- (54) **SOCKET**
- (71) Applicant: **Xiangdong Xiao**, Guangdong (CN)
- (72) Inventor: **Xiangdong Xiao**, Guangdong (CN)
- (73) Assignee: **LINGAN INTELLIGENT TECHNOLOGY CO., LTD**, Shenzhen (CN)
- (\*\*) Term: **15 Years**
- (21) Appl. No.: **29/650,469**
- (22) Filed: **Jun. 7, 2018**
- (51) **LOC (12) Cl.** ..... **13-03**
- (52) **U.S. Cl.**  
USPC ..... **D13/137.3**
- (58) **Field of Classification Search**  
USPC ..... D13/107, 108, 110, 123, 133, D13/137.1-137.4, 138.1-138.2, D13/139.1-139.8, 151-156, 173, 177, D13/184; D14/432, 433, 435.1  
CPC ..... H01R 11/00; H01R 9/00; H01R 13/00; H01R 13/04; H01R 13/10; H01R 13/6666; H01R 13/6675; H01R 13/5845; H01R 13/72; H01R 13/46; H01R 25/00; H01R 25/006; H01R 31/06; H01R 24/28; H01H 2207/00; H01H 2207/022; H01B 7/2806  
See application file for complete search history.

- 8,157,578 B2 \* 4/2012 Lee ..... H01R 31/06 439/172
  - 8,313,335 B2 \* 11/2012 Wu ..... H01R 13/502 439/172
  - 8,382,493 B2 \* 2/2013 Ruffner ..... H01R 27/00 439/105
  - D687,374 S \* 8/2013 Biedermann ..... D13/108
  - D713,788 S \* 9/2014 Hasegawa ..... D13/110
  - D720,290 S \* 12/2014 Wu ..... D13/110
  - 8,920,177 B1 \* 12/2014 Hsiao ..... H01R 39/00 439/13
  - D726,653 S \* 4/2015 Kourtis ..... D13/137.1
  - 9,083,125 B2 \* 7/2015 Rogers ..... H01R 27/00
  - 9,106,037 B2 \* 8/2015 Lee ..... H01R 31/06
- (Continued)

**OTHER PUBLICATIONS**

Amazon.com: COOSA WiFi Smart Plug. Published Jul. 6, 2017. Retrieved from the internet at <<https://www.amazon.com/COOSA-Function-Appliances-Compatible-Assistant/dp/B073RGK5CH/>>, Jul. 6, 2019. 1 page. (Year: 2017).\*

*Primary Examiner* — Rosemary K Tarcza  
*Assistant Examiner* — Christy M Nemeth  
(74) *Attorney, Agent, or Firm* — Justin Lampel

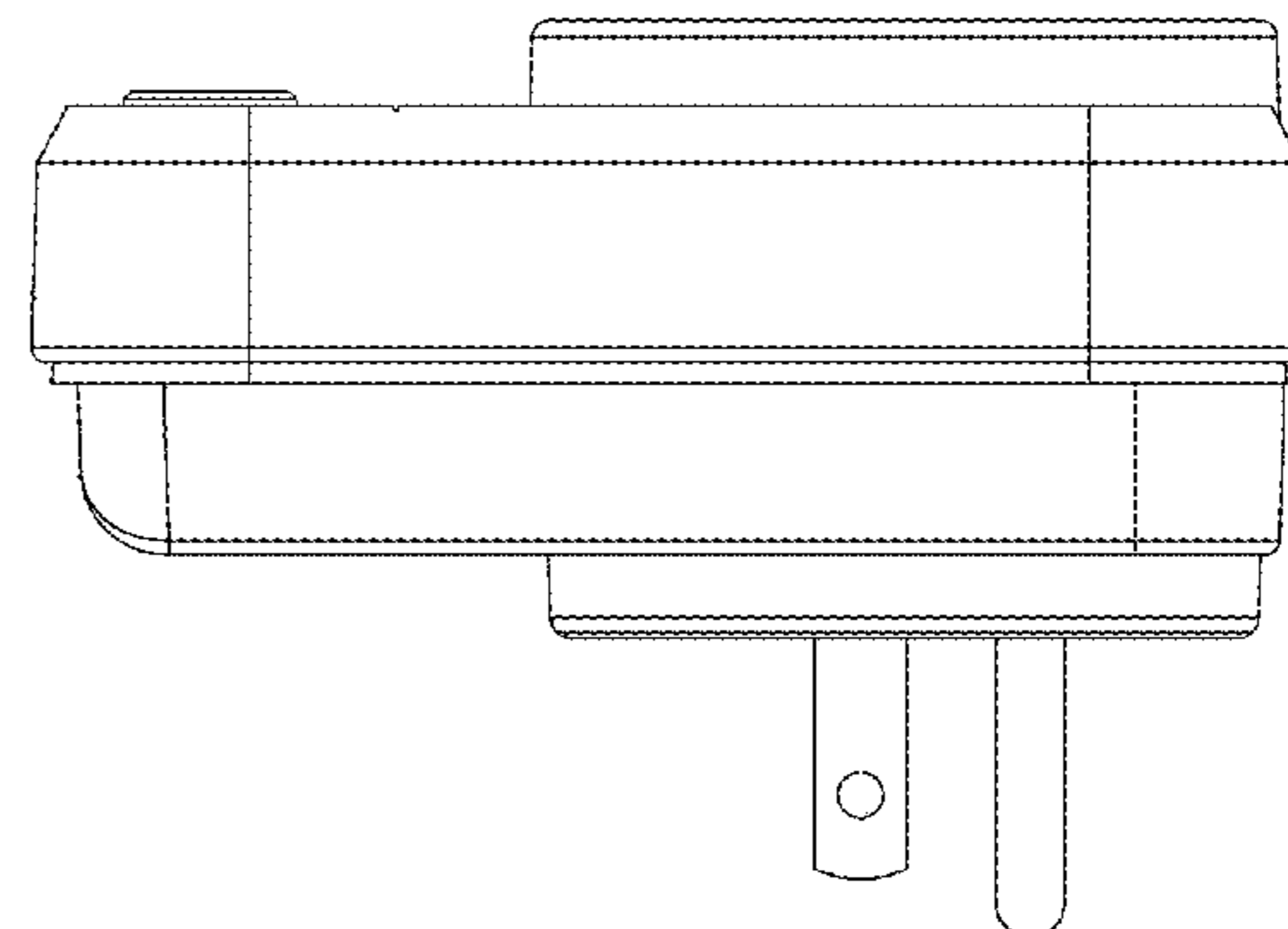
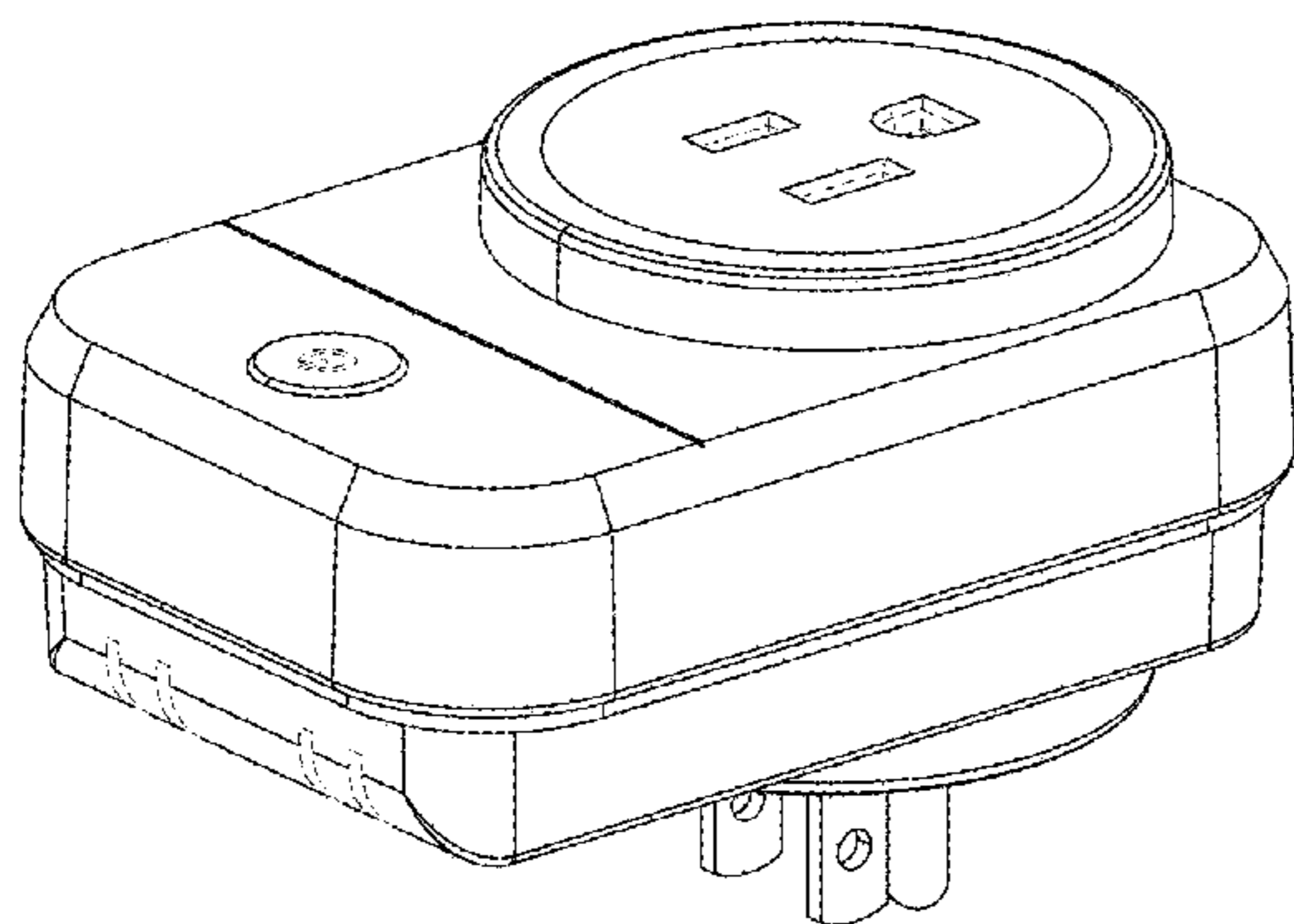
(57) **CLAIM**

The ornamental design for a socket, as shown and described.

**DESCRIPTION**

FIG. 1 is a perspective view of a socket showing my new design;  
FIG. 2 is a front side view thereof;  
FIG. 3 is a rear side view thereof;  
FIG. 4 is a right side view thereof;  
FIG. 5 is a left side view thereof;  
FIG. 6 is a bottom plan view thereof; and,  
FIG. 7 is a top plan view thereof.  
The broken lines illustrate portions of the socket that form no part of the claimed design.

**1 Claim, 7 Drawing Sheets**



(56)

**References Cited**

U.S. PATENT DOCUMENTS

D750,022 S \* 2/2016 Lin ..... D13/137.2  
D755,127 S \* 5/2016 Wong ..... D13/137.2  
9,343,850 B2 \* 5/2016 Colahan ..... H01R 13/6675  
D807,295 S \* 1/2018 Xu ..... D13/137.2  
9,882,313 B2 \* 1/2018 Steinbuchel, IV ..... H01R 31/06  
D816,614 S \* 5/2018 An ..... D13/137.1  
9,985,397 B2 \* 5/2018 Jiang ..... H01R 13/5219  
D819,570 S \* 6/2018 Zhong ..... D13/137.1  
D826,858 S \* 8/2018 Little ..... D13/137.2  
D826,859 S \* 8/2018 Little ..... D13/137.2  
D835,042 S \* 12/2018 Qiu ..... D13/137.2  
D835,043 S \* 12/2018 Liao ..... D13/137.3  
D849,687 S \* 5/2019 Dai ..... D13/137.2  
10,290,988 B2 \* 5/2019 Judkins ..... H01R 13/6675

\* cited by examiner

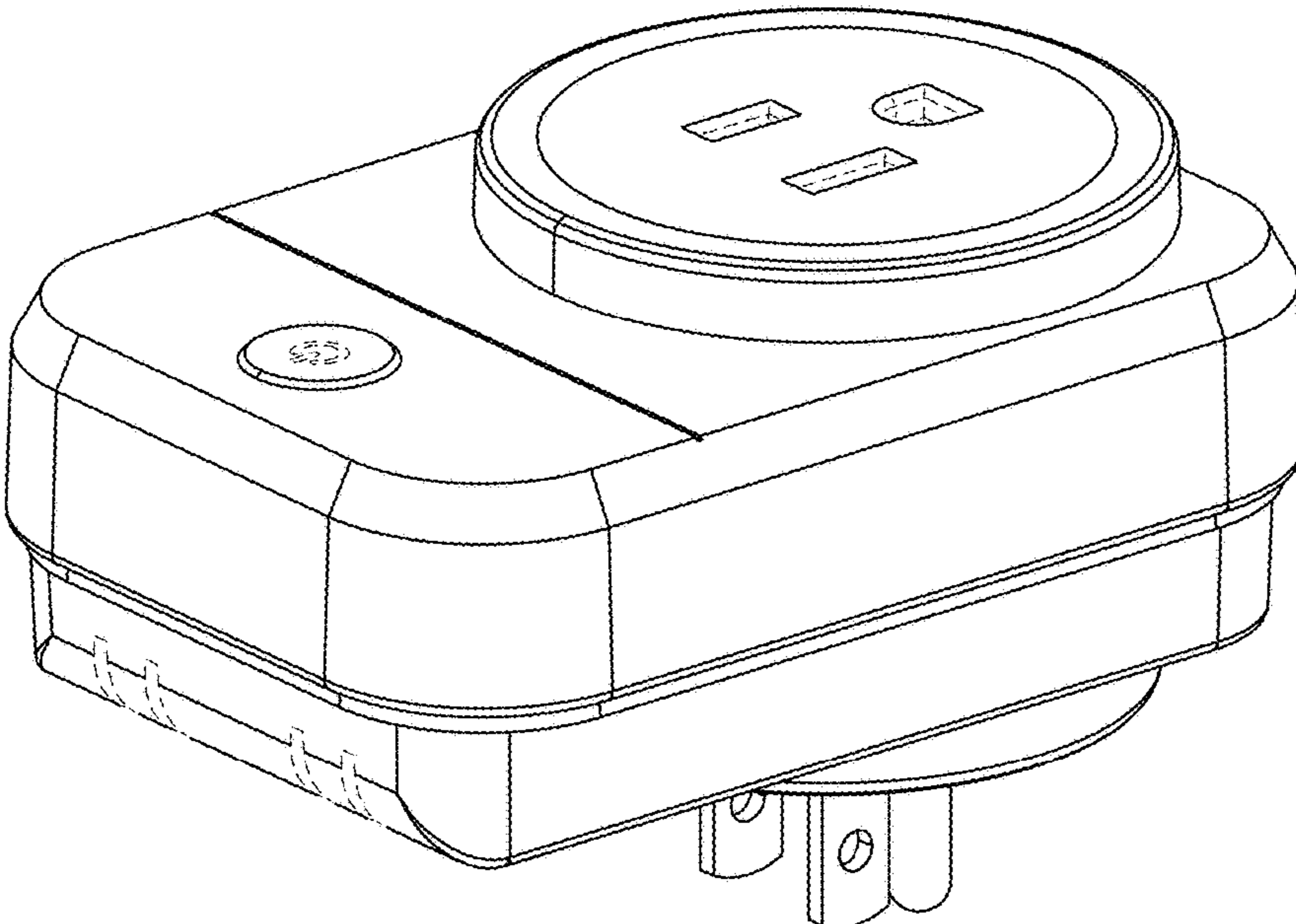


FIG. 1

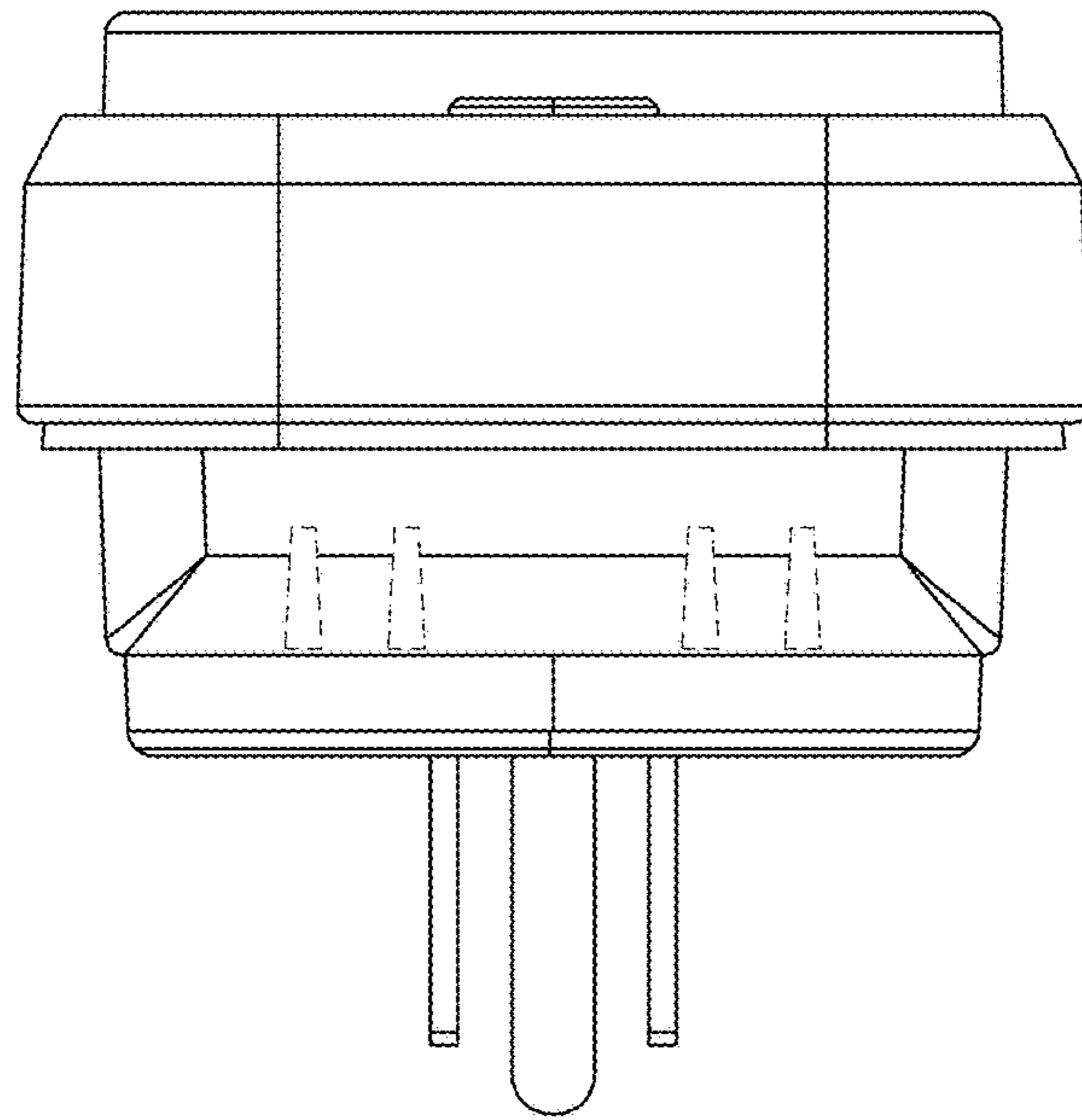


FIG. 2

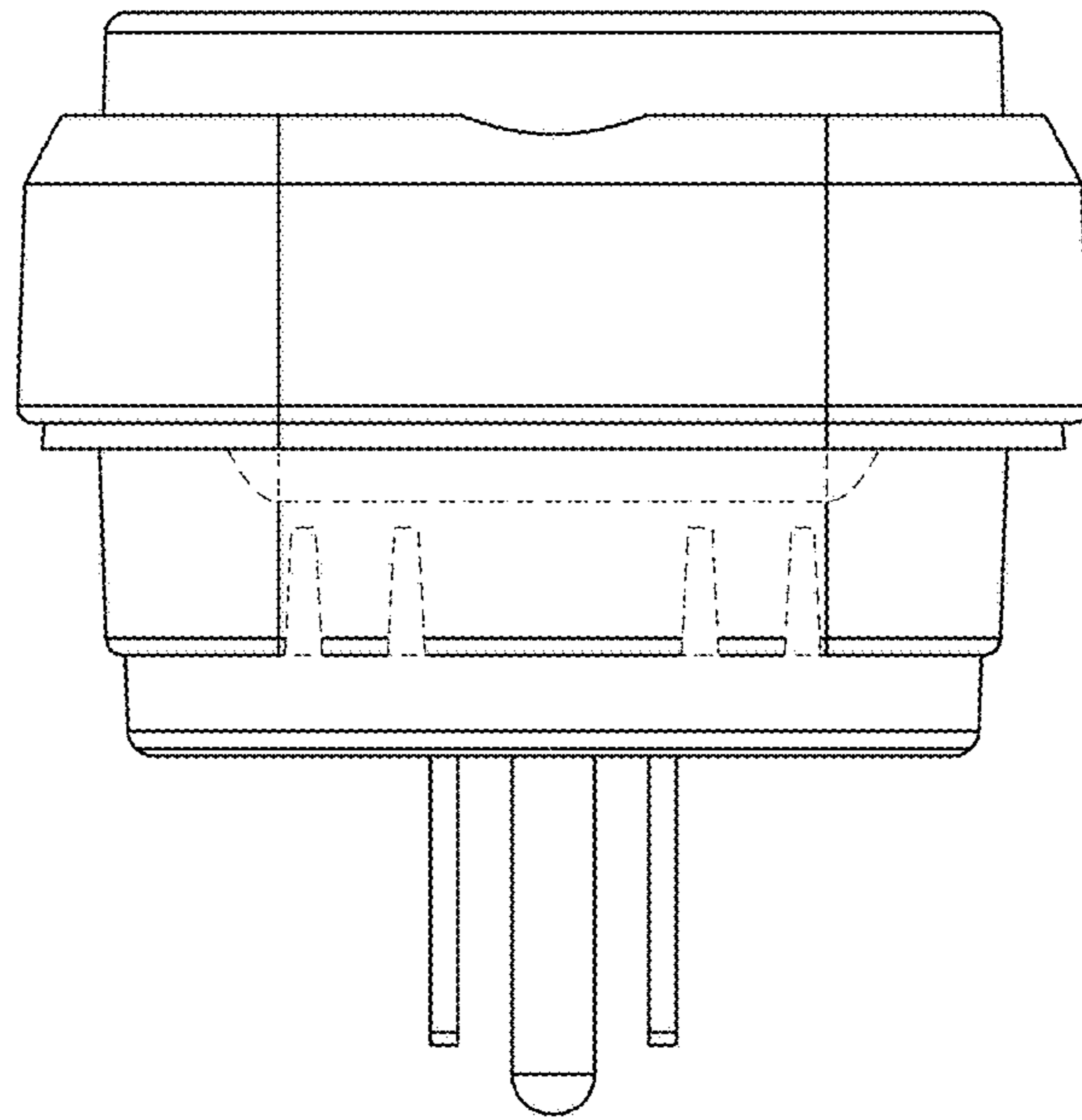


FIG. 3

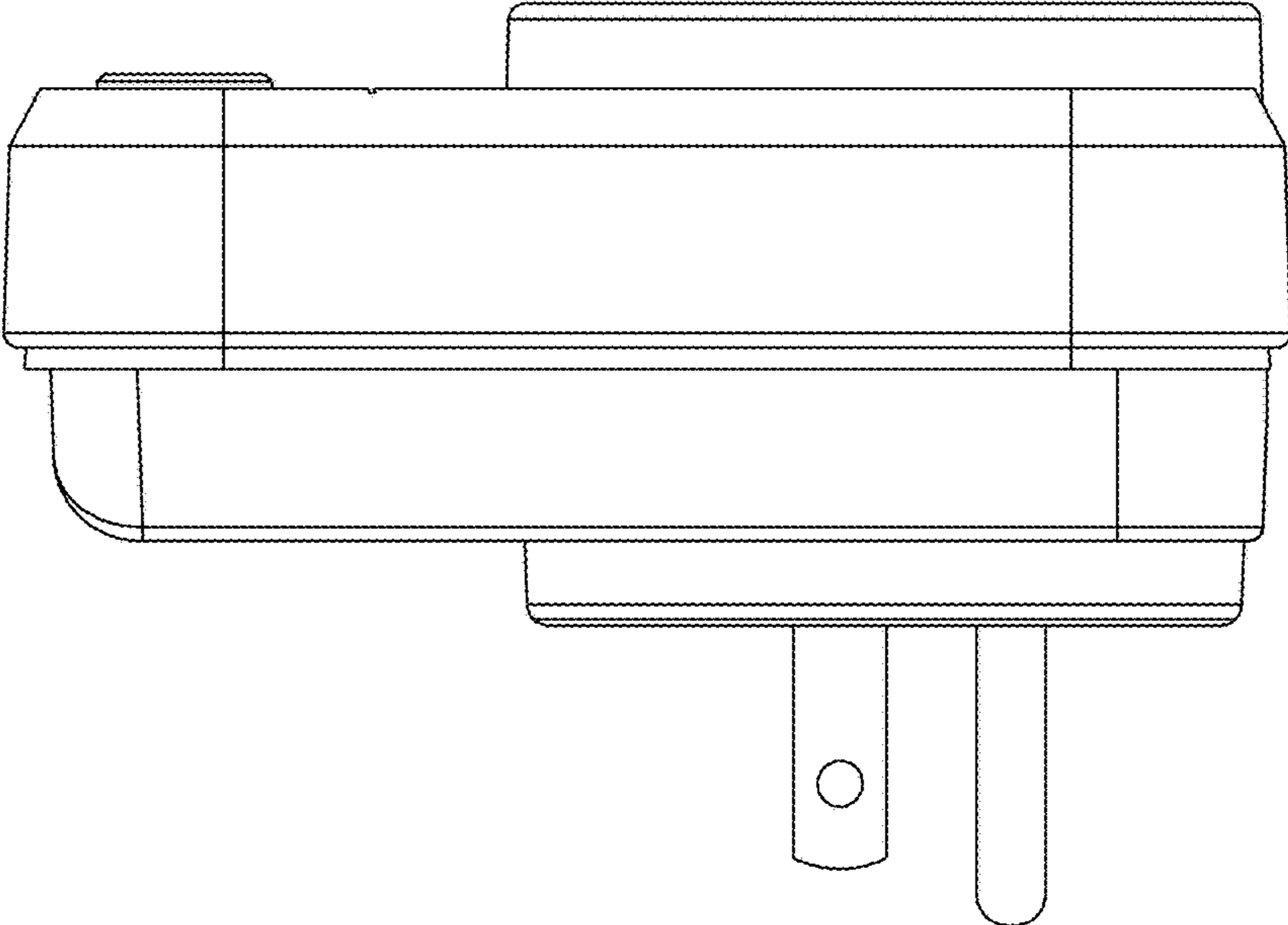


FIG. 4

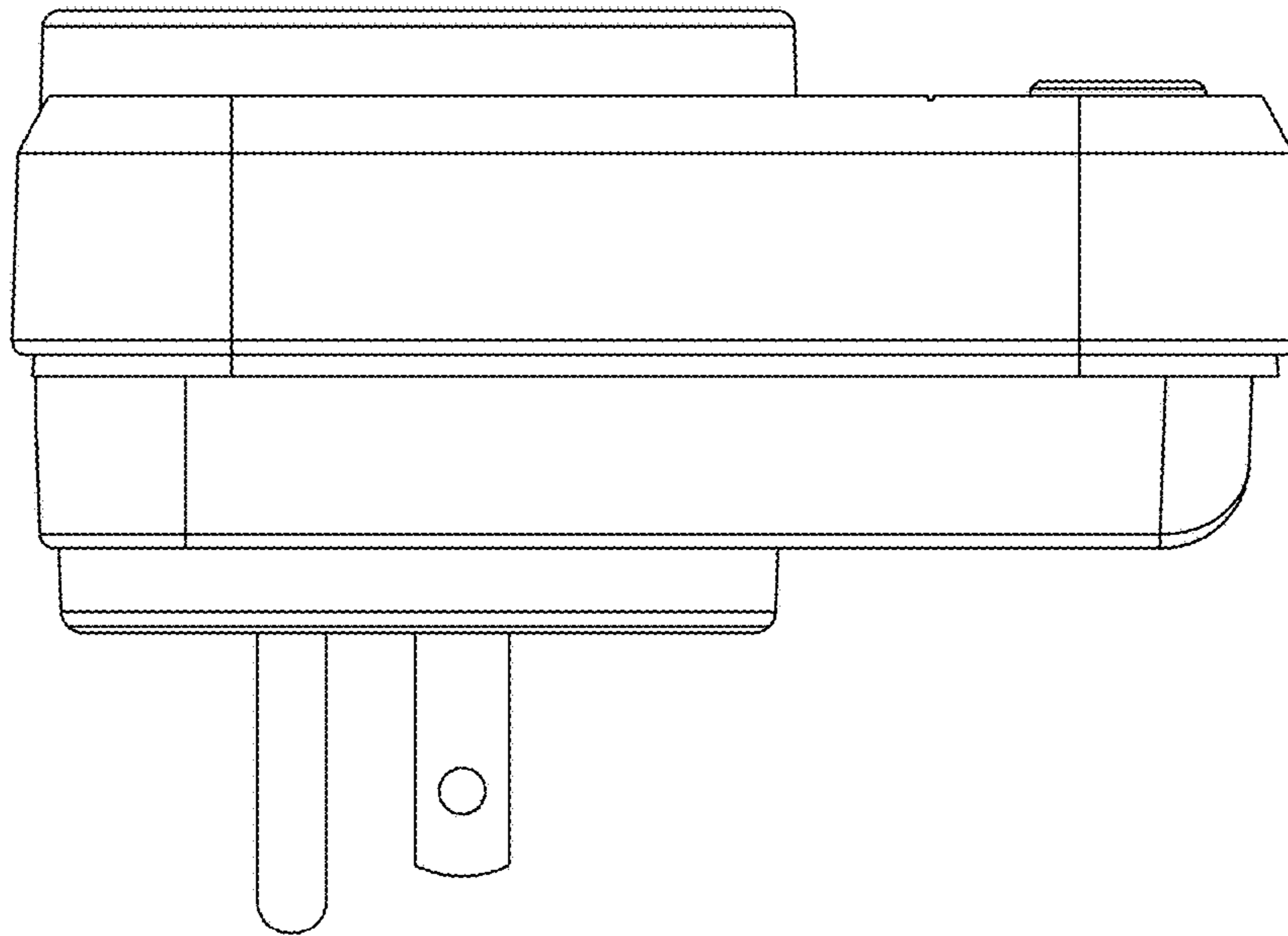


FIG. 5

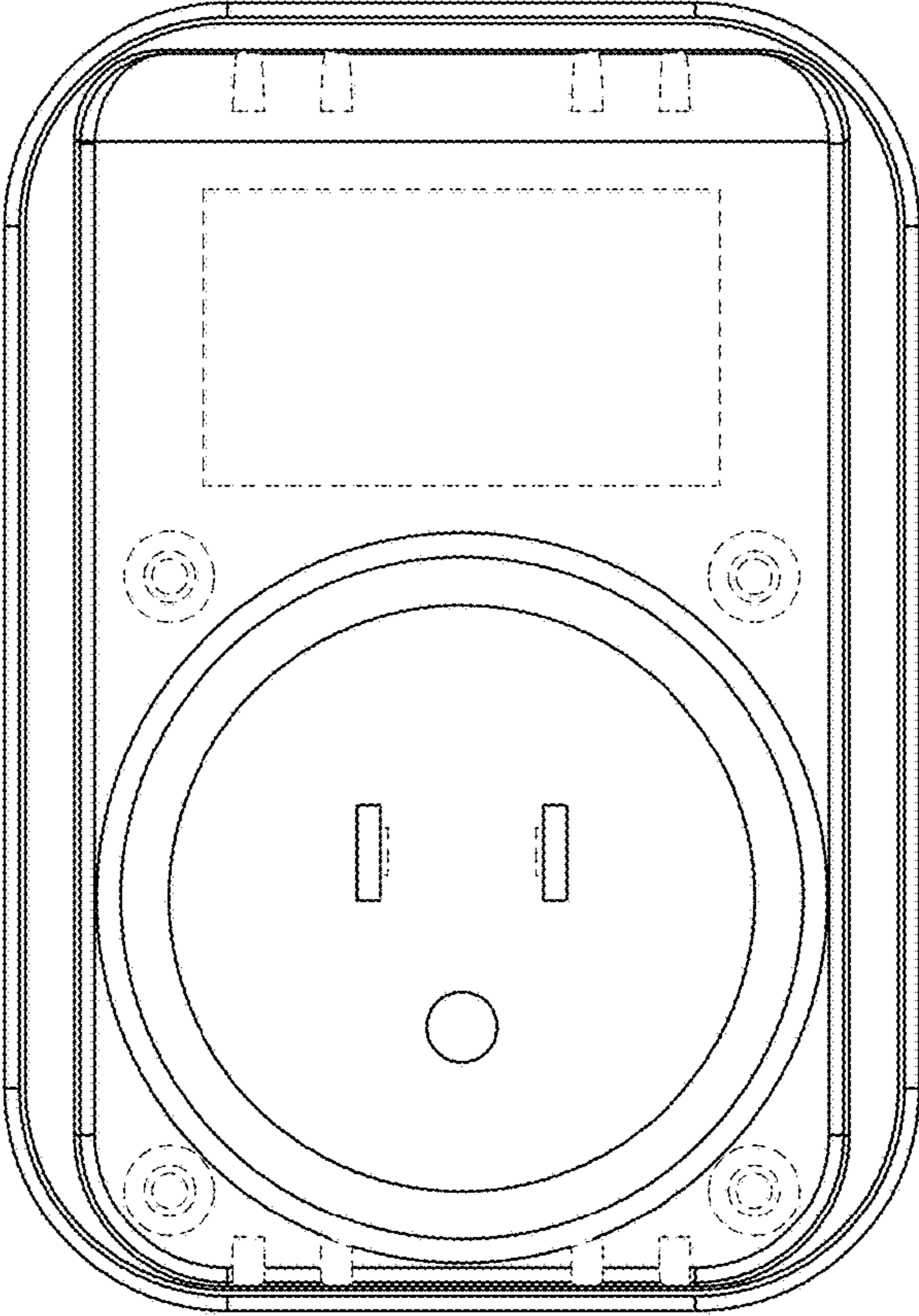


FIG. 6



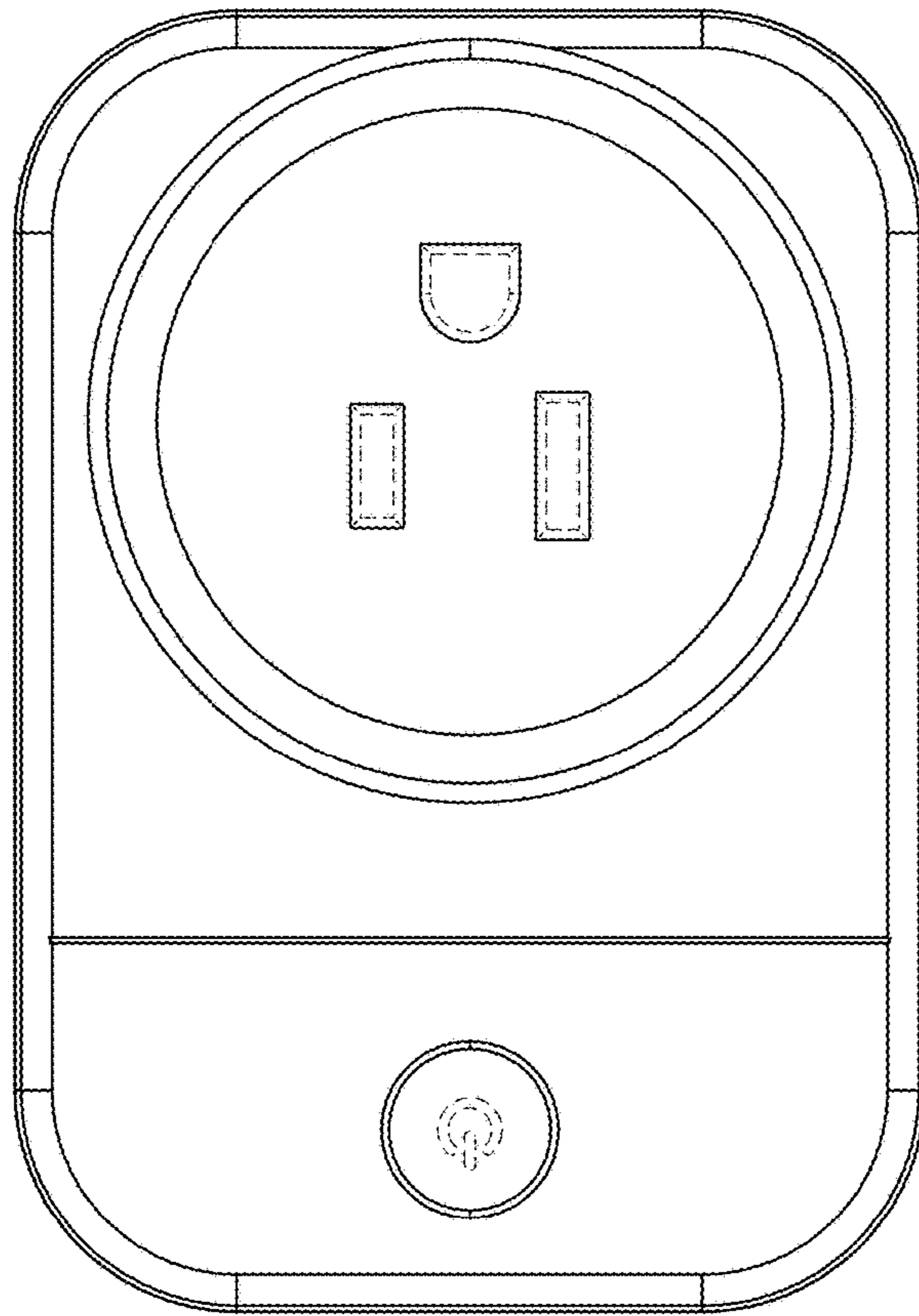


FIG. 7