



US00D864870S

(12) **United States Design Patent**
Payne

(10) **Patent No.:** **US D864,870 S**

(45) **Date of Patent:** **** Oct. 29, 2019**

(54) **CONNECTOR**

(71) Applicant: **HORIZON HOBBY, LLC,**
Champaign, IL (US)

(72) Inventor: **David Payne,** Monticello, IL (US)

(73) Assignee: **Horizon Hobby, LLC,** Champaign, IL
(US)

(**) Term: **15 Years**

(21) Appl. No.: **29/637,409**

(22) Filed: **Feb. 18, 2018**

(51) **LOC (12) Cl.** **13-03**

(52) **U.S. Cl.**
USPC **D13/133; D13/146; D13/147**

(58) **Field of Classification Search**
USPC D13/123, 133, 146, 147, 154, 184, 199;
D14/432, 433, 438, 439
CPC H01R 13/26; H01R 13/28; H01R 13/502;
H01R 13/627; H01R 13/631; H01R
13/64; H01R 13/642; H01R 24/68; H01R
24/70; H01R 24/78; H01R 25/00
See application file for complete search history.

(56) **References Cited**

U.S. PATENT DOCUMENTS

D415,467 S * 10/1999 Starkey D13/133
D550,627 S * 9/2007 Su D13/147

D572,195 S * 7/2008 Lin D13/133
D622,225 S * 8/2010 McNutt D13/154
D691,089 S * 10/2013 Suzuki D13/146
D777,676 S * 1/2017 Haley D13/146
D791,706 S * 7/2017 Li D13/147
D805,035 S * 12/2017 Zhuang D13/146
D820,264 S * 6/2018 Lai D14/433
D826,873 S * 8/2018 Shim D13/184
D832,217 S * 10/2018 Lai D13/146
2018/0351298 A1 * 12/2018 Kato H01R 13/518

* cited by examiner

Primary Examiner — Angela J Lee

Assistant Examiner — Shawn T Gingrich

(74) *Attorney, Agent, or Firm* — Baker Botts LLP

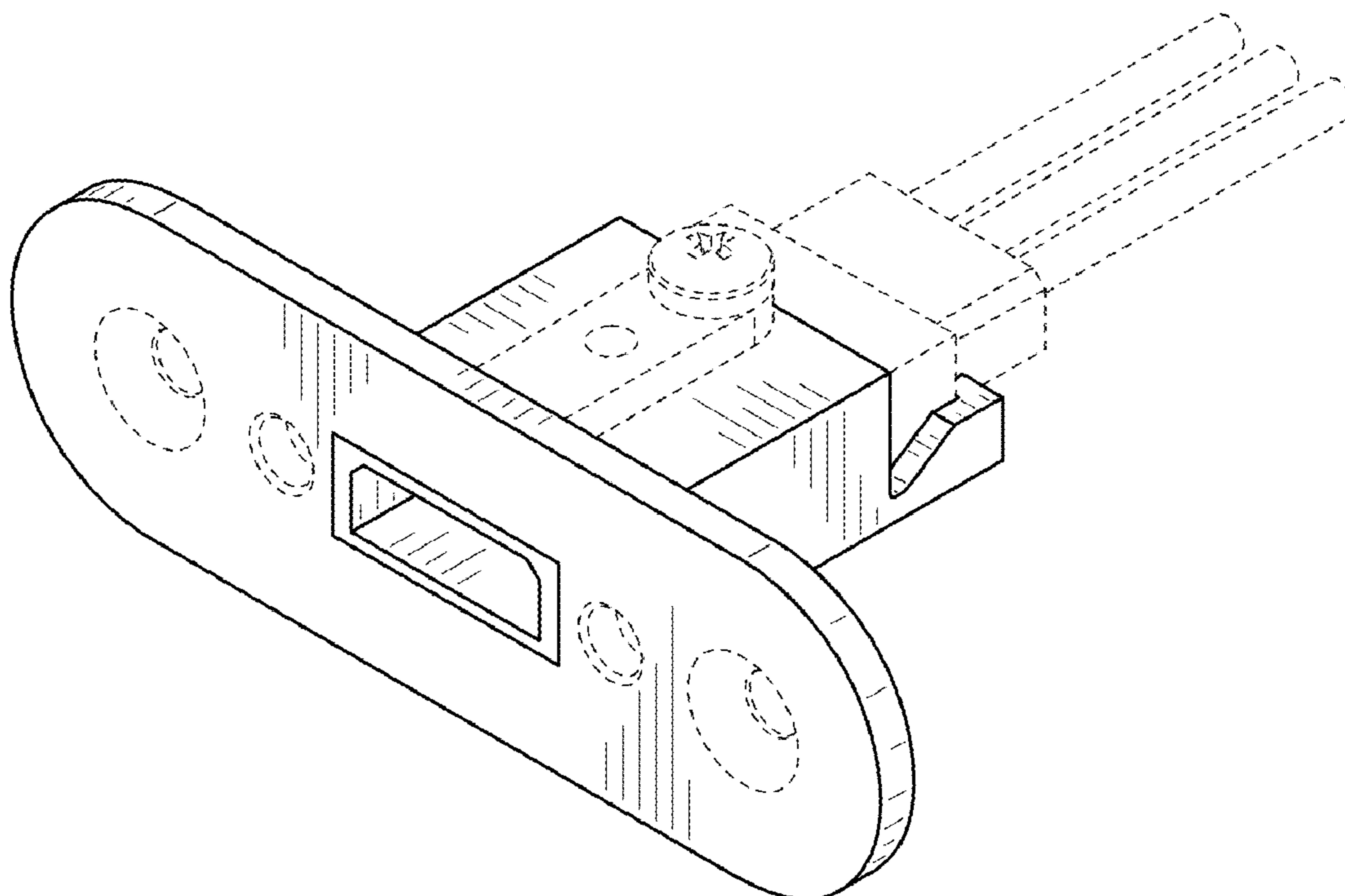
(57) **CLAIM**

The ornamental design for a connector, as shown and described.

DESCRIPTION

FIG. 1 is a perspective view of a connector, showing my new design;
FIG. 2 is a front elevational view thereof;
FIG. 3 is a rear elevational view thereof;
FIG. 4 is a left side elevational view thereof;
FIG. 5 is a right side elevational view thereof;
FIG. 6 is a top plan view thereof; and,
FIG. 7 is a bottom plan view thereof.

1 Claim, 3 Drawing Sheets



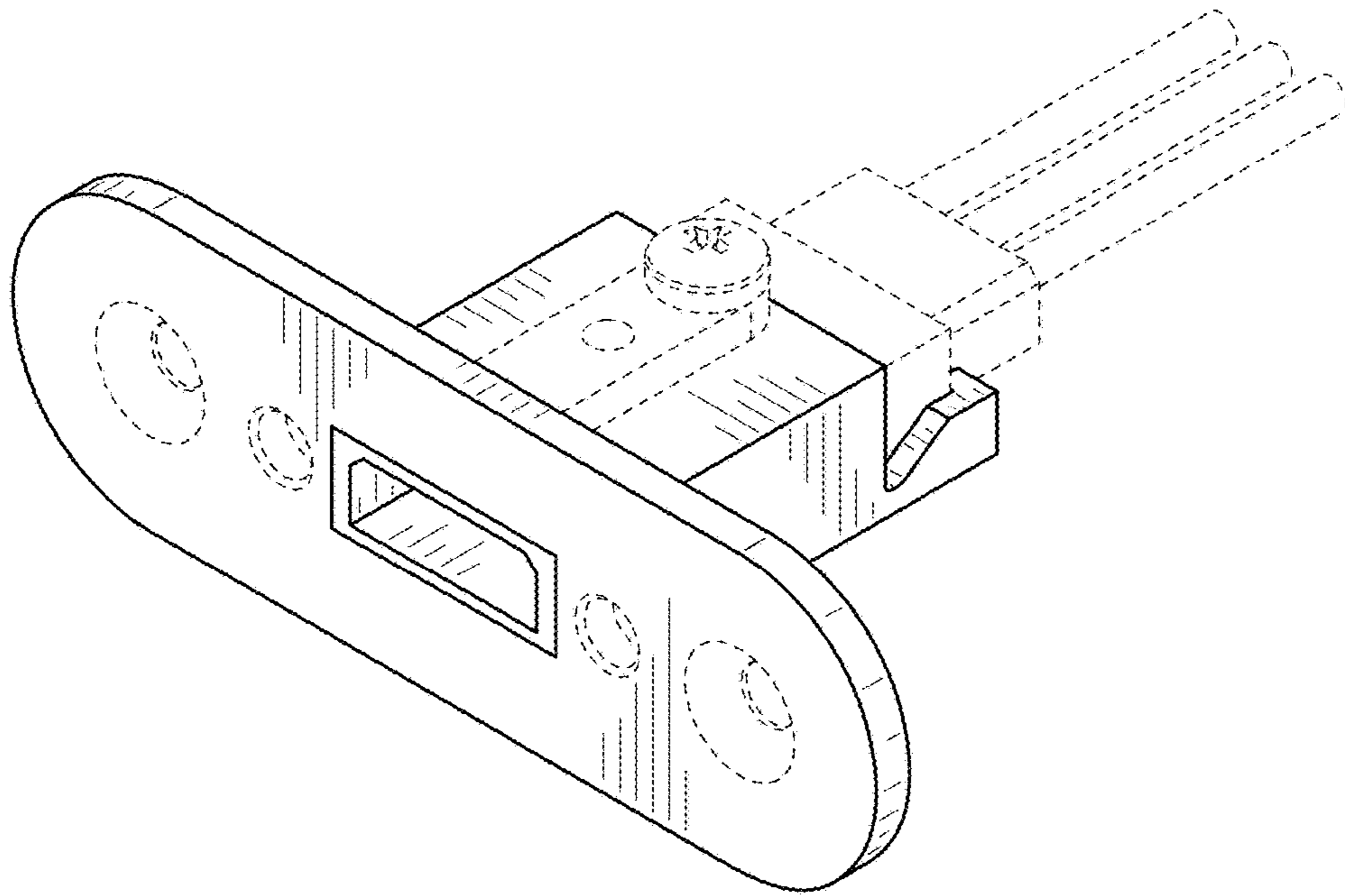


FIG. 1

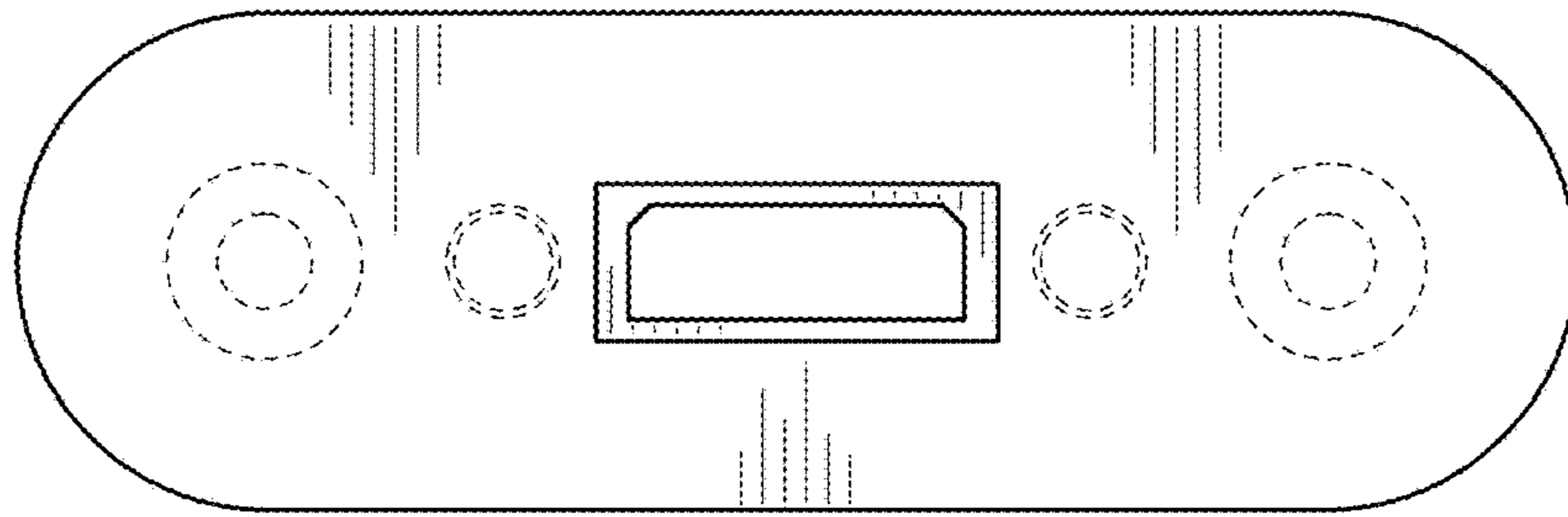


FIG. 2

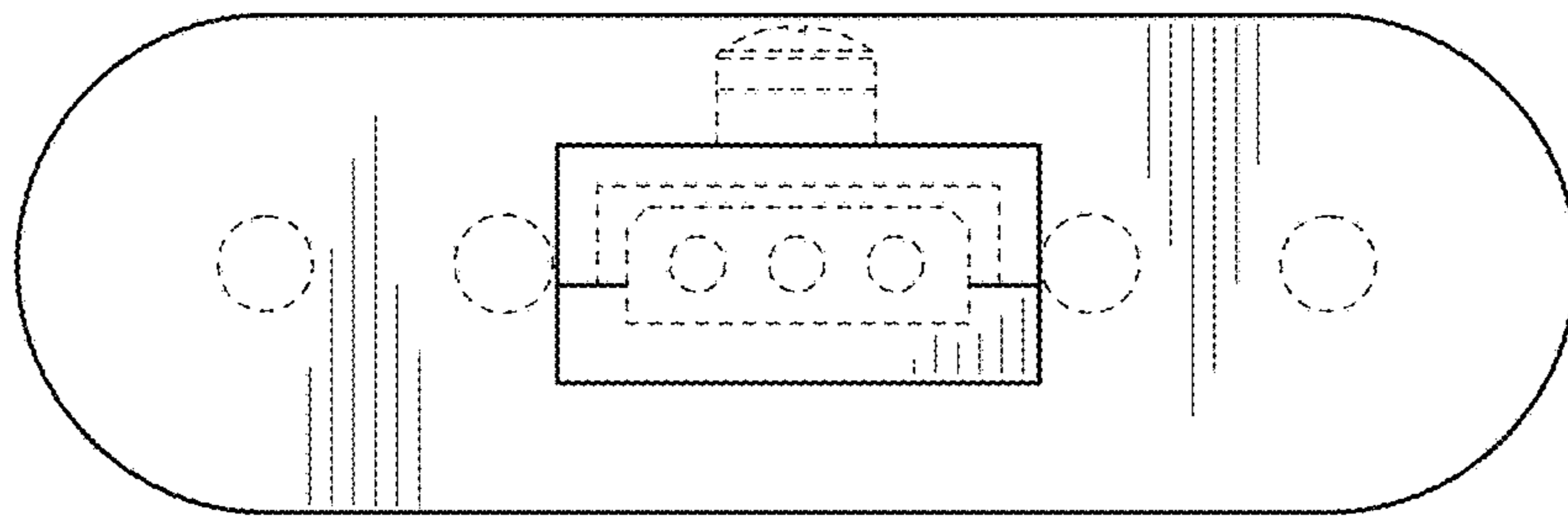


FIG. 3

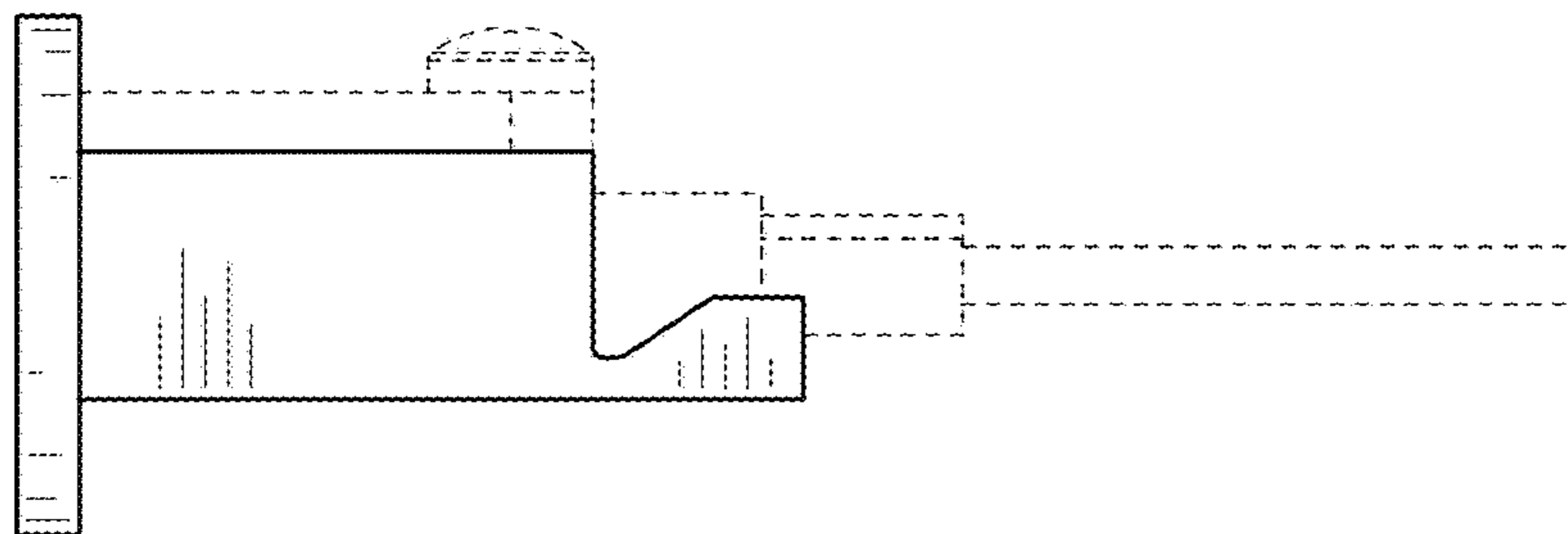


FIG. 4

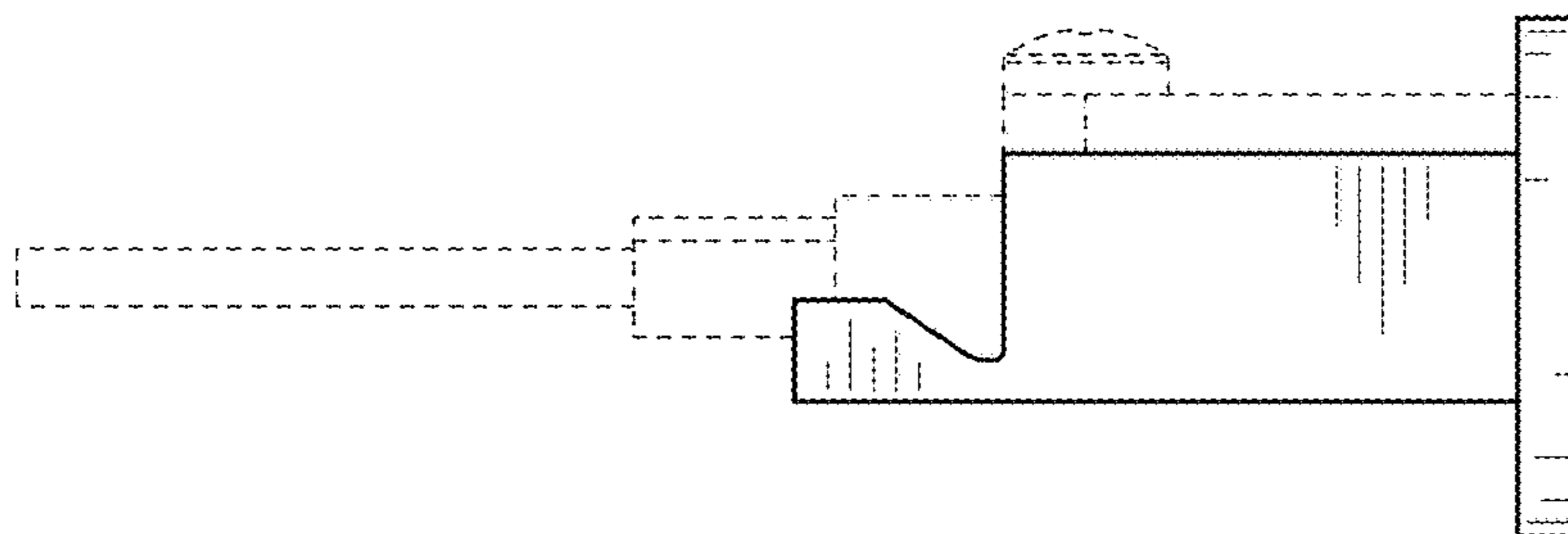


FIG. 5

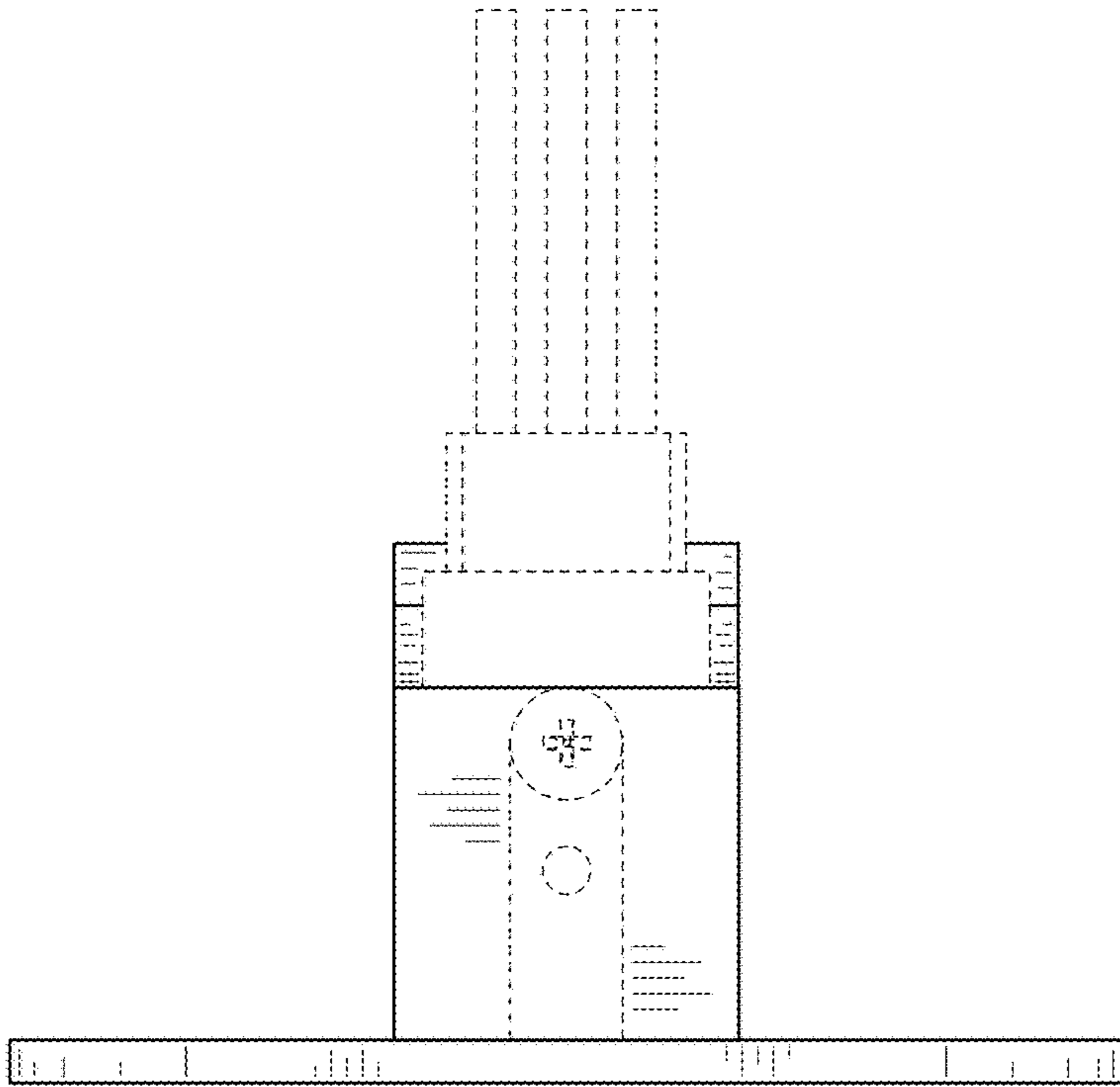


FIG. 6

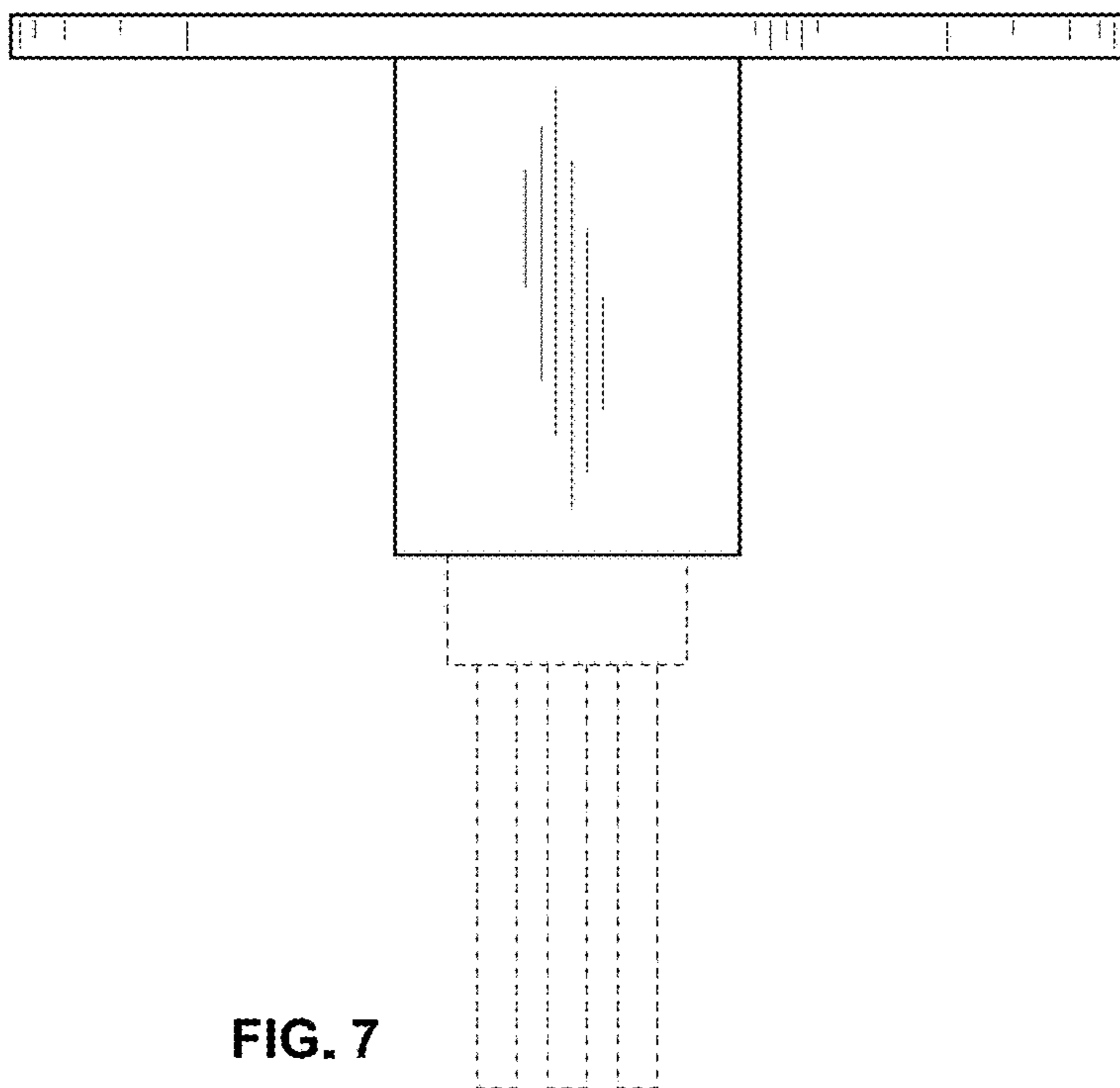


FIG. 7