



US00D864868S

(12) **United States Design Patent** (10) **Patent No.:** **US D864,868 S**
Tenzer (45) **Date of Patent:** **** Oct. 29, 2019**

(54) ELECTRIC POWER CONTROLLER	8,921,713 B2 * 12/2014 Eriksson H01H 9/0066 174/541
(71) Applicant: ELLENBERGER & POENSGEN GMBH , Altdorf (DE)	D786,796 S * 5/2017 Frye D13/133 D796,439 S * 9/2017 Nada D13/123 D797,672 S * 9/2017 Nada D13/123 D798,236 S * 9/2017 Nada D13/123 D799,474 S * 10/2017 Menendez D14/313 D800,076 S * 10/2017 Lin D13/162 D804,417 S * 12/2017 Baacke D13/110 D811,327 S * 2/2018 Mueller D13/110 D811,349 S * 2/2018 Huettemeier D13/158 D811,350 S * 2/2018 Huettemeier D13/158 D811,437 S * 2/2018 Li D15/5 D812,019 S * 3/2018 Kato D13/162
(72) Inventor: Judith Tenzer , Ulm (DE)	2007/0222543 A1 * 9/2007 Schmidt H01H 71/70 335/14
(73) Assignee: Ellenberger & Poensgen GmbH , Altdorf (DE)	2009/0145882 A1 * 6/2009 Birner H01H 9/34 218/40
(**) Term: 15 Years	
(21) Appl. No.: 29/653,534	
(22) Filed: Jun. 15, 2018	

(Continued)

Related U.S. Application Data

(62) Division of application No. 35/502,772, filed on Mar. 9, 2017 (U.S. filing date under 35 U.S.C. 384), and having an international filing date of Mar. 9, 2017.

(51) **LOC (12) Cl.** **13-03**

(52) **U.S. Cl.**
USPC **D13/123**

(58) **Field of Classification Search**
USPC D13/123, 160, 159, 158, 162, 147, 133,
D13/110; D15/5; D14/313; 335/14;
218/40; 439/884; 174/541
CPC G01K 7/023; H01H 71/70; H01H 9/34;
H01H 9/0066
See application file for complete search history.

Primary Examiner — Rhea Shields

(74) *Attorney, Agent, or Firm* — Laurence A. Greenberg; Werner H. Stemer; Ralph E. Locher

(57) **CLAIM**

The ornamental design for an electric power controller, as shown and described.

DESCRIPTION

FIG. 1 is a front perspective view of the electric power controller showing my new invention;
FIG. 2 is a front elevation view thereof;
FIG. 3 is a rear elevation view thereof;
FIG. 4 is a top plan view thereof;
FIG. 5 is a bottom plan view thereof;
FIG. 6 is a right side elevation view thereof;
FIG. 7 is a left side elevation view thereof; and,
FIG. 8 is a rear perspective view thereof.

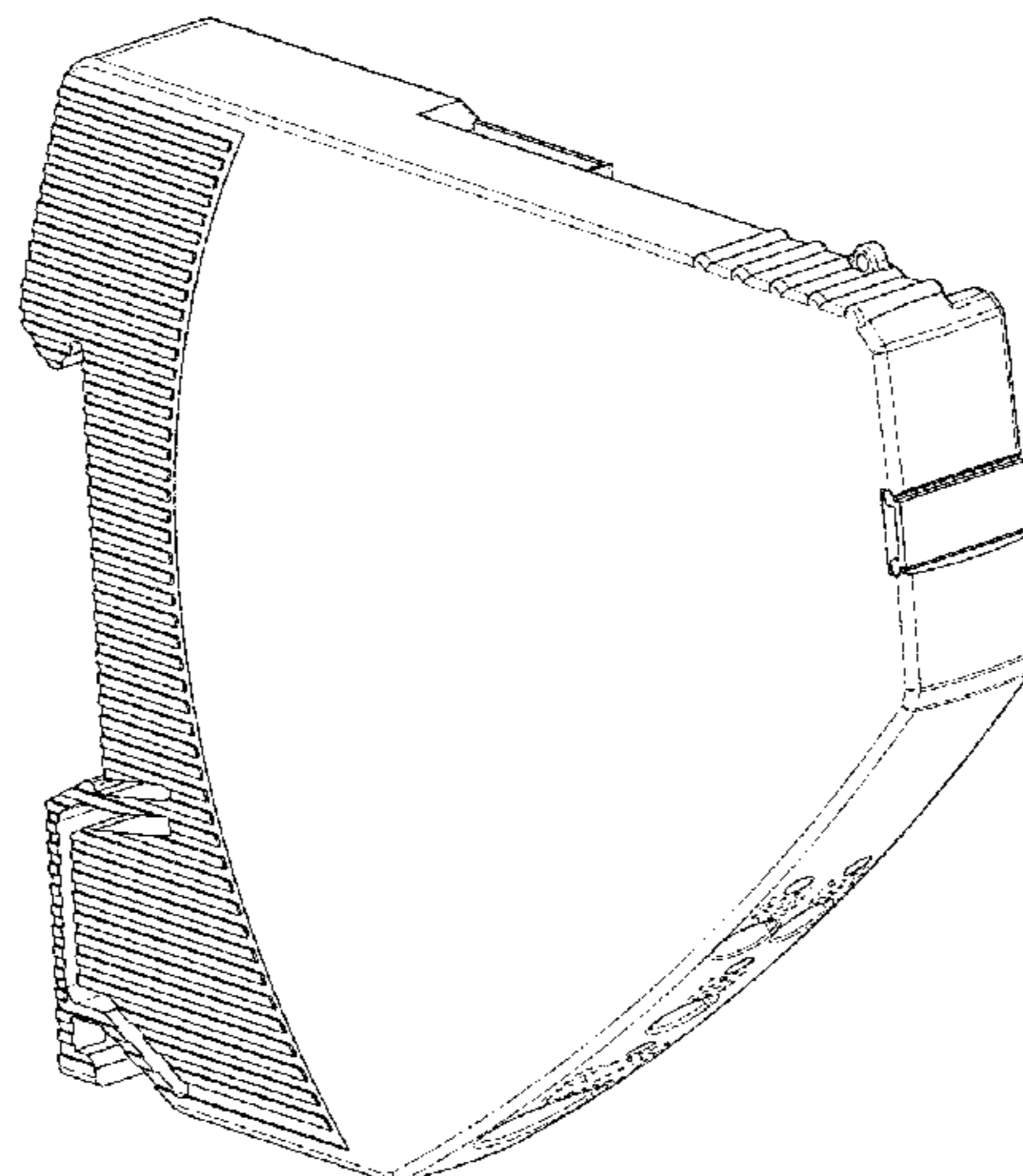
In the drawings, the broken lines are for the purpose of illustrating environment only and form no part of the claimed design.

(56) **References Cited**

U.S. PATENT DOCUMENTS

D367,041 S * 2/1996 Alfaro D13/160
D541,754 S * 5/2007 Sasaki D13/359
D567,191 S * 4/2008 Eichinger D13/158
D659,650 S * 5/2012 Kang D13/162
D672,319 S * 12/2012 Winkler D13/160
D685,331 S * 7/2013 Correll D13/147

1 Claim, 8 Drawing Sheets



(56)

References Cited

U.S. PATENT DOCUMENTS

2012/0071038 A1* 3/2012 Ondusko G01K 7/023
439/884

* cited by examiner

FIG. 1

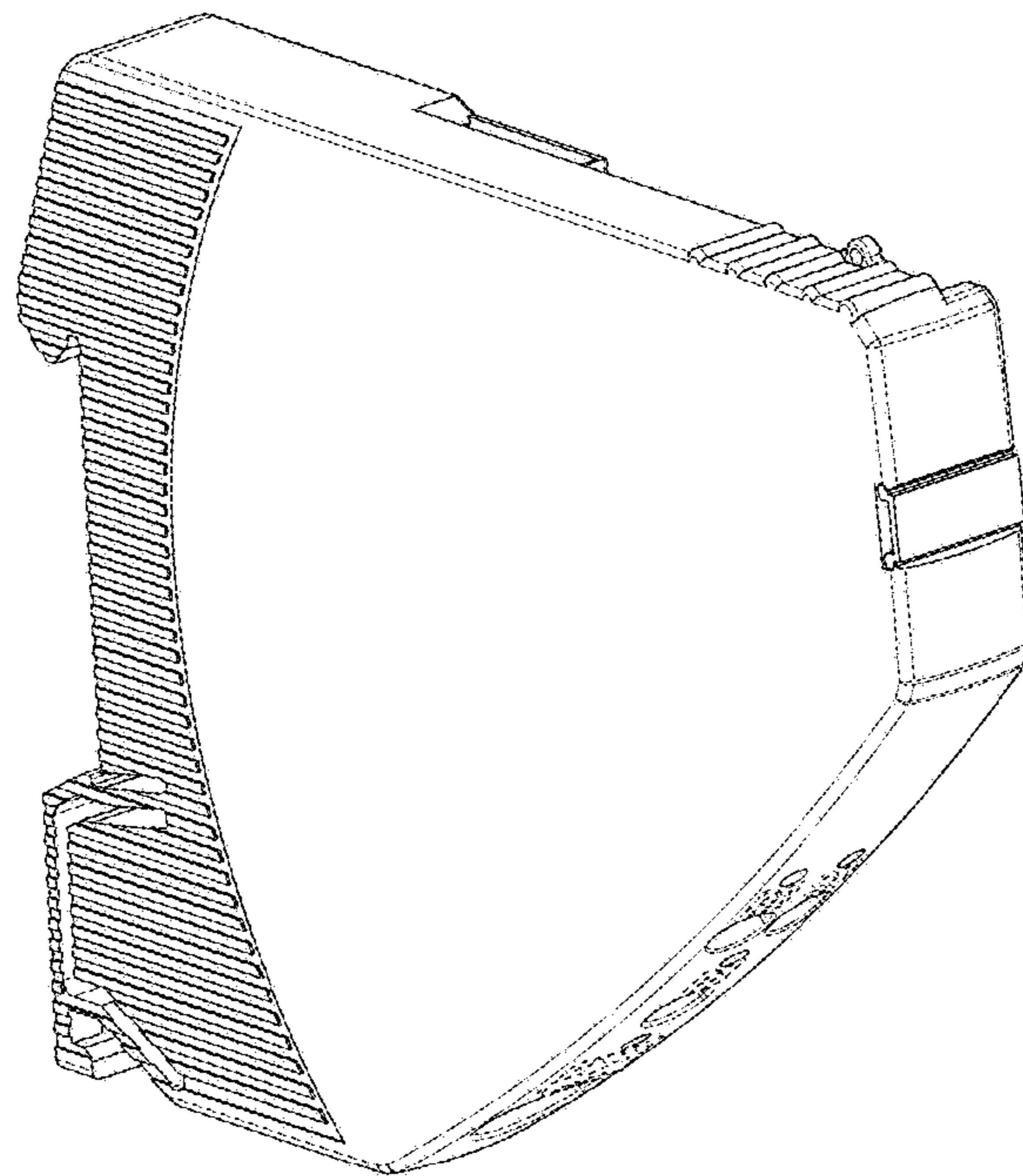


FIG. 2

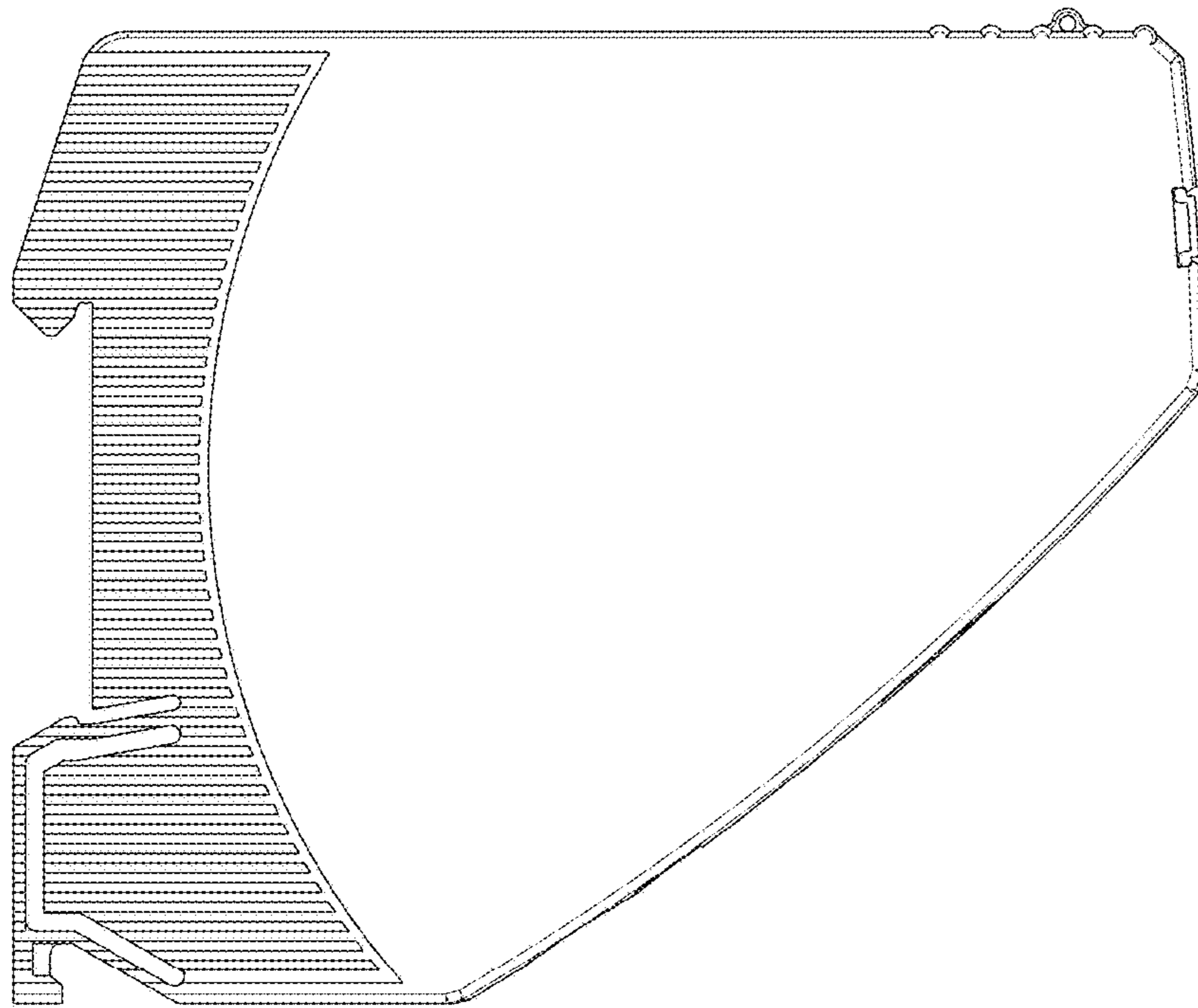


FIG. 3

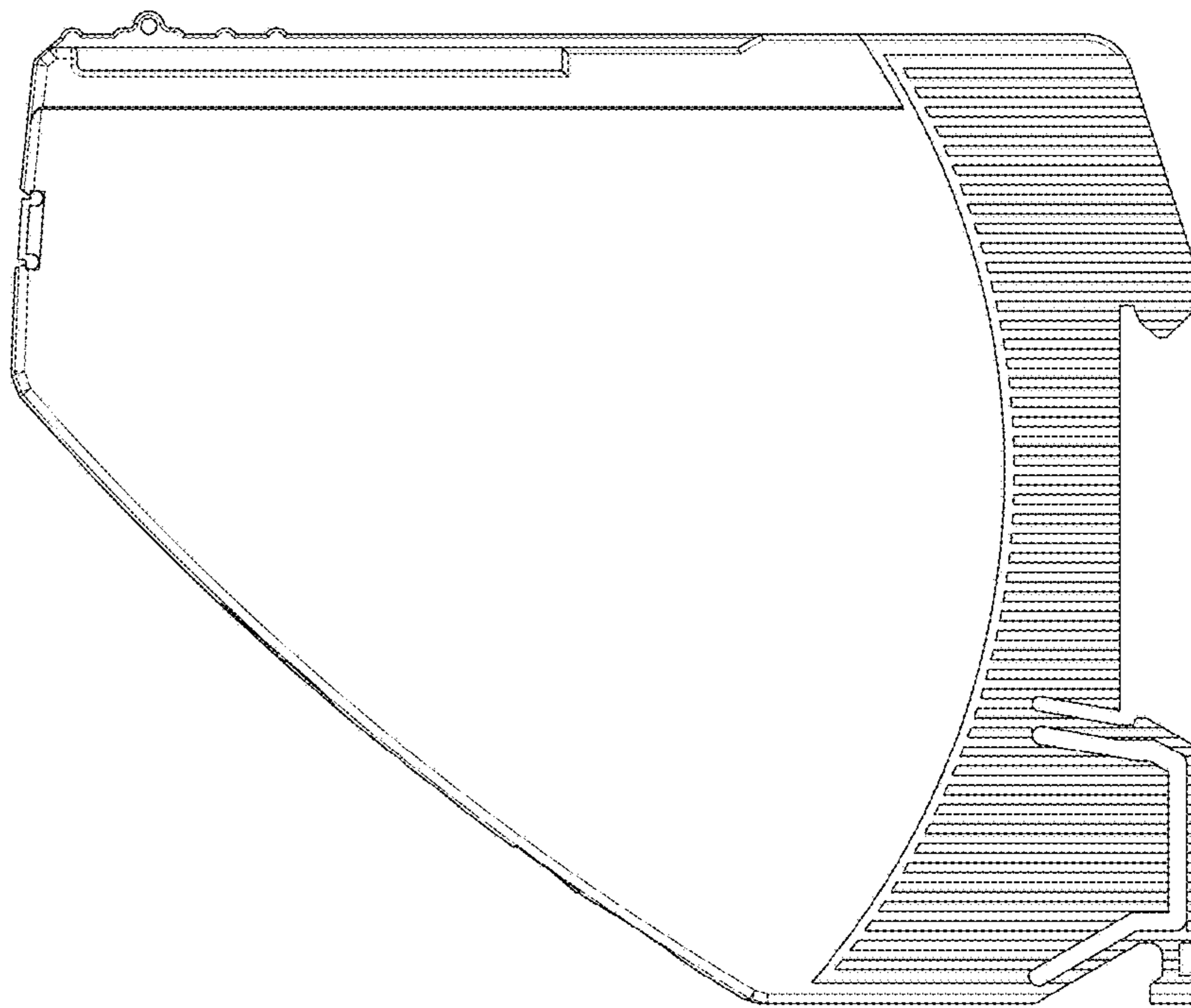


FIG. 4

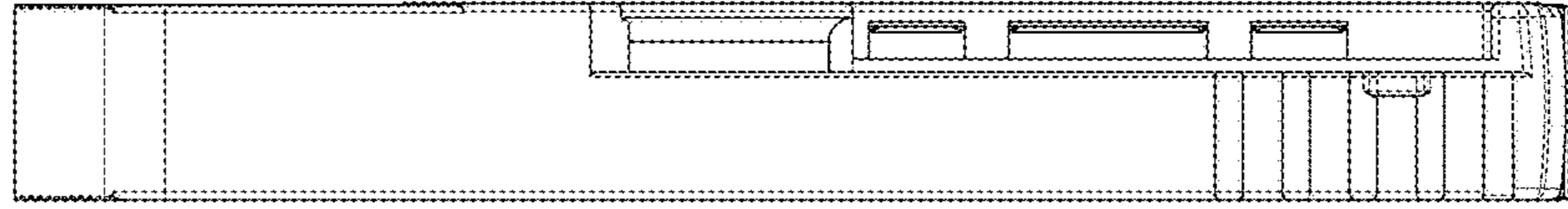


FIG. 5

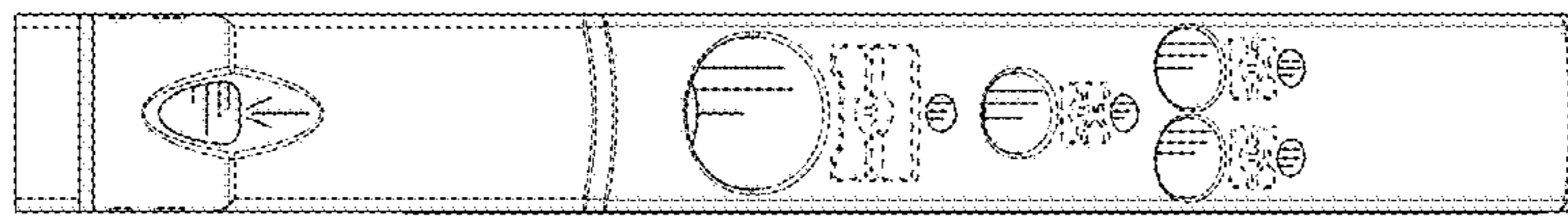


FIG. 6

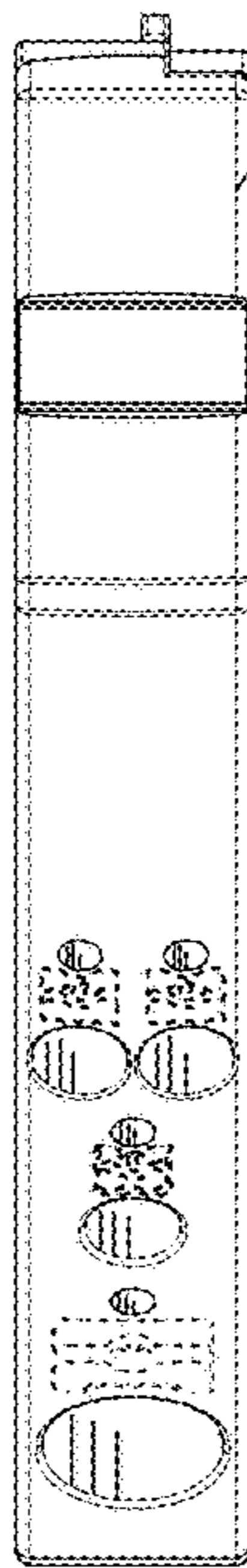


FIG. 7

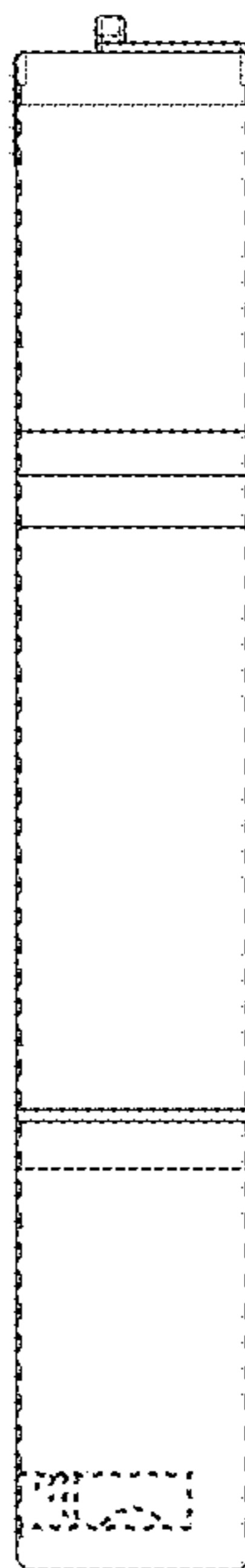


FIG. 8

