



US00D864867S

(12) **United States Design Patent** (10) **Patent No.:** **US D864,867 S**
Shirouzu et al. (45) **Date of Patent:** **** Oct. 29, 2019**

(54) **CORE FOR ELECTROMAGNETIC DEVICE**

8,624,697 B2 * 1/2014 Shang H01F 27/306
336/212

(71) Applicant: **FANUC CORPORATION**, Yamanashi (JP)

D714,717 S 10/2014 Nakanoue et al.
9,780,607 B2 10/2017 Weiske
9,805,855 B2 * 10/2017 Noguchi C22C 33/0264
D826,857 S * 8/2018 Imanishi D13/118

(72) Inventors: **Masatomo Shirouzu**, Yamanashi (JP);
Takafumi Kajiya, Yamanashi (JP);
Takuya Maeda, Yamanashi (JP);
Kenichi Tsukada, Yamanashi (JP)

2017/0011842 A1 1/2017 Ishigaki et al.
2017/0154718 A1 6/2017 Maeda et al.

(Continued)

(73) Assignee: **FANUC CORPORATION** (JP)

FOREIGN PATENT DOCUMENTS

(**) Term: **15 Years**

CN 101483359 A 7/2009
CN 105393434 A 3/2016
JP 53073352 A 6/1978

(21) Appl. No.: **29/618,274**

(Continued)

(22) Filed: **Sep. 20, 2017**

OTHER PUBLICATIONS

(30) **Foreign Application Priority Data**

Notice of Allowance and Search Report for Taiwanese Application No. 106305600, dated Apr. 19, 2018, including English translation, 4 pages.

Mar. 23, 2017 (JP) 2017-005947

(51) **LOC (12) Cl.** **13-02**

(52) **U.S. Cl.**
USPC **D13/118**

(58) **Field of Classification Search**
USPC D23/249; D13/159, 178, 118, 183, 117,
D13/101, 133, 179, 199; 336/192, 212,
336/175

CPC H01F 27/25; H01F 27/24; H02K 1/14;
H02K 15/02

See application file for complete search history.

Primary Examiner — Cynthia Ramirez

Assistant Examiner — Gino Colan

(74) *Attorney, Agent, or Firm* — RatnerPrestia

(57) **CLAIM**

The ornamental design for a core for an electromagnetic device, as shown and described.

DESCRIPTION

FIG. 1 is a perspective view of a core for electromagnetic device showing our new design;

FIG. 2 is a top plan view thereof; the bottom plan view is a mirror image of the top plan view

FIG. 3 is a front elevational view thereof;

FIG. 4 is a rear elevational view thereof; and,

FIG. 5 is a right side elevational view thereof; the left side elevational view is a mirror image of the right side elevational view.

(56) **References Cited**

U.S. PATENT DOCUMENTS

4,897,626 A * 1/1990 Fitter H01F 17/04
336/175

D330,189 S * 10/1992 Burrow D13/118

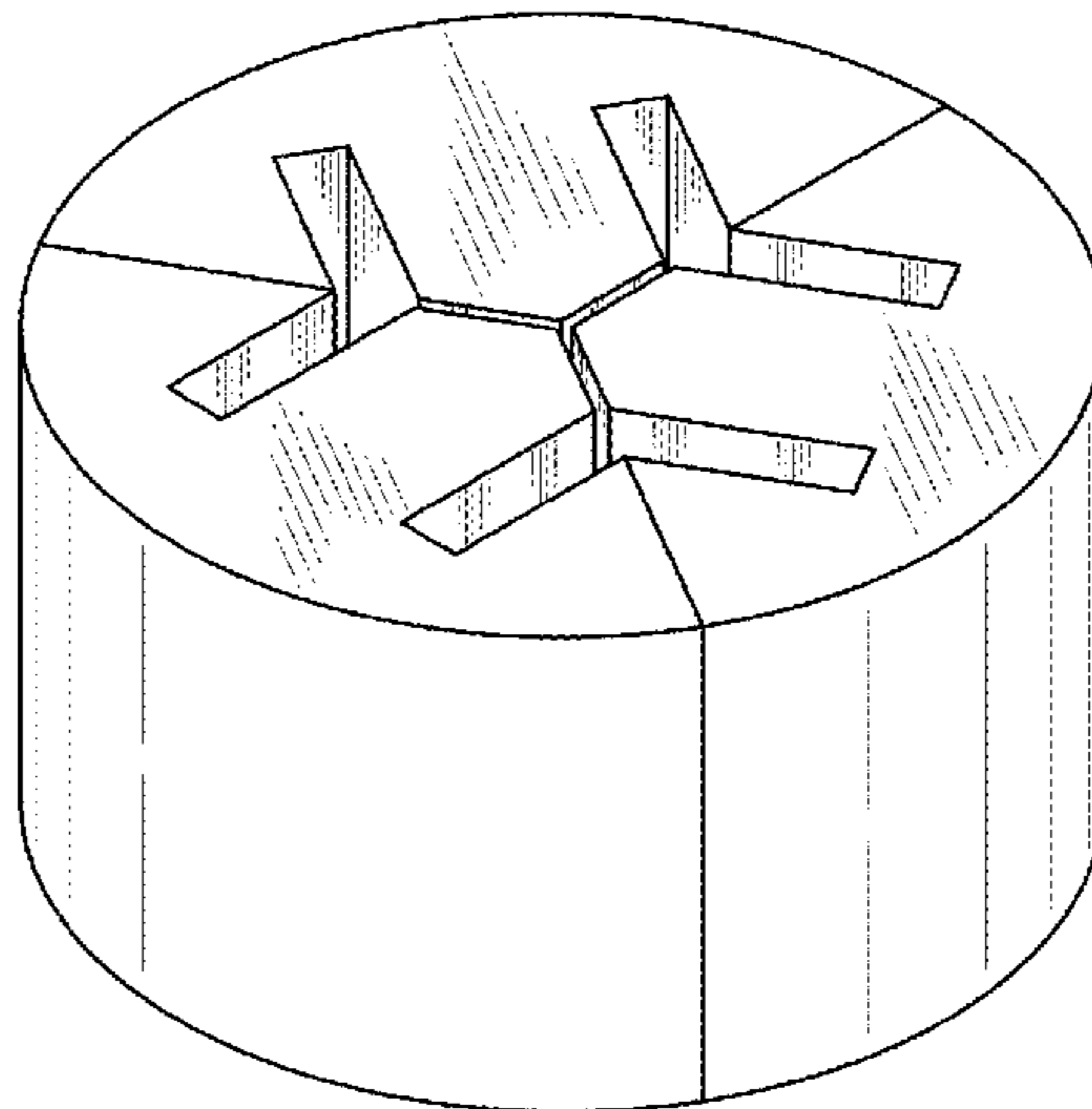
D330,541 S * 10/1992 Burrow D13/118

7,148,782 B2 * 12/2006 Hirzel H01F 27/25
336/212

D613,245 S * 4/2010 Honna D13/118

8,294,326 B2 10/2012 Chai et al.

1 Claim, 3 Drawing Sheets



(56)

References Cited

U.S. PATENT DOCUMENTS

2018/0322996 A1* 11/2018 Kobayashi H01F 27/24

FOREIGN PATENT DOCUMENTS

JP	2005192044	A	7/2005
JP	2008177500	A	7/2008
JP	2010252539	A	11/2010
JP	2013074084	A	4/2013
JP	2015159657	A	9/2015
JP	2017059805	A	3/2017
JP	2017103269	A	6/2017
JP	2017139438	A	8/2017
TW	M499003	U	4/2005
TW	I331835	B	10/2010
TW	M485570	U	9/2014

* cited by examiner

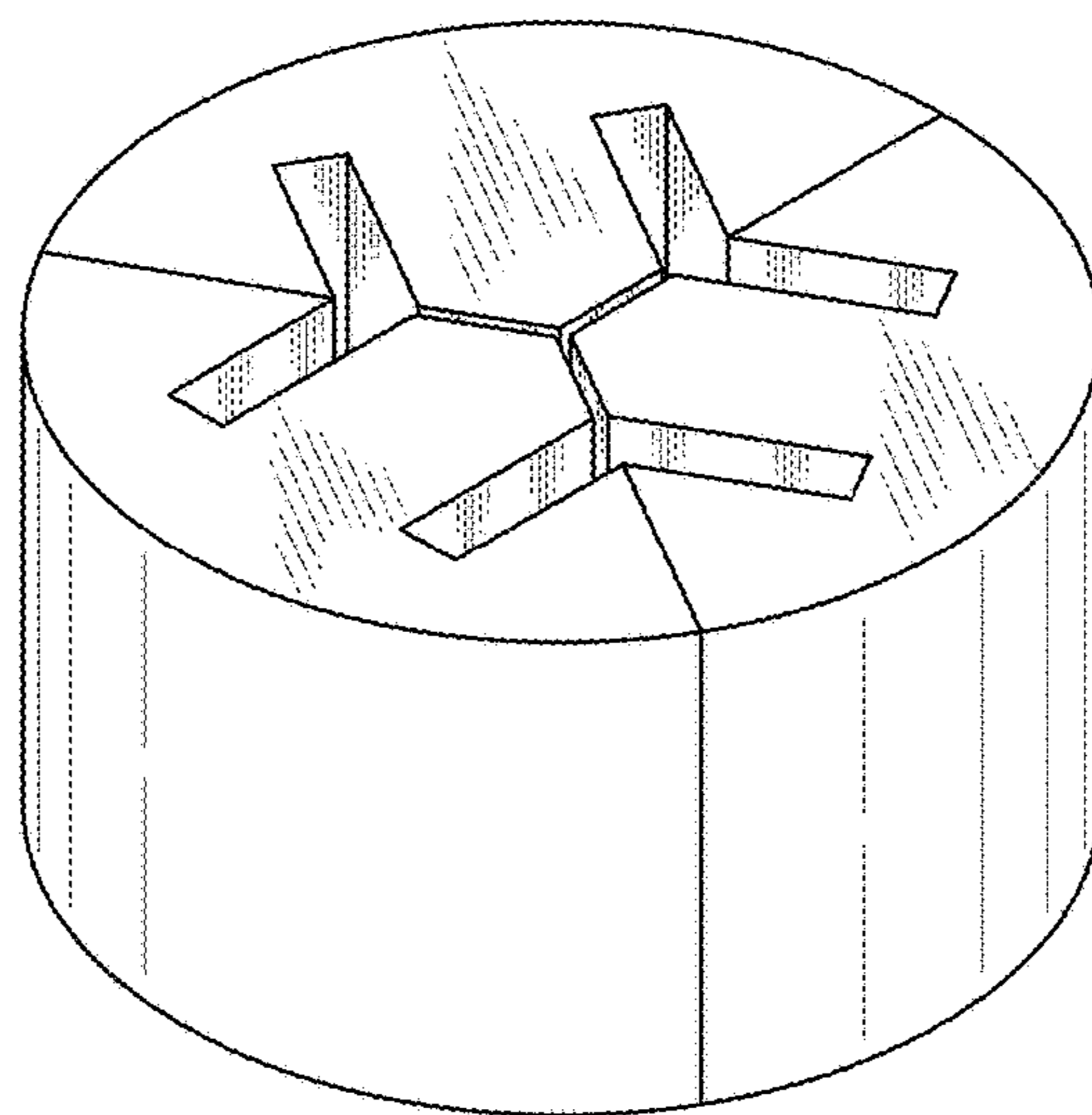


FIG. 1

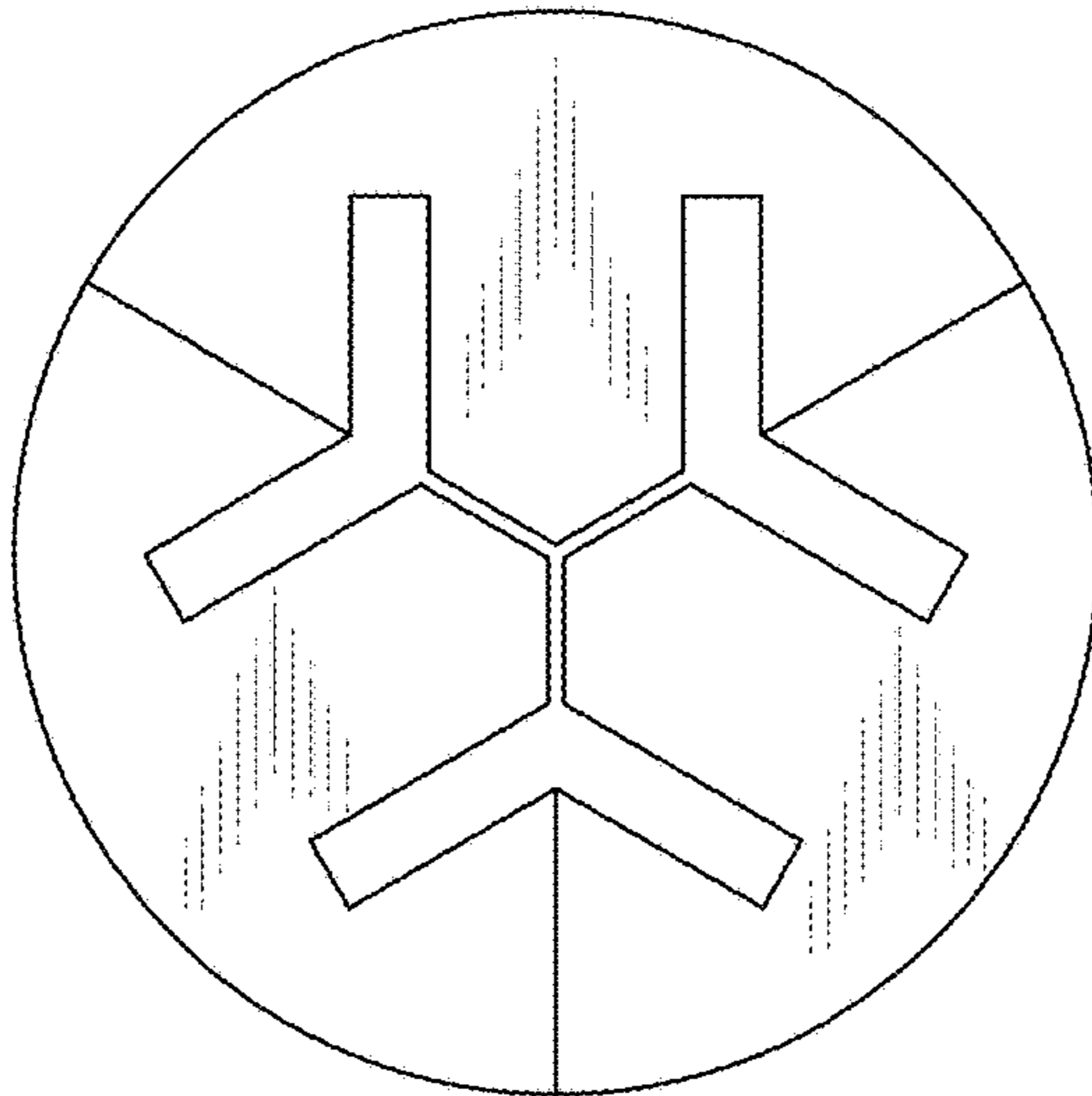


FIG. 2

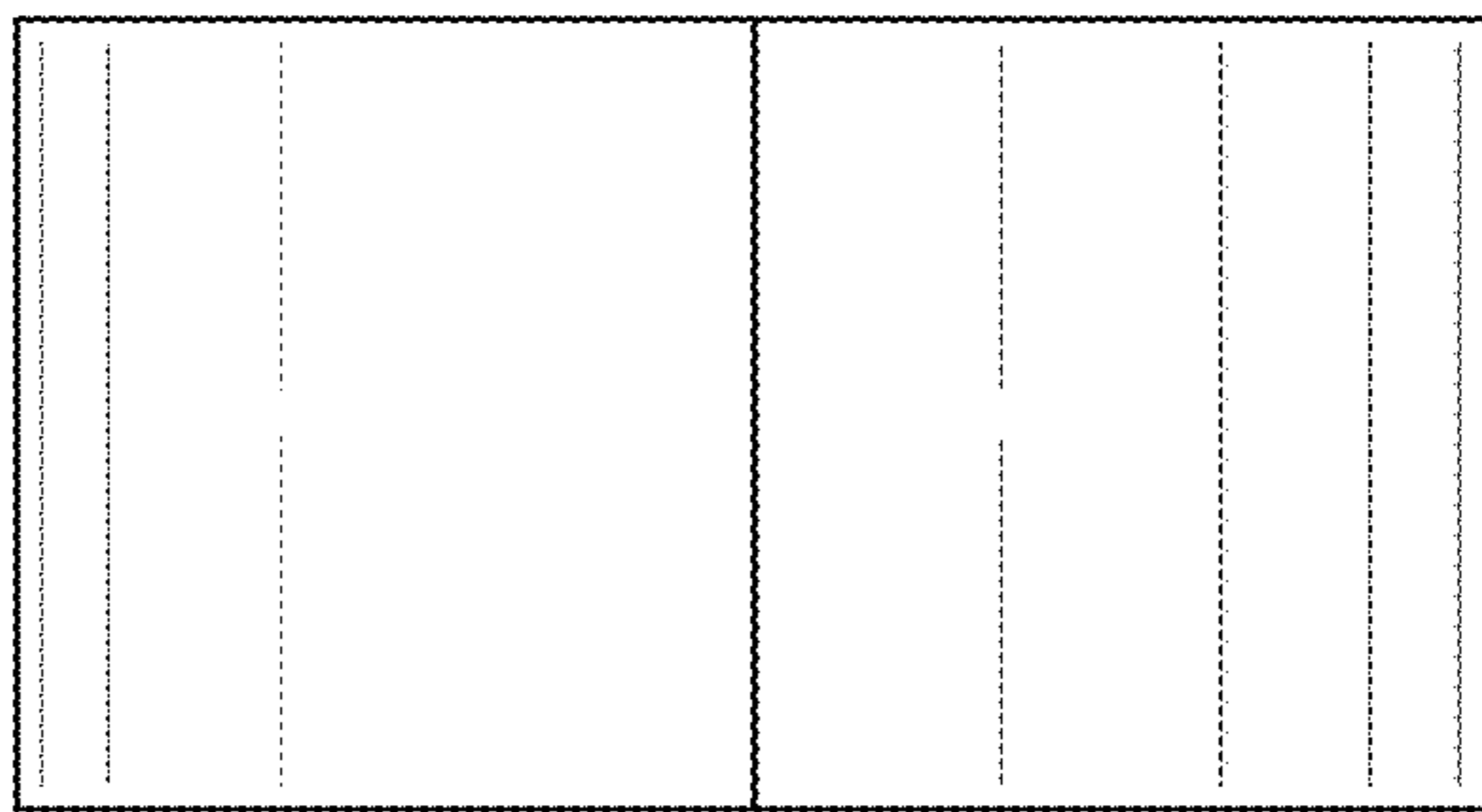


FIG. 3

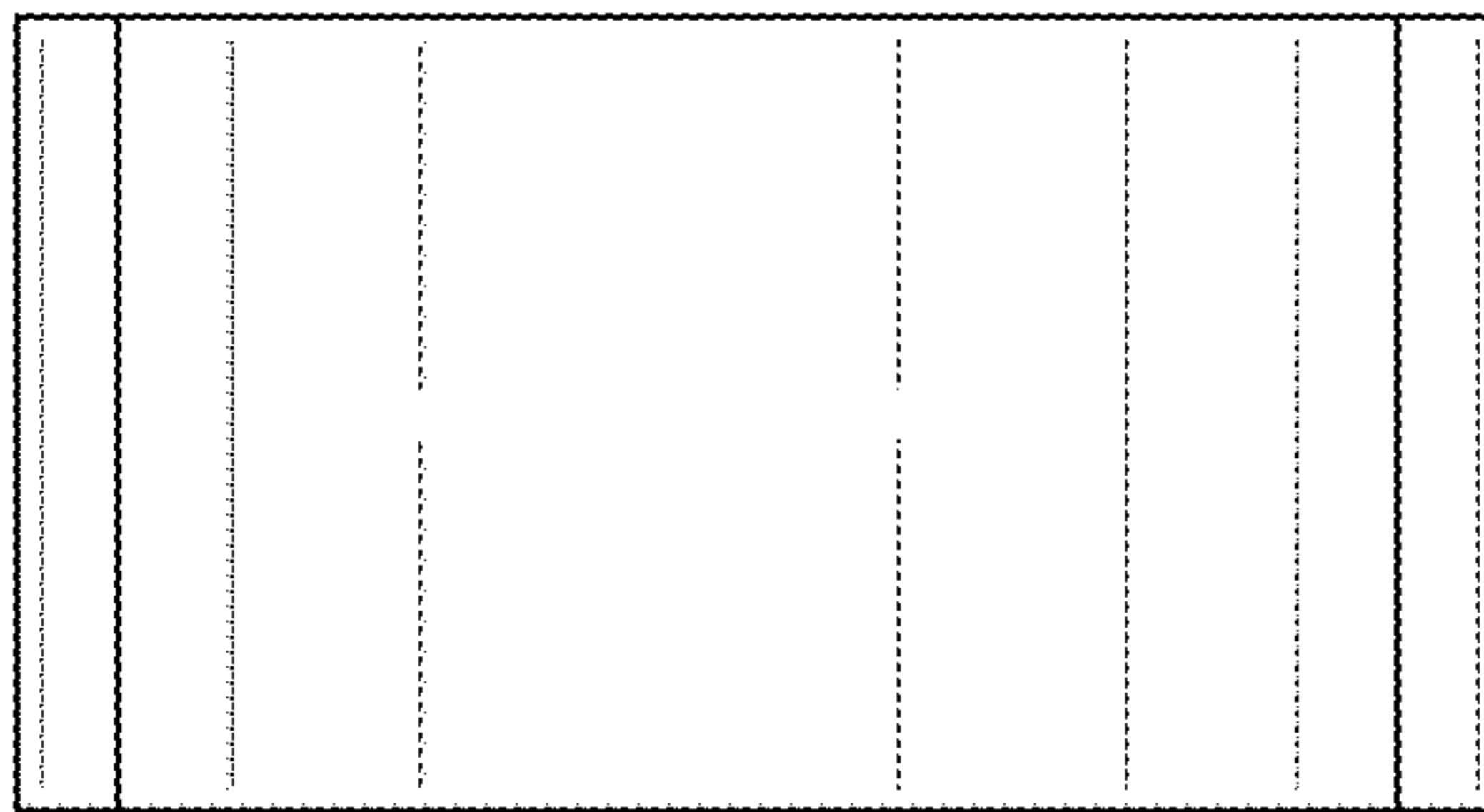


FIG. 4

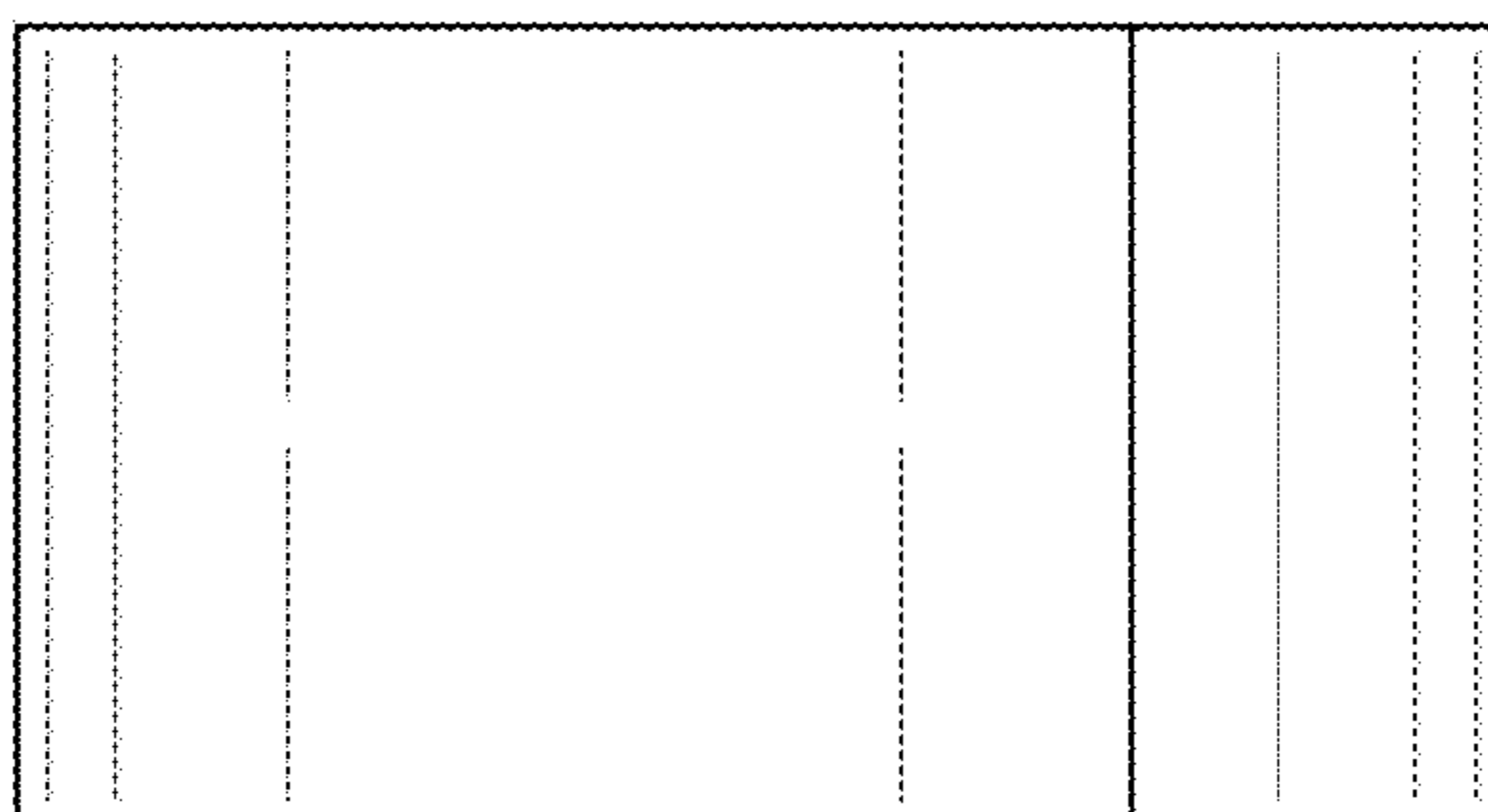


FIG. 5