



US00D864866S

(12) **United States Design Patent**
Dong et al.

(10) **Patent No.:** **US D864,866 S**

(45) **Date of Patent:** **** Oct. 29, 2019**

(54) **POWER SUPPLY**

(71) Applicant: **Guangdong Marshall Electric Vehicle Co., Ltd.**, Guangdong (CN)

(72) Inventors: **Li Dong**, Guangdong (CN); **Min Xiong**, Guangdong (CN); **Xiaomin Xie**, Guangdong (CN)

(73) Assignee: **GUANGDONG MARSHALL ELECTRIC VEHICLE CO., LTD.**, Guangdong (CN)

(**) Term: **15 Years**

(21) Appl. No.: **29/615,537**

(22) Filed: **Aug. 30, 2017**

(51) **LOC (12) Cl.** **13-01**

(52) **U.S. Cl.**
USPC **D13/116**

(58) **Field of Classification Search**
USPC D13/110, 116, 101, 102, 103, 107, 108, D13/118, 119, 123, 184, 199; 307/62, 307/82, 109, 150, 151; 320/104, 107, 320/111, 112, 113, 115, 132, 134, 150; 361/600, 601, 623; 429/96, 97, 98, 99, 429/100, 163, 170, 176
CPC .. H02J 7/00; H02J 7/027; H02J 7/0042; H02J 7/0045; H02J 7/0047; H02J 7/0063; H02M 7/00; H02M 7/003; H01M 2/202; H01M 2/204; H01M 2/1022; H01M 2/342; H05K 5/023
See application file for complete search history.

(56) **References Cited**

U.S. PATENT DOCUMENTS

5,111,127 A * 5/1992 Johnson F02B 63/04
320/101
D655,240 S * 3/2012 Hsu D13/102

D664,499 S * 7/2012 Workman D13/107
D711,319 S * 8/2014 Wilcox D13/116
D712,834 S * 9/2014 Munro D13/116
D793,338 S * 8/2017 Zheng D13/102

* cited by examiner

Primary Examiner — Derrick E Holland

(74) *Attorney, Agent, or Firm* — Idea Intellectual Limited; Margaret A. Burke; Sam T. Yip

(57) **CLAIM**

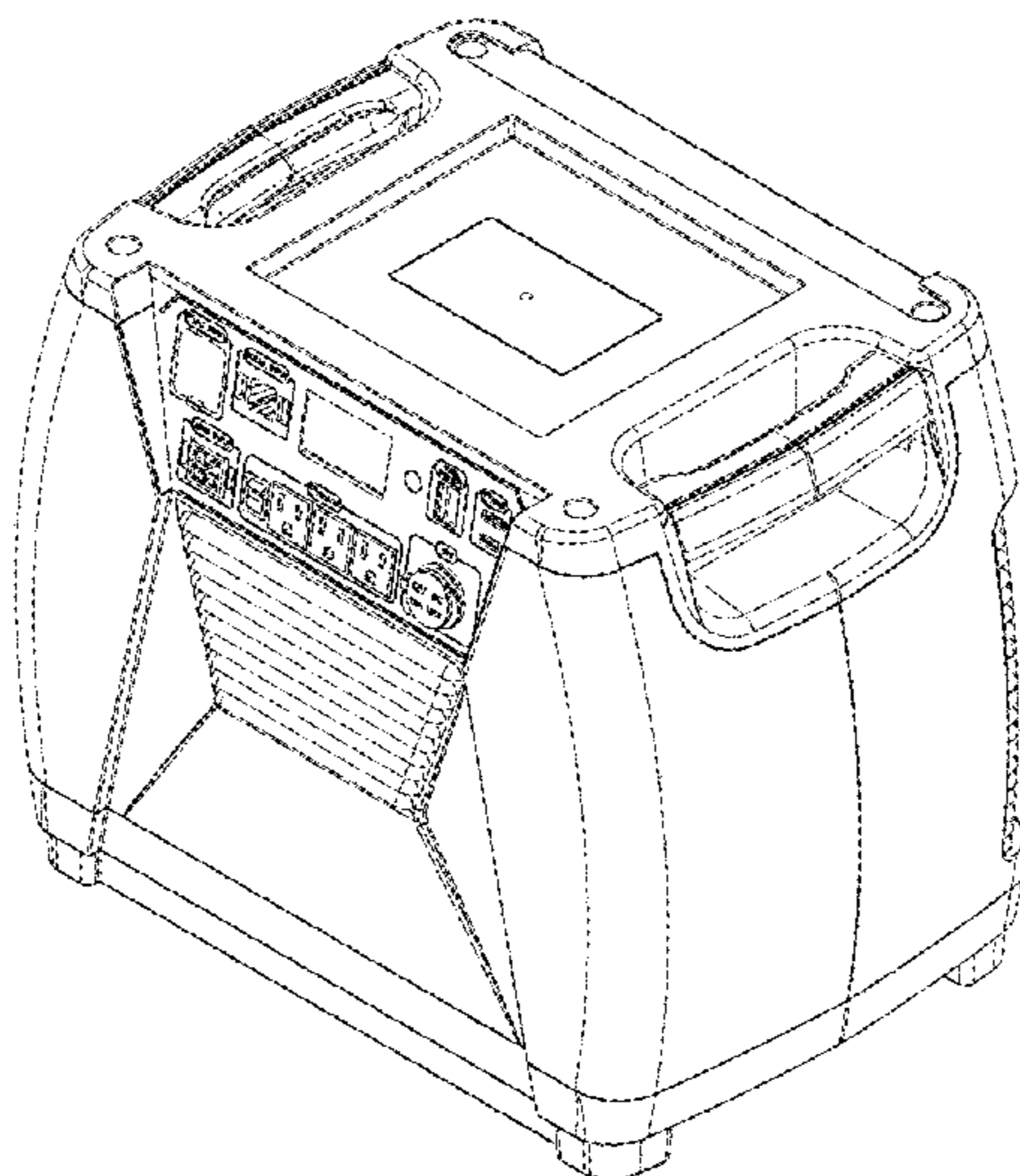
The ornamental design for a power supply, as shown and described.

DESCRIPTION

A portion of the disclosure of this patent document contains material, which is subject to copyright protection. The copyright owner has no objection to the facsimile reproduction by anyone of the patent document or the patent disclosure, as it appears in the Patent and Trademark Office patent file or records, but otherwise reserves all copyright rights whatsoever.

FIG. 1 is a perspective view of a first embodiment of a power supply showing our new design;
FIG. 2 is a front view of the power supply of FIG. 1;
FIG. 3 is a back view of the power supply of FIG. 1;
FIG. 4 is a side view of the power supply of FIG. 1;
FIG. 5 is a second side view of the power supply of FIG. 1;
FIG. 6 is a top view of the power supply of FIG. 1;
FIG. 7 is a bottom view of the power supply of FIG. 1;
FIG. 8 is a perspective view of a second embodiment of a power supply showing our new design;
FIG. 9 is a front view of the power supply of FIG. 8;
FIG. 10 is a back view of the power supply of FIG. 8;
FIG. 11 is a side view of the power supply of FIG. 8;
FIG. 12 is a second side view of the power supply of FIG. 8;
FIG. 13 is a top view of the power supply of FIG. 8; and, FIG. 14 is a bottom view of the power supply of FIG. 8.

1 Claim, 14 Drawing Sheets



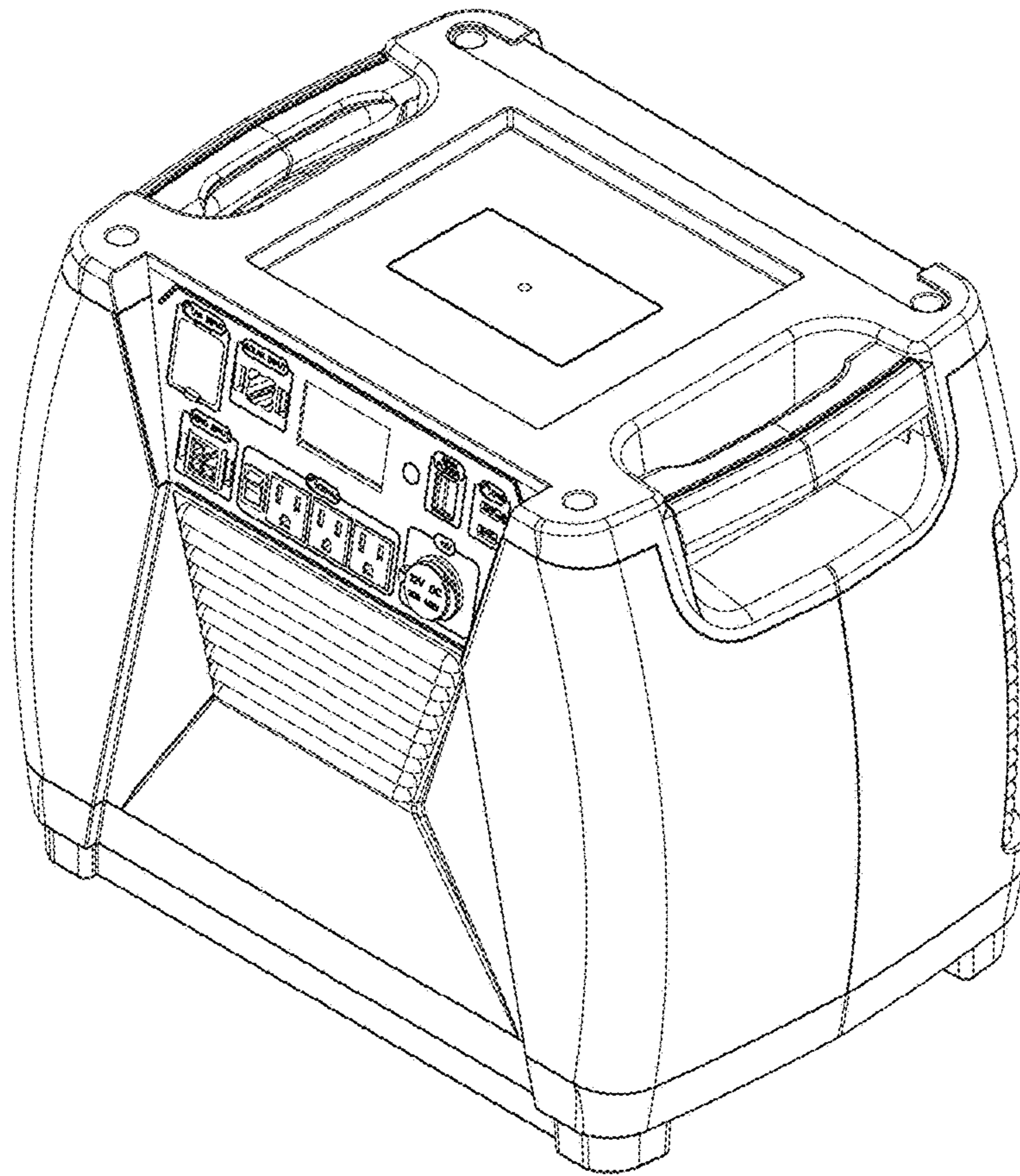


FIG. 1

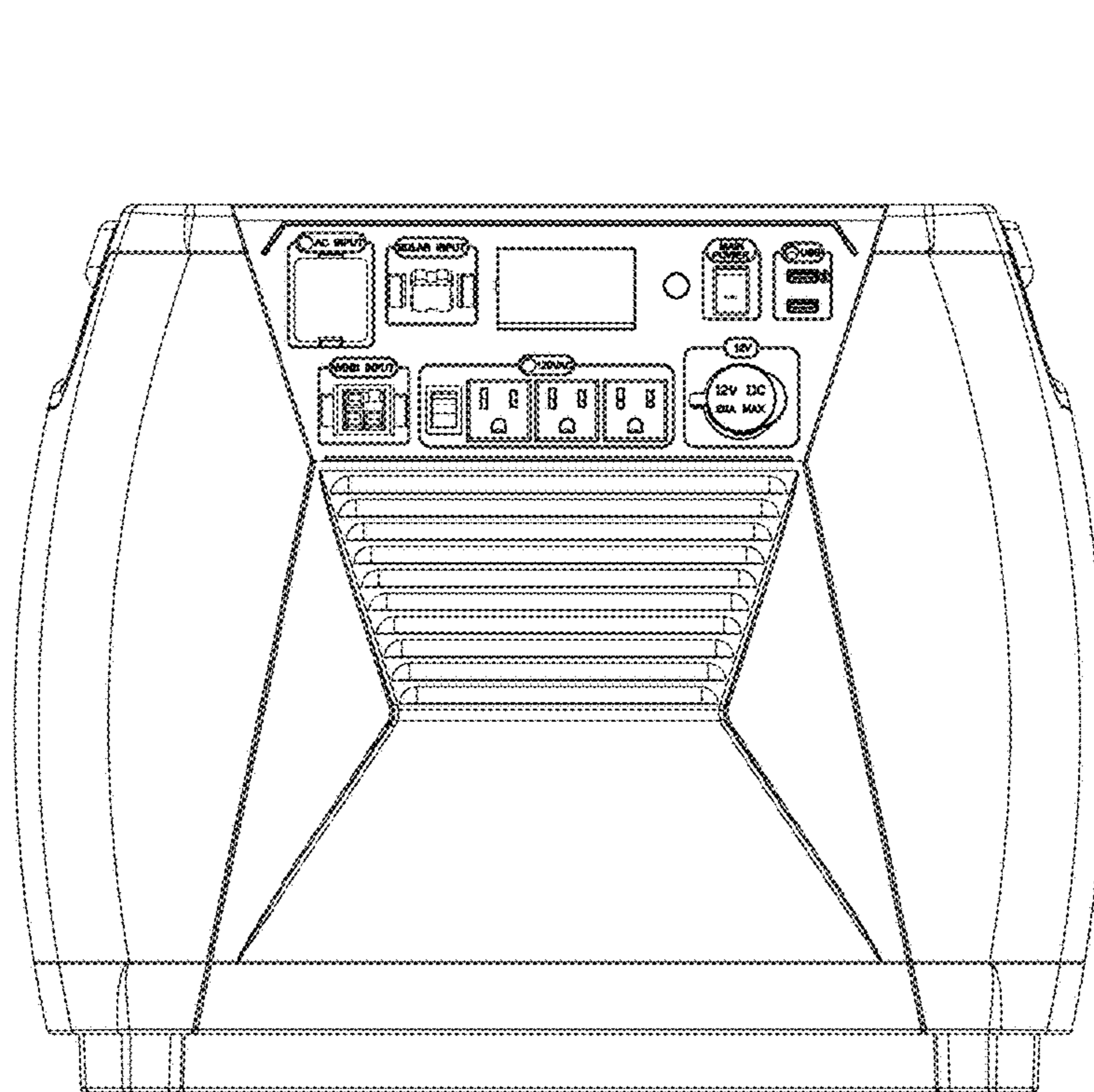


FIG. 2

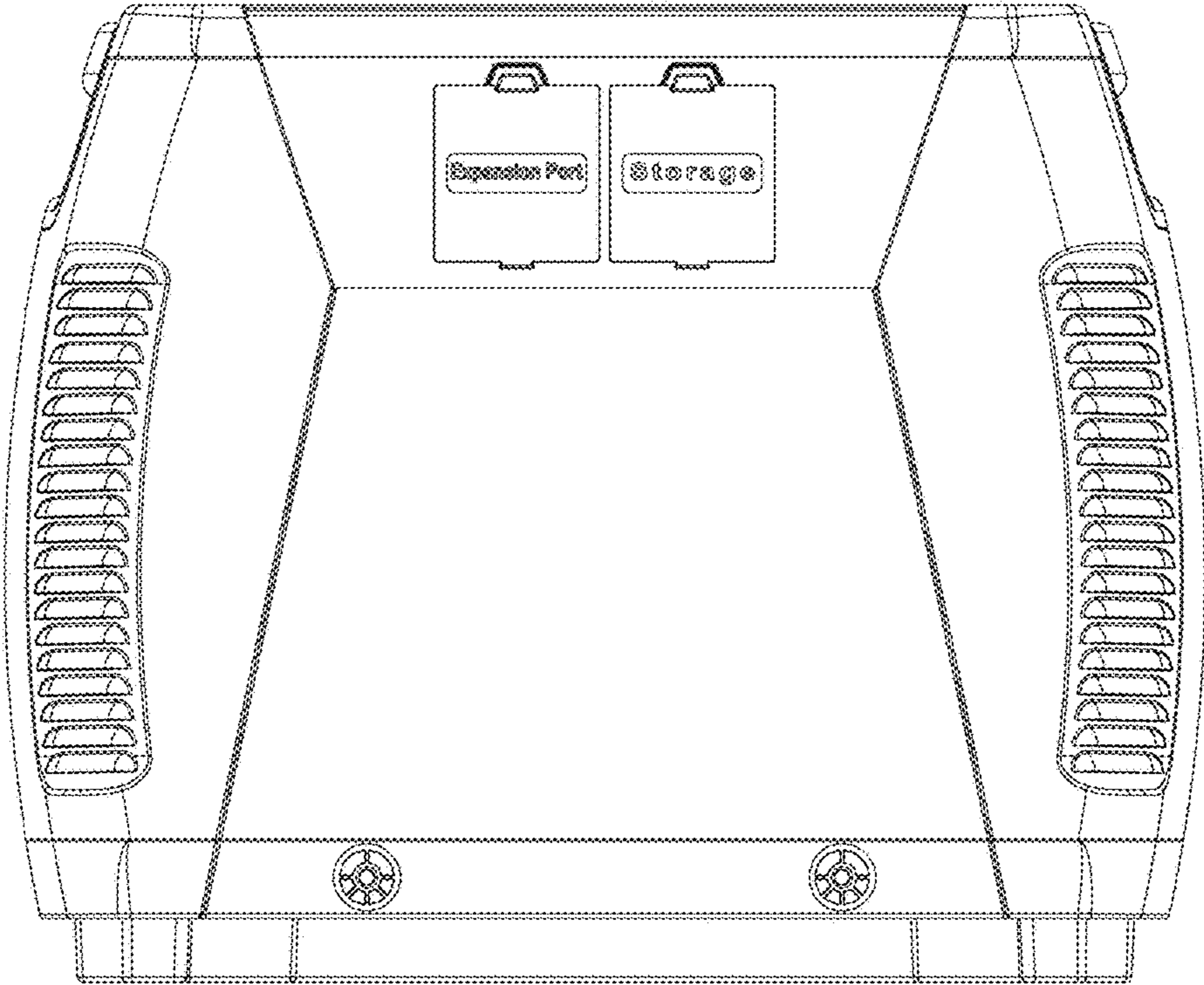


FIG. 3

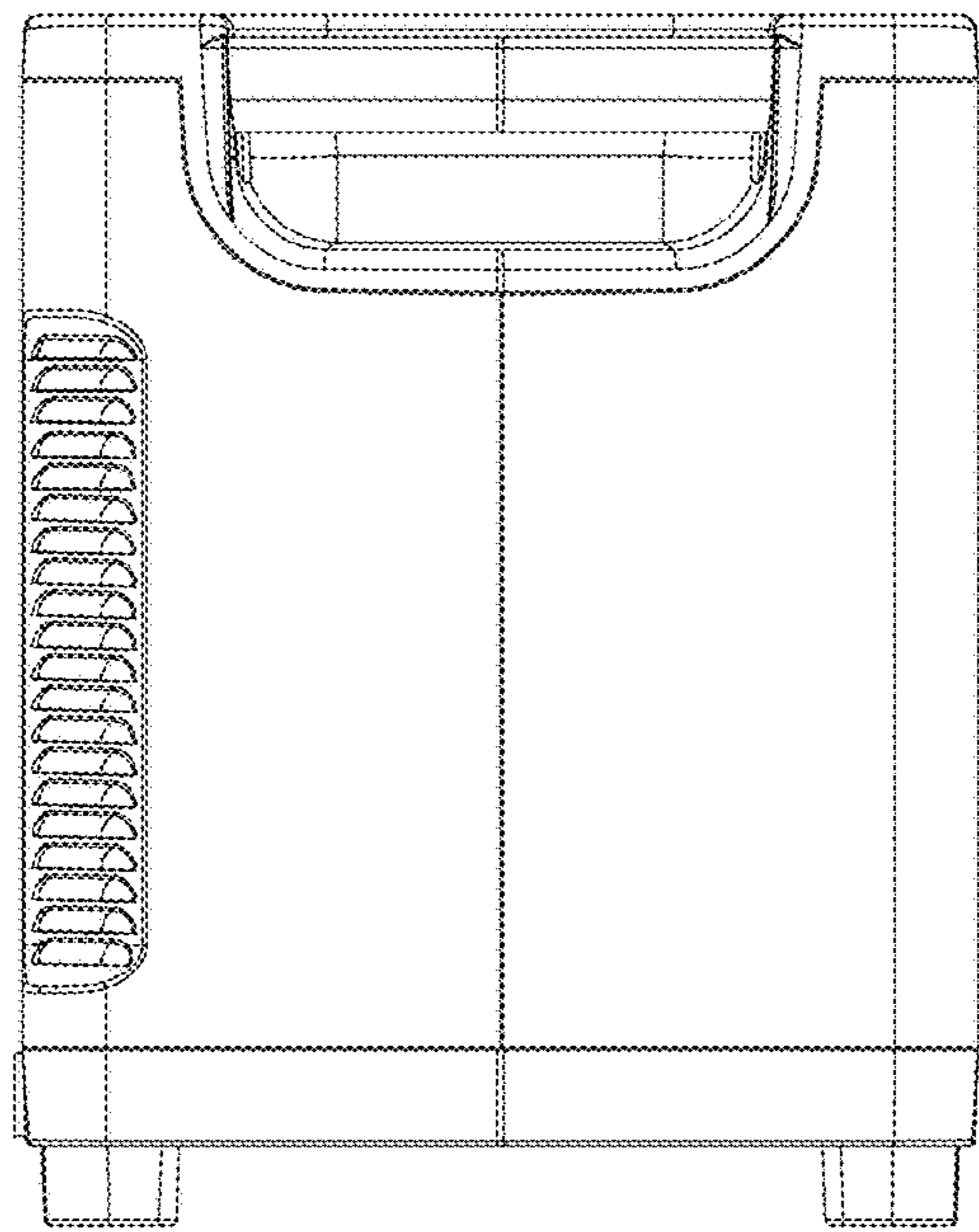


FIG. 4

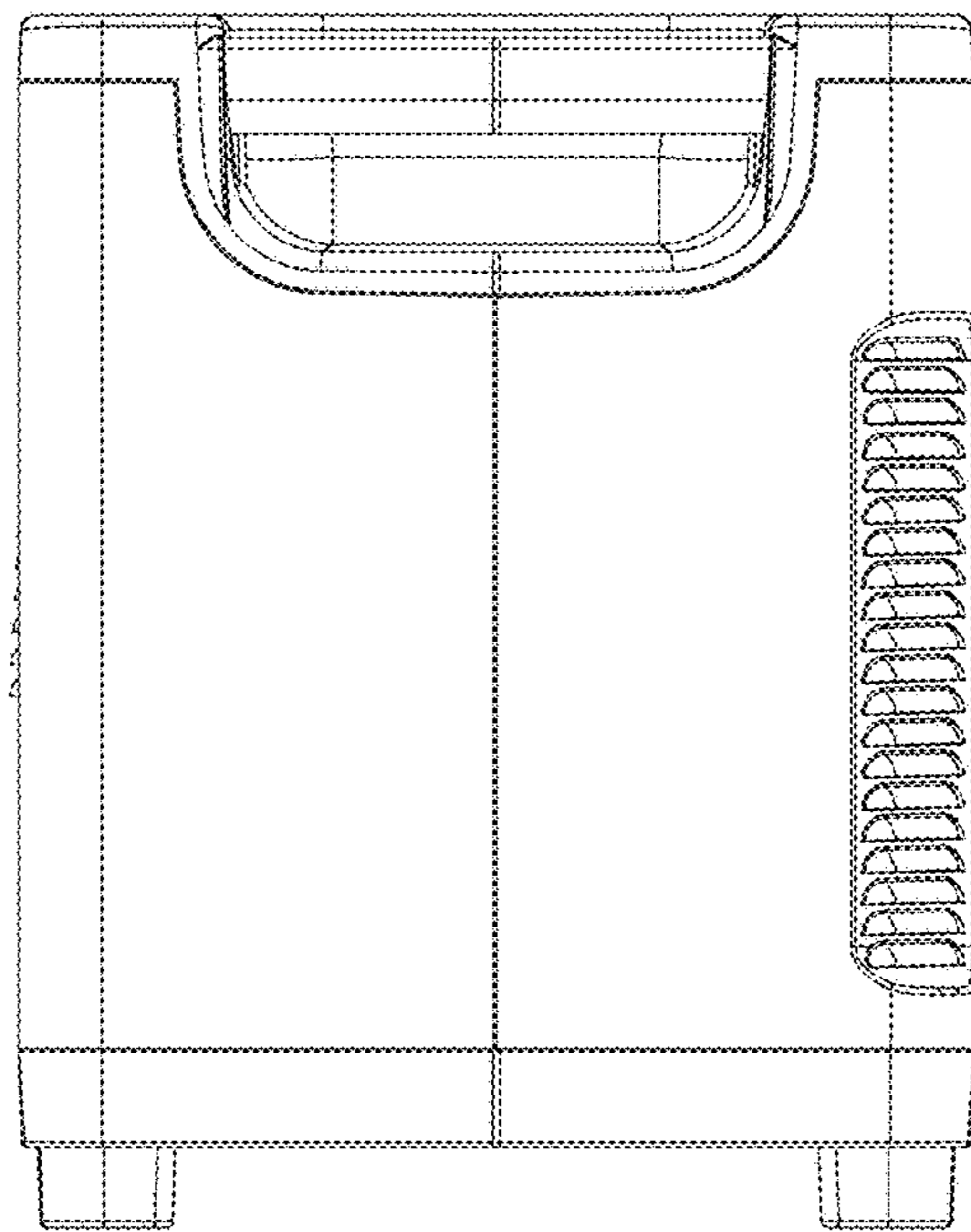


FIG. 5

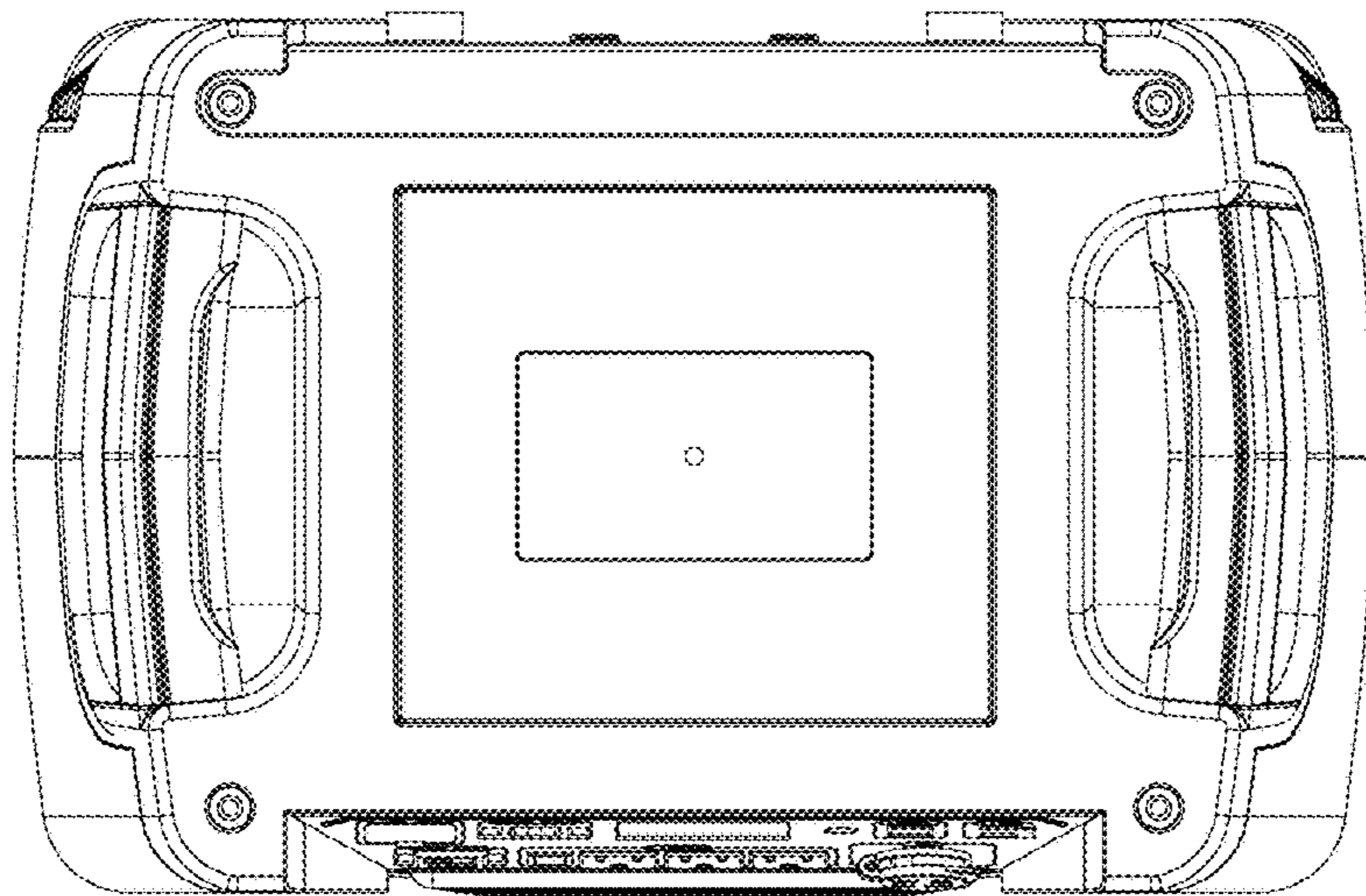


FIG. 6

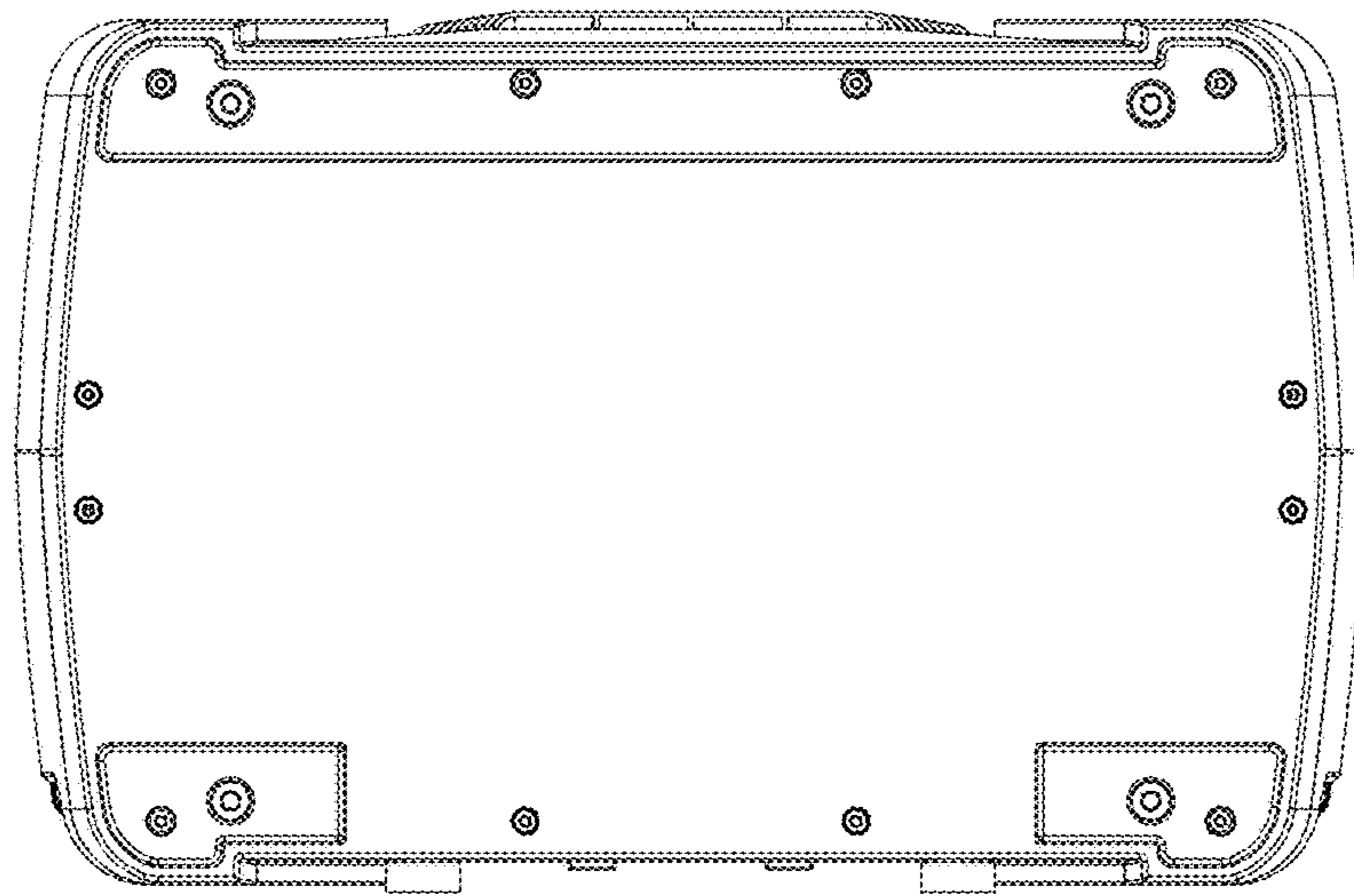


FIG. 7



FIG. 8

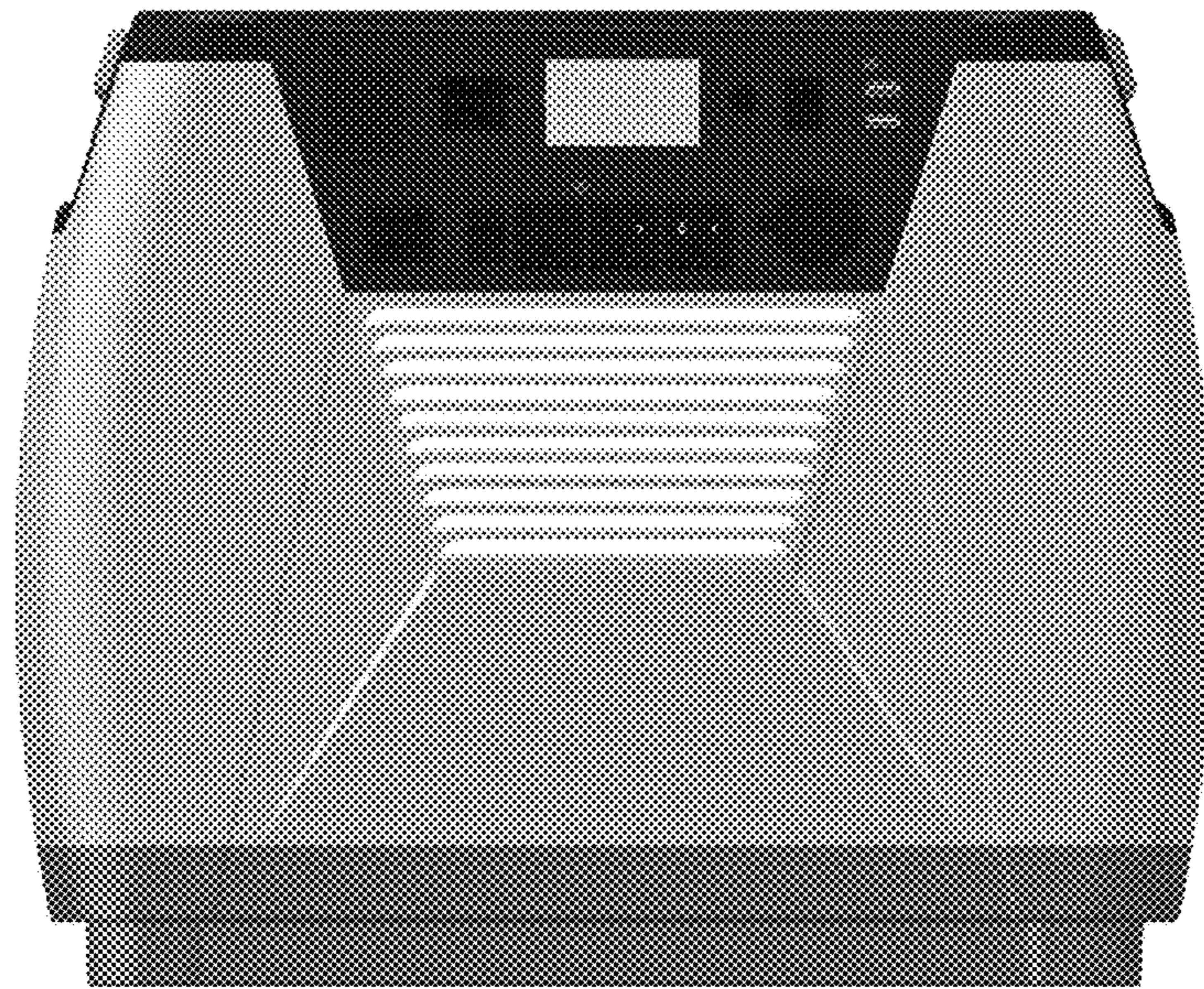


FIG. 9

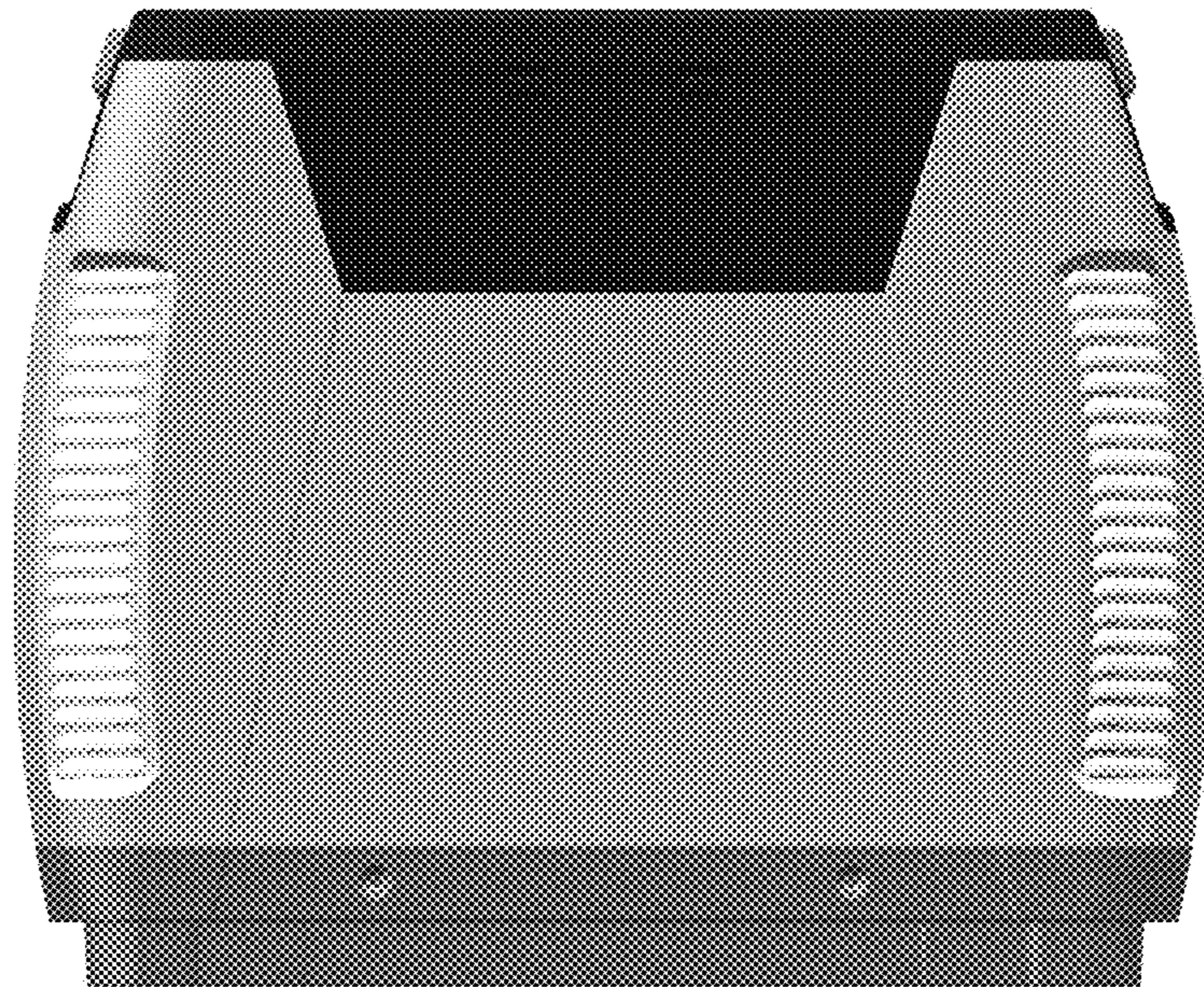


FIG. 10

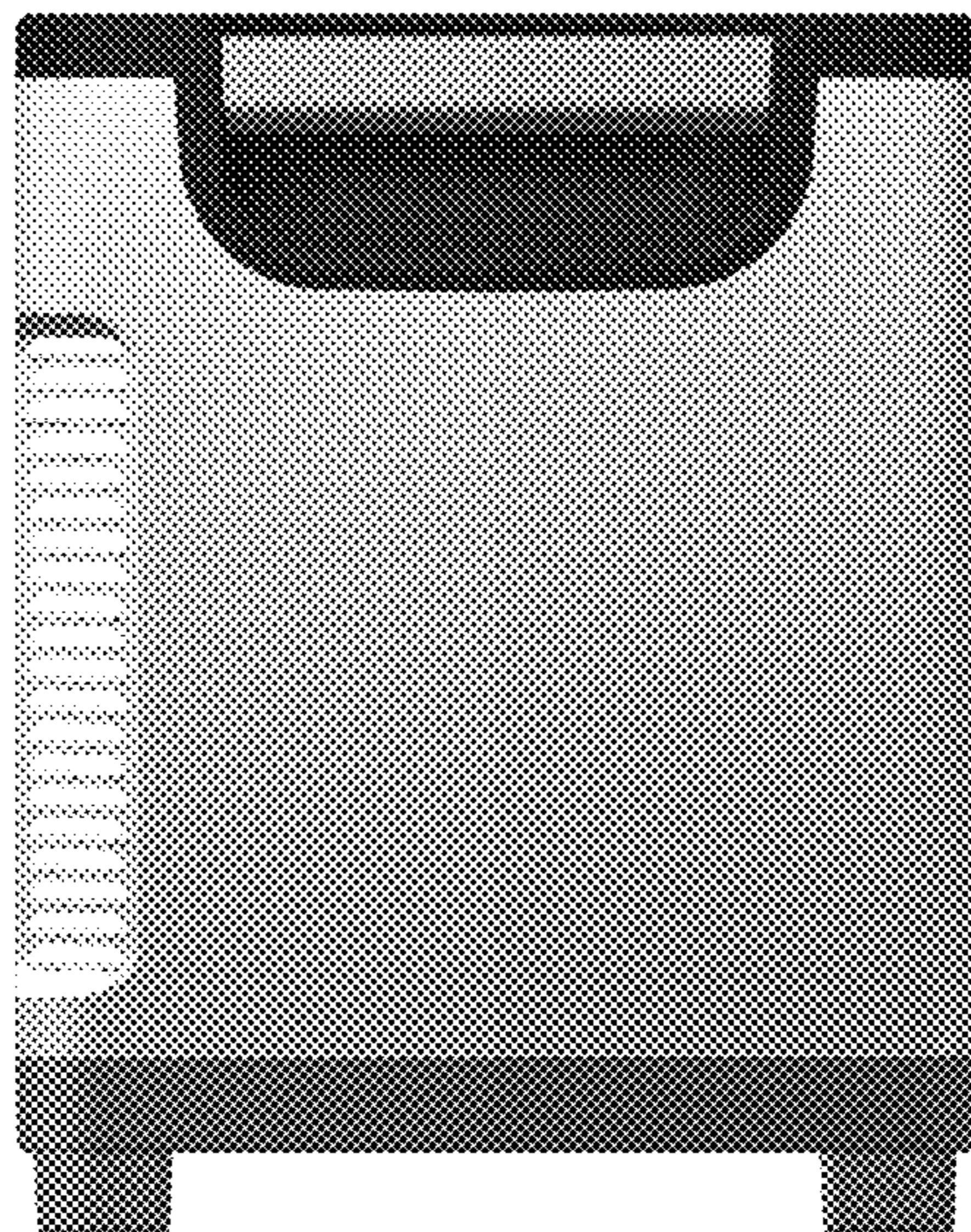


FIG. 11

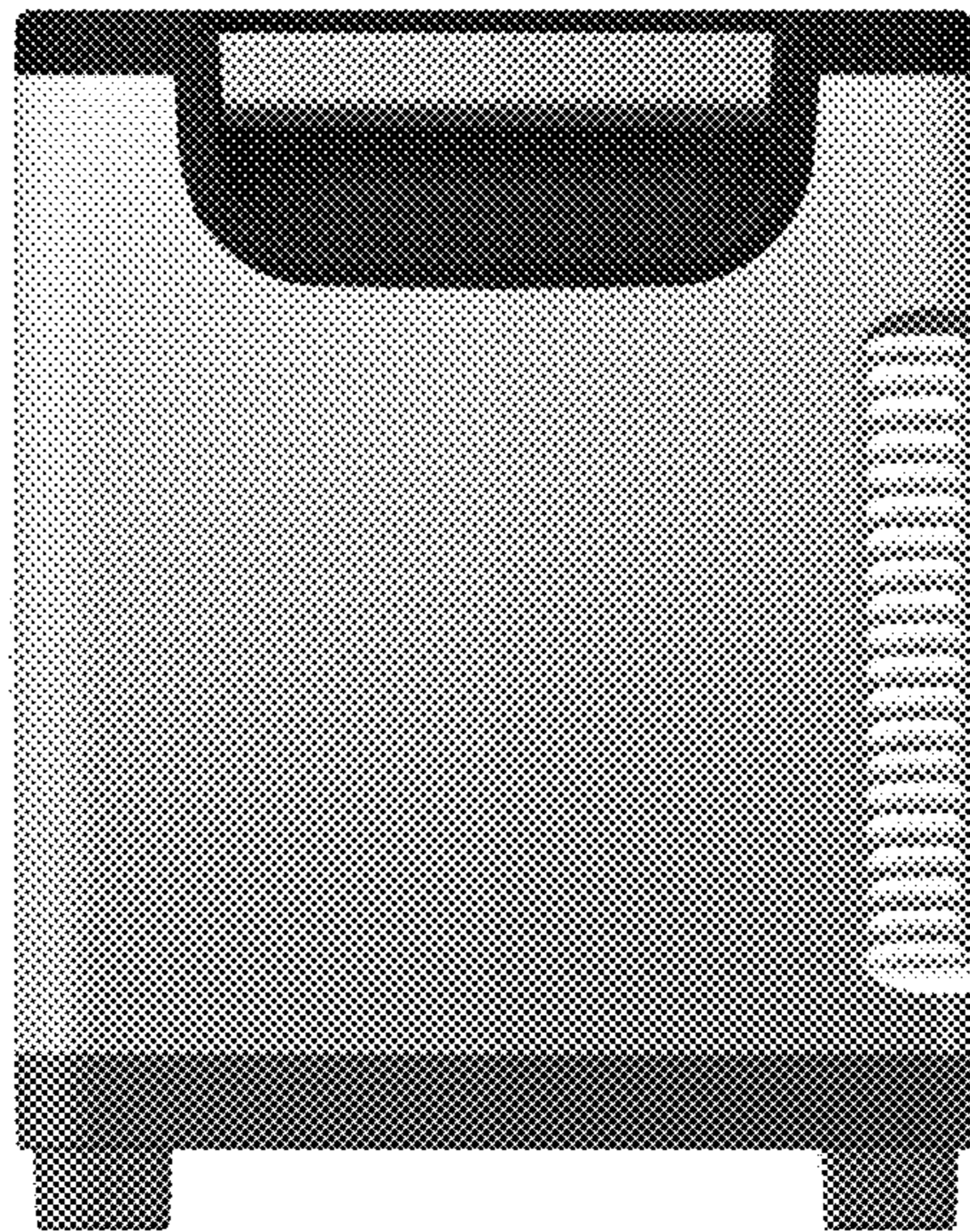


FIG. 12

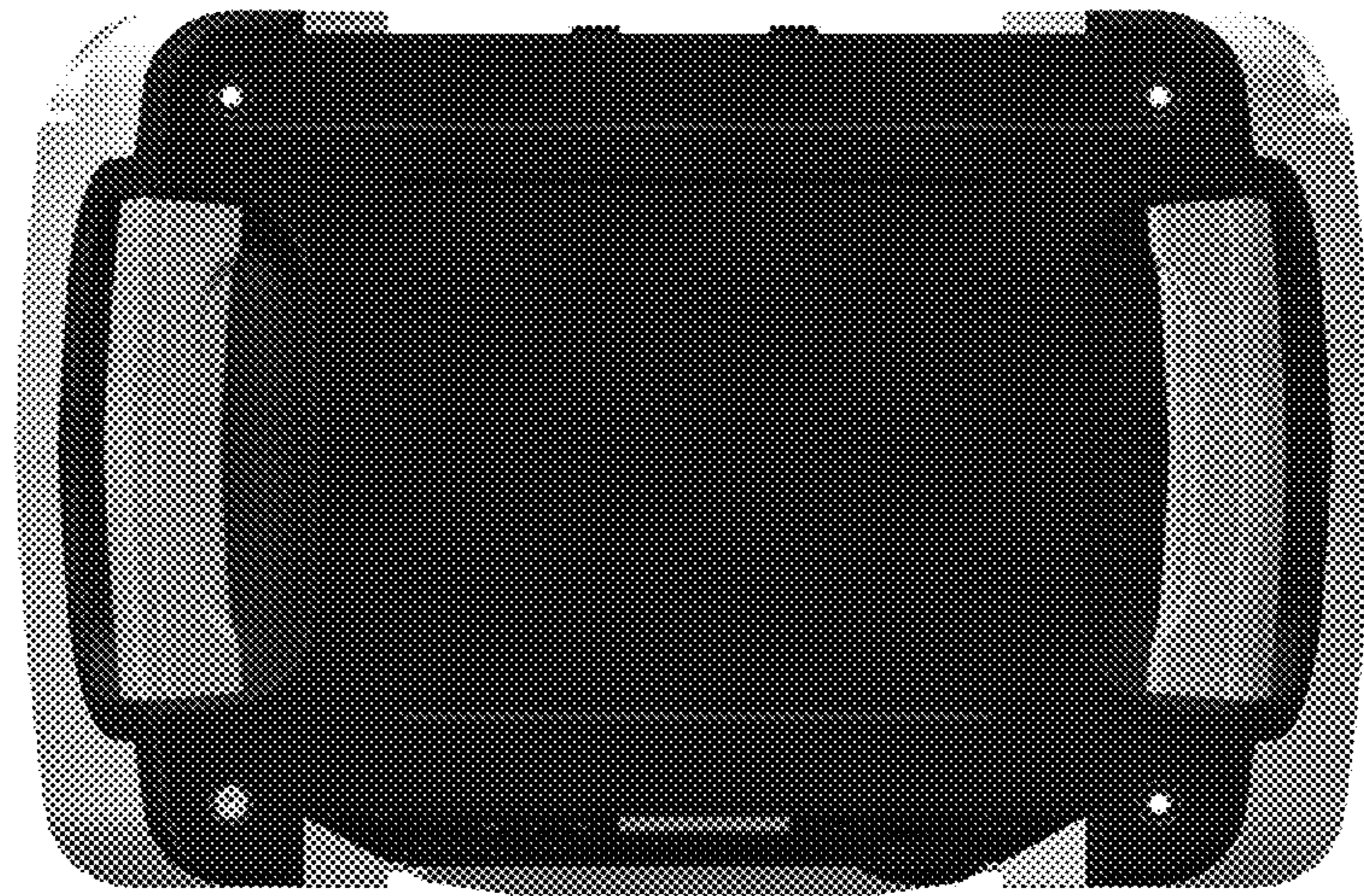


FIG. 13

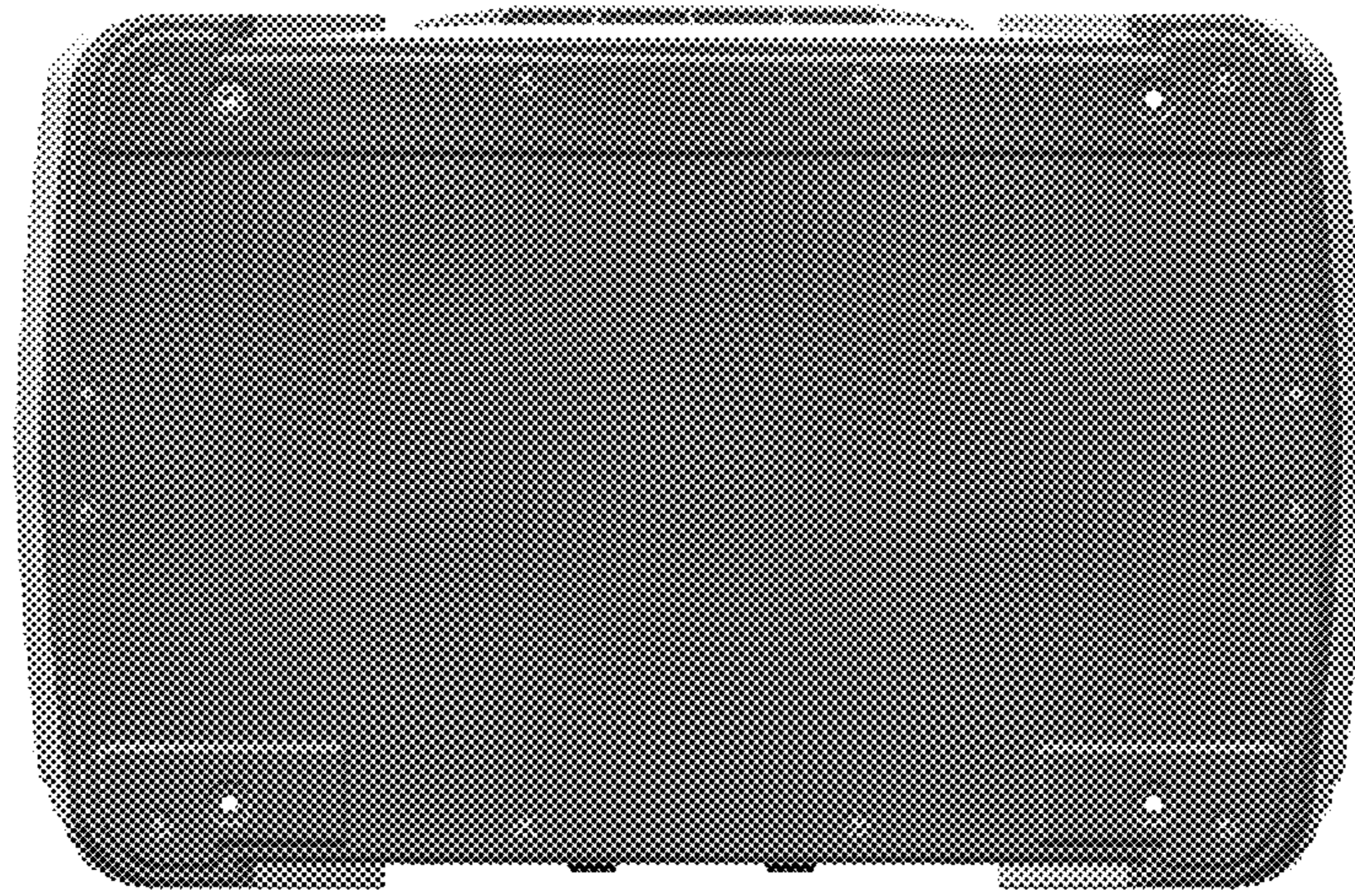


FIG. 14