

US00D864865S

(12) **United States Design Patent**
Mouchet

(10) **Patent No.:** **US D864,865 S**

(45) **Date of Patent:** **** Oct. 29, 2019**

(54) **CURRENT TRANSDUCER**

(71) Applicant: **LEM INTELLECTUAL PROPERTY SA, Fribourg (CH)**

(72) Inventor: **Steve Mouchet, Pringy (FR)**

(**) Term: **15 Years**

(21) Appl. No.: **35/505,095**

(22) Filed: **Dec. 7, 2017**

(80) **Hague Agreement Data**

Int. Filing Date: **Dec. 7, 2017**

Int. Reg. No.: **DM/099051**

Int. Reg. Date: **Dec. 7, 2017**

Int. Reg. Pub. Date: **Jun. 8, 2018**

(51) **LOC (12) Cl.** **13-02**

(52) **U.S. Cl.**
USPC **D13/110**

(58) **Field of Classification Search**

USPC D13/110, 101, 117, 123, 124, 159, 184,
D13/199; D10/75

CPC .. G01R 15/207; G01R 15/183; G01R 15/185;
G01R 19/0092; G01R 1/04; G01R
31/364; H01F 38/30; H01F 41/0213;
H01R 12/58; H01R 13/6683; H01R
13/745; H01R 2201/20; H01R 2201/22

See application file for complete search history.

(56) **References Cited**

U.S. PATENT DOCUMENTS

D348,042 S * 6/1994 Cook D13/101
D401,171 S * 11/1998 Cattaneo D10/78

D420,297 S * 2/2000 Cattaneo D10/78
D510,881 S * 10/2005 Morel D10/78
D600,576 S * 9/2009 Marcoz D10/75
D685,734 S * 7/2013 Sage D13/110
D686,989 S * 7/2013 Hayashi D13/110
D688,626 S * 8/2013 Ye D13/110
8,618,796 B2 * 12/2013 Teppan G01R 15/18
324/117 H
D742,262 S * 11/2015 Koshimizu D10/75
D768,518 S * 10/2016 Shamir D10/75
D801,201 S * 10/2017 Inada D10/75
D835,038 S * 12/2018 Delmaere D13/110

* cited by examiner

Primary Examiner — Barbara Fox

Assistant Examiner — Nathaniel D. Buckner

(57) **CLAIM**

The ornamental design for a current transducer, as shown and described.

DESCRIPTION

1. Current transducer

1.1 : Perspective

1.2 : Perspective

1.3 : Front

1.4 : Back

1.5 : Top

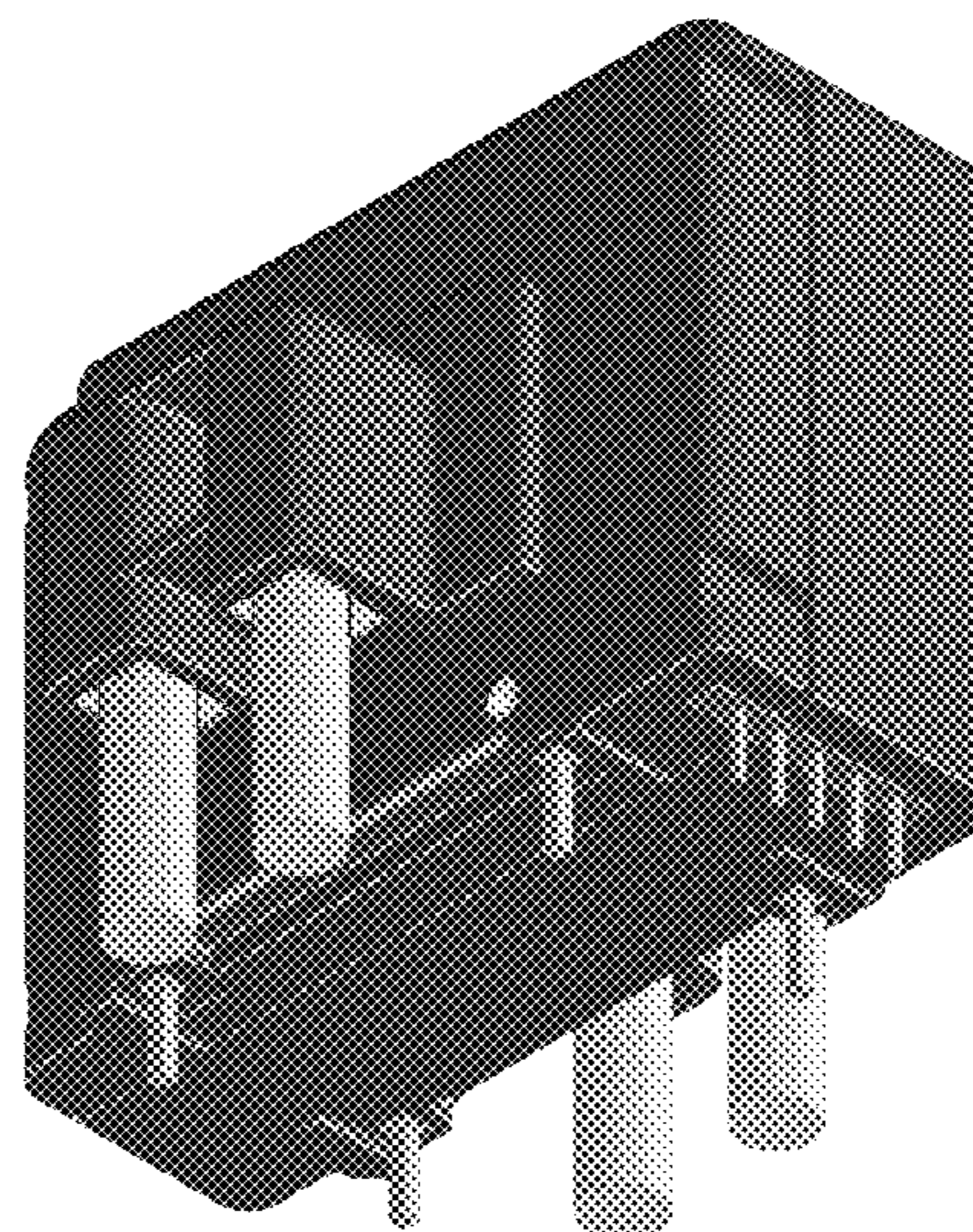
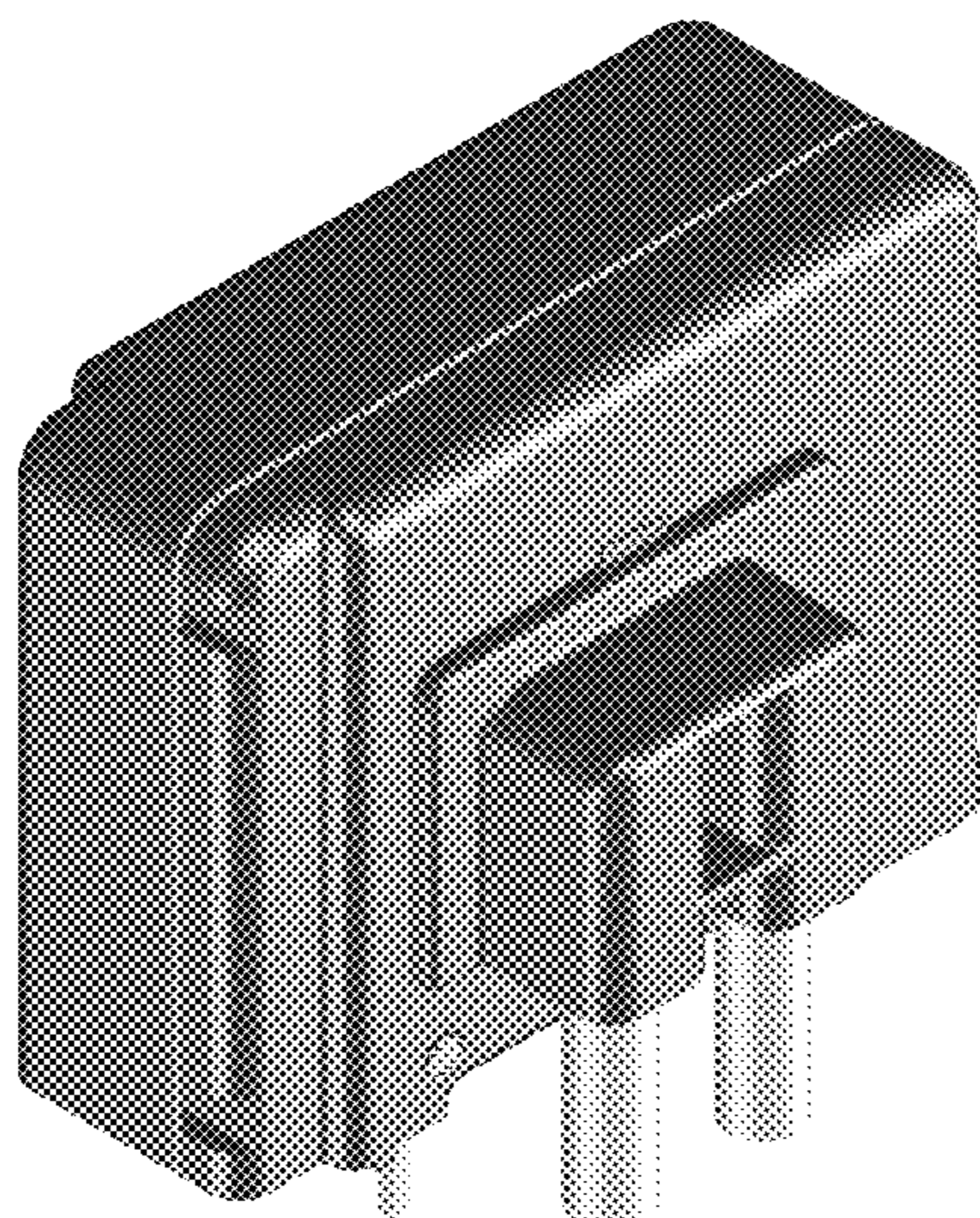
1.6 : Bottom

1.7 : Left

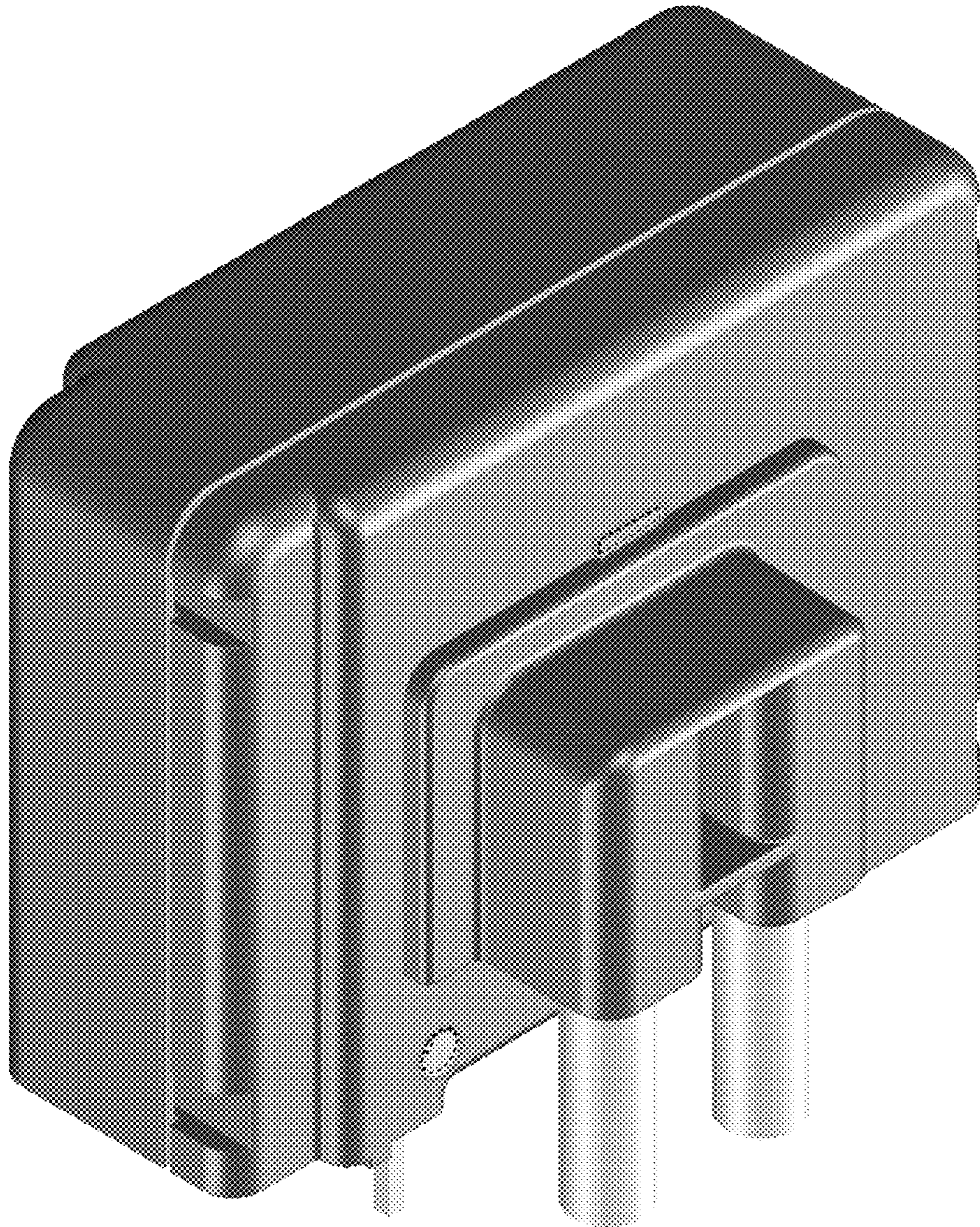
1.8 : Right

In the drawings, the opaqued portions of the current transducer surrounded by broken lines form no part of the claimed design.

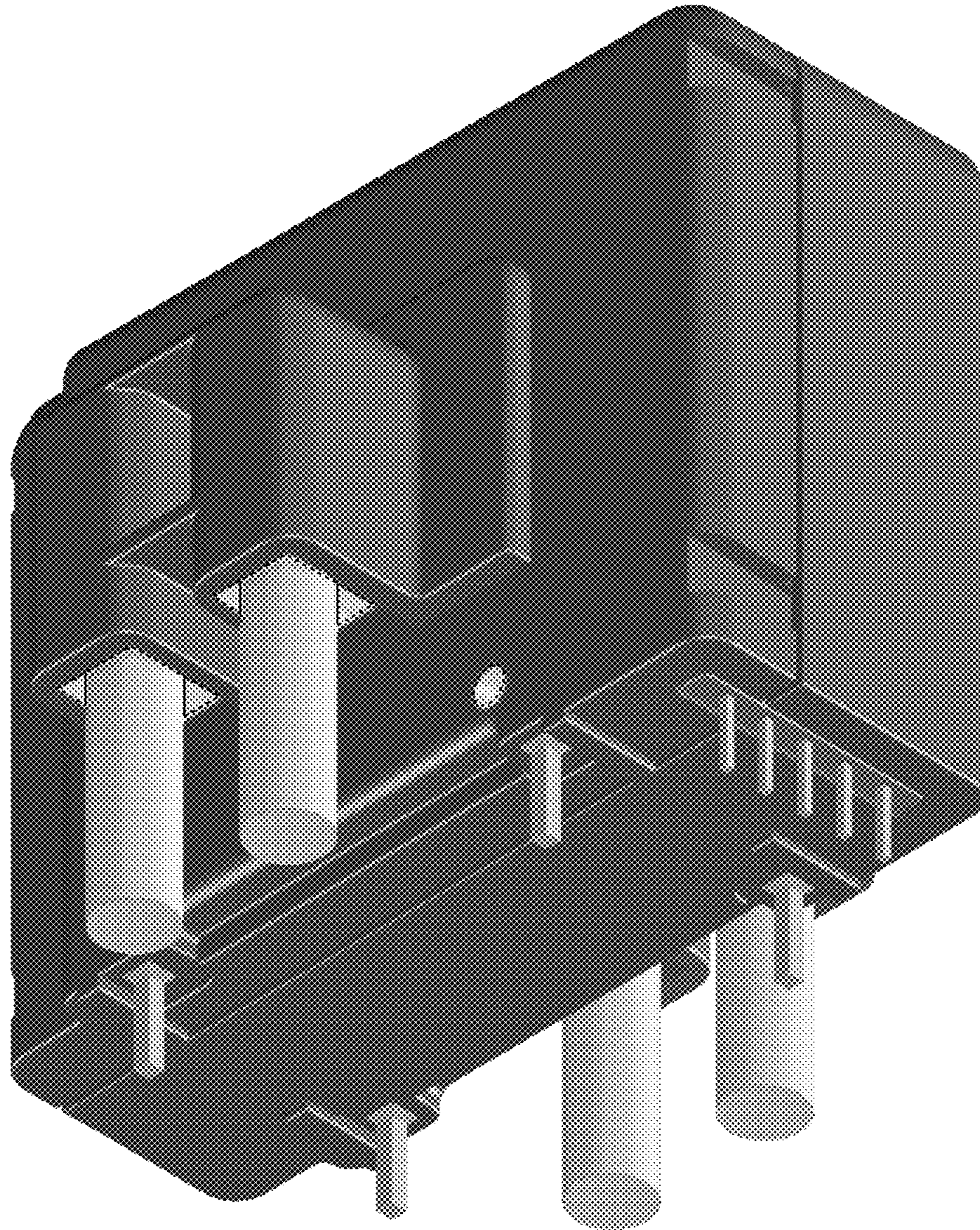
1 Claim, 8 Drawing Sheets

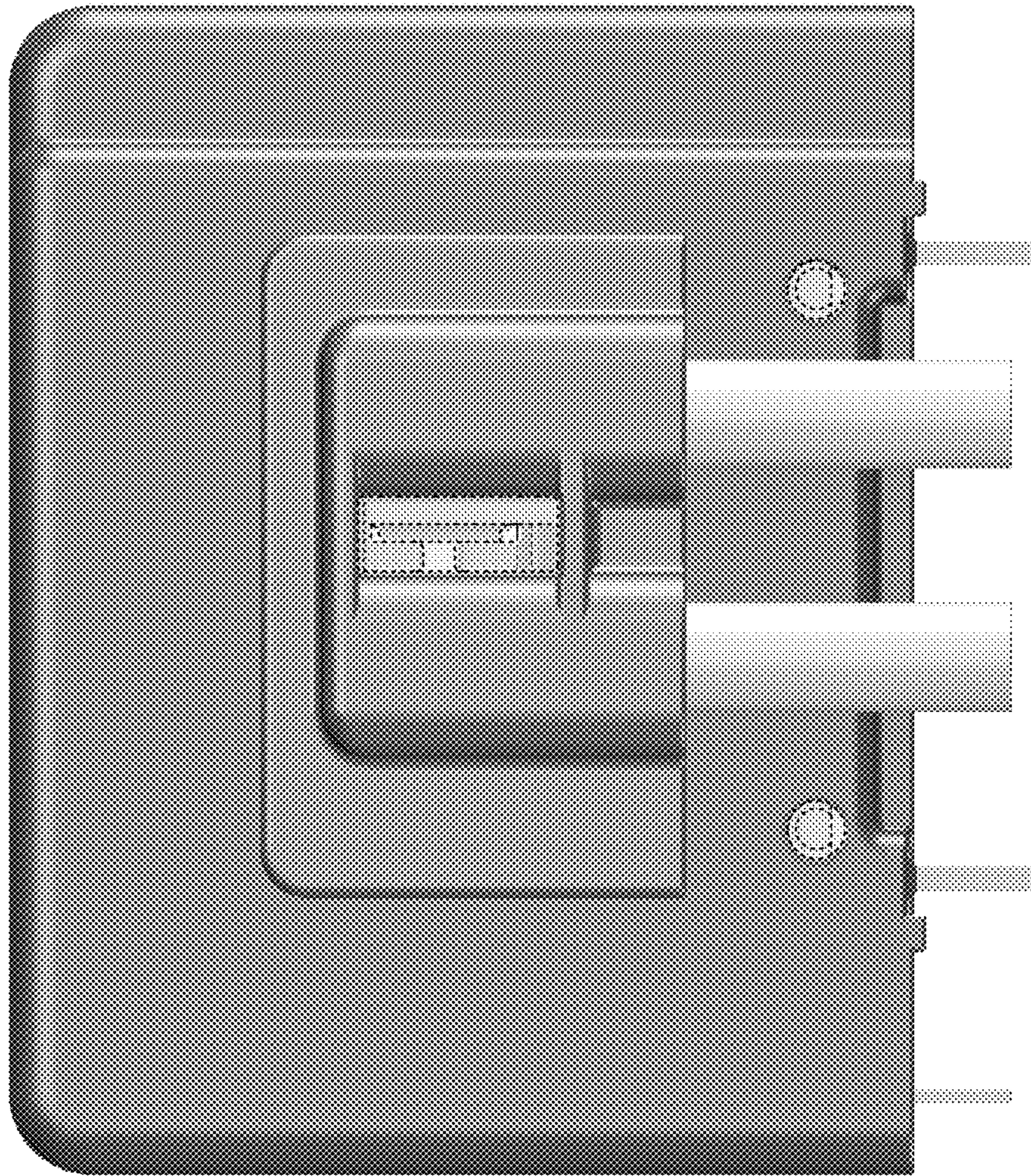


1.1

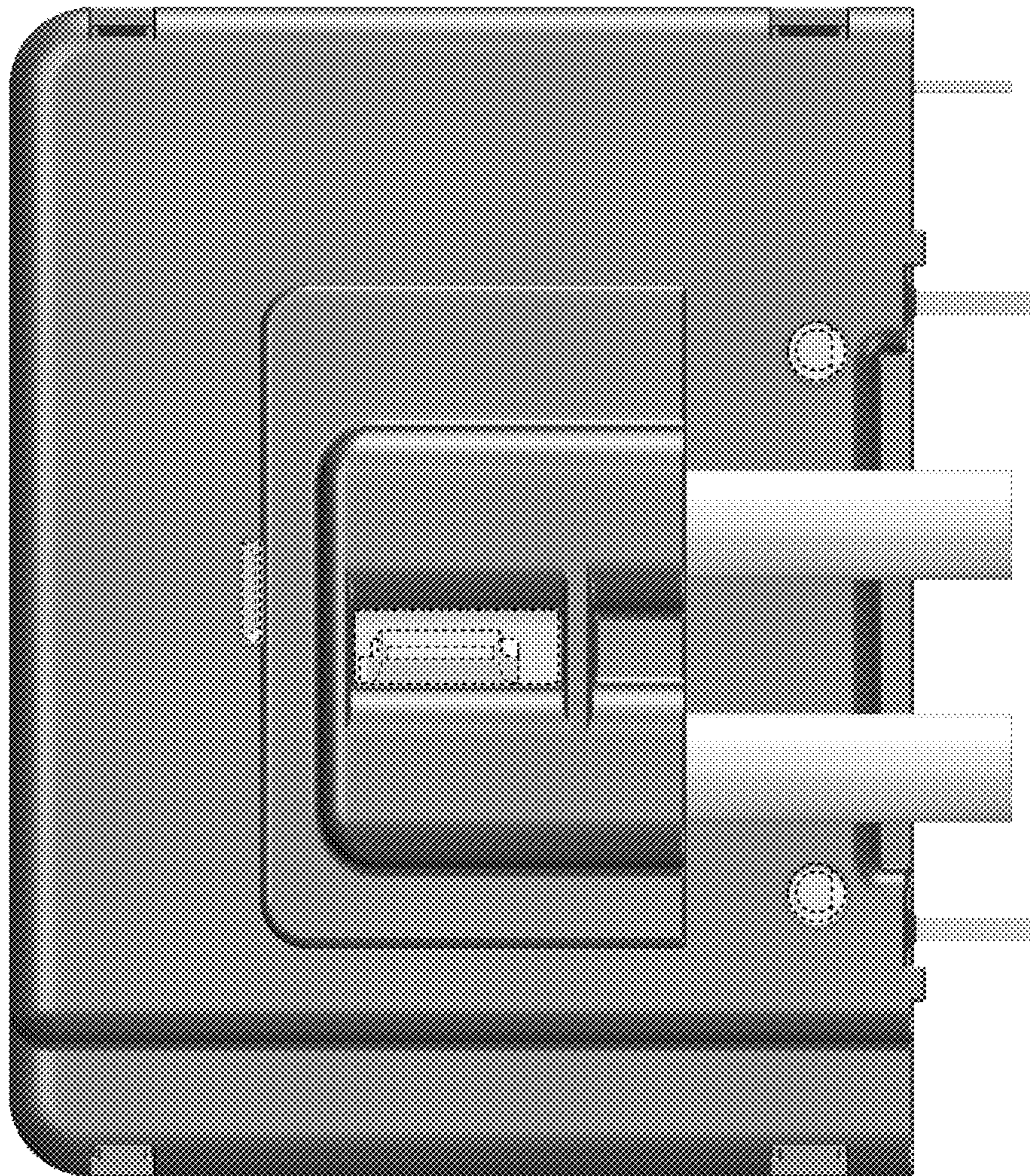


1.2



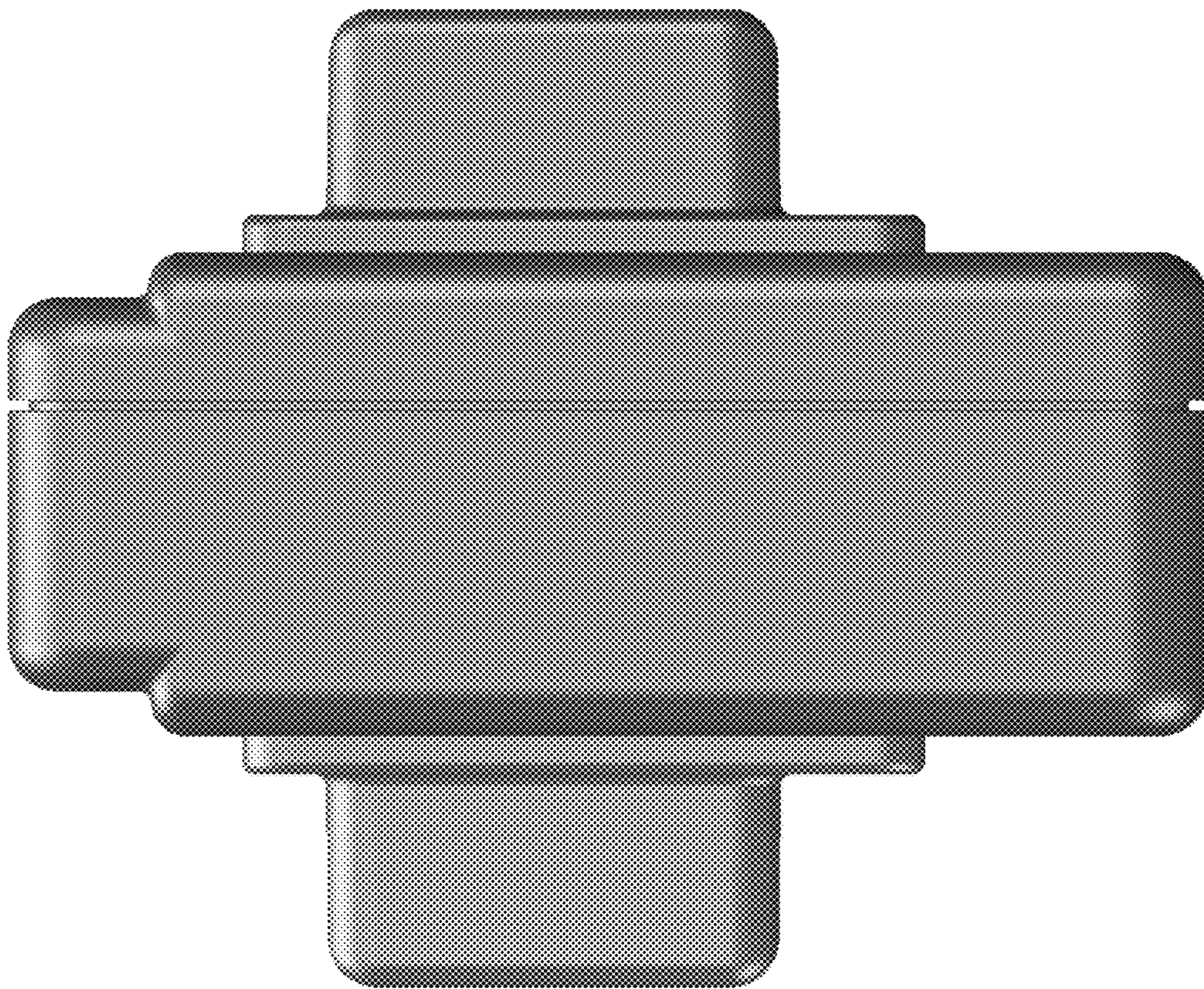


1.3

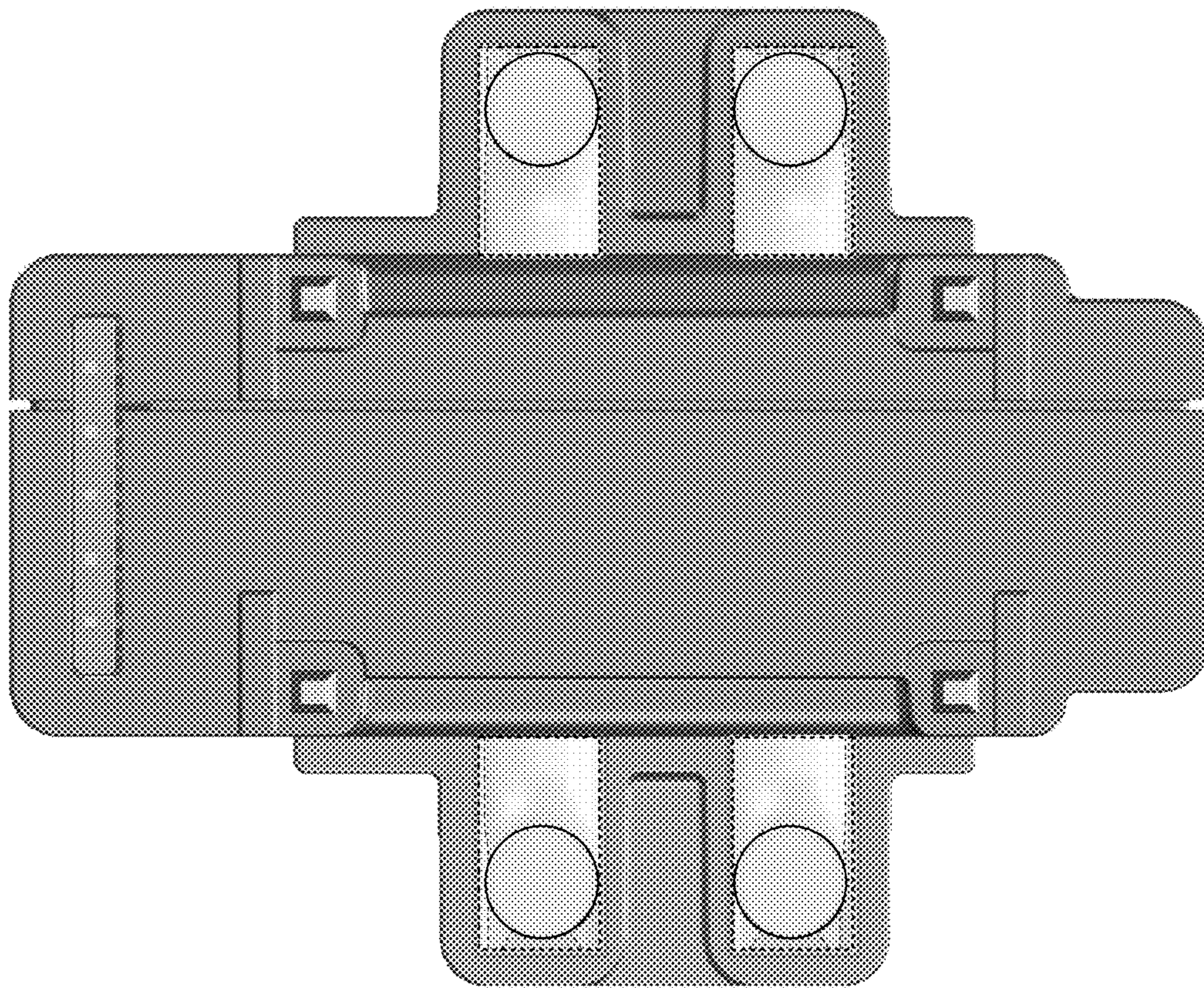


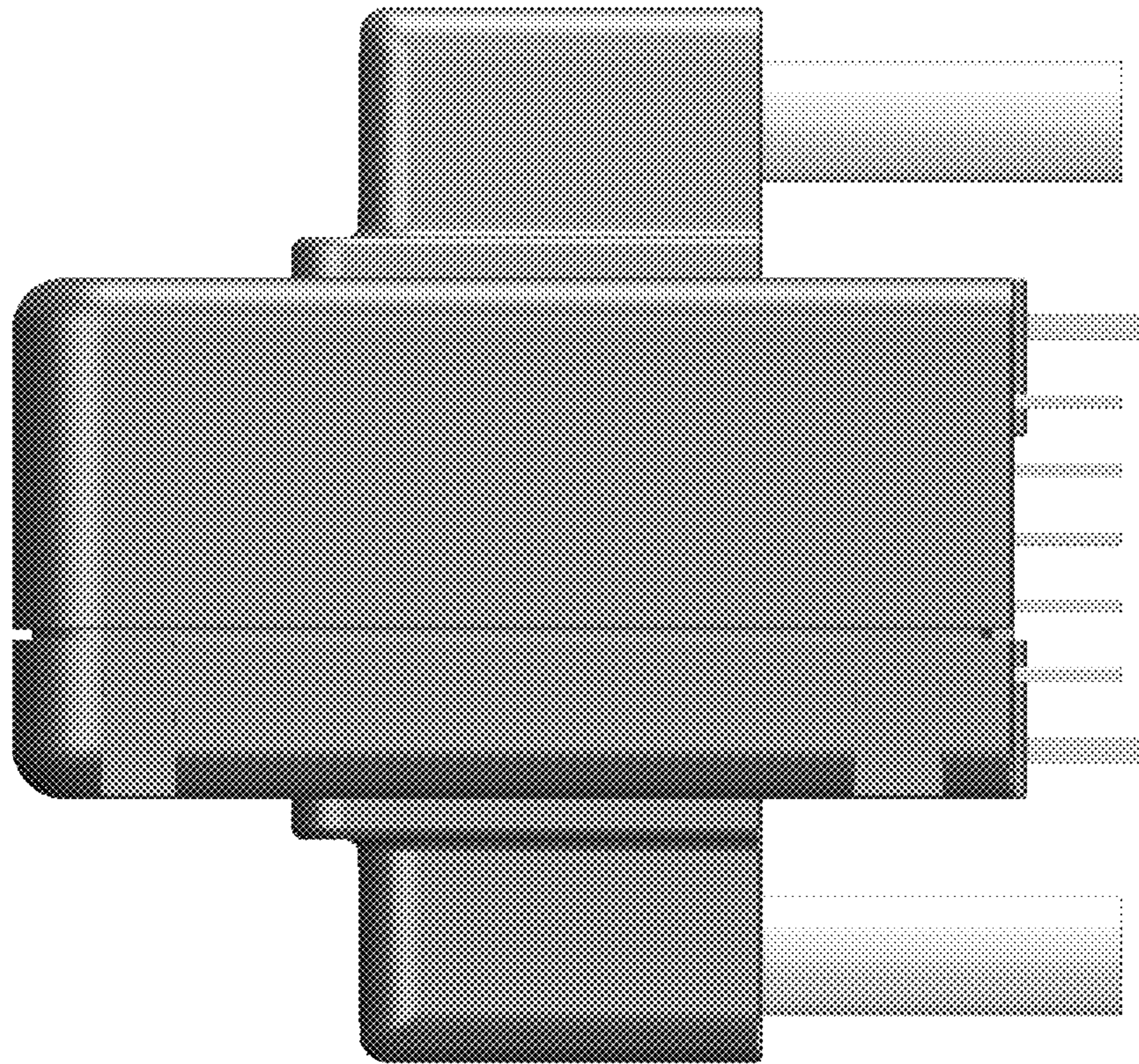
1.4

1.5

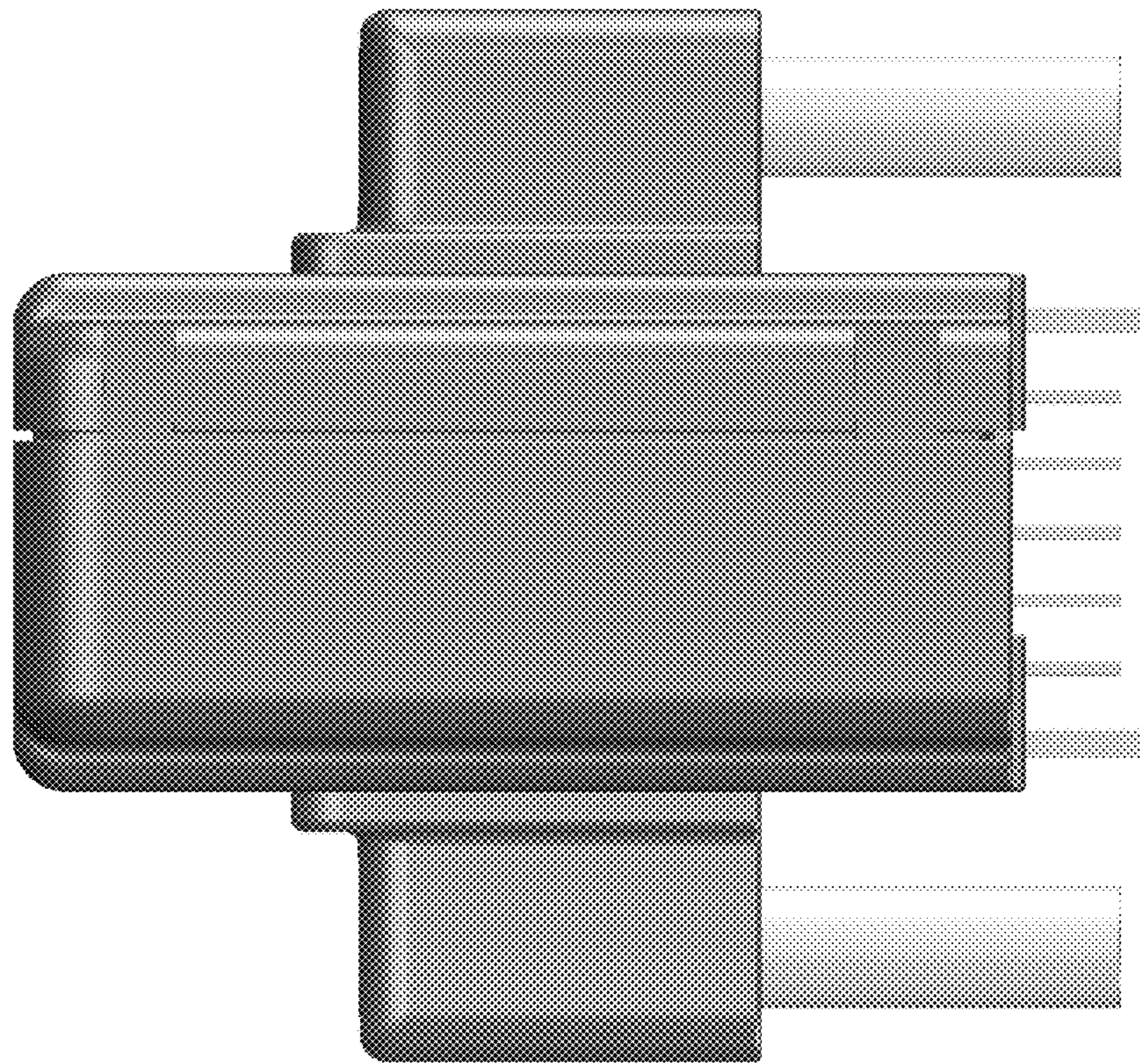


1.6





1.7



1.8