



US00D864864S

(12) **United States Design Patent** (10) **Patent No.:** **US D864,864 S**
Xu (45) **Date of Patent:** **** Oct. 29, 2019**

(54) **INVERTER**

(71) Applicant: **Guangdong BESTEK E-commerce Co., Ltd.**, Shenzhen (CN)

(72) Inventor: **Xinhua Xu**, Shenzhen (CN)

(73) Assignee: **Guangdong BESTEK E-commerce Co., Ltd.**, Shenzhen (CN)

(**) Term: **15 Years**

(21) Appl. No.: **29/642,513**

(22) Filed: **Mar. 29, 2018**

(30) **Foreign Application Priority Data**

Jan. 30, 2018 (CN) 2018 3 0044508

(51) **LOC (12) Cl.** **13-10**

(52) **U.S. Cl.**
USPC **D13/110**

(58) **Field of Classification Search**
USPC D13/103, 104, 107, 110, 119, 120, 133,
D13/156

CPC H01R 13/641; H01M 2/1022;
H01M 2/1027; H01M 2/1072; H01M
2/105; H01M 2/1077; H02B 1/20
See application file for complete search history.

(56) **References Cited**

U.S. PATENT DOCUMENTS

D657,739 S * 4/2012 Miyawaki D13/104
D705,719 S * 5/2014 Wong D13/103
D711,821 S * 8/2014 Wang D13/103
D759,587 S * 6/2016 Santos D13/103
D762,565 S * 8/2016 Akana D13/103
D775,073 S * 12/2016 Oshiba D13/119
D812,000 S * 3/2018 Li D13/108

D820,198 S * 6/2018 Smith D13/103
D842,237 S * 3/2019 Qiu D13/103
D844,560 S * 4/2019 Miller D13/108
D852,742 S * 7/2019 Li D13/110
2008/0050645 A1* 2/2008 Kai H01M 2/1077
429/61
2009/0123821 A1* 5/2009 Kim H01M 2/0404
429/124
2011/0070465 A1* 3/2011 Kim H01M 10/42
429/7
2015/0207181 A1* 7/2015 Fink H01M 2/043
429/7
2017/0264059 A1* 9/2017 Cote H01R 25/006
2019/0131678 A1* 5/2019 Kim H01M 2/10
2019/0189982 A1* 6/2019 Lee H01M 2/1061
2019/0198952 A1* 6/2019 Choi H01M 10/6554

* cited by examiner

Primary Examiner — Susan Bennett Hattan

Assistant Examiner — Suzanne E Tisdell

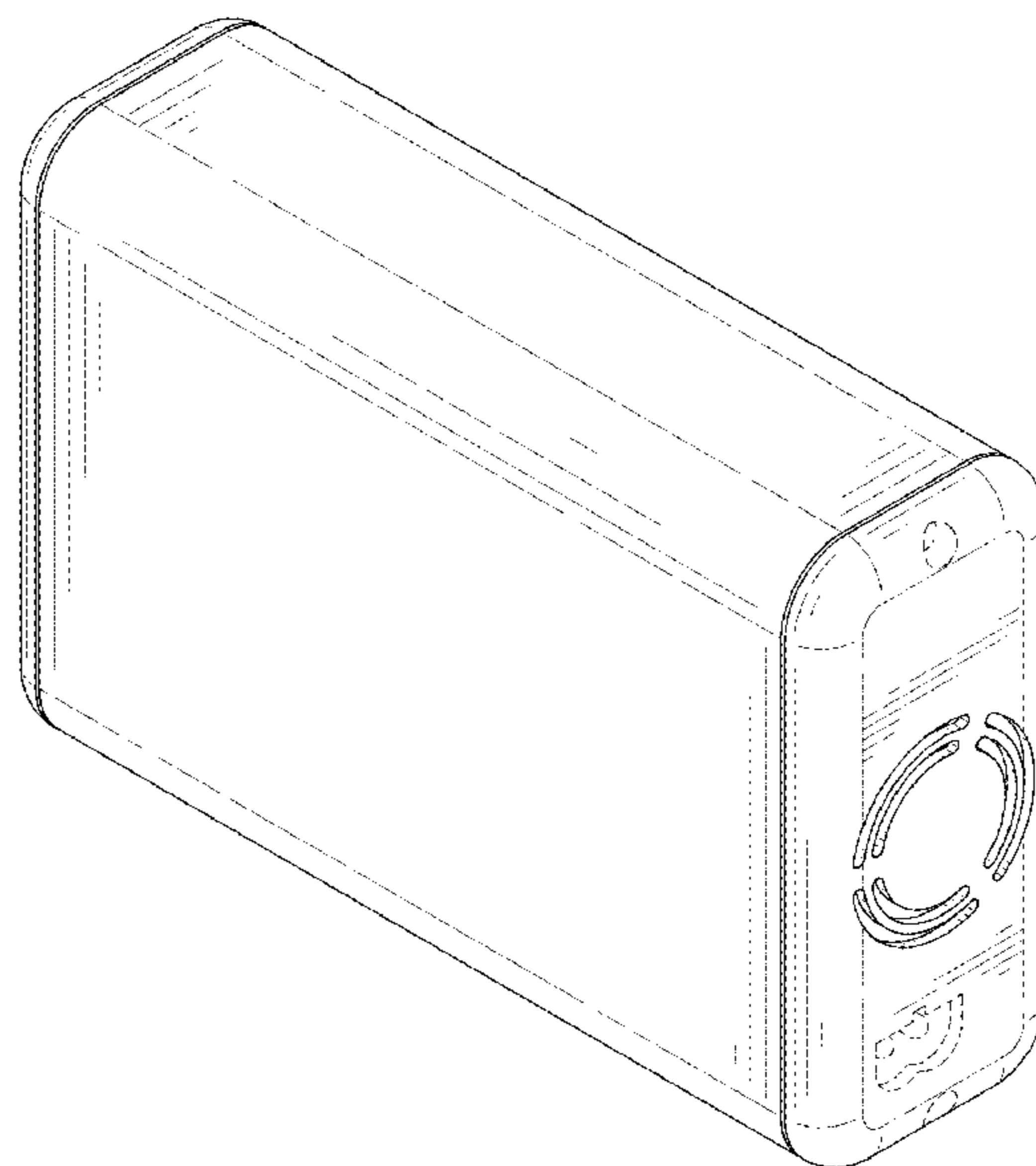
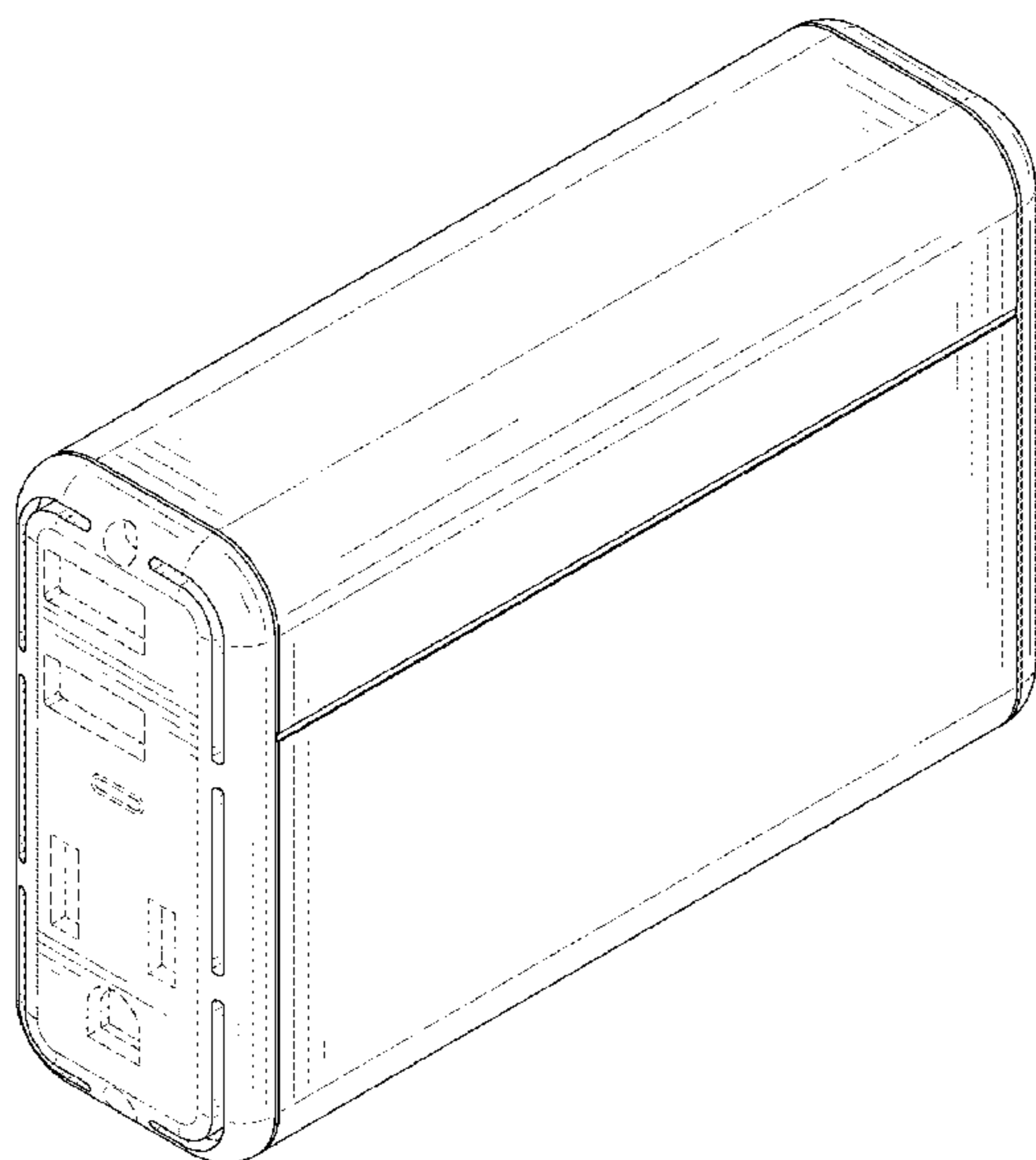
(57) **CLAIM**

The ornamental design for an inverter, as shown and described.

DESCRIPTION

FIG. 1 is a front perspective view of an inverter showing my new design;
FIG. 2 is a rear perspective view thereof;
FIG. 3 is a front elevational view thereof;
FIG. 4 is a rear elevational view thereof;
FIG. 5 is a left side elevational view thereof;
FIG. 6 is a right side elevational view thereof;
FIG. 7 is a top plan view thereof; and,
FIG. 8 is a bottom plan view thereof.
The broken lines in the drawings are for the purpose of illustrating portions of the inverter that form no part of the claimed design.

1 Claim, 8 Drawing Sheets



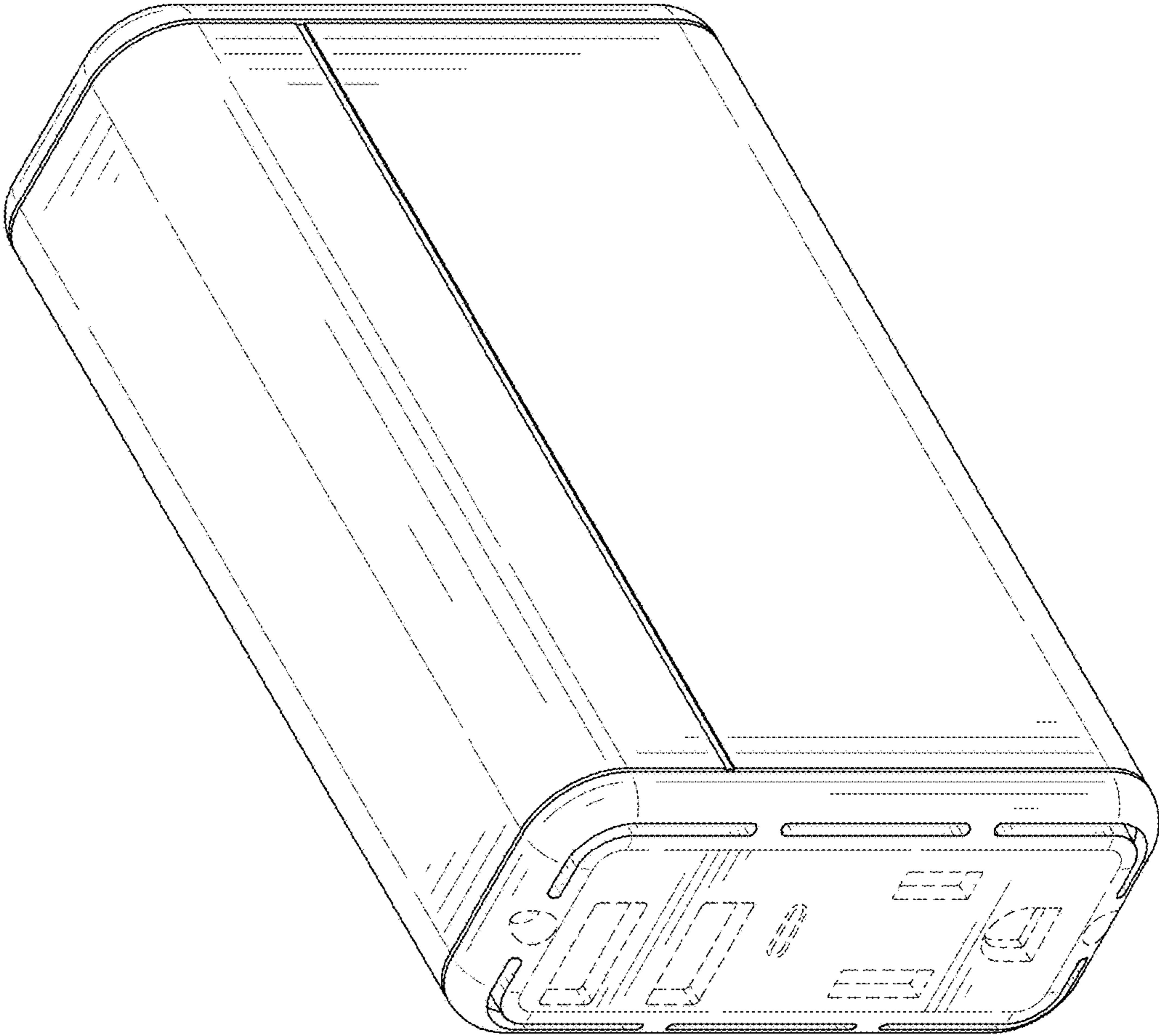


FIG. 1

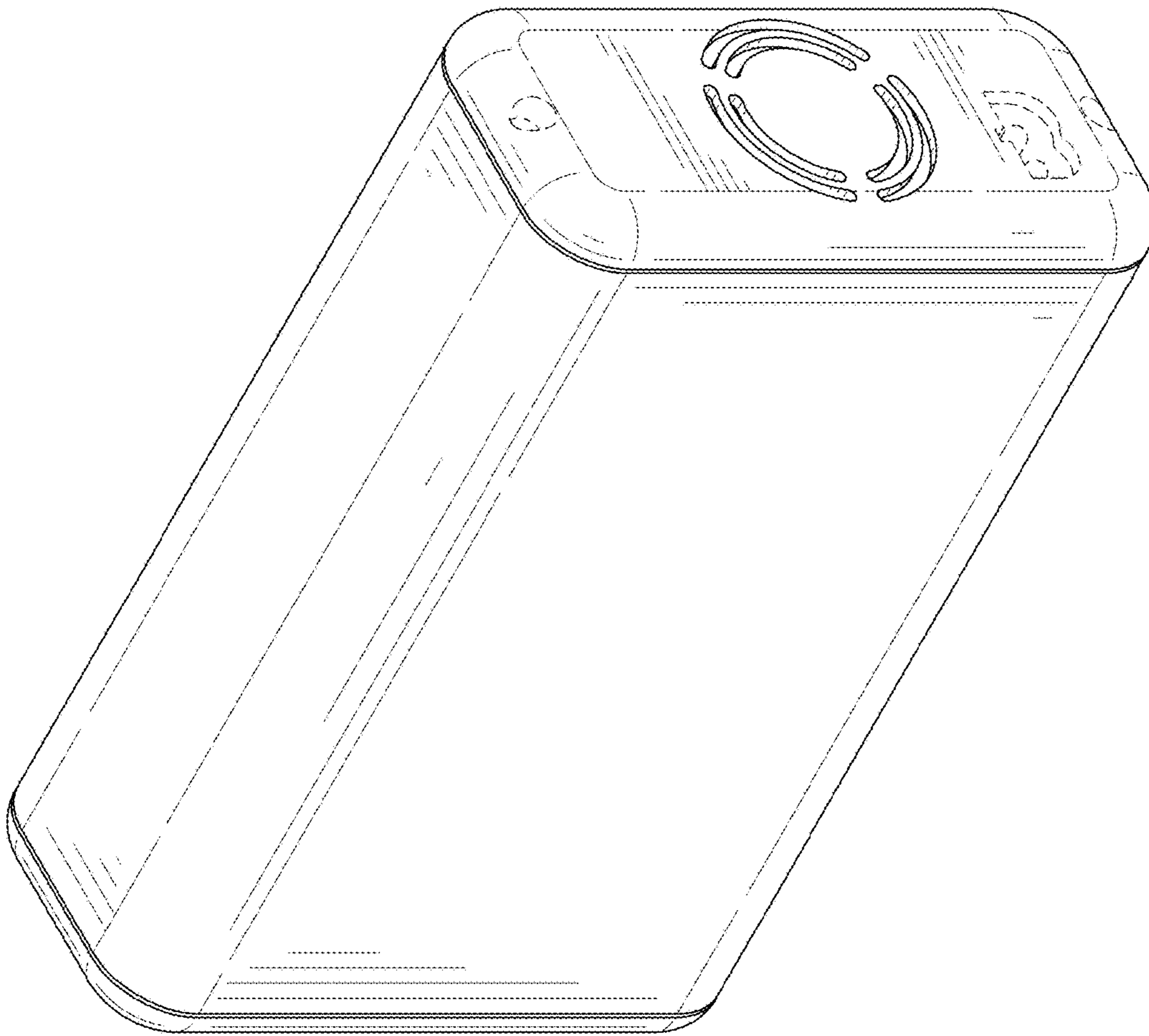


FIG. 2

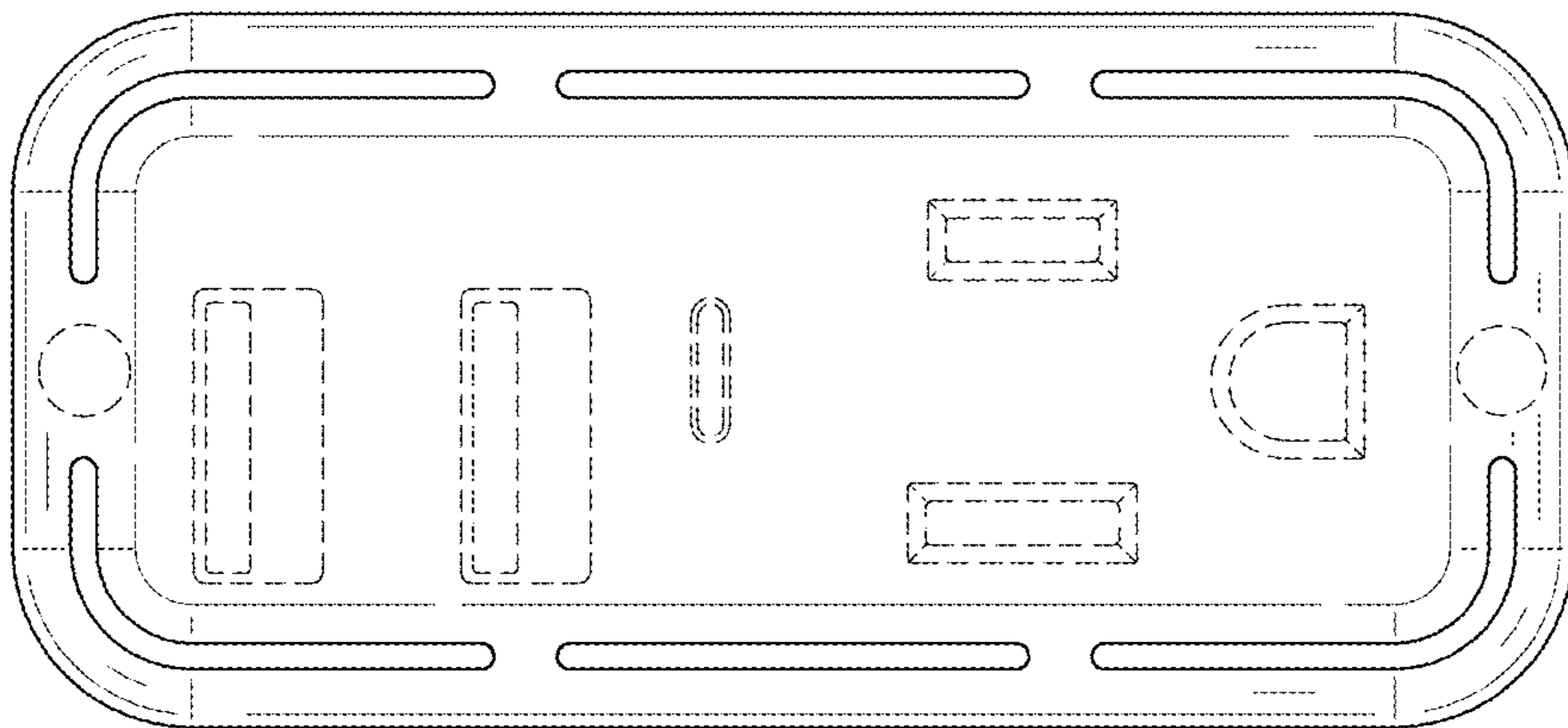


FIG. 3

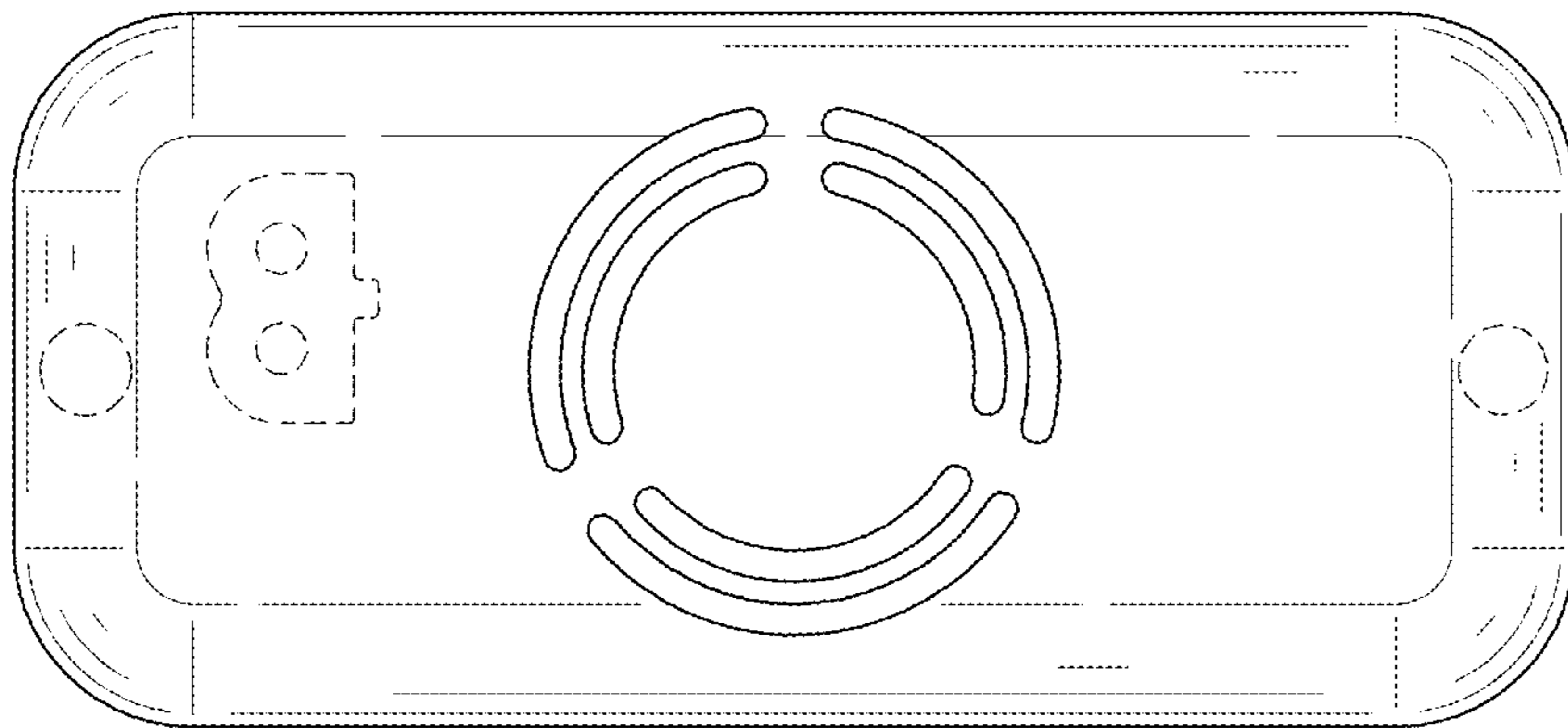


FIG. 4

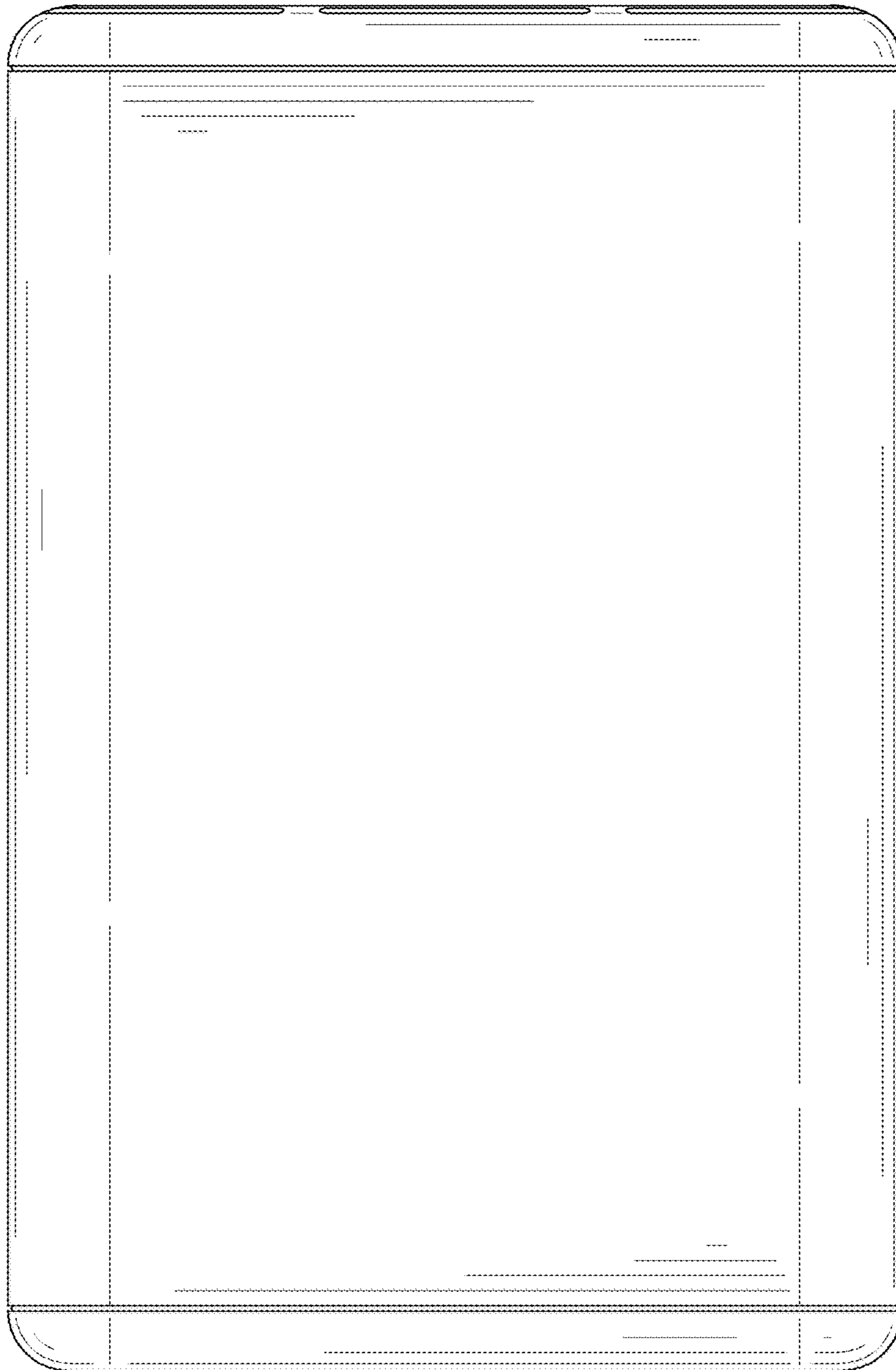


FIG. 5

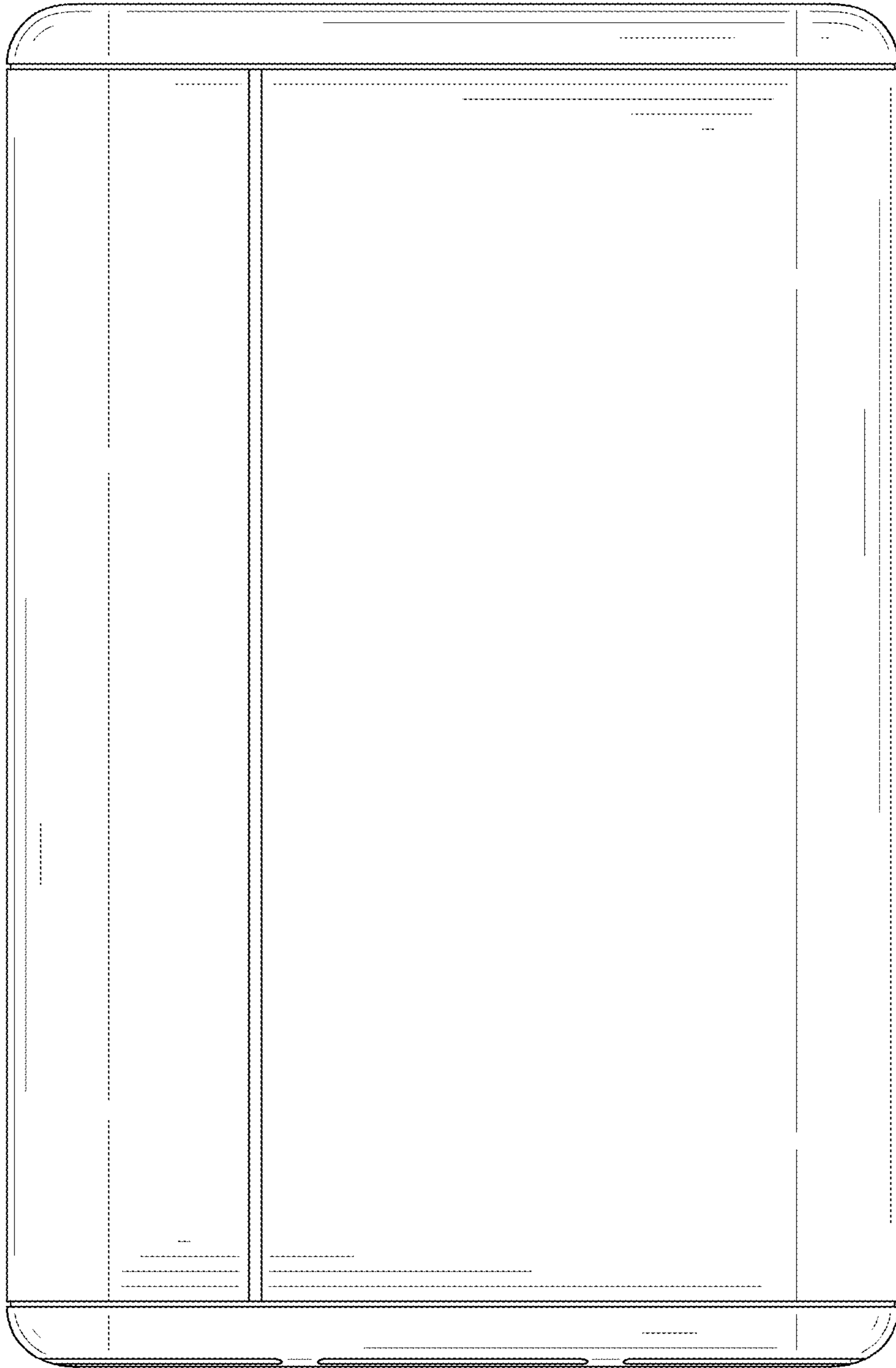


FIG. 6

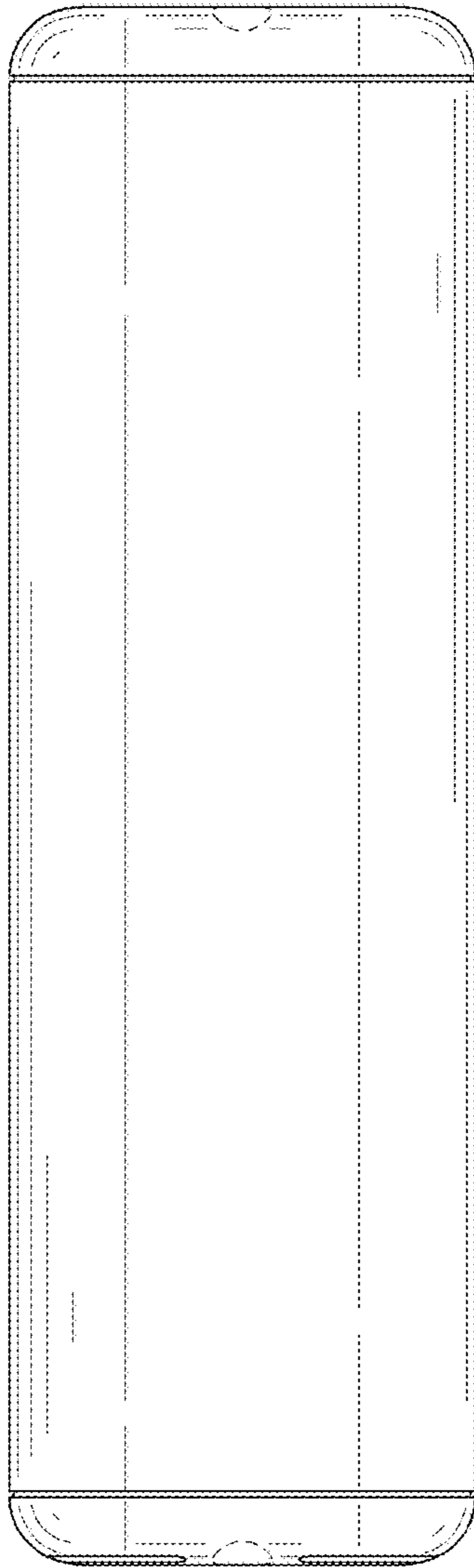


FIG. 7

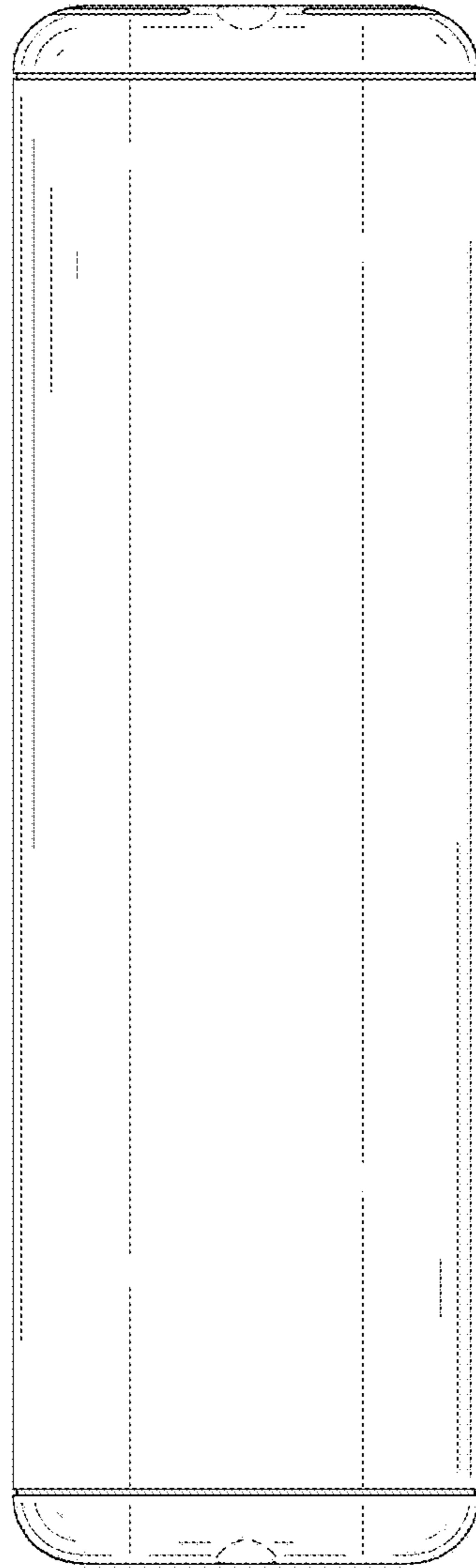


FIG. 8