



US00D864861S

(12) **United States Design Patent**
Roberts

(10) **Patent No.:** **US D864,861 S**

(45) **Date of Patent:** **** Oct. 29, 2019**

(54) **PORTABLE POWER BANK**

(71) Applicant: **James Roberts**, St Martin (JE)

(72) Inventor: **James Roberts**, St Martin (JE)

(73) Assignee: **Flashbay Electronics Hong Kong Limited**, Hong Kong (HK)

(**) Term: **15 Years**

(21) Appl. No.: **29/643,524**

(22) Filed: **Apr. 10, 2018**

(51) **LOC (12) Cl.** **13-02**

(52) **U.S. Cl.**
USPC **D13/108**; D13/103

(58) **Field of Classification Search**
USPC D13/102–110, 139.8, 118–119, 184, 199;
D14/356, 432

CPC Y02E 60/10; Y02E 60/12; Y02E 60/122;
Y02E 60/124; Y02E 60/50; H01M 2/02;
H01M 2/022; H01M 2/0202; H01M
2/0207; H01M 2/0212; H01M 2/1061;
H01M 2/1022; H01M 2/1055; H01M
2/1066; H01M 2/105; H01M 2/20; H01M
2/204; H01M 2/206; H01M 10/44; H01M
10/46; H01M 10/465; H01M 10/482;
H01M 2200/30; H01M 2250/30; H01M
2250/40; H02J 7/00; H02J 7/0003; H02J
7/0011; H02J 7/0013; H02J 7/0054; H02J
7/0055; H02J 7/0057; H02J 2007/0062

See application file for complete search history.

(56) **References Cited**

U.S. PATENT DOCUMENTS

D645,049 S * 9/2011 Faranda D13/108
D694,183 S * 11/2013 Matsuoka D13/110

D736,154 S * 8/2015 Levy D13/108
D762,173 S * 7/2016 Solomon D13/110
D765,073 S * 8/2016 Niizawa D14/356
D791,076 S * 7/2017 Kim D13/108
D795,874 S * 8/2017 Szeremeta D14/432
D809,455 S * 2/2018 Perez D13/108
D820,207 S * 6/2018 Lemelson D13/110
D820,208 S * 6/2018 Lemelson D13/110
2014/0152257 A1 * 6/2014 Miller H02J 7/0042
320/111
2016/0164325 A1 * 6/2016 Hinojosa H02J 7/0045
320/107
2018/0102654 A1 * 4/2018 Miller A45F 5/021

* cited by examiner

Primary Examiner — Rosemary K Tarcza
Assistant Examiner — Nathaniel D. Buckner

(57) **CLAIM**

The ornamental design for a portable power bank, as shown and described.

DESCRIPTION

FIG. 1 is a top view of the portable power bank.
FIG. 2 is a bottom view of the portable power bank.
FIG. 3 is a left side view of the portable power bank.
FIG. 4 is a right side view of the portable power bank.
FIG. 5 is a front view of the portable power bank.
FIG. 6 is a rear view of the portable power bank.
FIG. 7 is a front left top perspective view of the portable power bank; and,
FIG. 8 is a rear right top perspective view of the portable power bank.

1 Claim, 2 Drawing Sheets

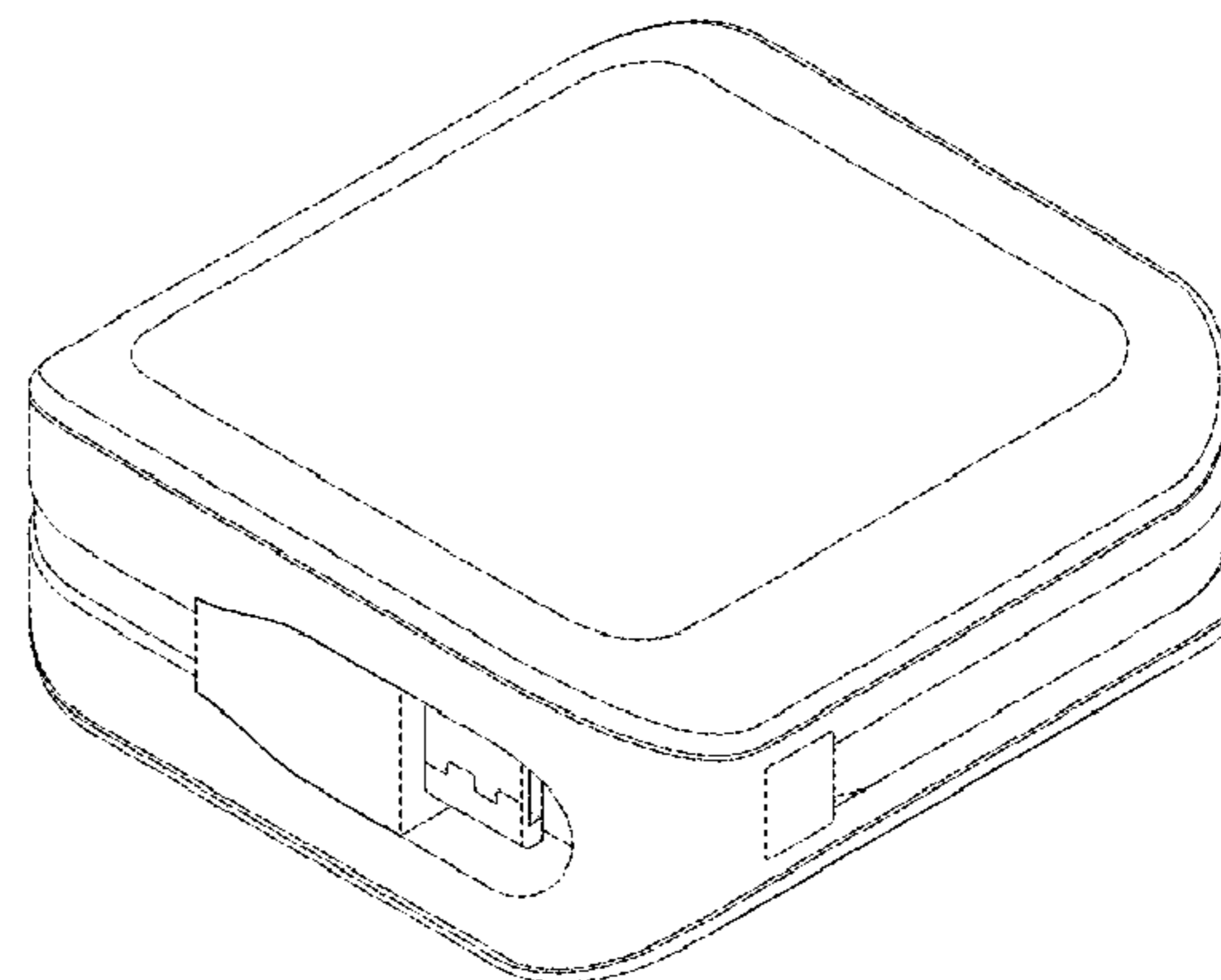
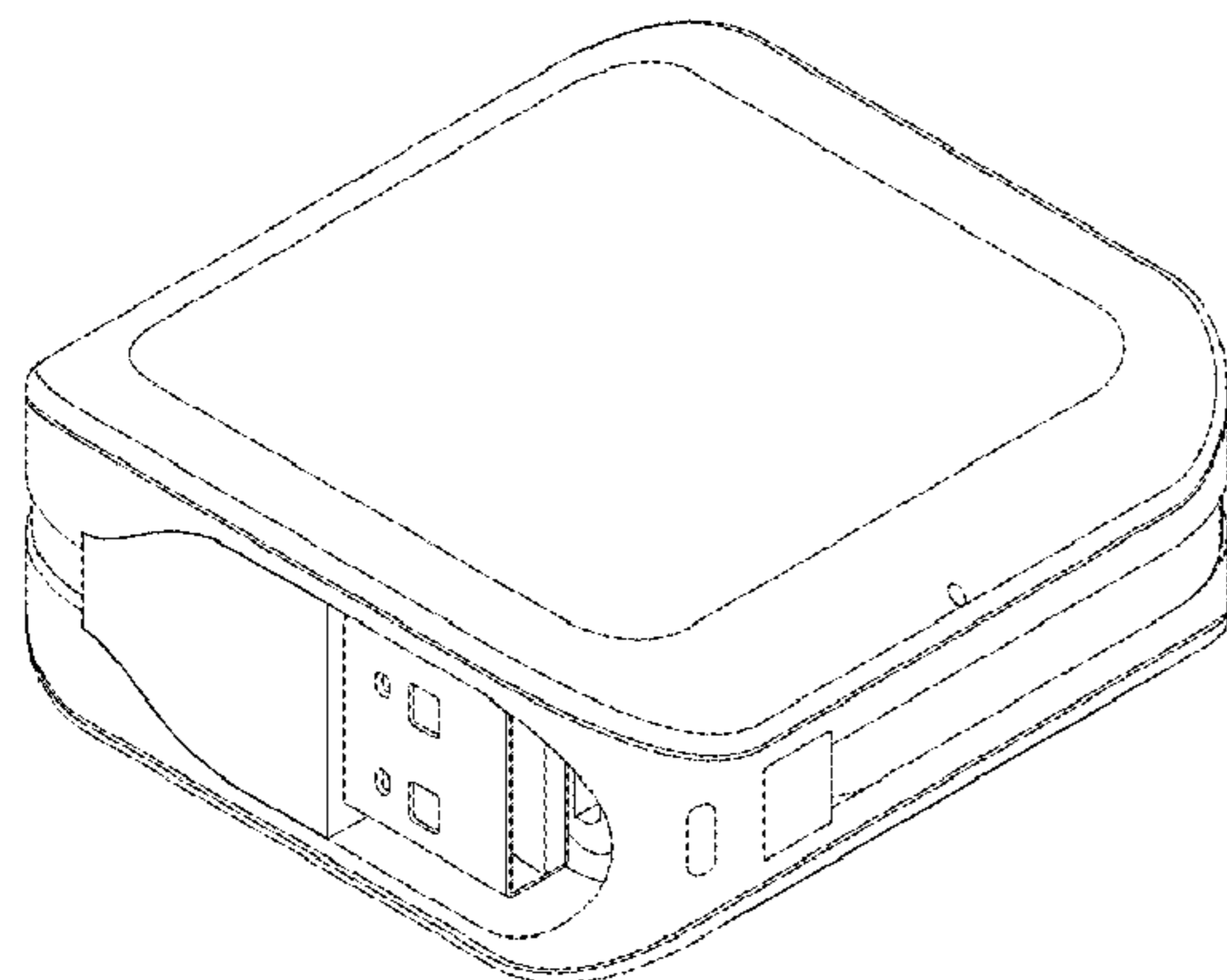


FIG.1

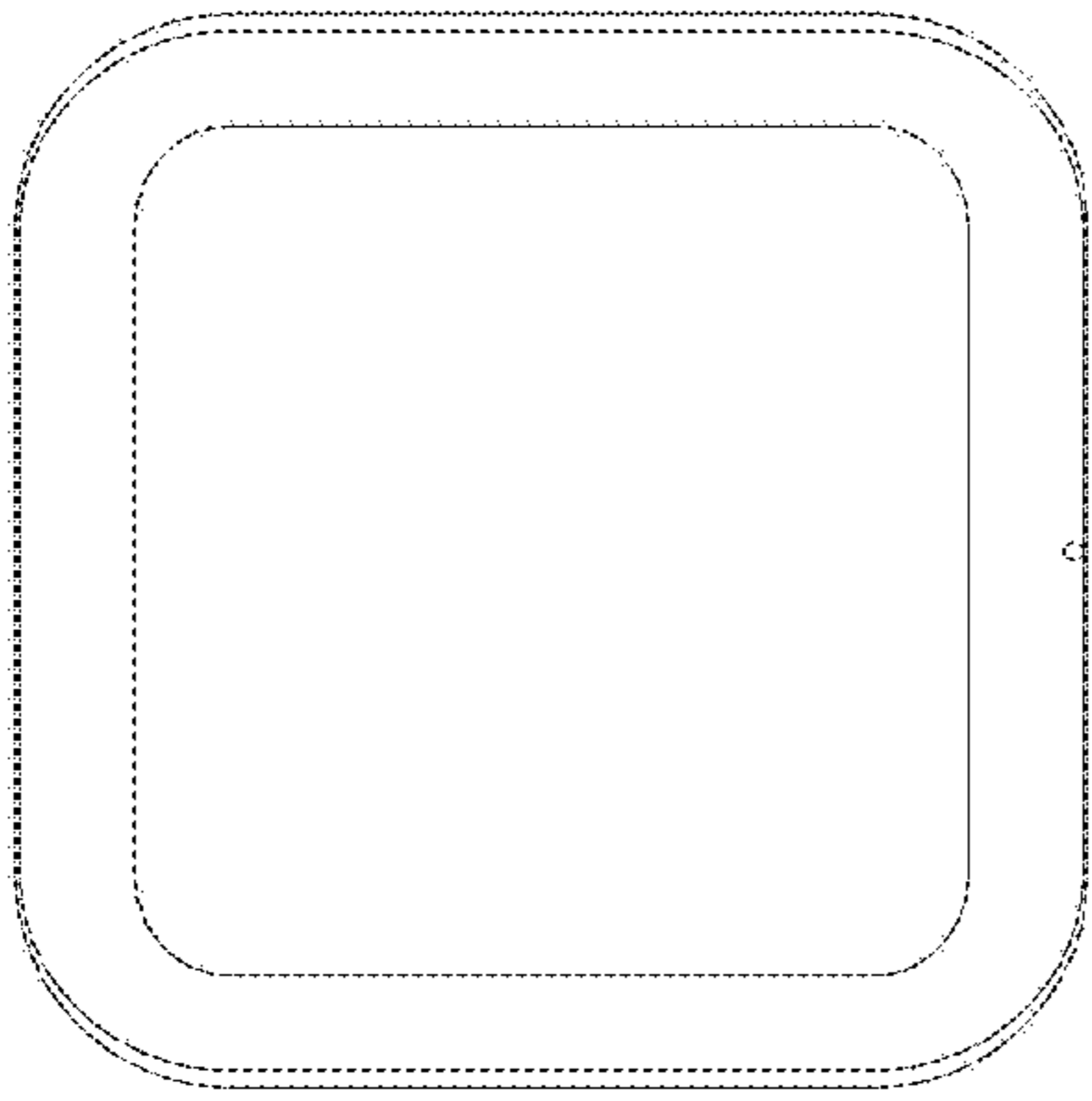


FIG.2

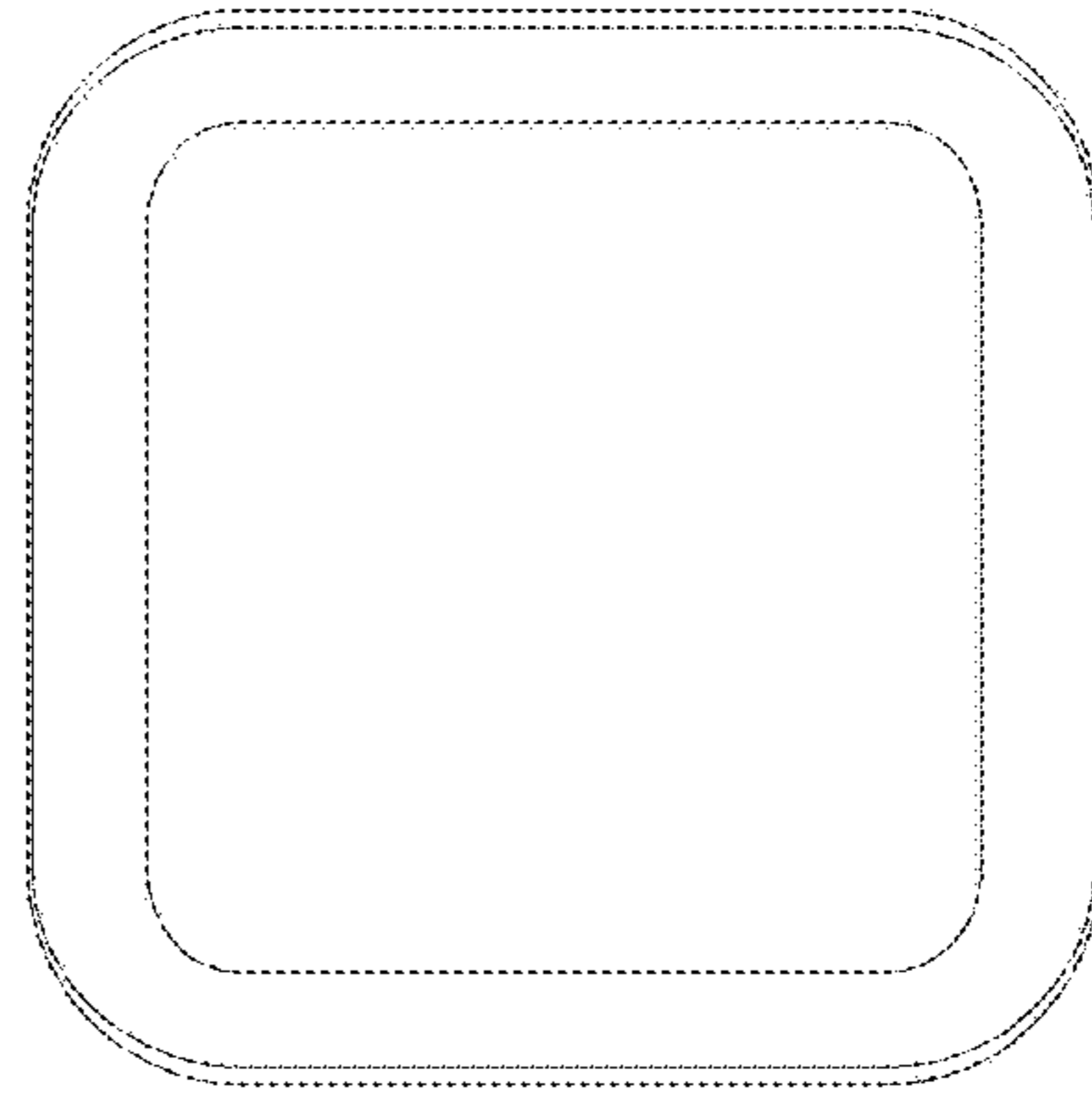


FIG.3

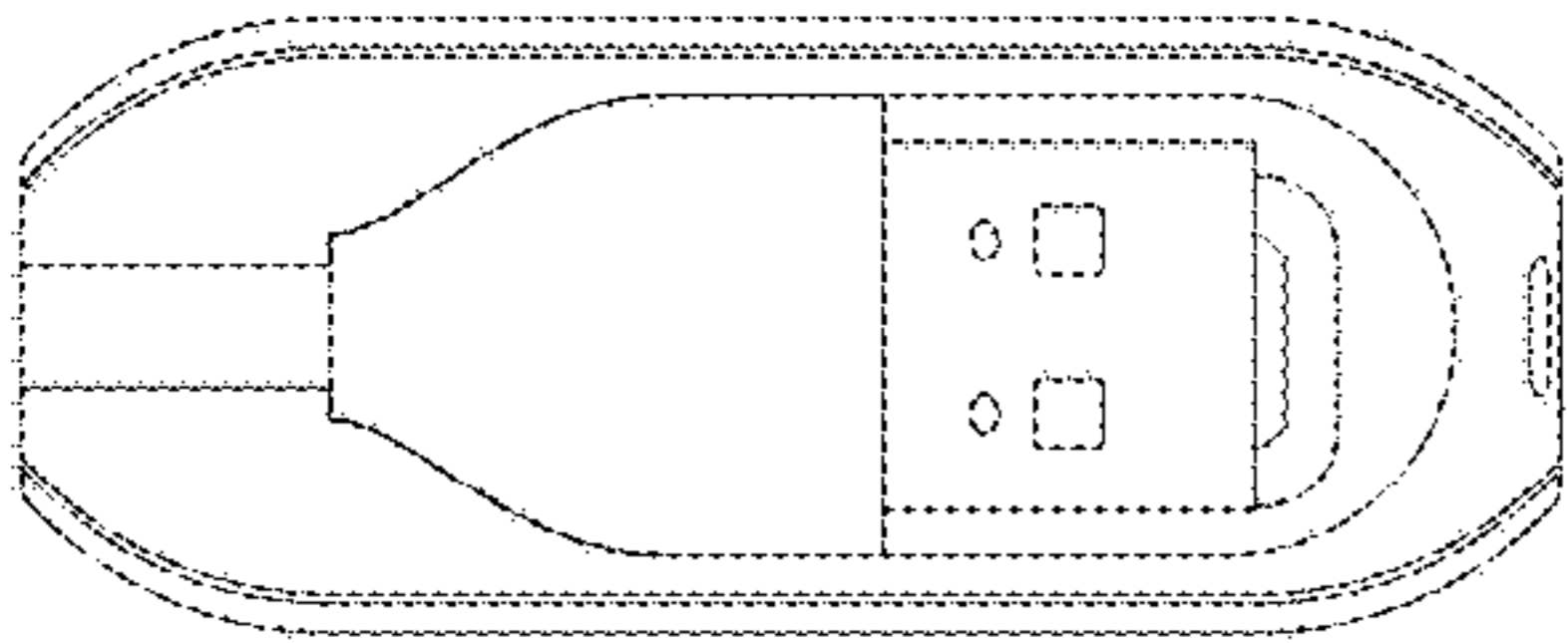


FIG.4

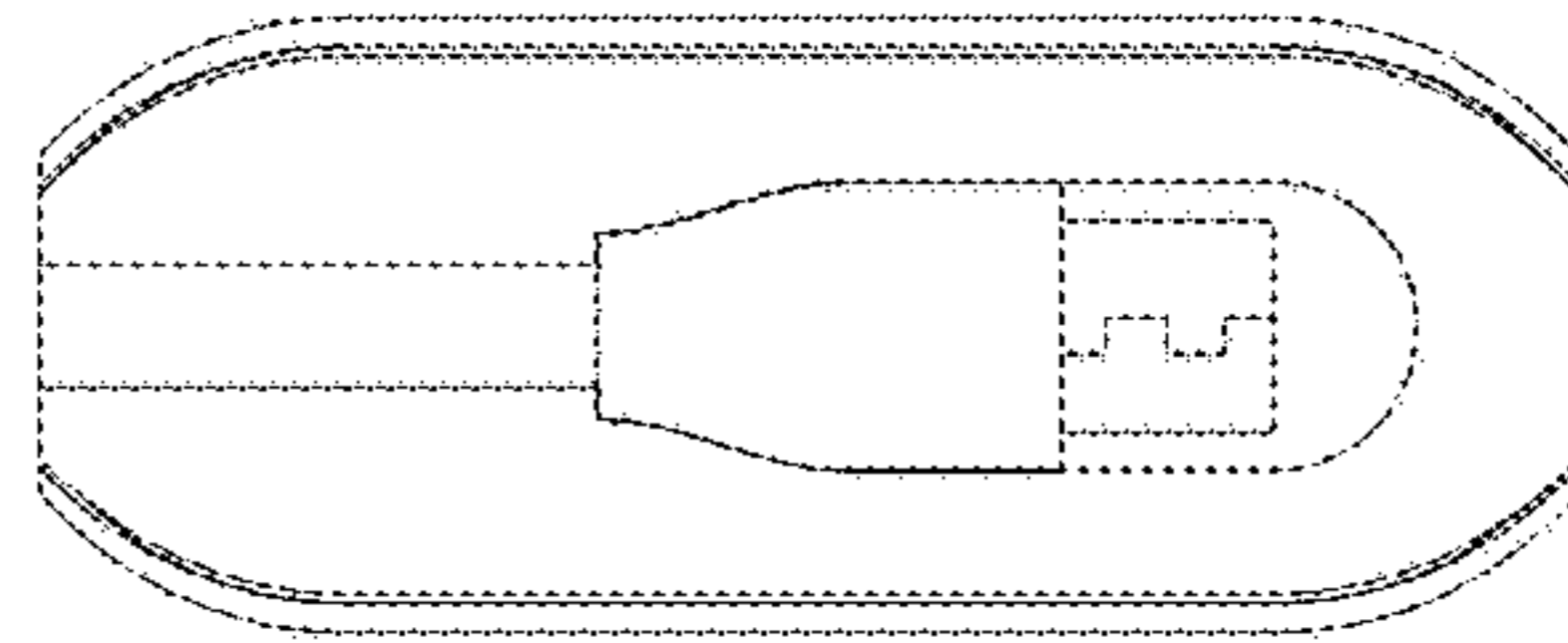


FIG.5

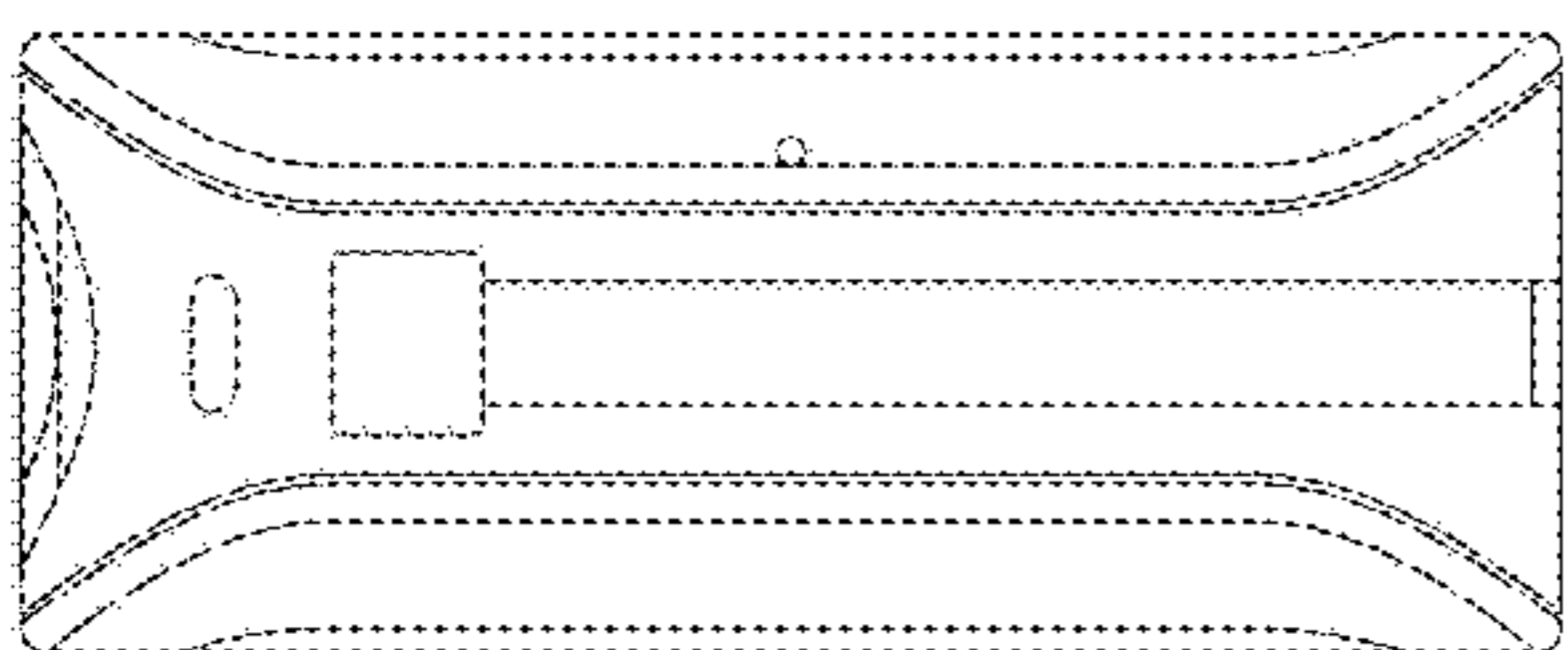


FIG.6

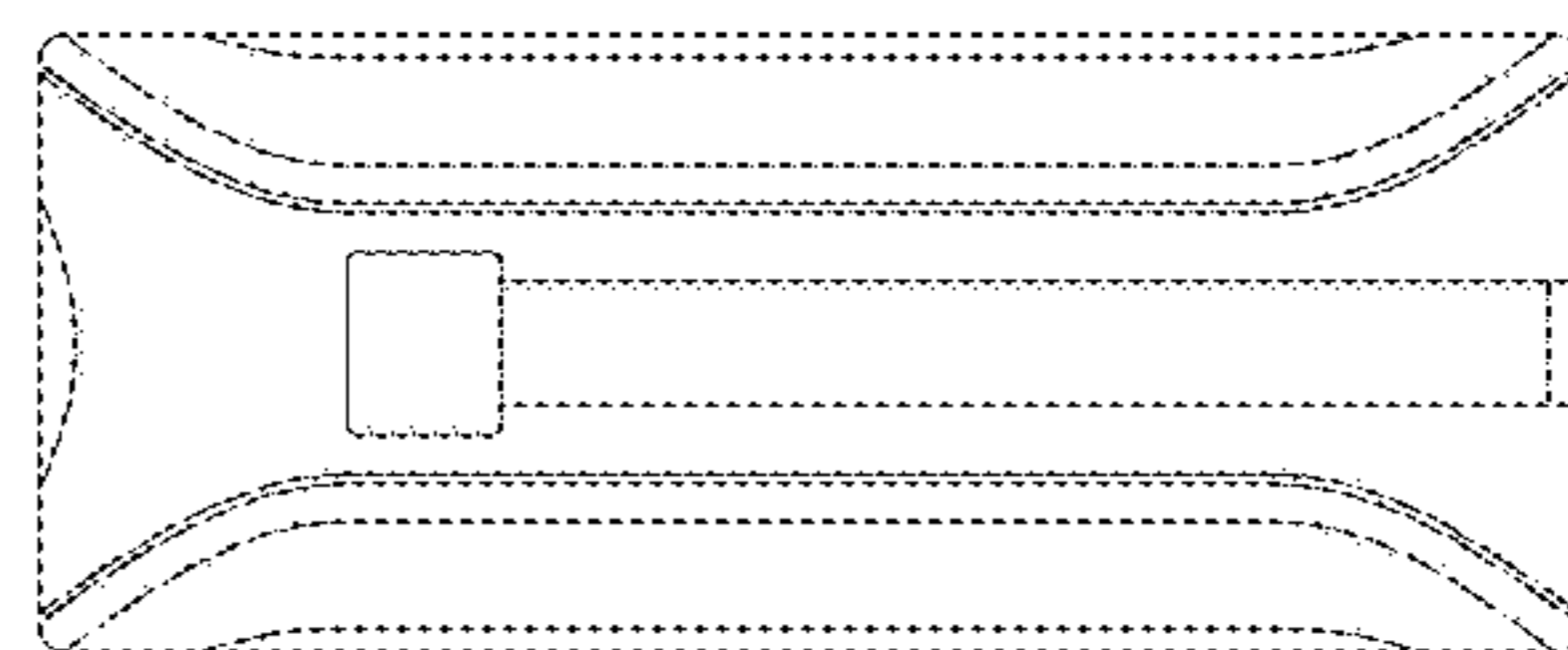


FIG.7

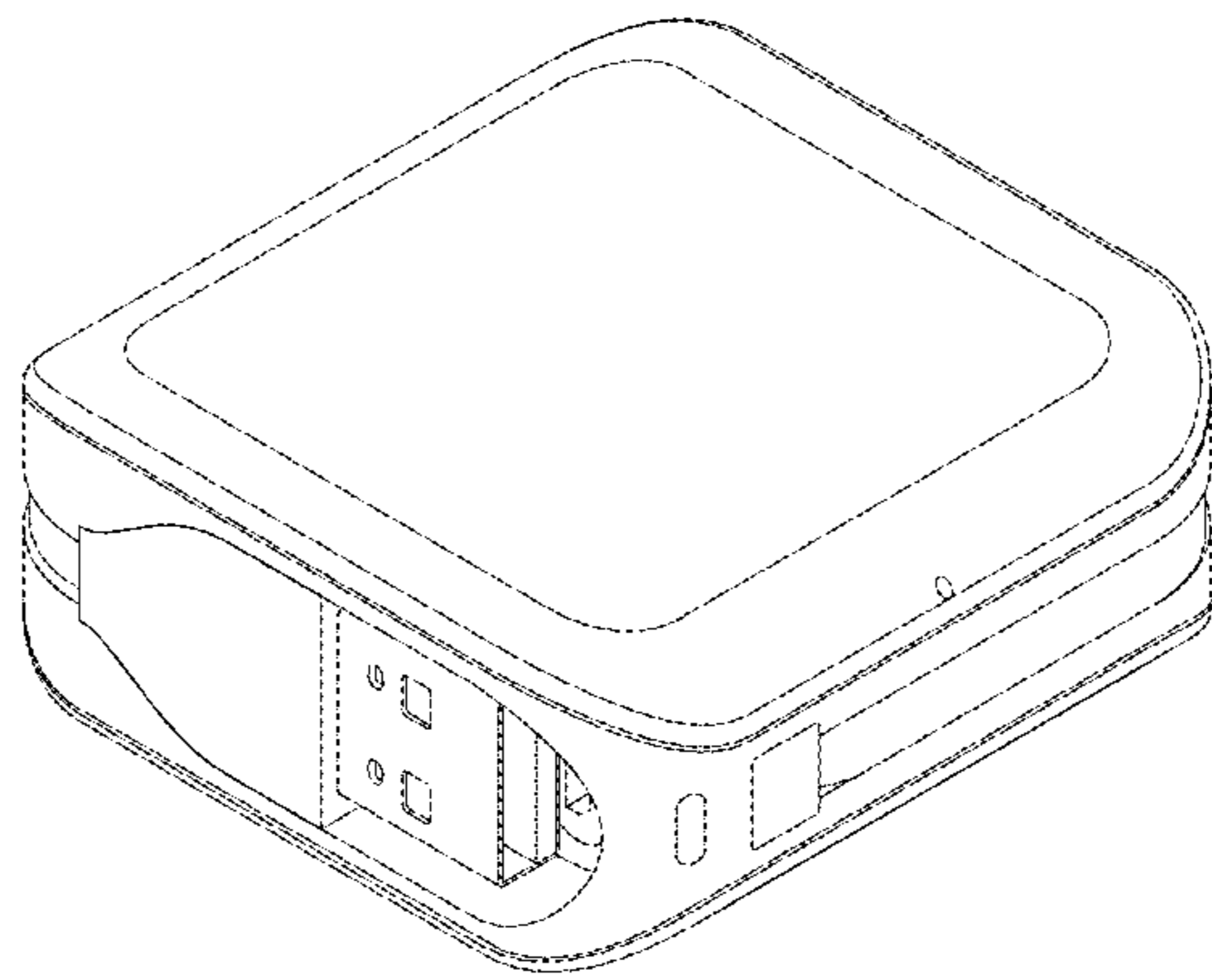


FIG.8

