



US00D864860S

(12) **United States Design Patent**
Zhan

(10) **Patent No.:** **US D864,860 S**

(45) **Date of Patent:** **** Oct. 29, 2019**

(54) **COMBINED ELECTRIC CLEANING
INSTRUMENT AND WIRELESS CHARGER**

(71) Applicant: **Yongyuan Zhan**, Zhejiang (CN)

(72) Inventor: **Yongyuan Zhan**, Zhejiang (CN)

(**) Term: **15 Years**

(21) Appl. No.: **29/624,020**

(22) Filed: **Oct. 30, 2017**

(51) **LOC (12) Cl.** **13-02**

(52) **U.S. Cl.**
USPC **D13/108**; D4/116; D4/100

(58) **Field of Classification Search**
USPC D13/102–110, 118–119, 184, 199;
D14/356, 432, 447; D28/85; D4/100,
D4/116

CPC Y02E 60/10; Y02E 60/12; Y02E 60/122;
Y02E 60/124; Y02E 60/50; H01M 2/02;
H01M 2/022; H01M 2/0202; H01M
2/0207; H01M 2/0212; H01M 2/1061;
H01M 2/1022; H01M 2/1055; H01M
2/1066; H01M 2/105; H01M 2/20; H01M
2/202; H01M 2/204; H01M 2/206; H01M
10/44; H01M 10/46; H01M 10/465;
H01M 10/482; H01M 2200/30; H01M
2250/30; H01M 2250/40; H02J 7/00;
H02J 7/0003; H02J 7/0011; H02J 7/0013;
H02J 7/0054; H02J 7/0055; H02J 7/0057;
H02J 2007/0062

See application file for complete search history.

(56) **References Cited**

U.S. PATENT DOCUMENTS

D677,622 S * 3/2013 Cole D13/108
D728,241 S * 5/2015 Helmbold D4/102
D753,057 S * 4/2016 Kubo D13/108
9,627,918 B2 * 4/2017 Chen H02J 7/025
D790,484 S * 6/2017 Bristol D13/168

D815,091 S * 4/2018 Nguyen D14/356
D819,592 S * 6/2018 Folkmann D14/149
2011/0251523 A1 * 10/2011 Kim A61H 23/0245
601/2
2015/0097519 A1 * 4/2015 Chen H02J 7/025
320/108
2015/0257521 A1 * 9/2015 Hendler H02K 33/16
15/22.4

(Continued)

OTHER PUBLICATIONS

How to use the face yoga method sonic face brush, Face Yoga Method, published on Nov. 5, 2015 on youtube.com, retrieved on Dec. 18, 2018, retrieved from the Internet URL: <https://www.youtube.com/watch?v=vF9h9SJ3yF8>.*

(Continued)

Primary Examiner — Jennifer Rivard
Assistant Examiner — Alison M Ofstun

(57) **CLAIM**

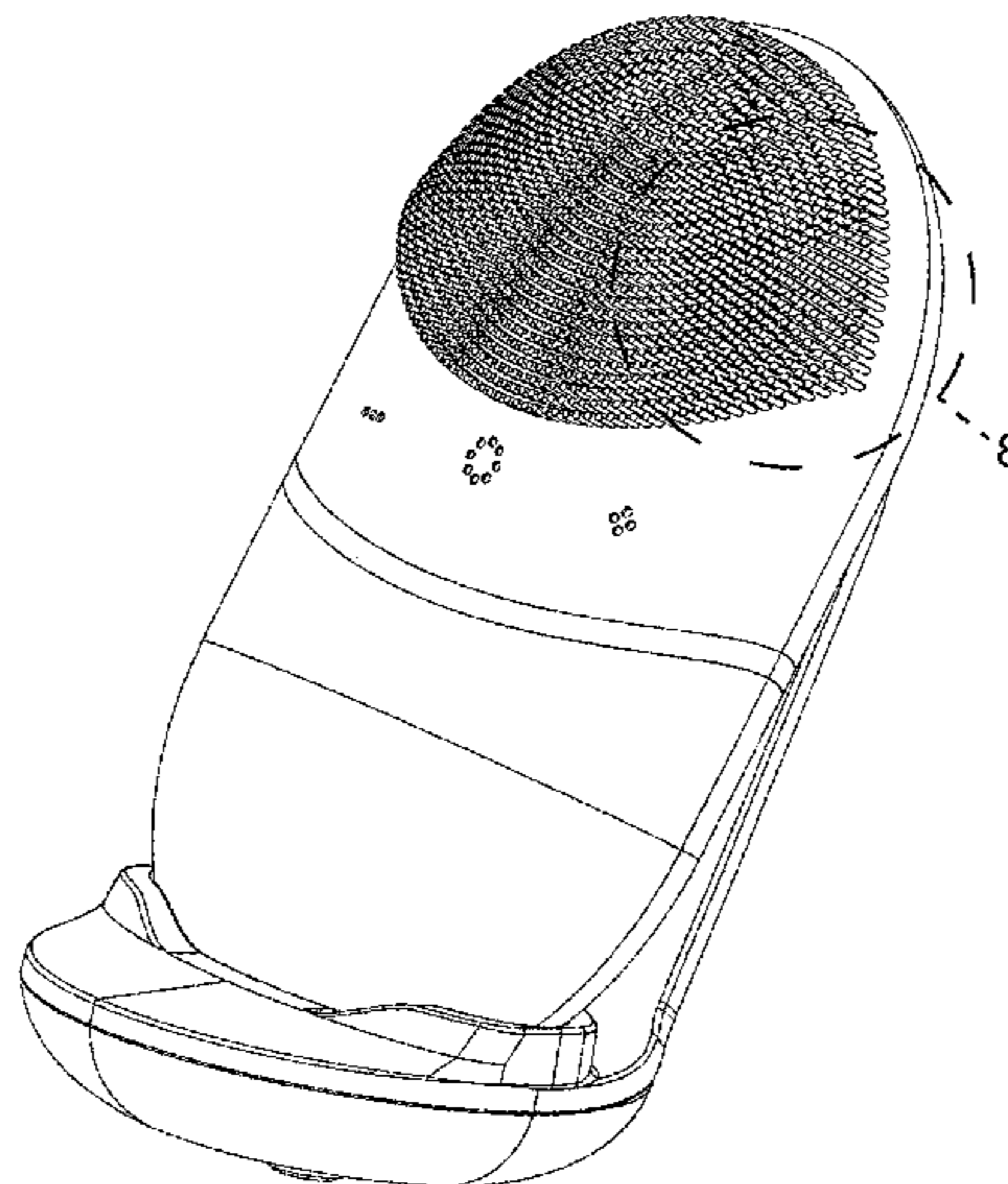
The ornamental design for a combined electric cleaning instrument and wireless charger, as shown and described.

DESCRIPTION

FIG. 1 is a perspective view of a combined electric cleaning instrument and wireless charger, showing my new design; FIG. 2 is a front elevational view thereof; FIG. 3 is a rear elevational view thereof; FIG. 4 is a left side elevational view thereof; FIG. 5 is a right side elevational view thereof; FIG. 6 is a top plan view thereof; FIG. 7 is a bottom plan view thereof; and, FIG. 8 is an enlarged view thereof, of the portion indicated “8” shown in FIG. 1.

In the drawings, the broken lines are included for the purpose of illustrating an enlarged fragmentary view indicator and portions of the article which form no part of the claimed design.

1 Claim, 8 Drawing Sheets



(56)

References Cited

U.S. PATENT DOCUMENTS

2015/0359324 A1* 12/2015 Brewer A46B 15/001
15/22.1
2017/0086626 A1* 3/2017 Fang A47K 7/043
2018/0028395 A1* 2/2018 Roth A61H 7/003

OTHER PUBLICATIONS

Facial Cleansing Brush Electric Silicone Face Massager Brush, Ms. Dear, reviewed on Jun. 22, 2016 on amazon.co.uk, retrieved on Dec. 18, 2018, retrieved from the Internet URL: https://www.amazon.co.uk/Cleansing-HailiCare-Waterproof-Anti-Aging-Exfoliator/dp/B019YT00QQ/ref=sr_1_12_s_it?s=beauty&ie=UTF8&qid=1545150560&sr=1.*

* cited by examiner

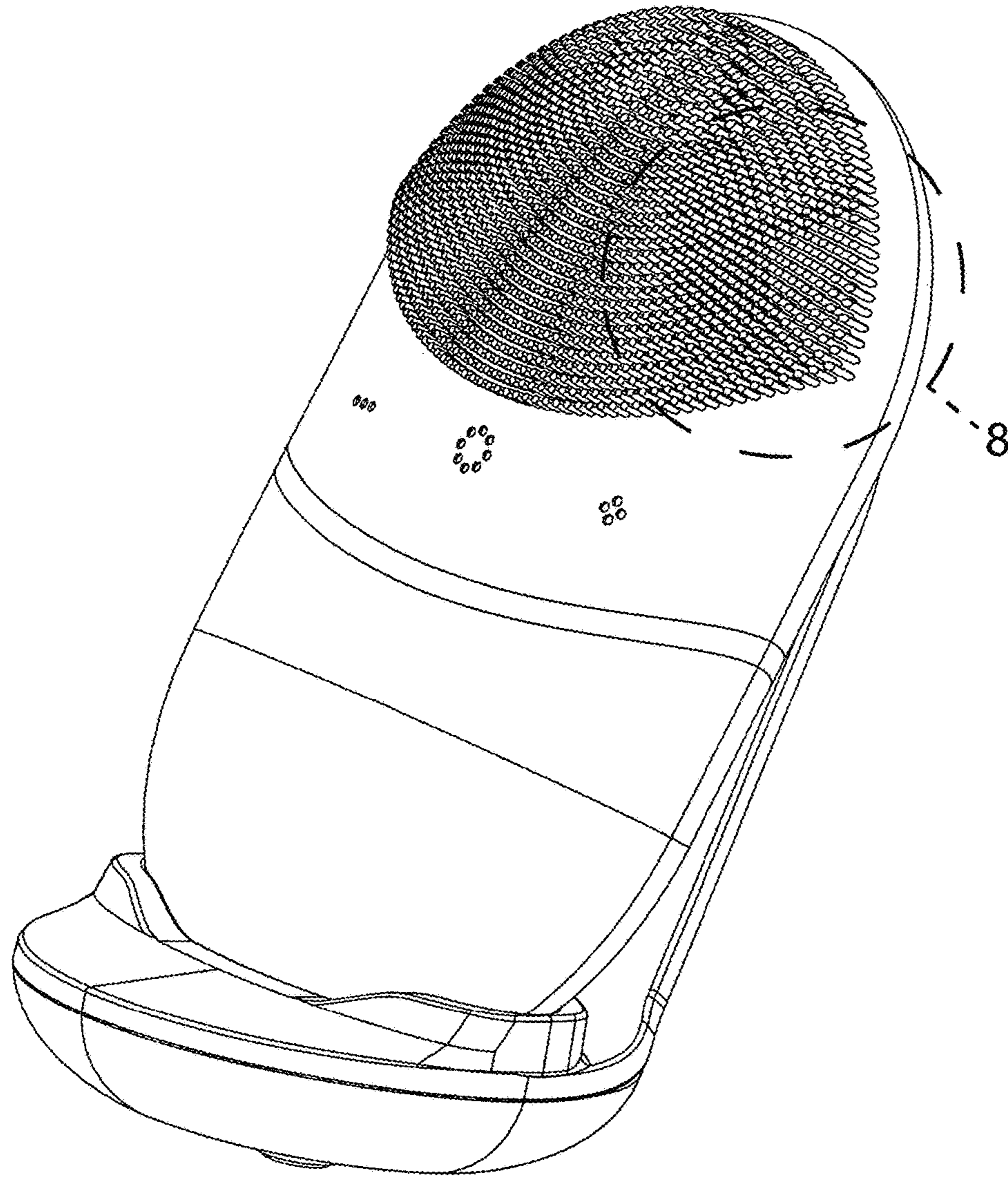


FIG.1

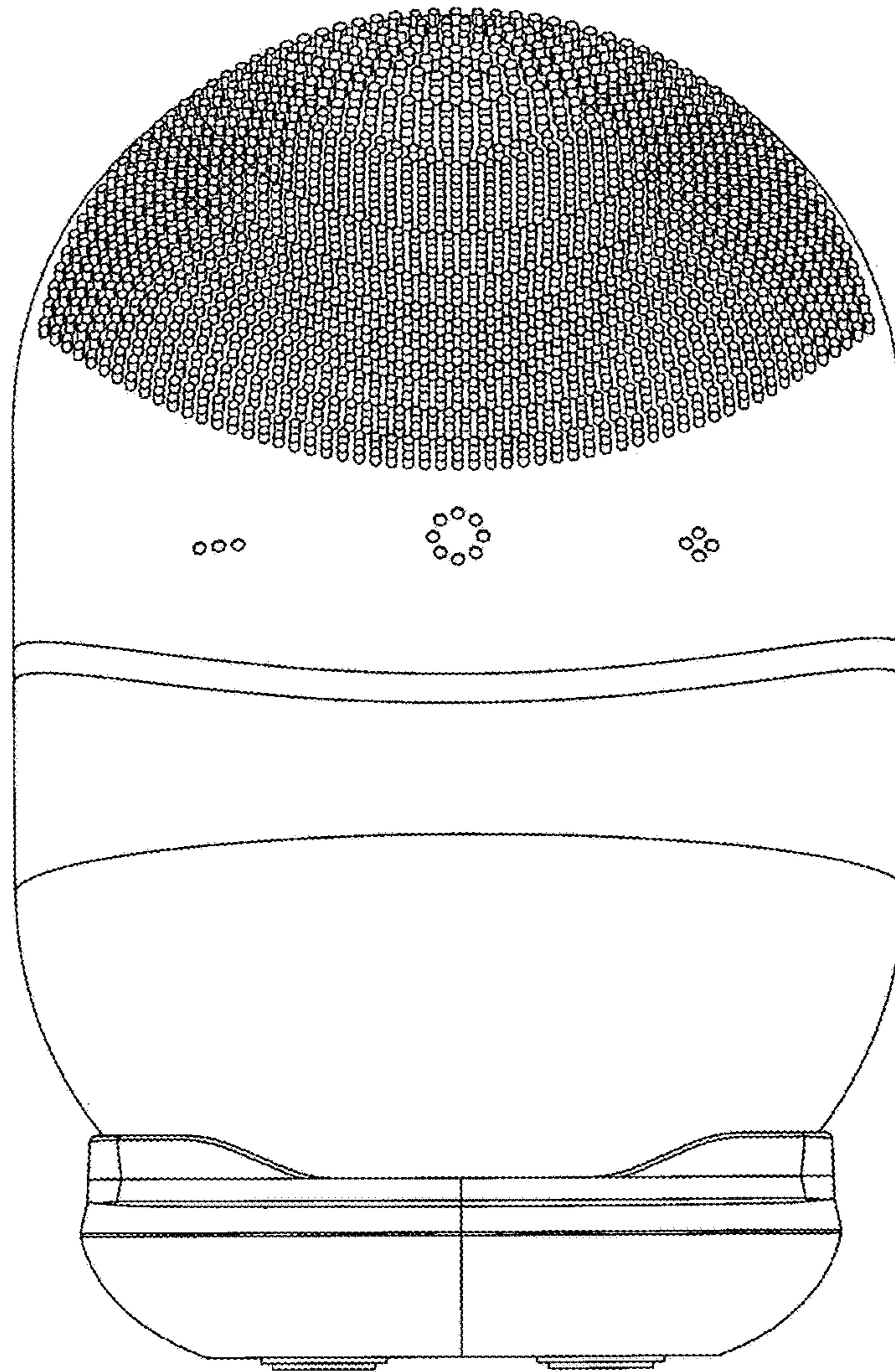


FIG.2

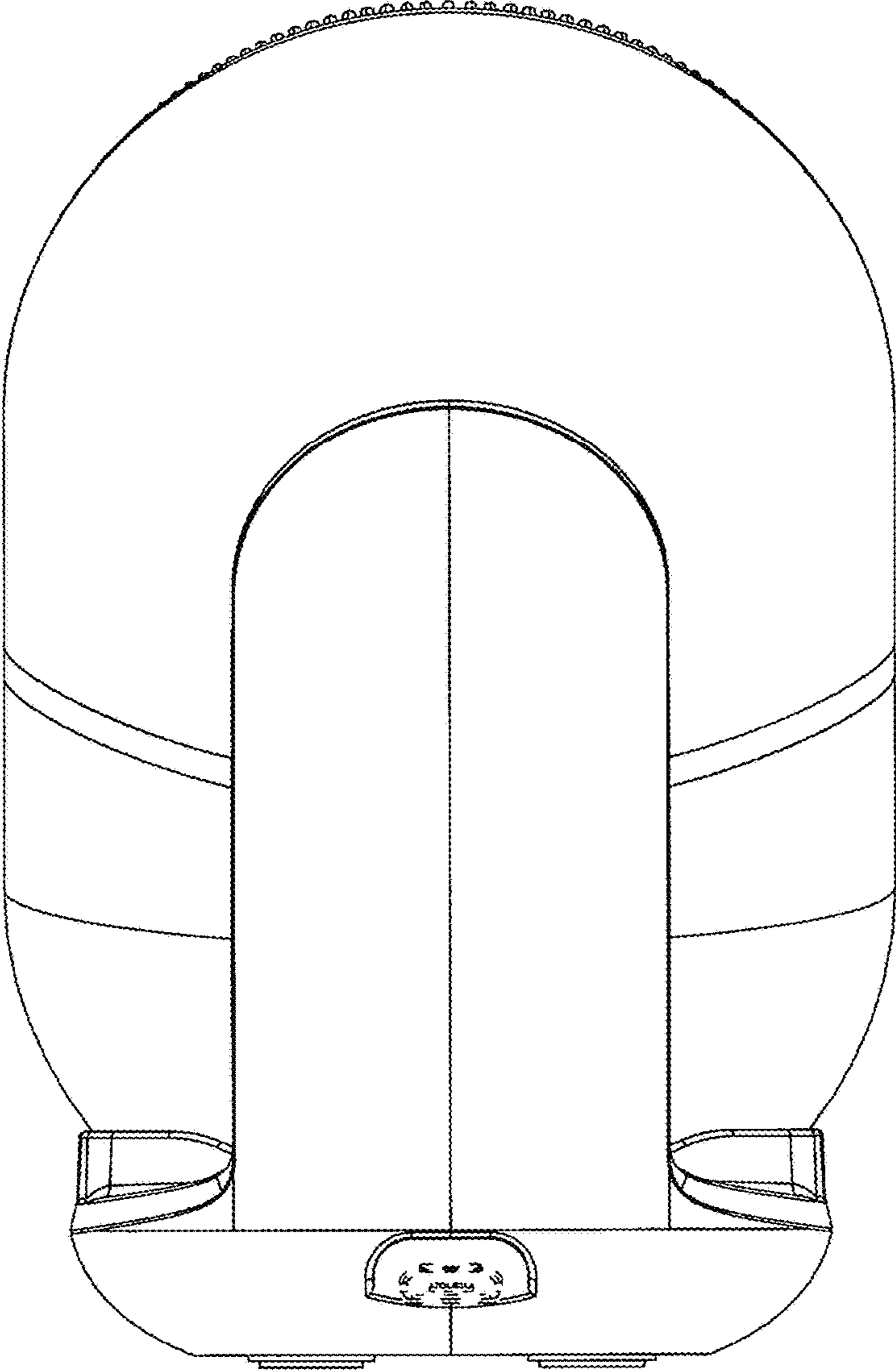


FIG.3

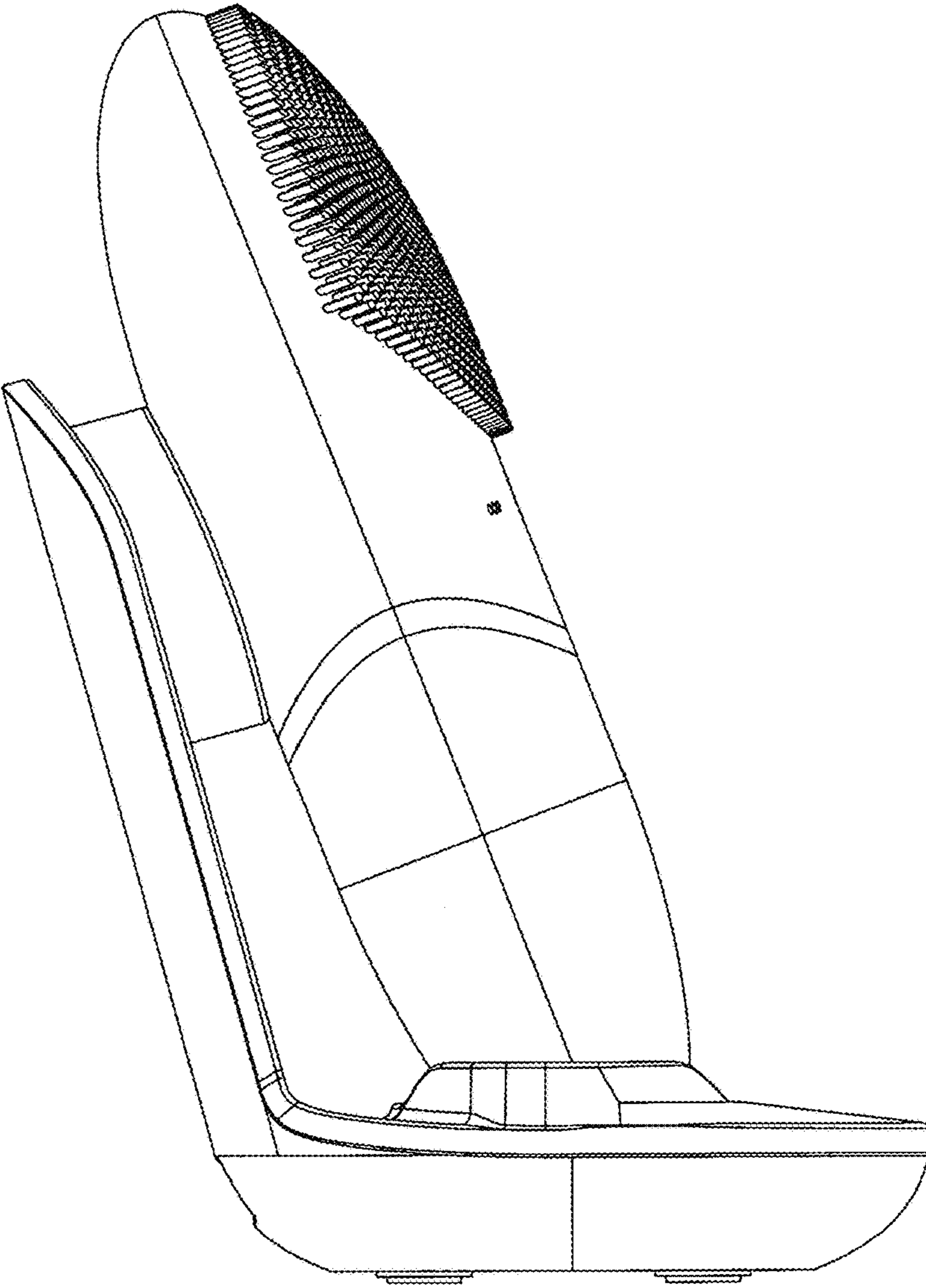


FIG. 4

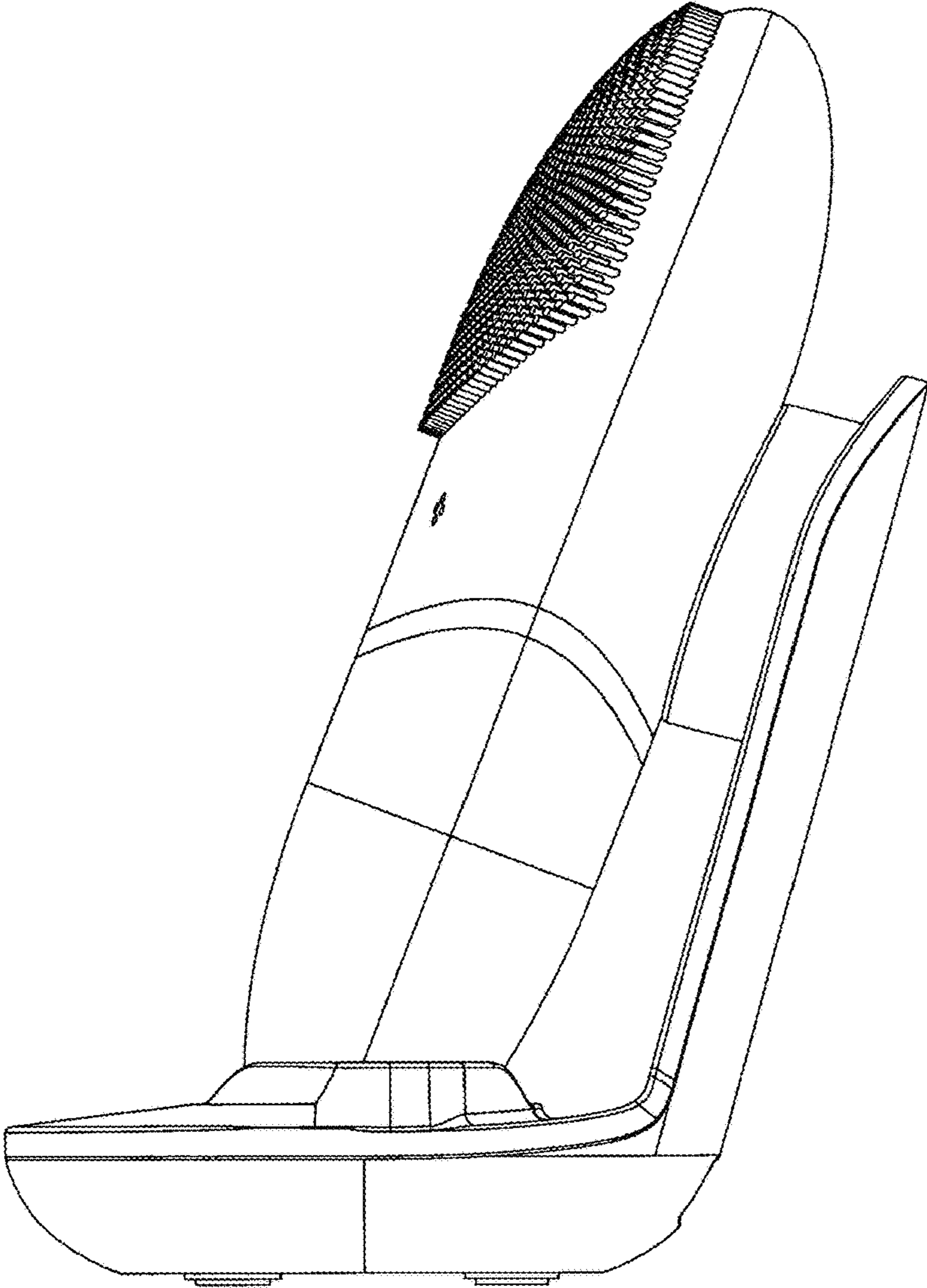


FIG.5

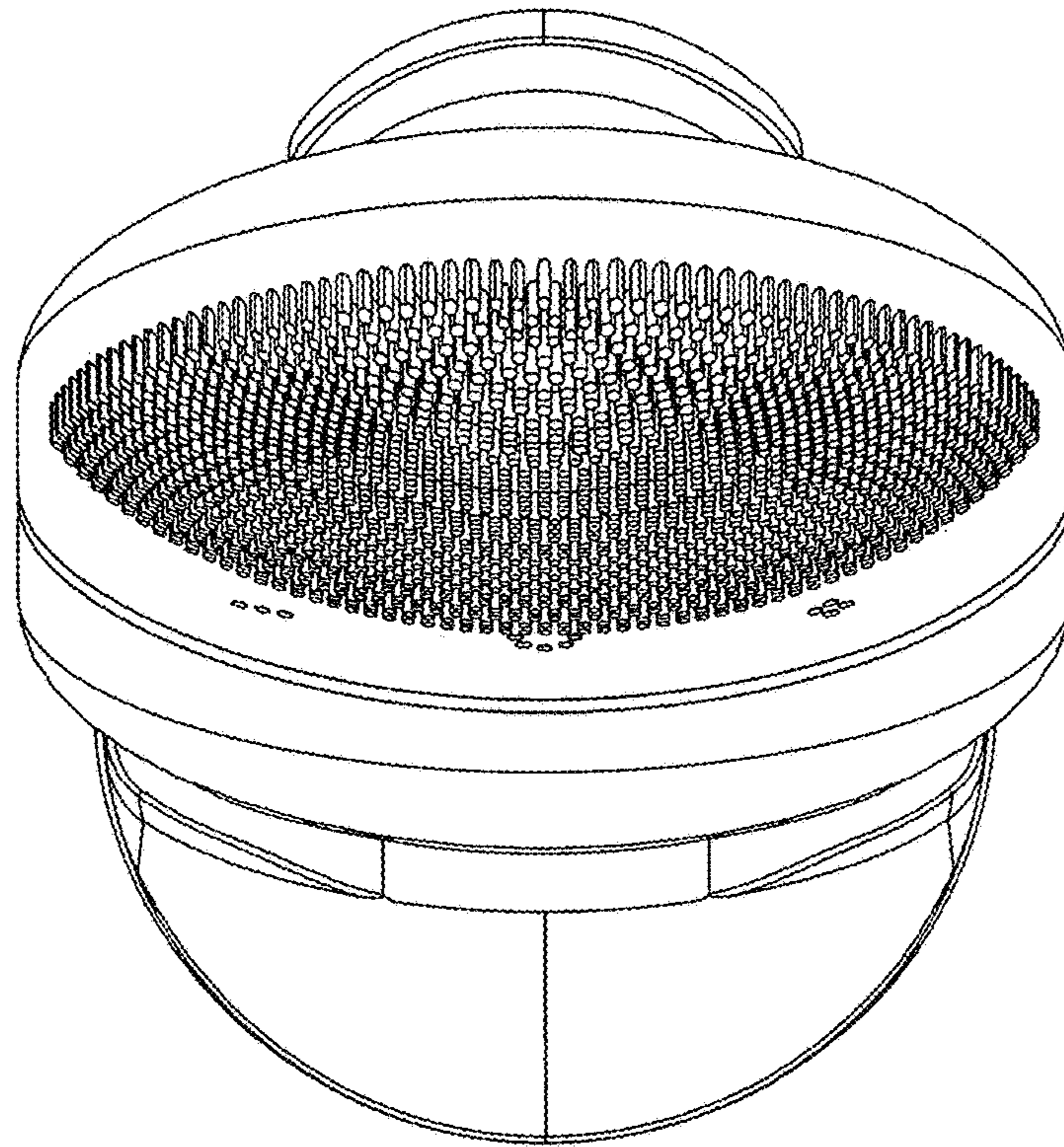


FIG.6

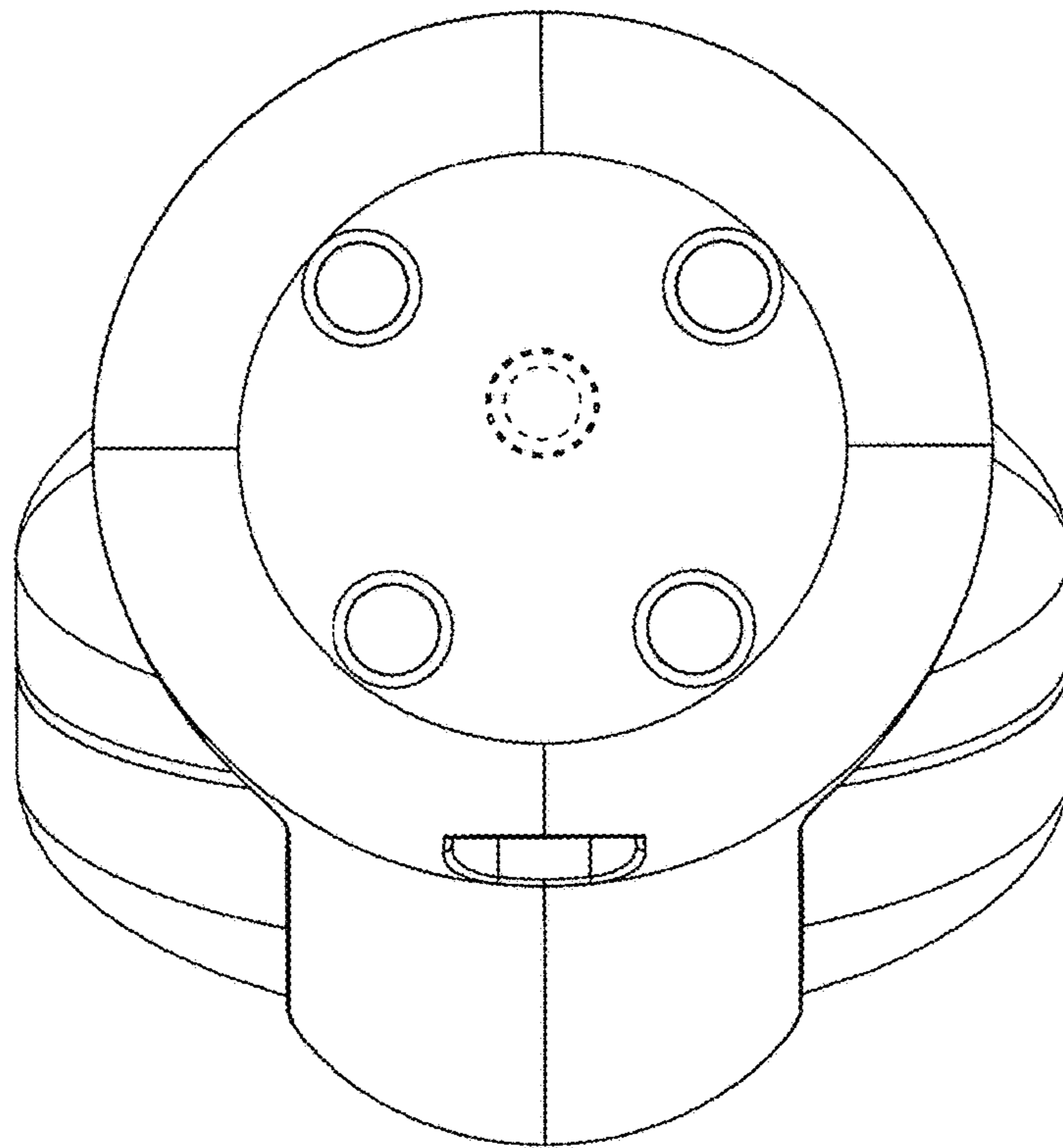


FIG. 7

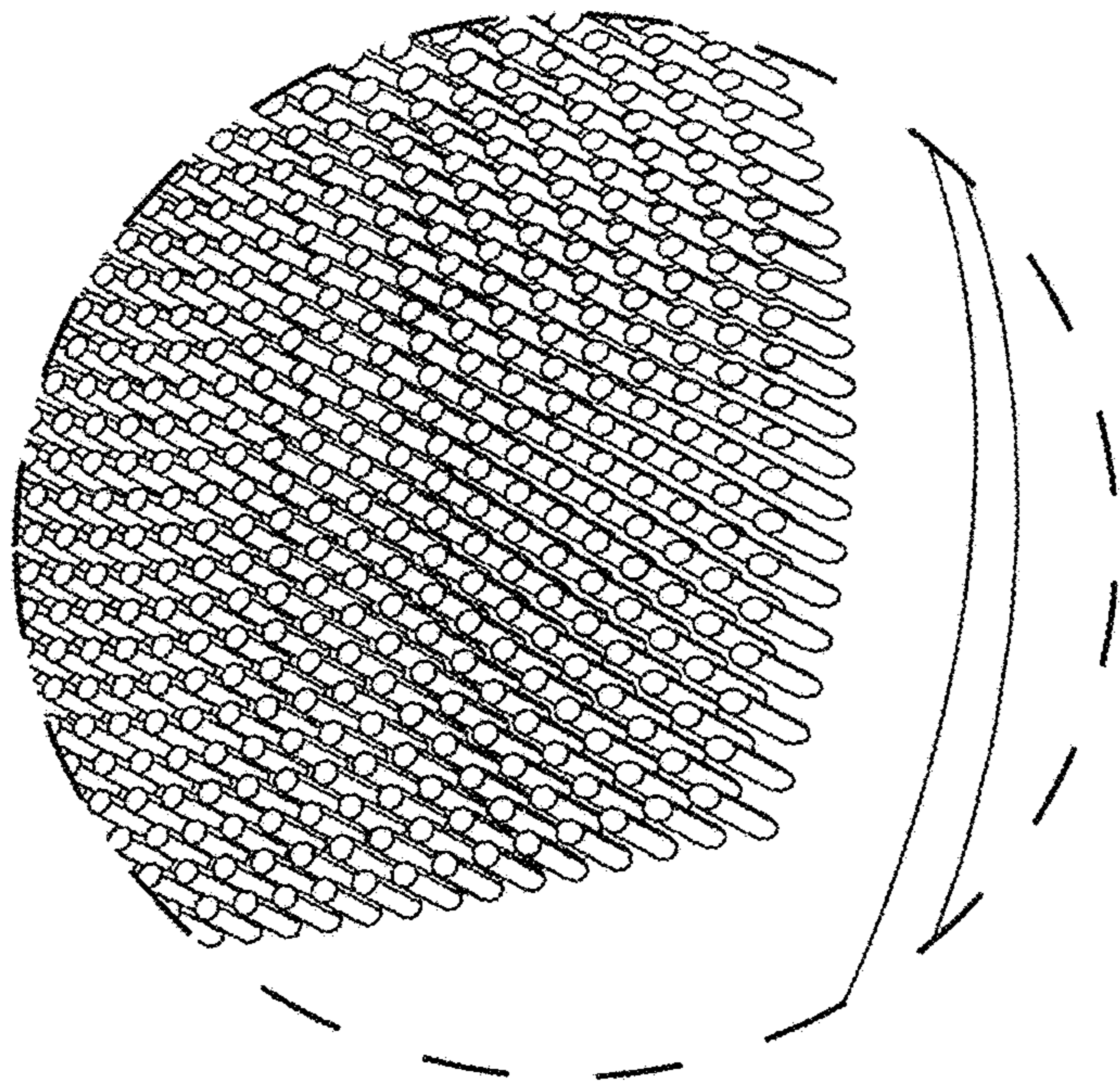


FIG. 8