

US00D864859S

(12) **United States Design Patent** (10) **Patent No.:** **US D864,859 S**
Qiu (45) **Date of Patent:** **** Oct. 29, 2019**

(54) **POWER SUPPLY DEVICE**

(56) **References Cited**

(71) Applicant: **Changzhou Patent Electronic Technology Co., LTD.**, Changzhou, Jiangsu (CN)

(72) Inventor: **Weihua Qiu**, Jiangsu (CN)

(73) Assignee: **JOYETECH EUROPE HOLDING GMBH**, Zug (CH)

(**) Term: **15 Years**

(21) Appl. No.: **29/622,134**

(22) Filed: **Oct. 13, 2017**

(30) **Foreign Application Priority Data**

Apr. 14, 2017 (CN) 2017 3 0124012

(51) **LOC (12) Cl.** **13-02**

(52) **U.S. Cl.**
USPC **D13/108; D27/162**

(58) **Field of Classification Search**
USPC D13/102, 103, 107-108, 110, 119;
D14/356, 432; D27/162, 167; D7/512,
D7/513, 700
CPC Y02E 60/10; Y02E 60/12; Y02E 60/122;
Y02E 60/124; Y02E 60/50; H01M 2/02;
H01M 2/022; H01M 2/0202; H01M
2/0207; H01M 2/0212; H01M 2/1061;
H01M 2/1022; H01M 2/1055; H01M
2/1066; H01M 2/105; H01M 2/20; H01M
2/202; H01M 2/204; H01M 2/206; H01M
2200/30; H01M 2250/30; H01M 2250/40;
H02J 7/00; H02J 7/0003; H02J 7/0011;
H02J 7/0013; H02J 7/0054; H02J 7/0055;
H02J 7/0057

See application file for complete search history.

U.S. PATENT DOCUMENTS

D821,640 S *	6/2018	Qiu	D27/162
D824,096 S *	7/2018	Qiu	D27/167
D828,621 S *	9/2018	Qiu	D27/162
D829,980 S *	10/2018	Qiu	D27/162
D831,269 S *	10/2018	Qiu	D27/162
D831,270 S *	10/2018	Qiu	D27/162
D831,271 S *	10/2018	Qiu	D27/162
D831,272 S *	10/2018	Qiu	D27/162
D832,499 S *	10/2018	Qiu	D27/162
D832,501 S *	10/2018	Qiu	D27/162
D832,504 S *	10/2018	Qiu	D27/163
D833,063 S *	11/2018	Qiu	D27/101
D833,672 S *	11/2018	Qiu	D27/163
D838,898 S *	1/2019	Qiu	D27/167
D838,899 S *	1/2019	Qiu	D27/167
D842,237 S *	3/2019	Qiu	D13/103

(Continued)

Primary Examiner — Austin Murphy

(74) *Attorney, Agent, or Firm* — Novick, Kim & Lee, PLLC; Allen Xue; Hyun Woo Shin

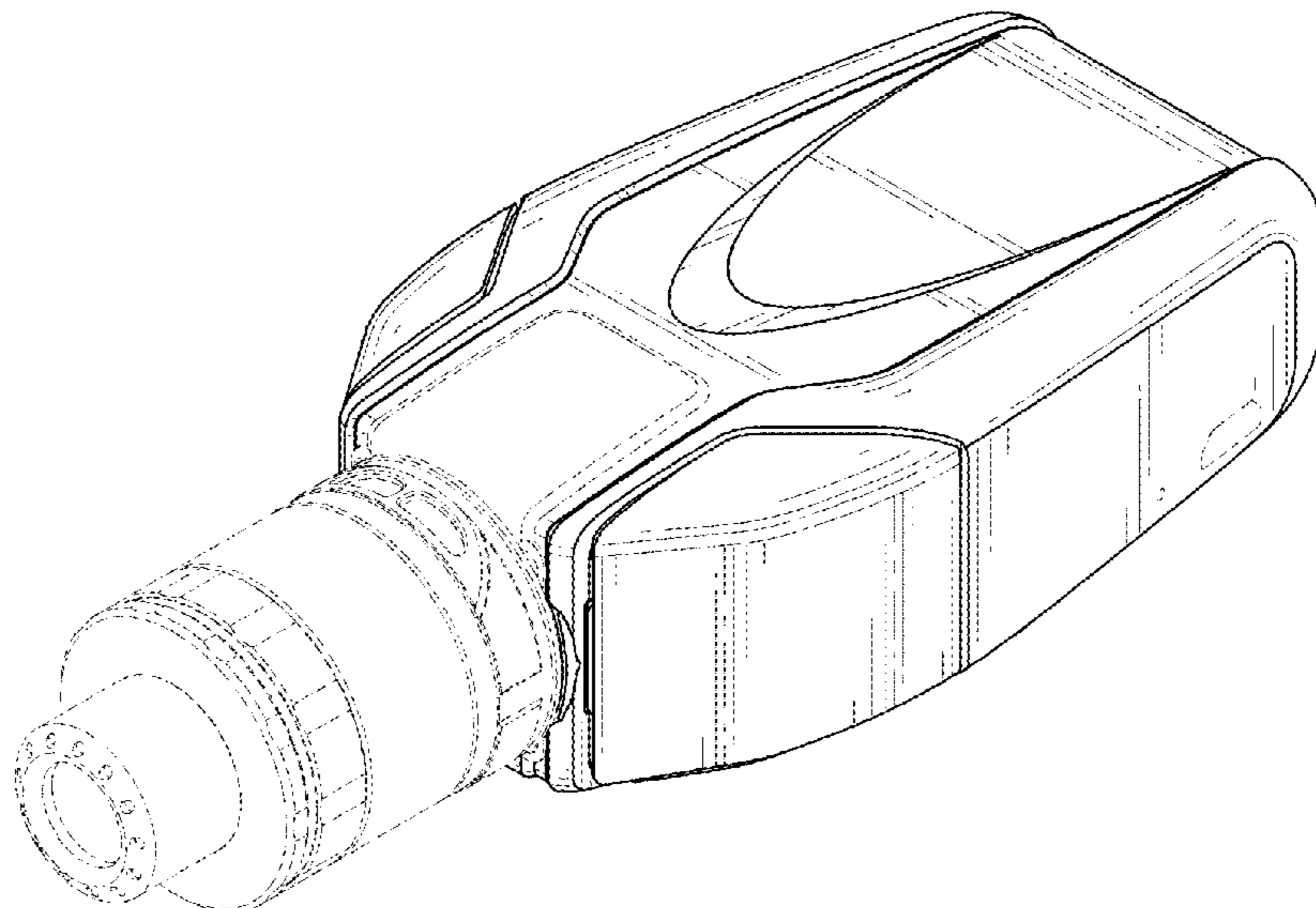
(57) **CLAIM**

I claim the ornamental design for a power supply device, as shown and described.

DESCRIPTION

FIG. 1 is a top, front, right side perspective view of a power supply device, showing my new design;
FIG. 2 is a bottom, rear, left side perspective view thereof;
FIG. 3 is a bottom plan view thereof;
FIG. 4 is a top plan view thereof;
FIG. 5 is a right side elevational view thereof;
FIG. 6 is a left side elevational view thereof;
FIG. 7 is a rear elevational view thereof; and,
FIG. 8 is a front elevation view thereof.
The broken lines in the drawings show portions of the power supply device which form no part of the claimed design.

1 Claim, 8 Drawing Sheets



(56)

References Cited

U.S. PATENT DOCUMENTS

D842,238 S *	3/2019	Qiu	D13/103
D842,243 S *	3/2019	Qiu	D13/108
D843,644 S *	3/2019	Qiu	D27/101
D844,232 S *	3/2019	Qiu	D27/163

* cited by examiner

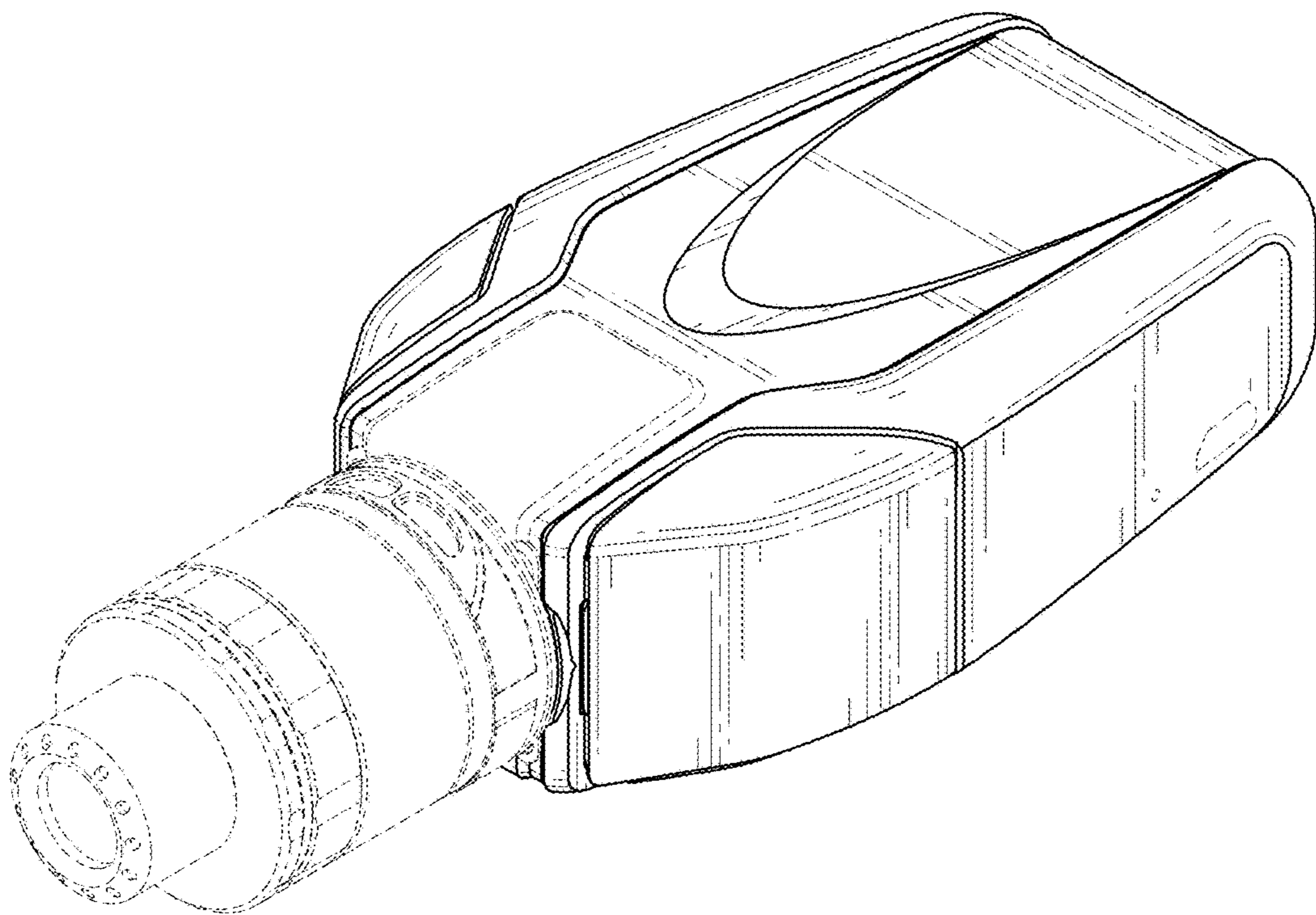


FIG. 1

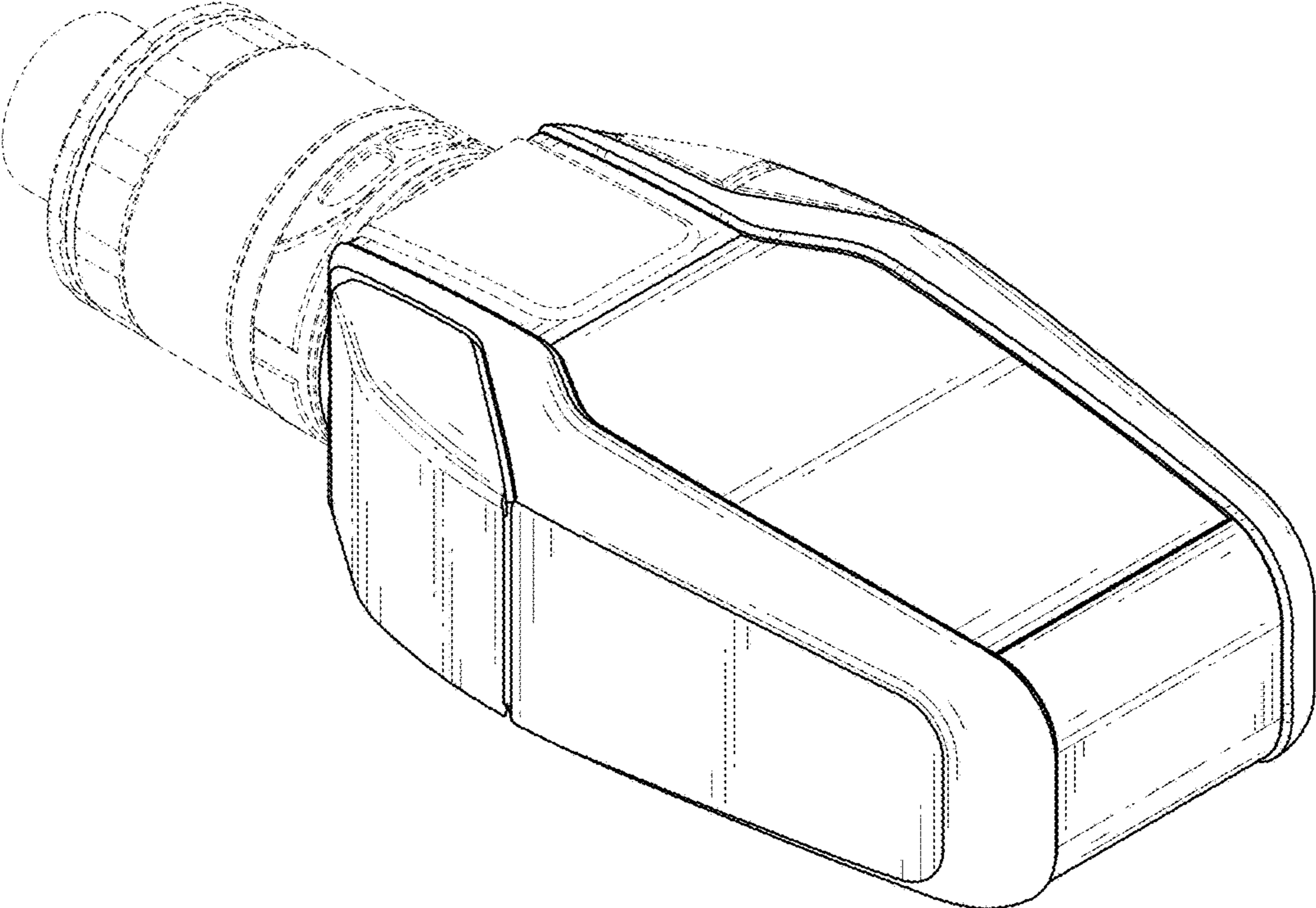


FIG. 2

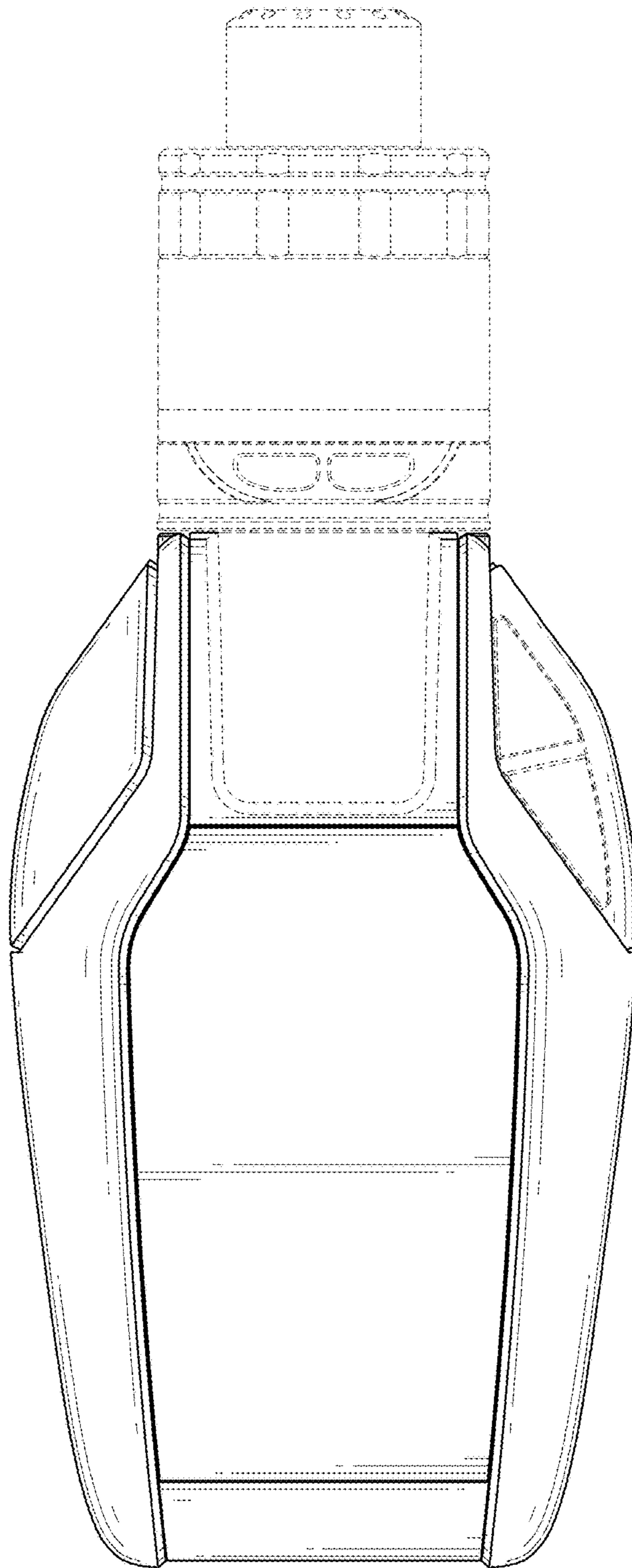


FIG. 3

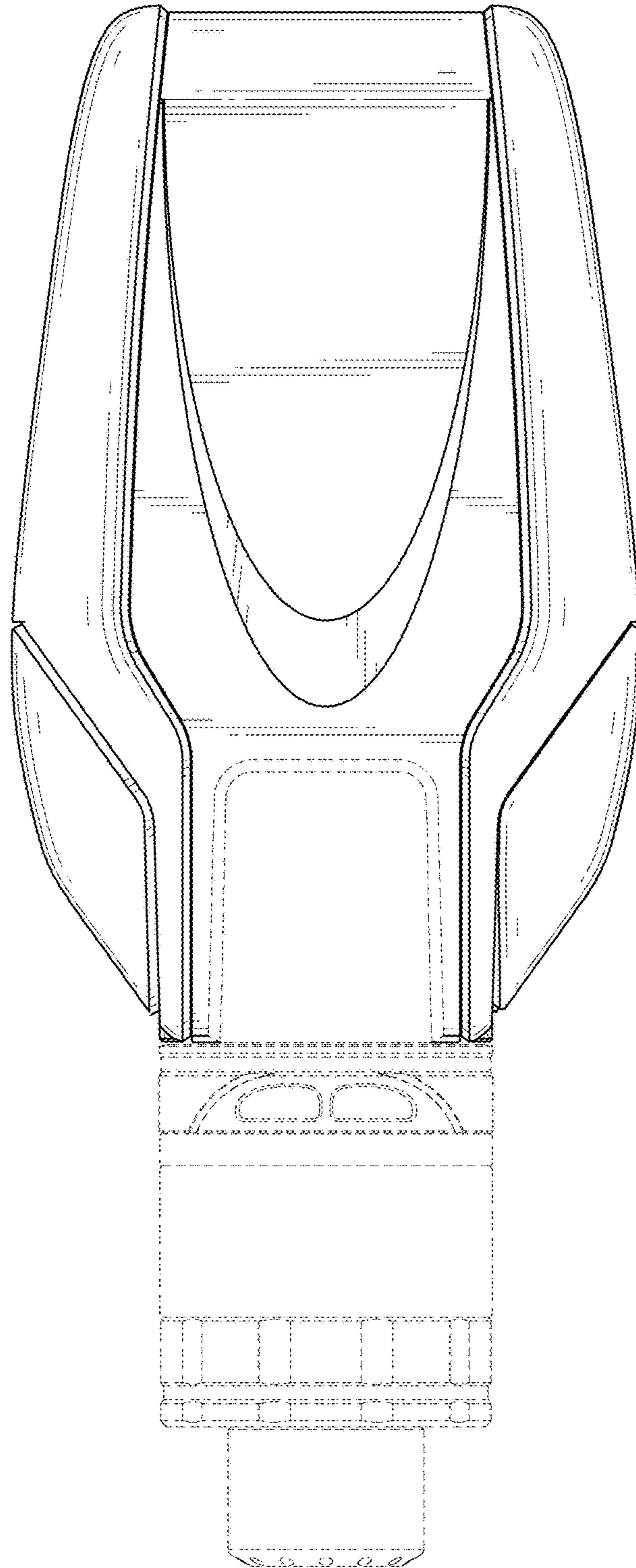


FIG. 4

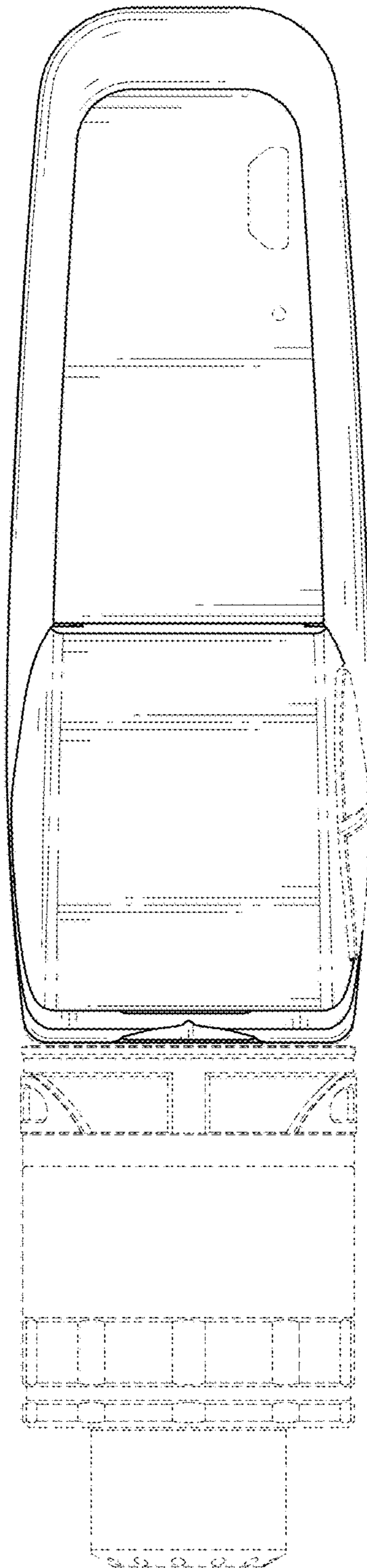


FIG. 5

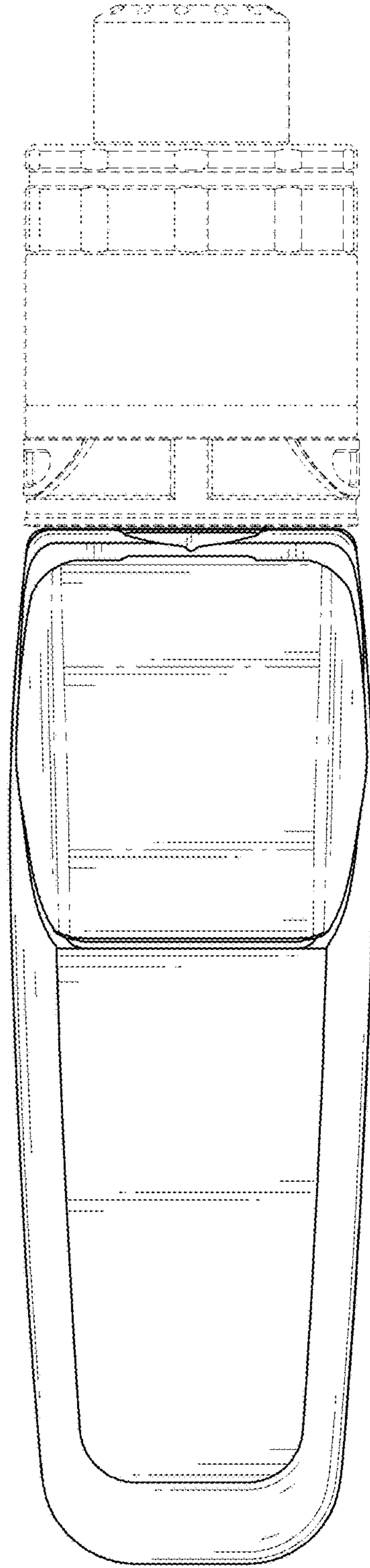


FIG. 6

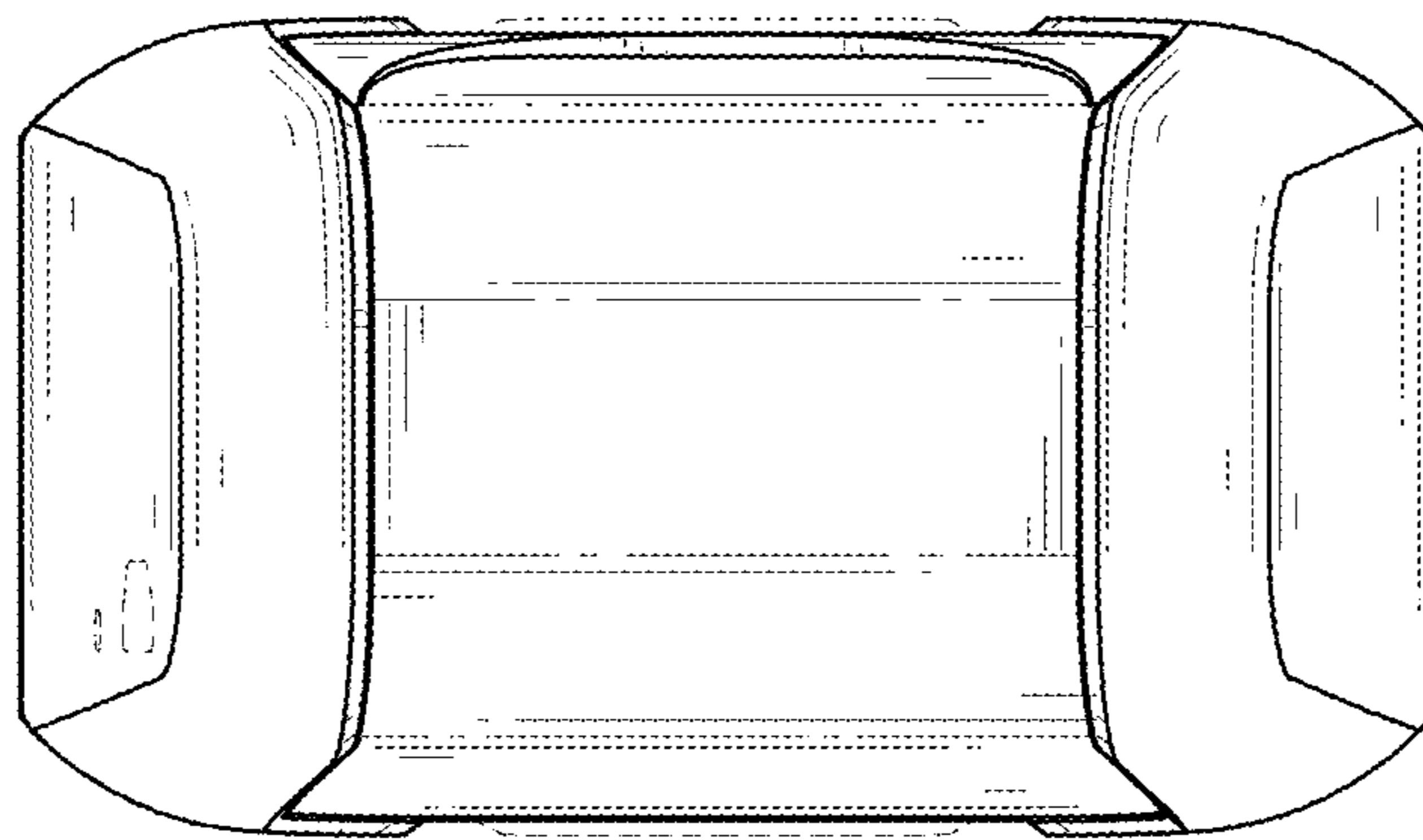


FIG. 7

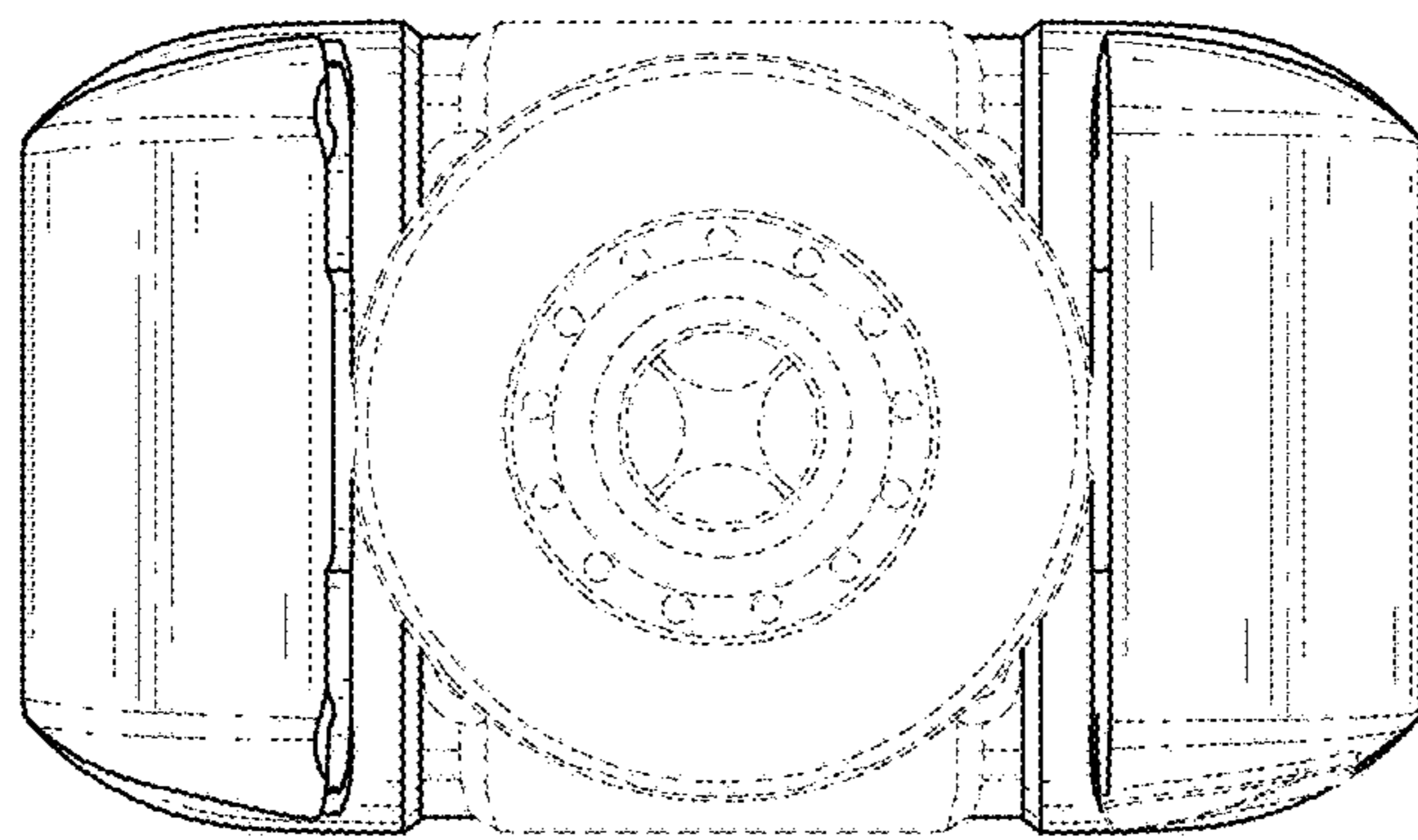


FIG. 8