

US00D864858S

(12) **United States Design Patent** (10) **Patent No.:** **US D864,858 S**  
**Clark** (45) **Date of Patent:** **\*\* Oct. 29, 2019**

- (54) **PORTABLE CHARGING DEVICE**
- (71) Applicant: **Kenneth E. Clark**, Celebration, FL (US)
- (72) Inventor: **Kenneth E. Clark**, Celebration, FL (US)
- (\*\*) Term: **15 Years**
- (21) Appl. No.: **29/610,002**
- (22) Filed: **Jul. 7, 2017**
- (51) **LOC (12) Cl.** ..... **13-02**
- (52) **U.S. Cl.**  
USPC ..... **D13/108**
- (58) **Field of Classification Search**  
USPC ..... D13/107-110, 118-119, 184, 199;  
D14/251, 253, 432, 434  
CPC ..... Y02E 60/12; Y02T 90/14; Y02T 90/122;  
Y02T 90/128; Y02T 90/163; H02J 7/025;  
H02J 7/0042; H02J 7/0044; H02J 7/0045;  
H02J 7/0003; H01F 38/14; H01R  
13/6675; H01M 2/1022; H01M 2/1055;  
H01M 10/44; H01M 10/46; H01M  
10/425; B60L 11/182  
See application file for complete search history.

- (56) **References Cited**  
**U.S. PATENT DOCUMENTS**  
D278,426 S \* 4/1985 Lanci ..... D13/107  
D350,329 S \* 9/1994 Lindeman ..... D13/107  
D397,084 S \* 8/1998 Siddoway ..... D13/107

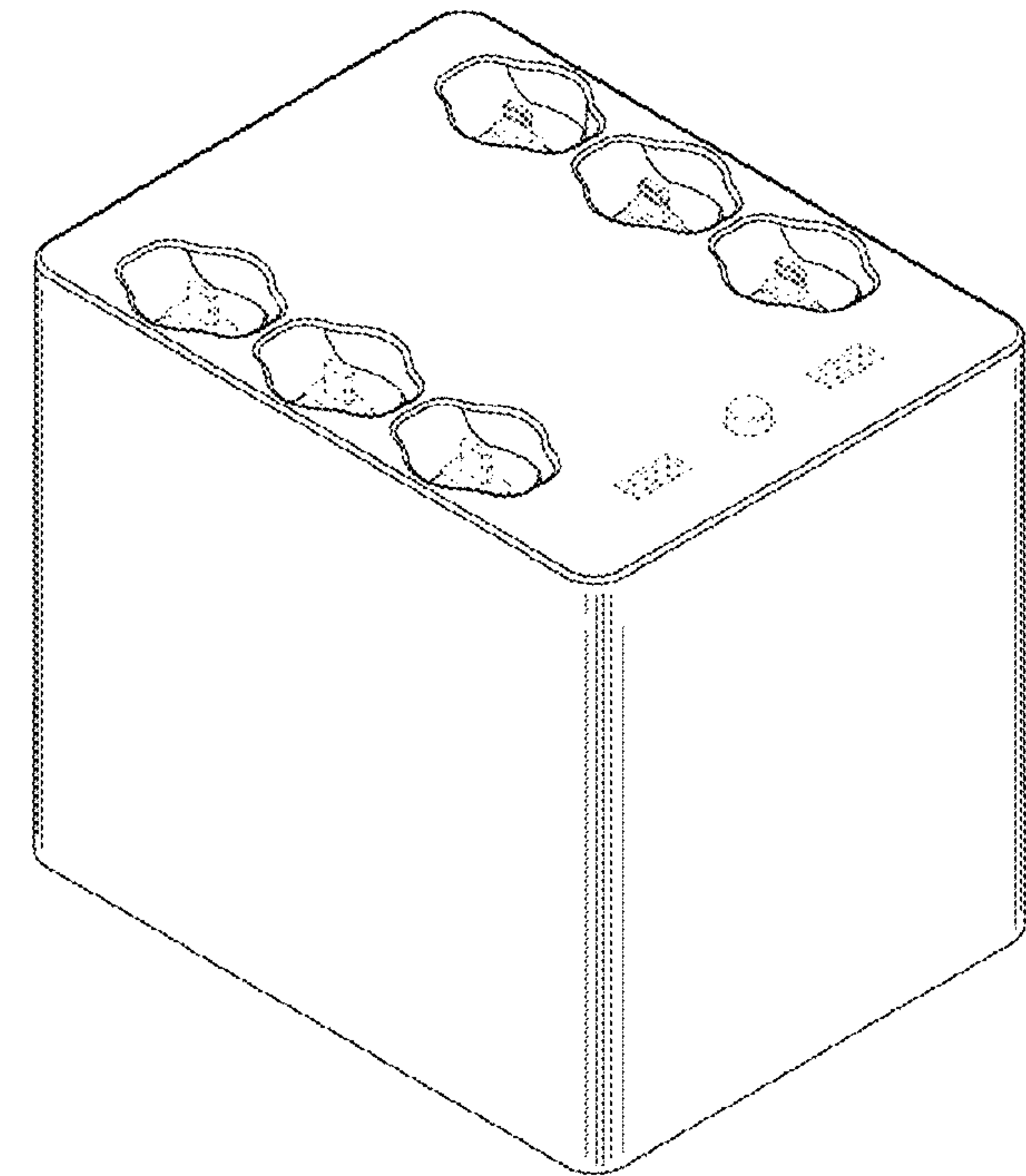
D608,277 S *	1/2010	Cano .....	D13/108
D629,355 S *	12/2010	Bodley .....	D13/108
D710,797 S *	8/2014	Awiszus .....	D13/107
D749,042 S *	2/2016	Gecawicz .....	D13/107
D755,122 S *	5/2016	Gecawicz .....	D13/107
D780,116 S *	2/2017	Bing .....	D13/107
D789,883 S *	6/2017	Luke .....	D13/107
D789,884 S *	6/2017	Bourgeois .....	D13/107
D799,423 S *	10/2017	Eliyahu .....	D13/108
D813,806 S *	3/2018	Ito .....	D13/108
D820,782 S *	6/2018	Wang .....	D13/107
D820,783 S *	6/2018	Gelder .....	D13/107

\* cited by examiner  
*Primary Examiner* — Rosemary K Tarcza

(57) **CLAIM**  
The ornamental design for a portable charging device, as shown and described.

**DESCRIPTION**  
FIG. 1 is a front-side perspective view showing a portable charging device in accordance with the present invention; FIG. 2 is a rear-side perspective view thereof; FIG. 3 is a top view thereof; FIG. 4 is a bottom view showing a portable charging device in accordance with the present invention; FIG. 5 is a side view thereof; and, FIG. 6 is a front-side perspective view showing a portable charging device in accordance with a second embodiment. The broken lines shown in the drawings depict environmental structure and portions of the portable charging device which form no part of the claimed design. The device is not limited to the scale depicted herein.

**1 Claim, 6 Drawing Sheets**



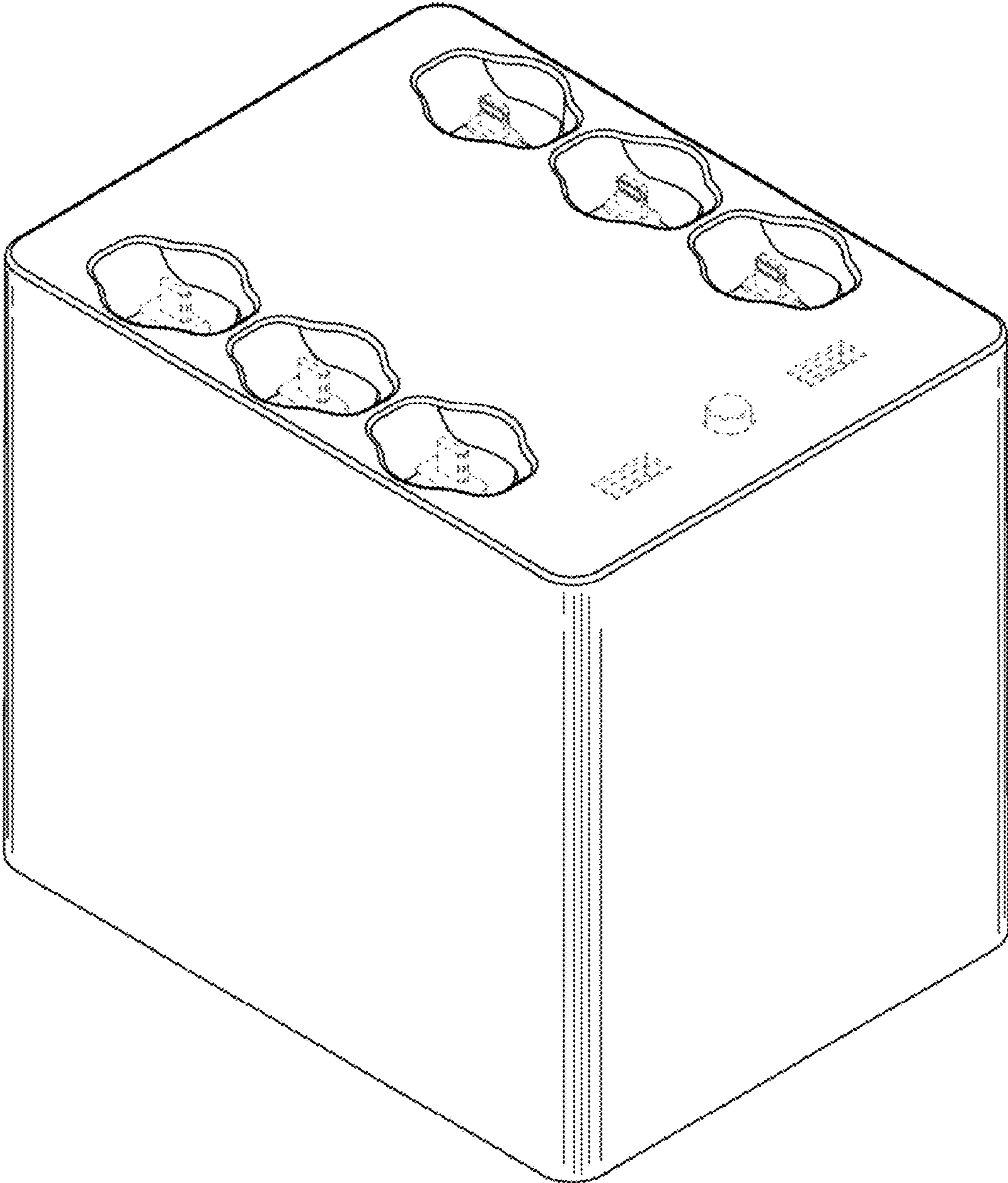


FIG. 1

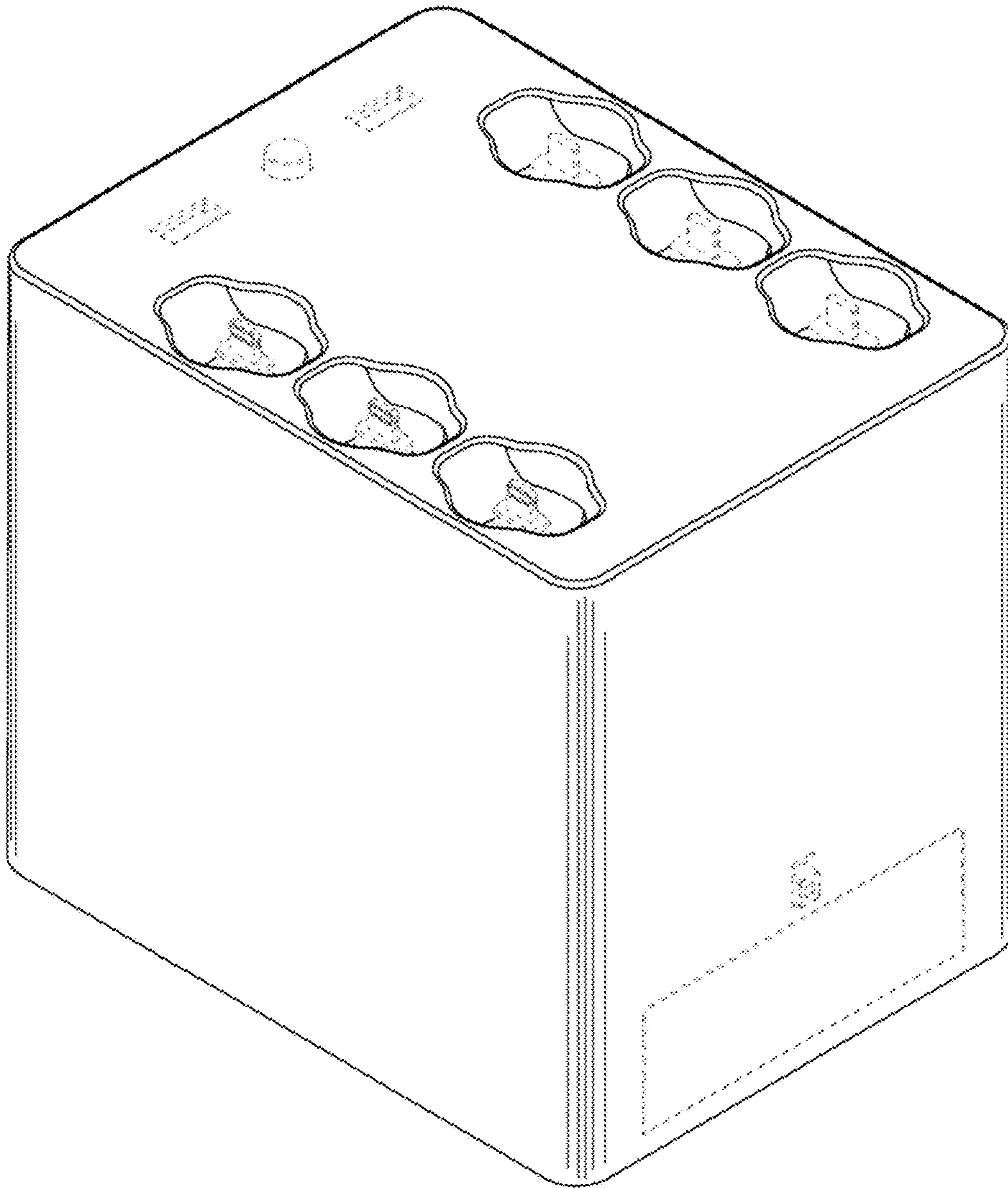


FIG. 2

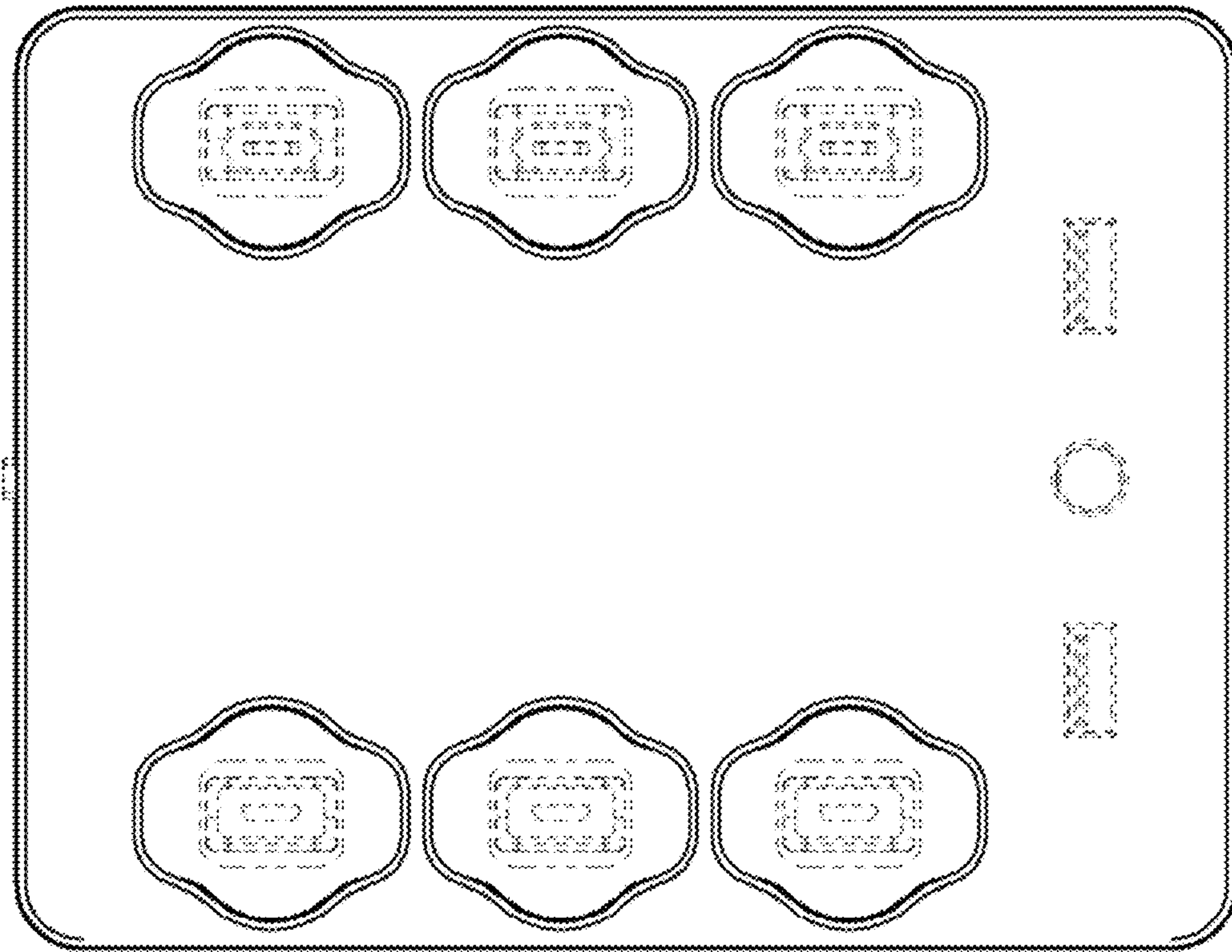


FIG. 3



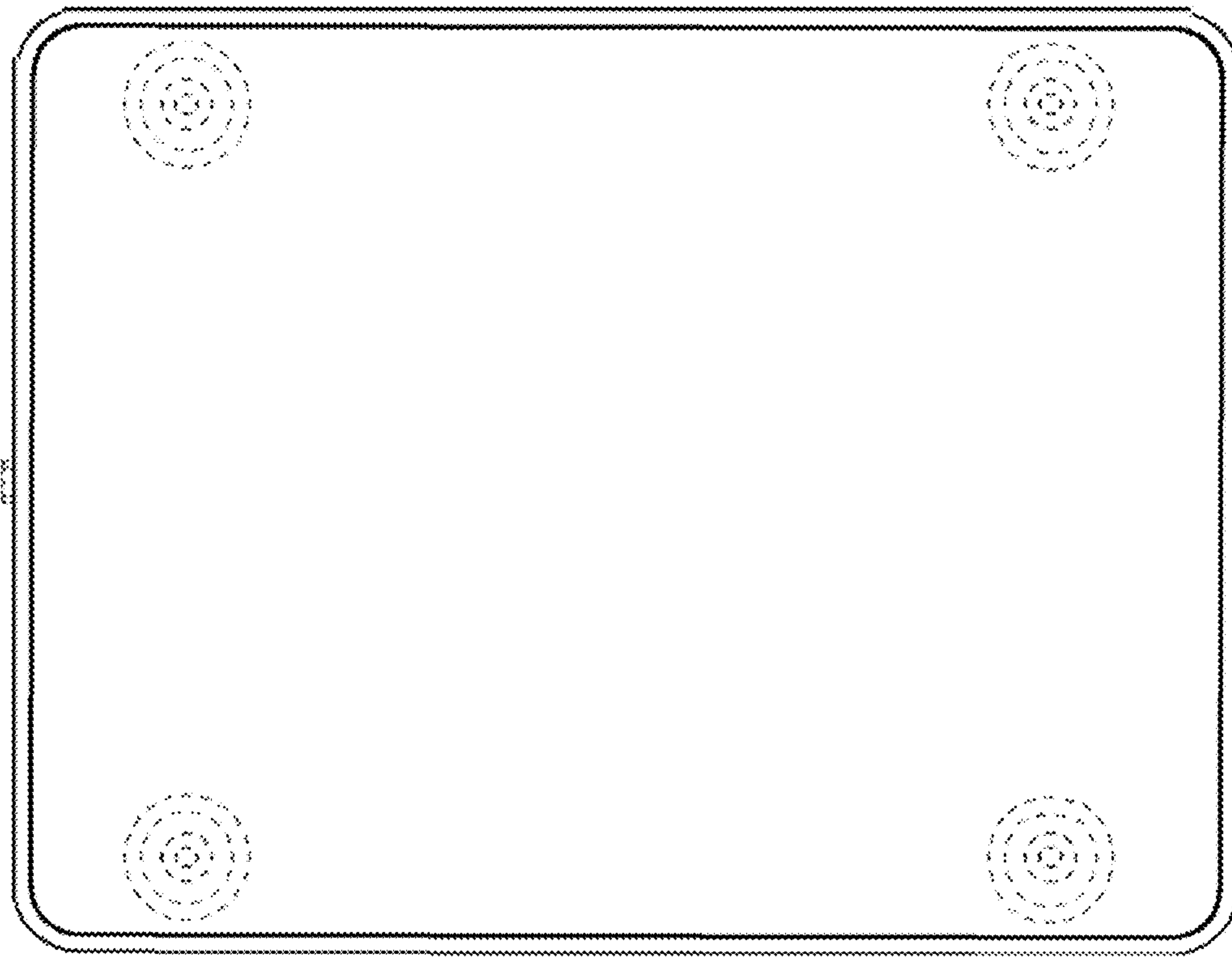


FIG.4

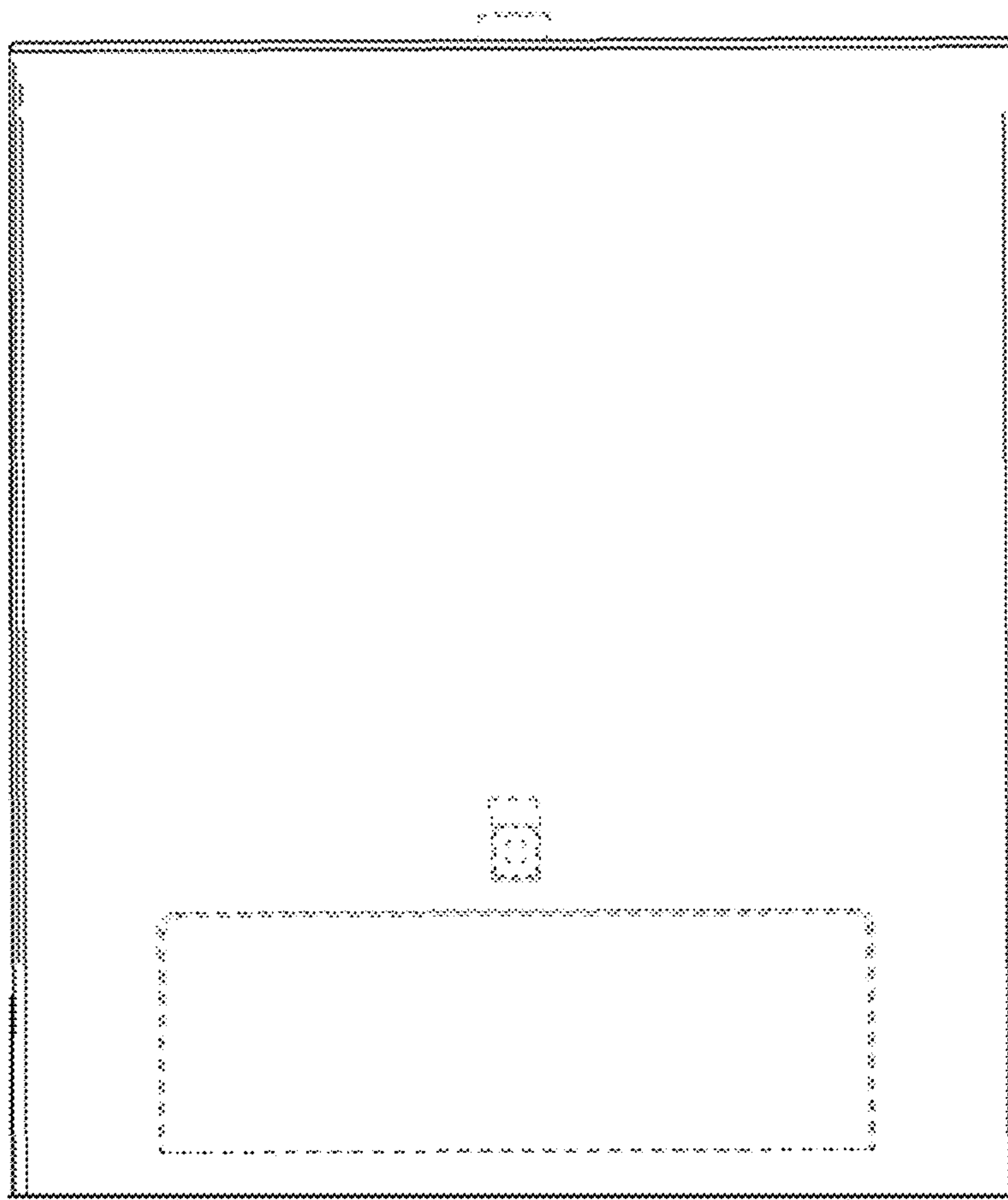


FIG. 5

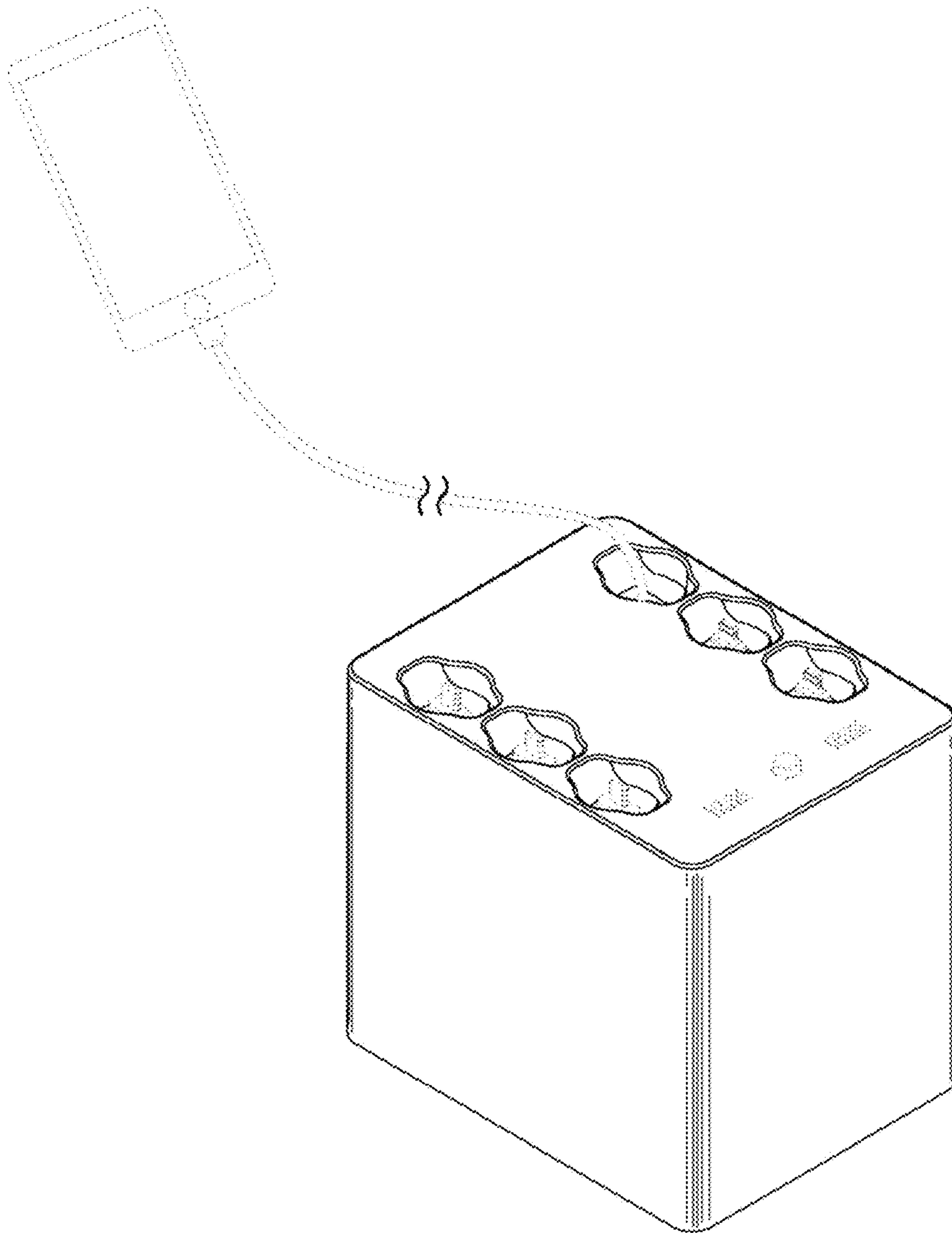


FIG. 6