



US00D864855S

(12) **United States Design Patent**  
**Sinai et al.**

(10) **Patent No.:** **US D864,855 S**

(45) **Date of Patent:** **\*\* Oct. 29, 2019**

(54) **SOLAR PANEL MOUNTING BRACKET**

(71) Applicants: **Bob Sinai**, Pacific Palisades, CA (US);  
**Cael Schwartzman**, Long Beach, CA (US); **Ahmet Akman**, Beverly Hills, CA (US)

(72) Inventors: **Bob Sinai**, Pacific Palisades, CA (US);  
**Cael Schwartzman**, Long Beach, CA (US); **Ahmet Akman**, Beverly Hills, CA (US)

(73) Assignee: **Orion Solar Racking, Inc**, Commerce, CA (US)

(\*\*) Term: **15 Years**

(21) Appl. No.: **29/577,444**

(22) Filed: **Sep. 13, 2016**

(51) **LOC (12) Cl.** ..... **13-02**

(52) **U.S. Cl.**  
USPC ..... **D13/102**

(58) **Field of Classification Search**  
USPC ..... D13/102, 118, 184, 199; D8/355, 356,  
D8/354; D25/119, 123, 124, 125  
CPC .. F16M 13/02; H01R 4/42; H02B 1/46; H02S  
30/10  
See application file for complete search history.

(56) **References Cited**

U.S. PATENT DOCUMENTS

D611,801 S *	3/2010	Chustak	.....	D8/355
D632,159 S *	2/2011	Charette	.....	D8/354
D750,468 S *	3/2016	Bird	.....	D8/354
D754,405 S *	4/2016	Herde	.....	D30/121
D825,317 S *	8/2018	Klein	.....	D8/354

D831,466 S *	10/2018	Lang	.....	D8/349
D843,932 S *	3/2019	Sinai	.....	D13/102
2004/0099780 A1 *	5/2004	McGee	.....	E03F 5/02 248/289.11
2012/0288267 A1 *	11/2012	Cuddeback	.....	F16M 11/10 396/428
2014/0202525 A1 *	7/2014	Janssens	.....	F16B 2/20 136/251
2017/0346440 A1 *	11/2017	Lester	.....	H02S 30/10
2018/0023756 A1 *	1/2018	Barnes	.....	F16M 13/02 248/292.11
2018/0131320 A1 *	5/2018	Hood	.....	H02S 40/34

\* cited by examiner

*Primary Examiner* — Eliza Z Bennett-Hattan

(74) *Attorney, Agent, or Firm* — Damian Wasserbauer, Esq.; Wasserbauer Law LLC

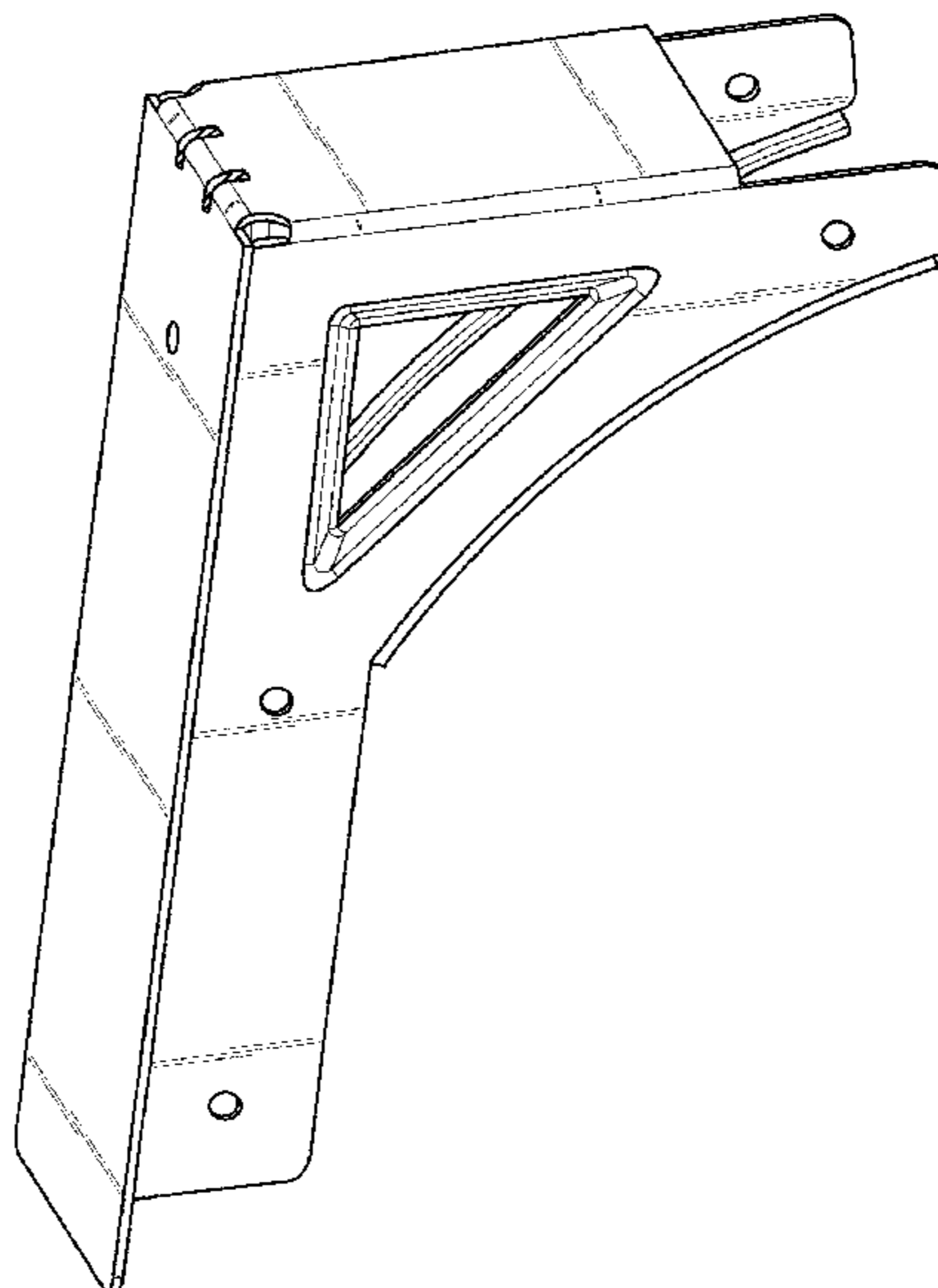
(57) **CLAIM**

The ornamental design for a solar panel mounting bracket of the present invention, as shown and described.

**DESCRIPTION**

FIG. 1 is a perspective view illustrating the solar panel mounting bracket in accordance with the present invention; FIG. 2 is a front view illustrating the solar panel mounting bracket of the present invention; FIG. 3 is a back view illustrating the solar panel mounting bracket of the present invention; FIG. 4 is a side view illustrating the solar panel mounting bracket of the present invention, the other side is identical or a mirror image; FIG. 5 is a top view illustrating the solar panel mounting bracket of the present invention; and, FIG. 6 is a bottom view illustrating the solar panel mounting bracket of the present invention.

**1 Claim, 6 Drawing Sheets**



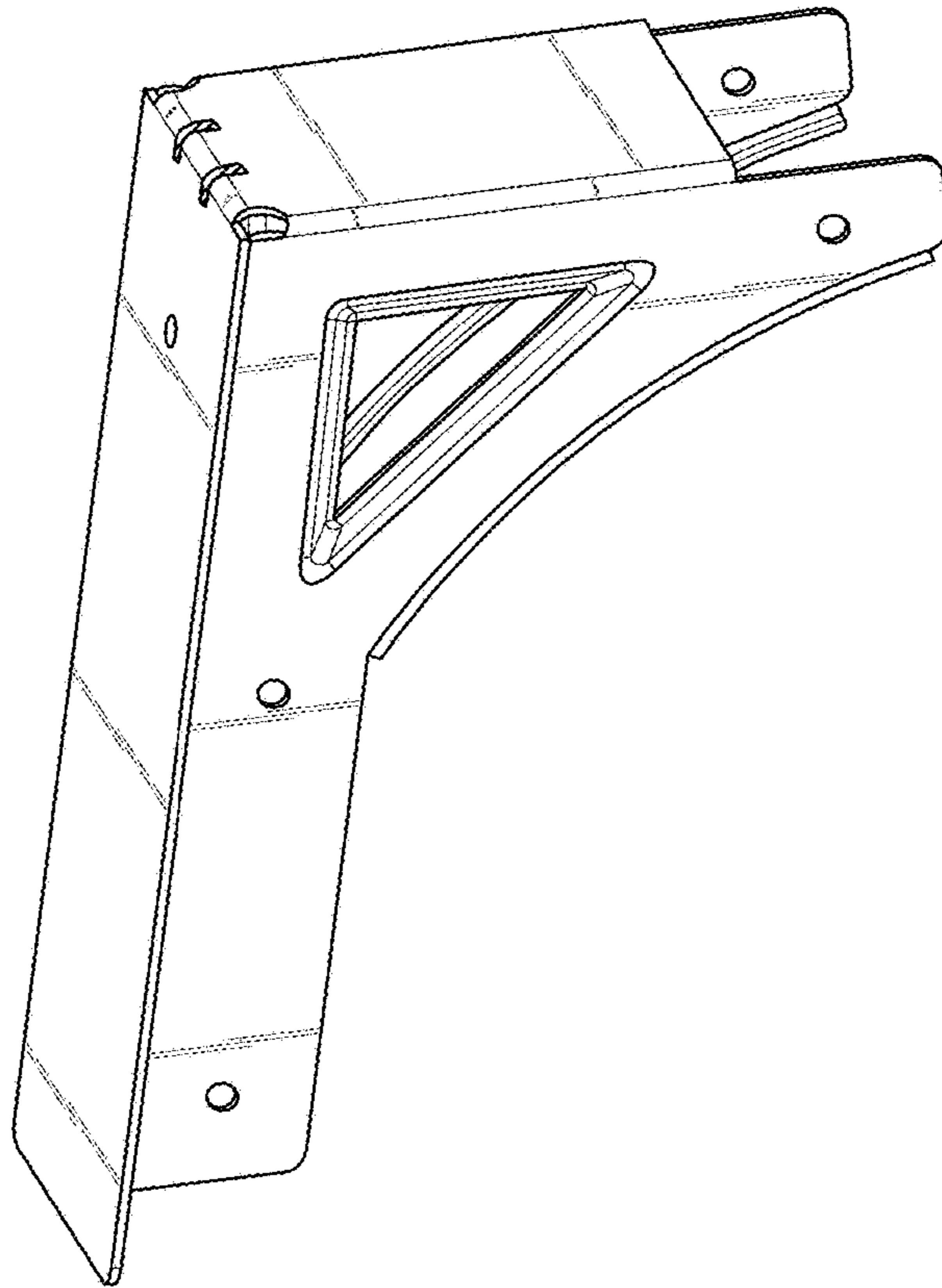


FIG. 1

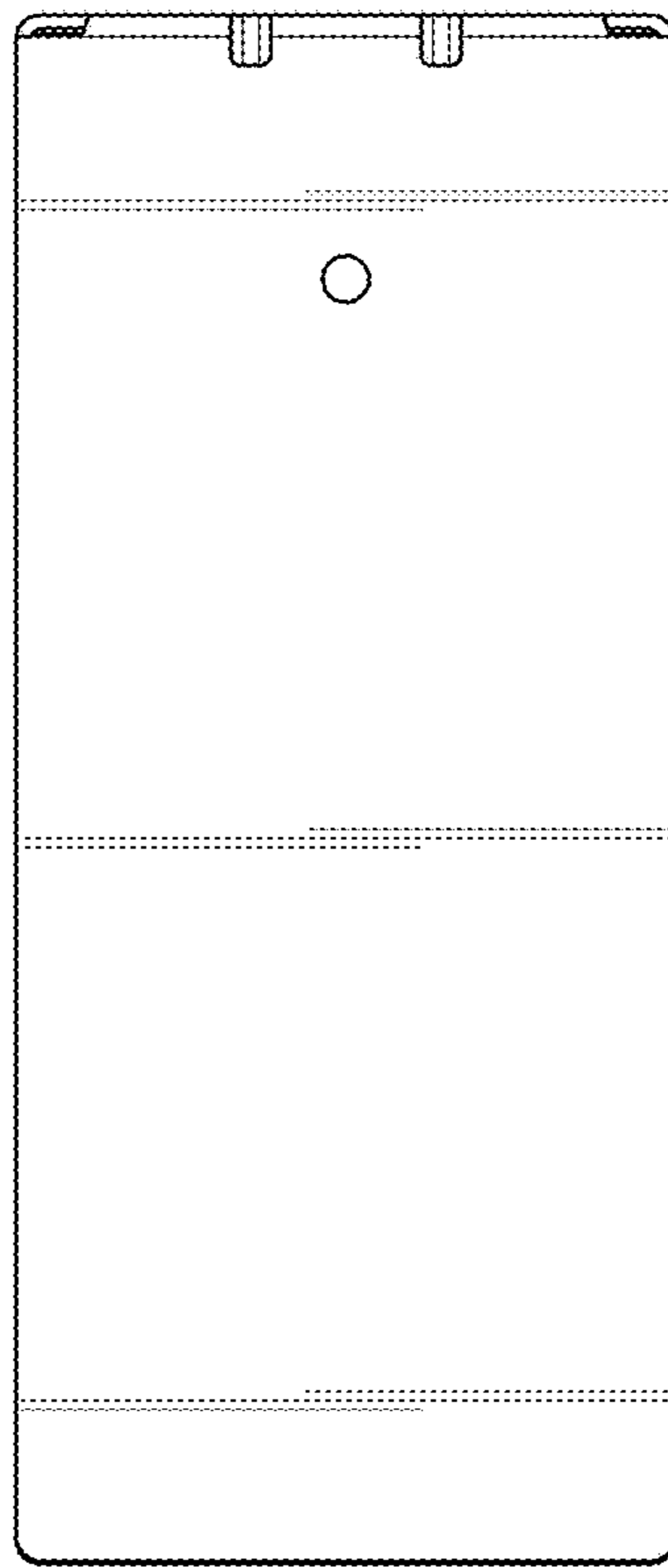


FIG. 2

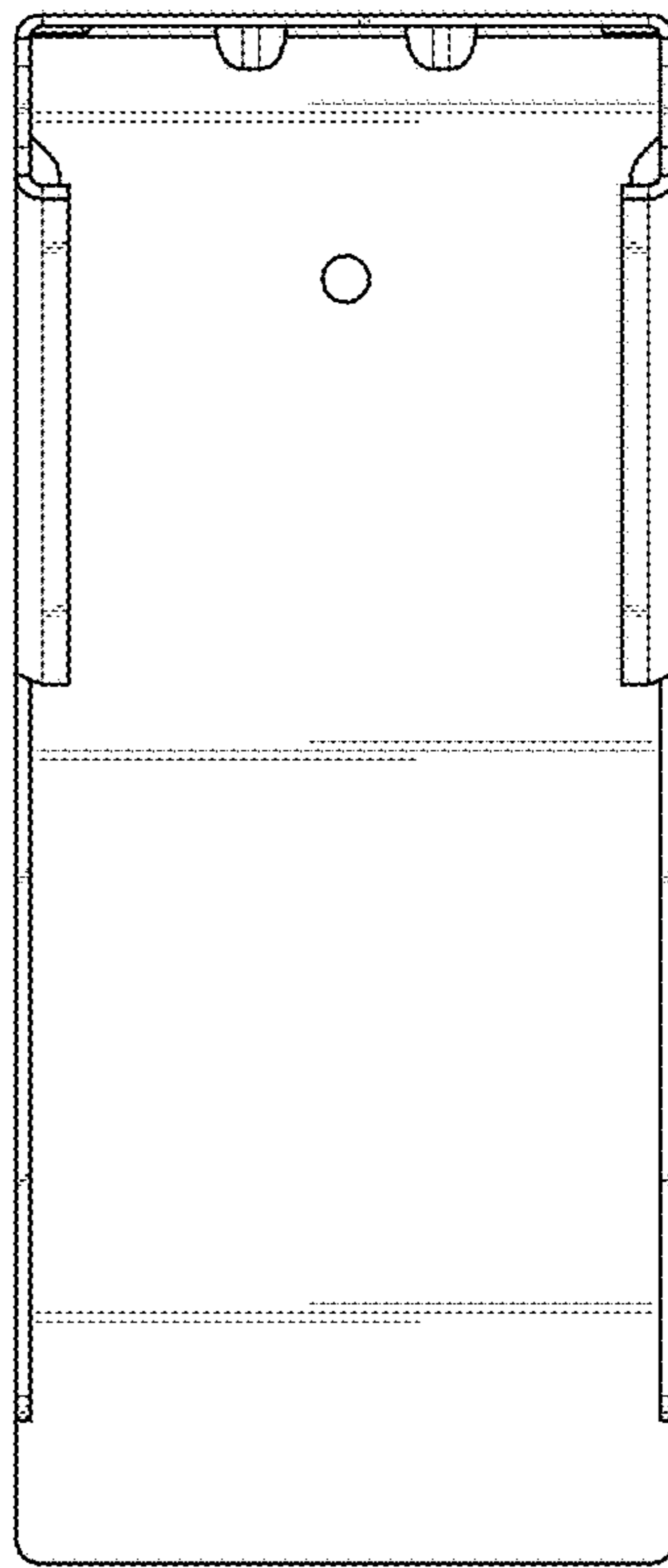


FIG. 3

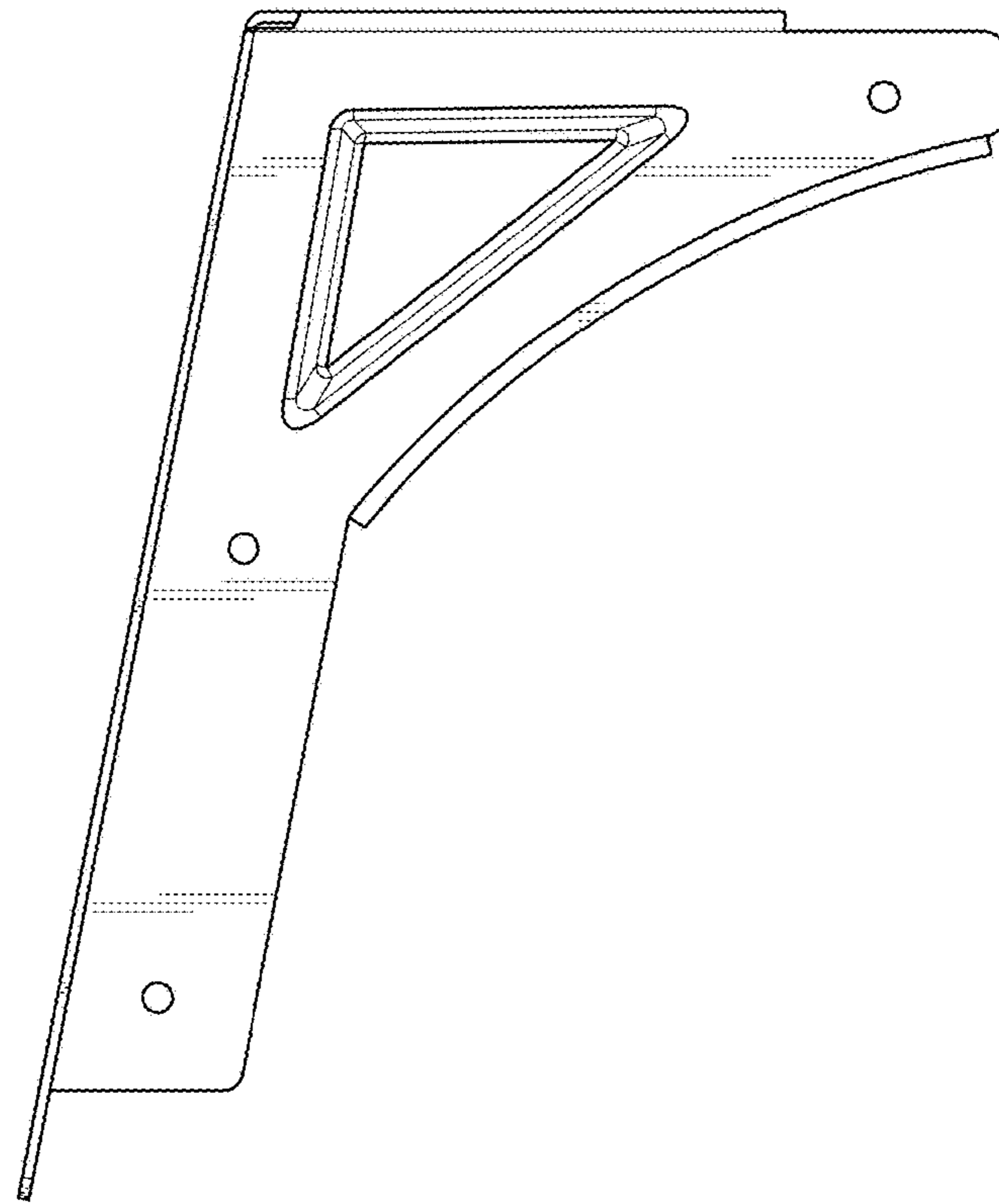


FIG. 4

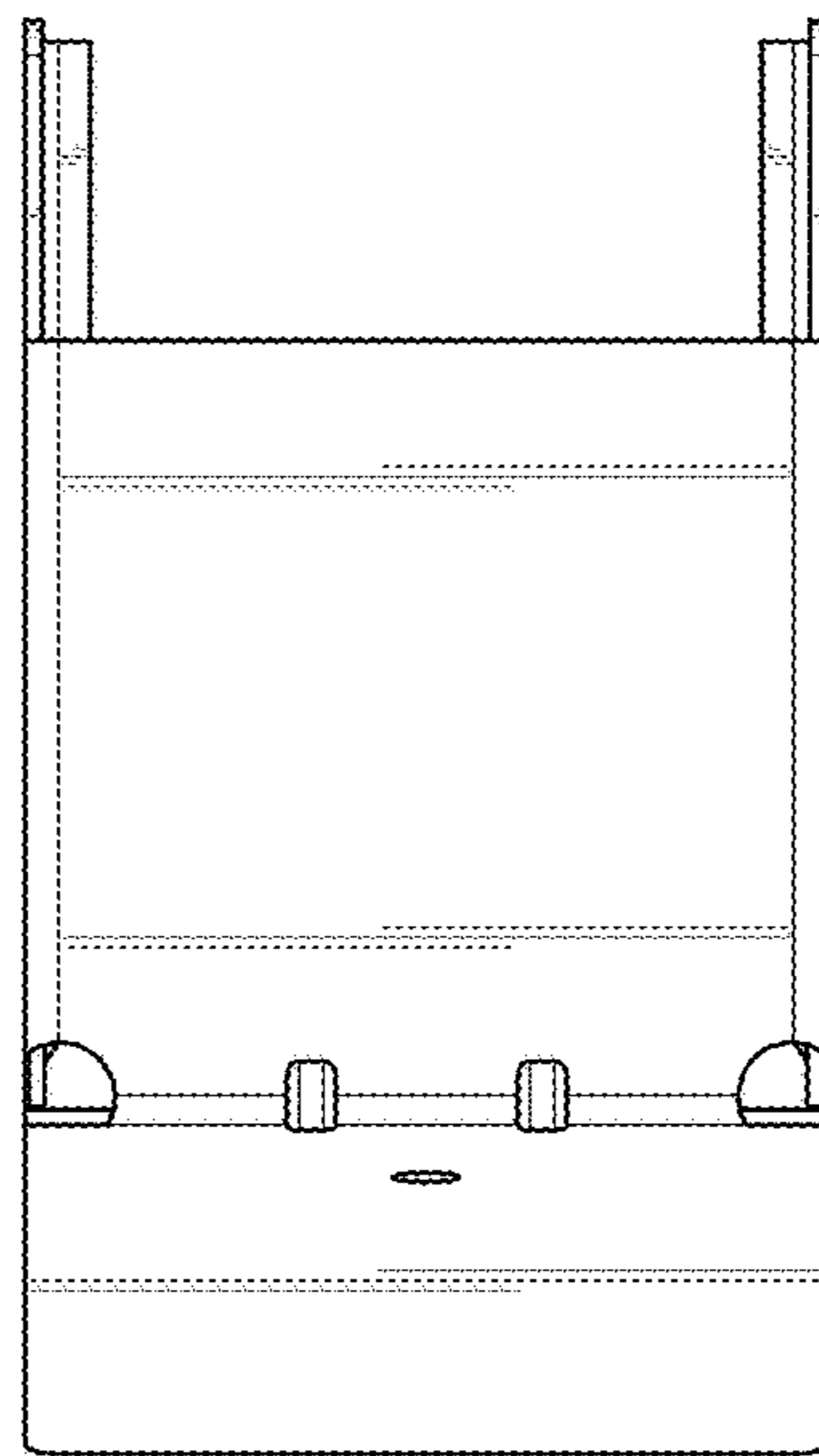


FIG. 5

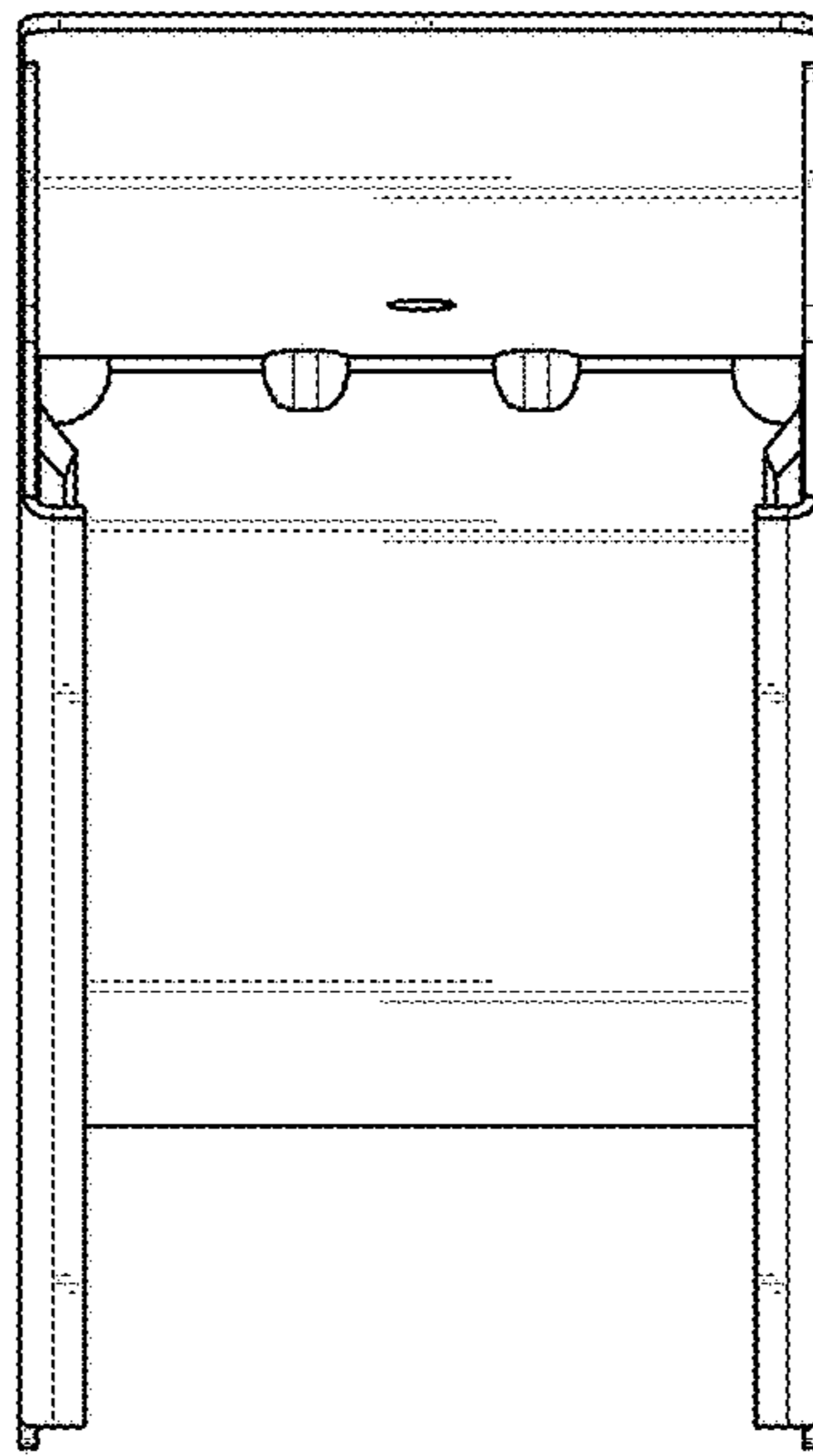


FIG. 6