

US00D864854S

(12) **United States Design Patent**
Sinai et al.

(10) **Patent No.:** **US D864,854 S**
(45) **Date of Patent:** **** Oct. 29, 2019**

(54) **SOLAR PANEL MOUNTING BRACKET**

(71) Applicant: **Orion Solar Racking, Inc.**, Commerce, CA (US)

(72) Inventors: **Bob Sinai**, Pacific Palisades, CA (US); **Cael Schwartzman**, Long Beach, CA (US); **Ahmet Akman**, Beverly Hills, CA (US)

(73) Assignee: **ORION SOLAR RACKING, INC.**, Commerce, CA (US)

(**) Term: **15 Years**

(21) Appl. No.: **29/577,432**

(22) Filed: **Sep. 13, 2016**

(51) **LOC (12) Cl.** **13-02**

(52) **U.S. Cl.**
USPC **D13/102**

(58) **Field of Classification Search**
USPC D13/102, 118, 184, 199; D8/355, 356, D8/354; D25/119, 123, 124, 125
CPC .. F16M 13/02; H01R 4/42; H02B 1/46; H02S 30/10
See application file for complete search history.

(56) **References Cited**

U.S. PATENT DOCUMENTS

D611,801 S *	3/2010	Chustak	D8/355
D632,159 S *	2/2011	Charette	D8/354
D750,468 S *	3/2016	Bird	D8/354
D754,405 S *	4/2016	Herde	D30/121
D825,317 S *	8/2018	Klein	D8/354
D831,466 S *	10/2018	Lang	D8/349
D843,932 S *	3/2019	Sinai	D13/102

2004/0099780 A1 *	5/2004	McGee	E03F 5/02 248/289.11
2012/0288267 A1 *	11/2012	Cuddeback	F16M 11/10 396/428
2014/0202525 A1 *	7/2014	Janssens	F16B 2/20 136/251
2017/0346440 A1 *	11/2017	Lester	H02S 30/10
2018/0023756 A1 *	1/2018	Barnes	F16M 13/02 248/292.11
2018/0131320 A1 *	5/2018	Hood	H02S 40/34

* cited by examiner

Primary Examiner — Eliza Z Bennett-Hattan

(74) *Attorney, Agent, or Firm* — Damian Wasserbauer, Esq.; Wasserbauer Law LLC

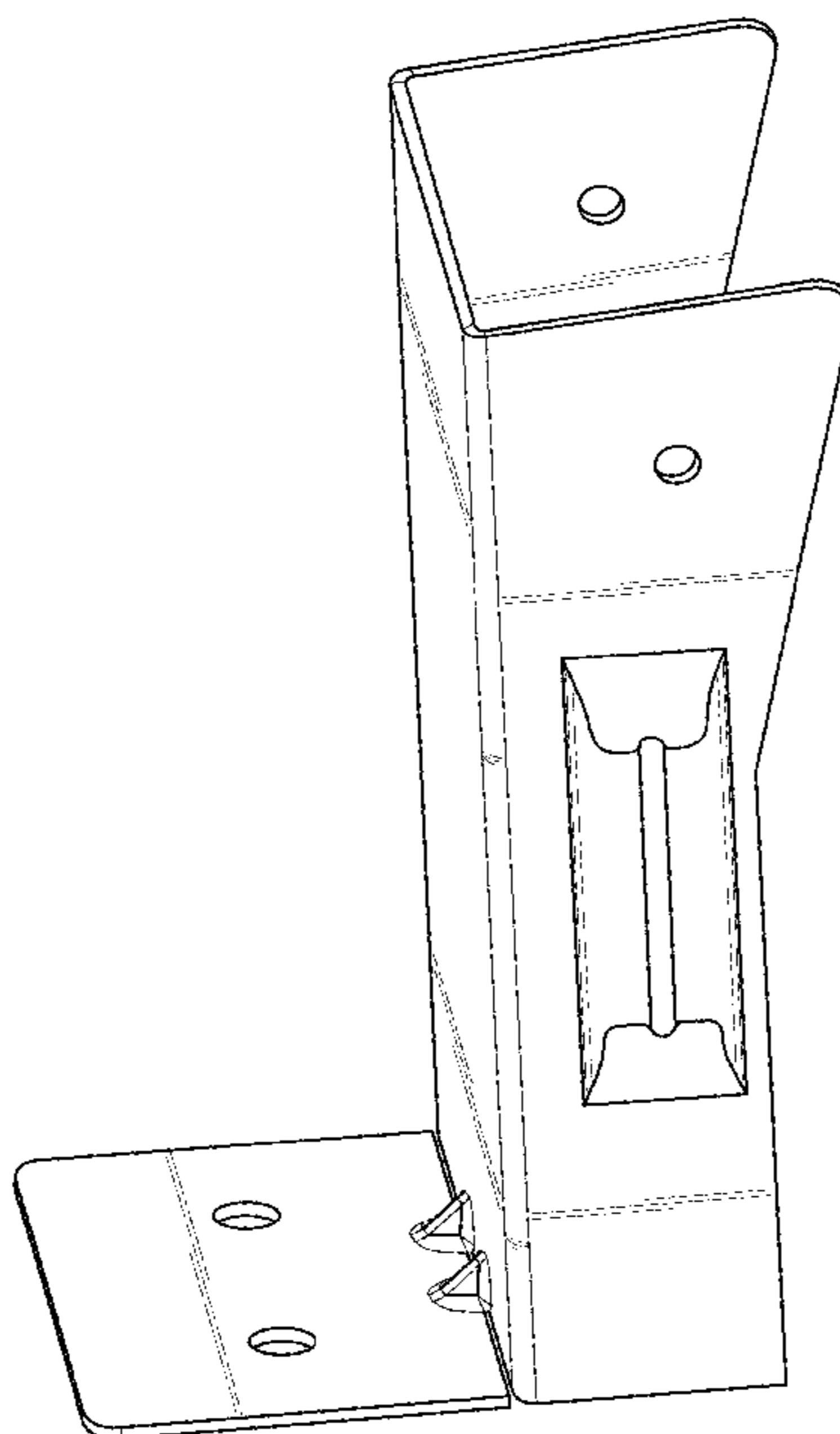
(57) **CLAIM**

The ornamental design for a solar panel mounting bracket of the present invention, as shown and described.

DESCRIPTION

FIG. 1 is a perspective view illustrating the solar panel mounting bracket in accordance with of the present invention;
FIG. 2 is a front view illustrating the solar panel mounting bracket of the present invention;
FIG. 3 is a back view illustrating the solar panel mounting bracket of the present invention;
FIG. 4 is a side view illustrating the solar panel mounting bracket of the present invention, the other side is identical or a mirror image;
FIG. 5 is a top view illustrating the solar panel mounting bracket of the present invention; and,
FIG. 6 is a bottom view illustrating the solar panel mounting bracket of the present invention.

1 Claim, 6 Drawing Sheets



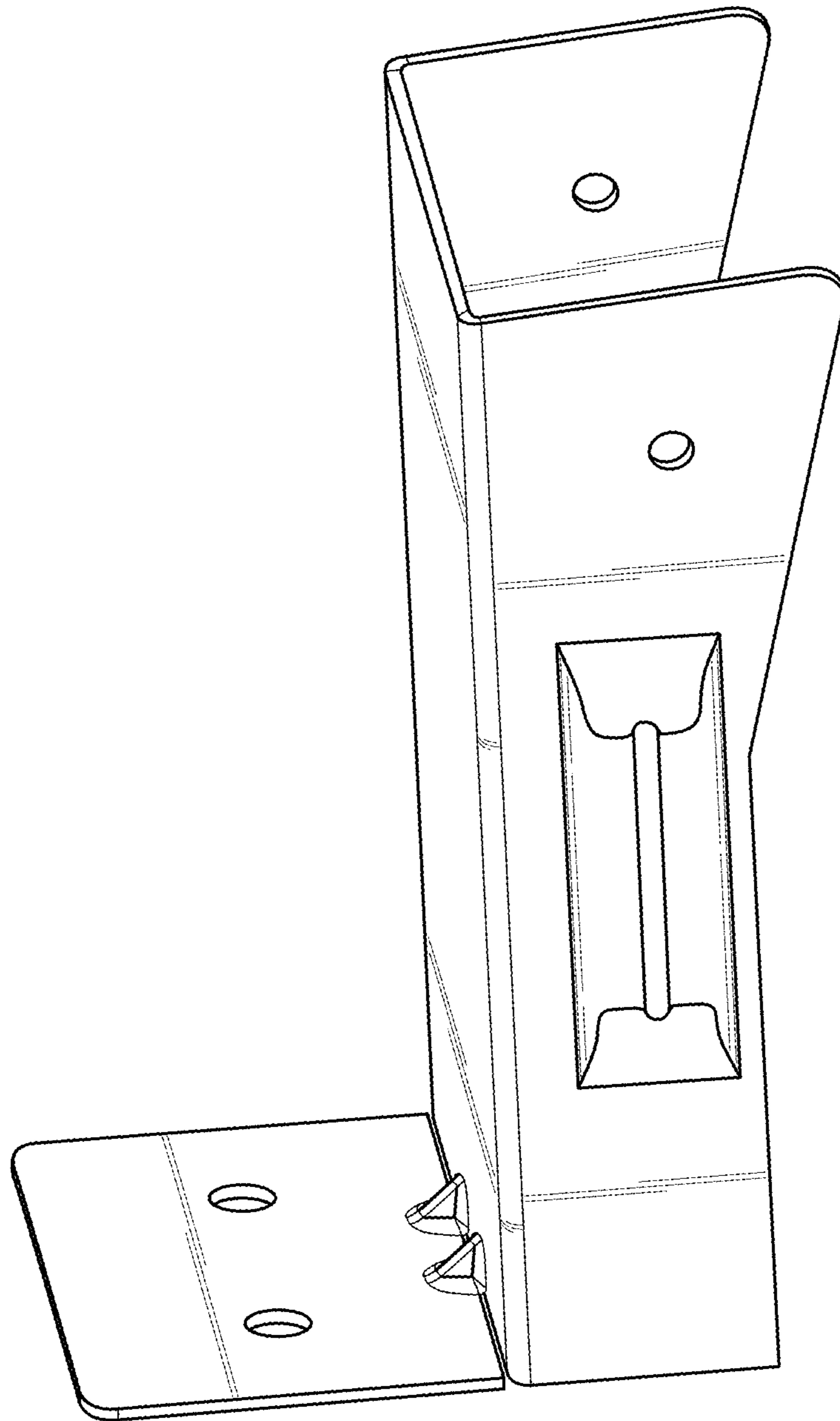


FIG. 1

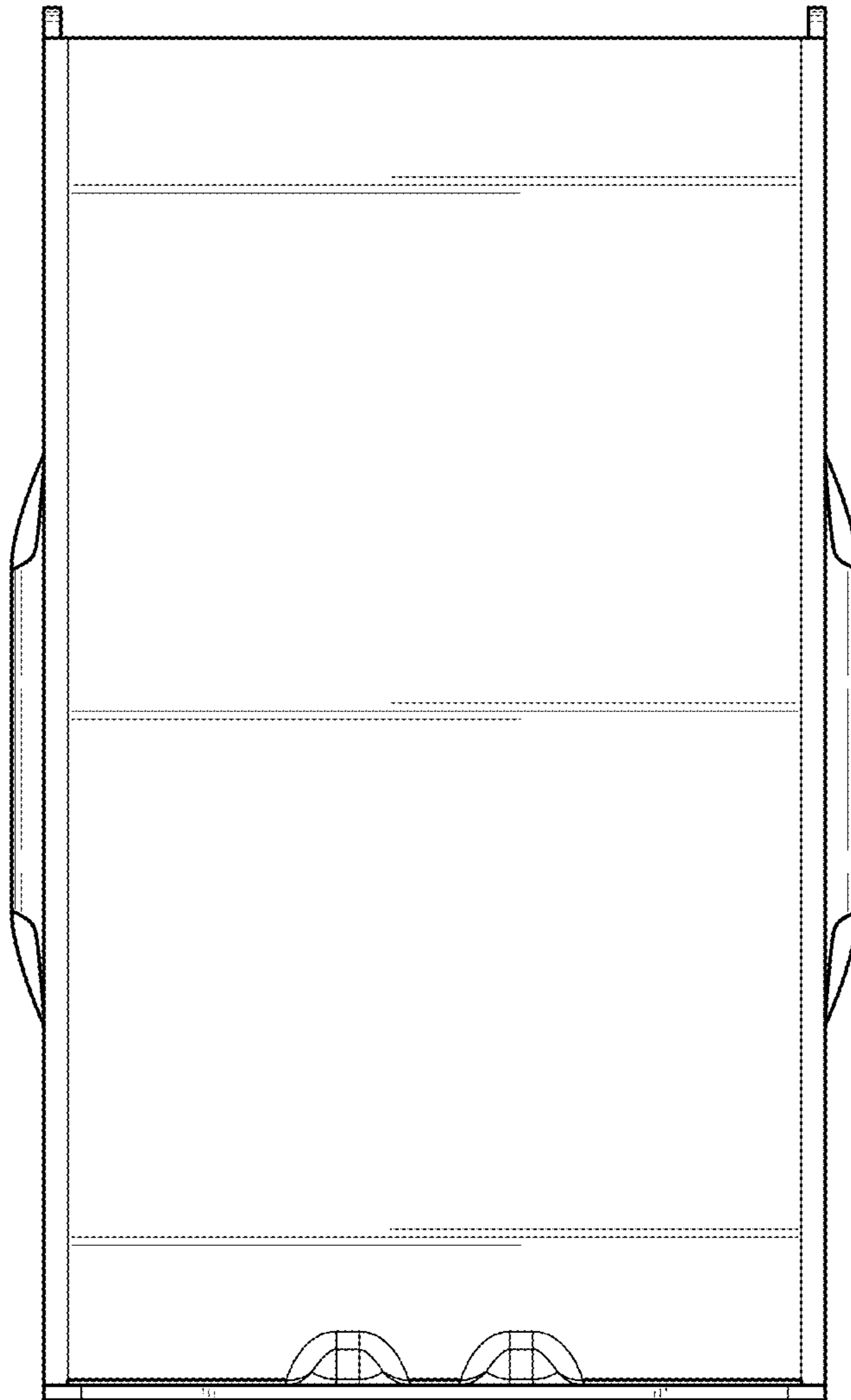


FIG. 2

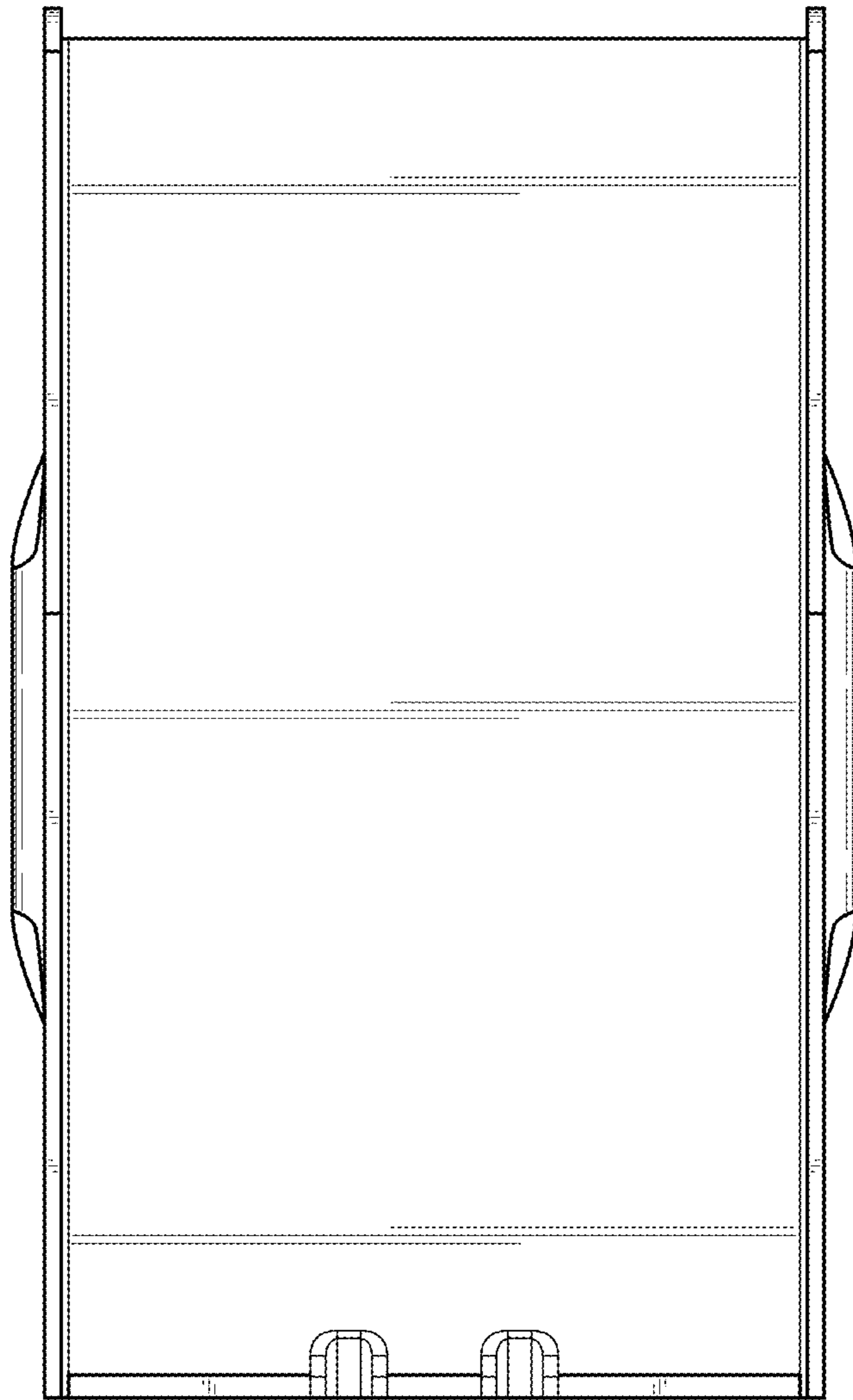


FIG. 3

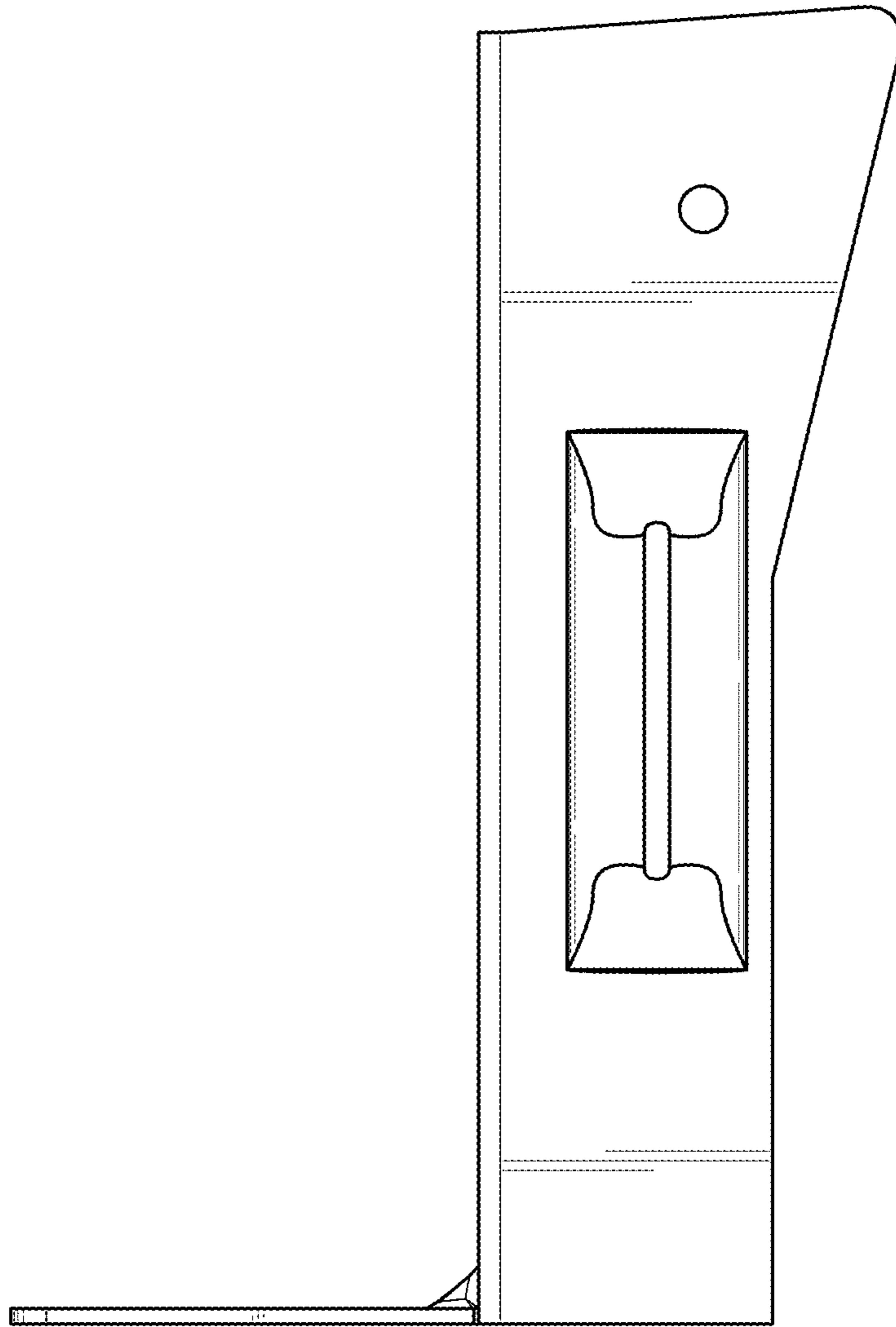


FIG. 4

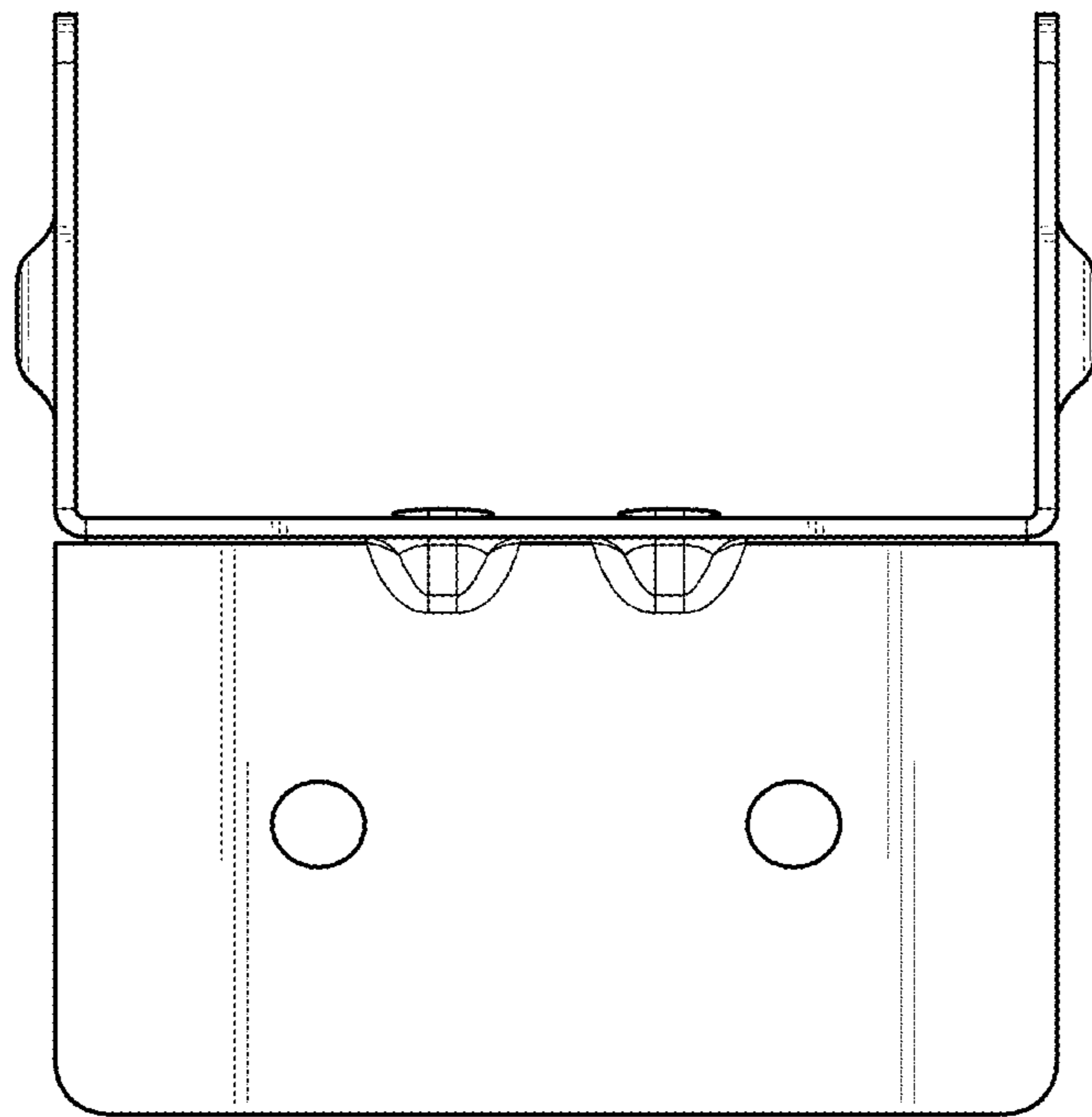


FIG. 5

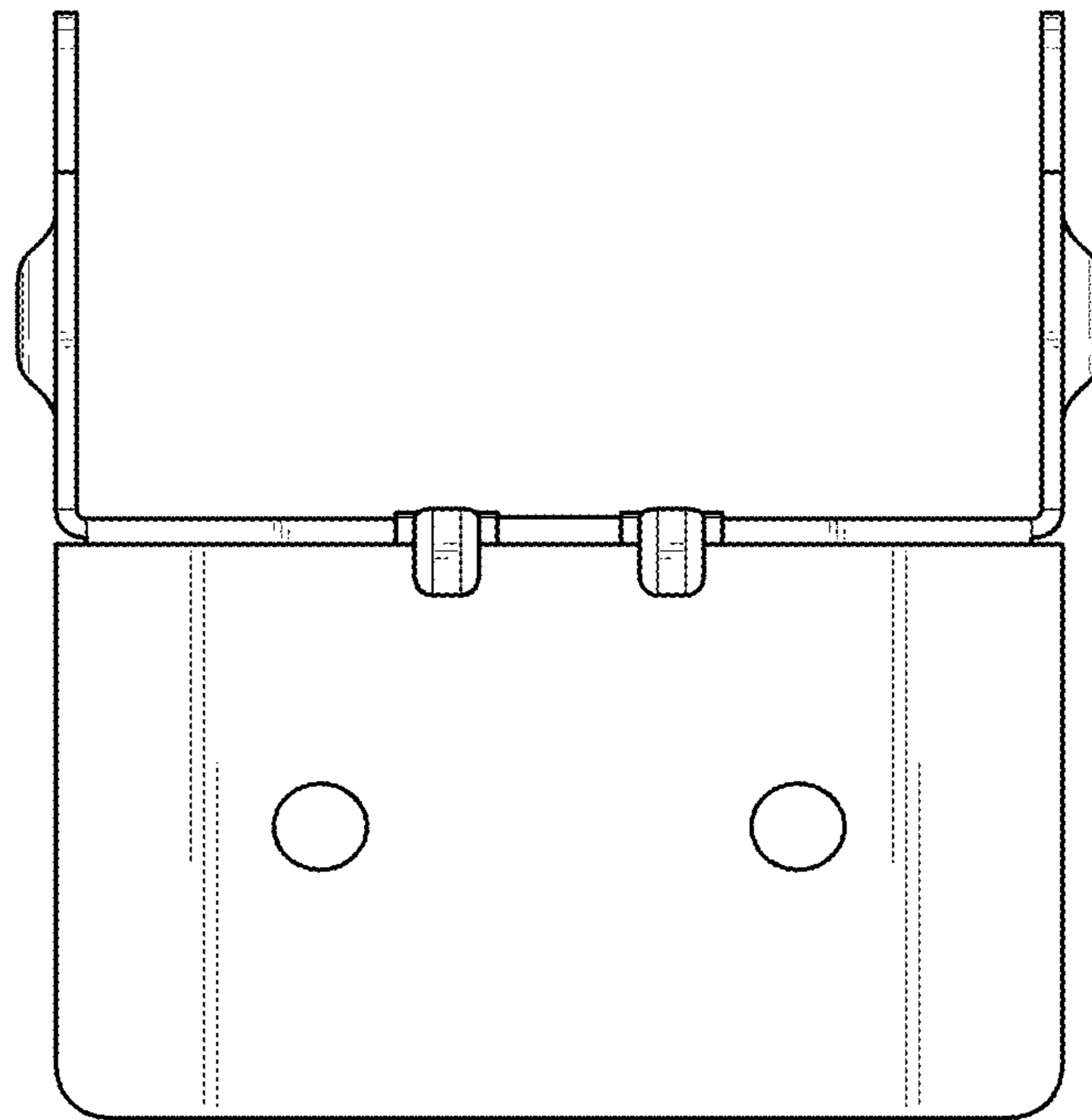


FIG. 6