

US00D864853S

(12) **United States Design Patent** (10) **Patent No.:** **US D864,853 S**  
**Saito et al.** (45) **Date of Patent:** **\*\* Oct. 29, 2019**

(54) **CASING FOR CONCENTRATOR PHOTOVOLTAIC MODULE**

(71) Applicant: **Sumitomo Electric Industries, Ltd.**,  
Osaka-shi (JP)

(72) Inventors: **Kenji Saito**, Osaka (JP); **Youichi Nagai**, Osaka (JP); **Akihiko Kojima**, Osaka (JP); **Takashi Iwasaki**, Osaka (JP); **Yoshiya Abiko**, Osaka (JP); **Makoto Inagaki**, Osaka (JP)

(73) Assignee: **Sumitomo Electric Industries, Ltd.**,  
Osaka-shi (JP)

(\*\*) Term: **15 Years**

(21) Appl. No.: **29/559,498**

(22) Filed: **Mar. 29, 2016**

(30) **Foreign Application Priority Data**

Sep. 30, 2015 (JP) ..... 2015-021546  
Sep. 30, 2015 (JP) ..... 2015-021547

(51) **LOC (12) Cl.** ..... **13-02**

(52) **U.S. Cl.**  
USPC ..... **D13/102**

(58) **Field of Classification Search**  
USPC ..... D13/101, 102, 118, 184, 199; D25/48.1,  
D25/60, 61, 138, 156

(Continued)

(56) **References Cited**

**U.S. PATENT DOCUMENTS**

D559,174 S \* 1/2008 Sharma ..... D13/102  
D679,243 S \* 4/2013 Chilton ..... D13/102

(Continued)

**FOREIGN PATENT DOCUMENTS**

TW D125043 S 9/2008

**OTHER PUBLICATIONS**

Notice of Allowance in Taiwanese Design Application No. 105301669 dated Jun. 29, 2016.

*Primary Examiner* — Derrick E Holland

(74) *Attorney, Agent, or Firm* — Baker Botts L.L.P.;  
Michael A. Sartori

(57) **CLAIM**

The ornamental design for a casing for concentrator photovoltaic module, as shown and described.

**DESCRIPTION**

FIG. 1 is a front view of a casing for a concentrator photovoltaic module showing our new design; FIG. 2 is a rear view thereof; FIG. 3 is a top view thereof; FIG. 4 is a bottom view thereof; FIG. 5 is a right side view thereof; FIG. 6 is a left side view thereof; FIG. 7 is a first perspective view thereof; FIG. 8 is a second perspective view thereof; FIG. 9 is a third perspective view thereof; FIG. 10 is a fourth perspective view thereof; FIG. 11 is a partial view taken along line XXXI-XXXI of FIG. 3, omitting internal structure for ease of illustration; FIG. 12 is a partial view taken along line XXXII-XXXII of FIG. 3, omitting internal structure for ease of illustration; FIG. 13 is a partial view taken along line XXXIII-XXXIII of FIG. 3, omitting internal structure for ease of illustration; FIG. 14 is an enlarged view of XXXIV-XXXIV portion of FIG. 9; FIG. 15 is an enlarged view of XXXV-b portion of FIG. 9; FIG. 16 is an enlarged view of XXXVI-b portion of FIG. 9; FIG. 17 is an enlarged view of XXXVII-XXXVII portion of FIG. 10; FIG. 18 is an enlarged view of XXXVIII-c portion of FIG. 10; FIG. 19 is an enlarged view of XXXIX-c portion of FIG. 10; FIG. 20 is an enlarged view of XL-XL portion of FIG. 11; FIG. 21 is an enlarged view of XLI-XLI portion of FIG. 12; and,

(Continued)

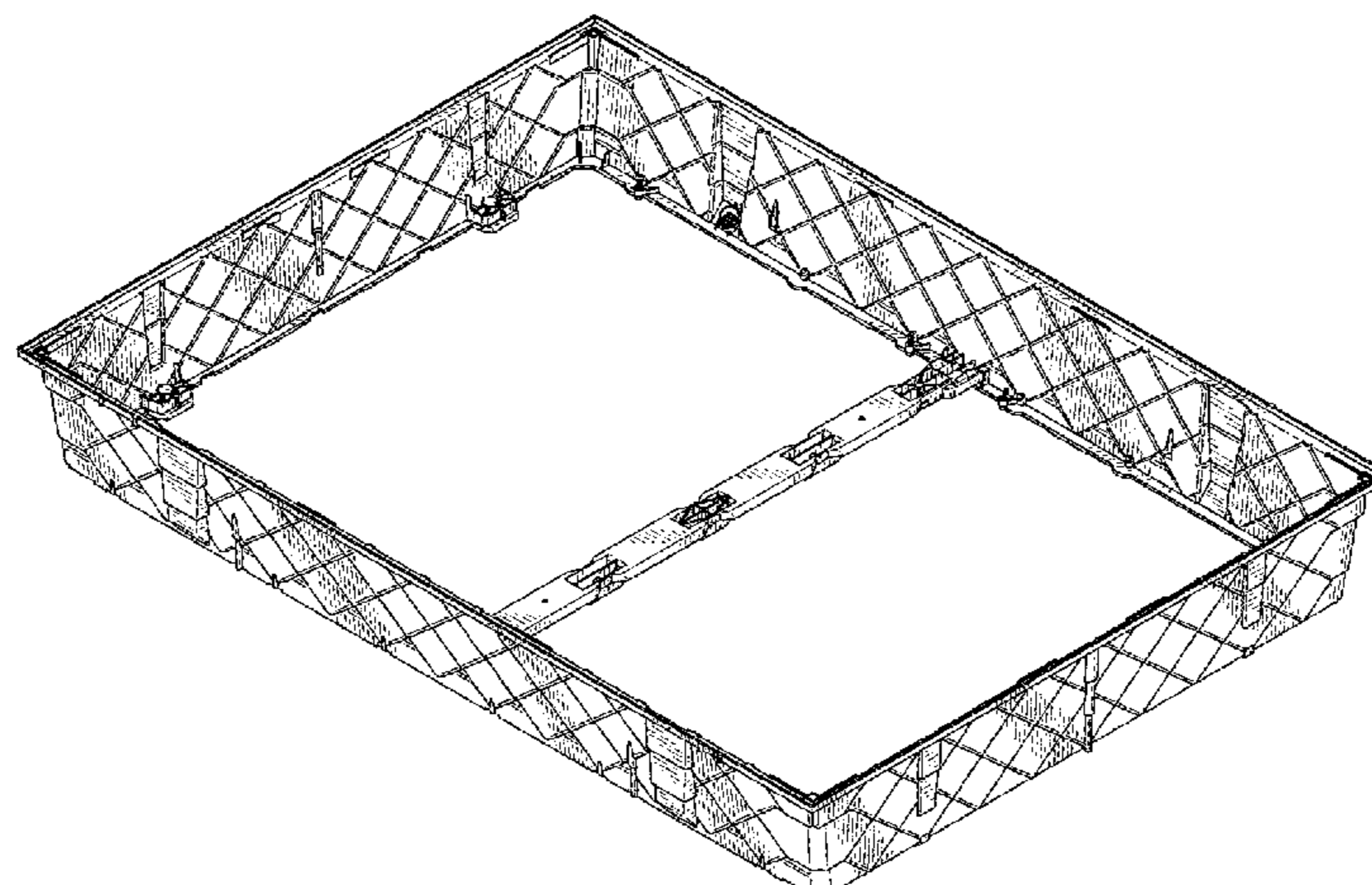


FIG. 22 is an enlarged view of XLII-XLII portion of FIG. 13.

The dashed broken lines define the bounds of the enlarged partial views of the claimed design and form no part thereof.

**1 Claim, 11 Drawing Sheets**

(58) **Field of Classification Search**

CPC ..... H01L 31/00; H01L 31/042; H02S 30/10;  
H02S 20/23; Y02E 10/50; Y10S 136/292;  
Y10S 136/293

See application file for complete search history.

(56) **References Cited**

U.S. PATENT DOCUMENTS

D686,979	S *	7/2013	Chilton	.....	D13/102
D689,817	S *	9/2013	Sun	.....	D13/102
9,057,540	B2 *	6/2015	Buettner	.....	H01L 31/042
9,973,140	B2 *	5/2018	Kouyanagi	.....	H02S 30/10
2011/0180680	A1 *	7/2011	Brodam	.....	H02S 30/10 248/346.01

\* cited by examiner

FIG. 1

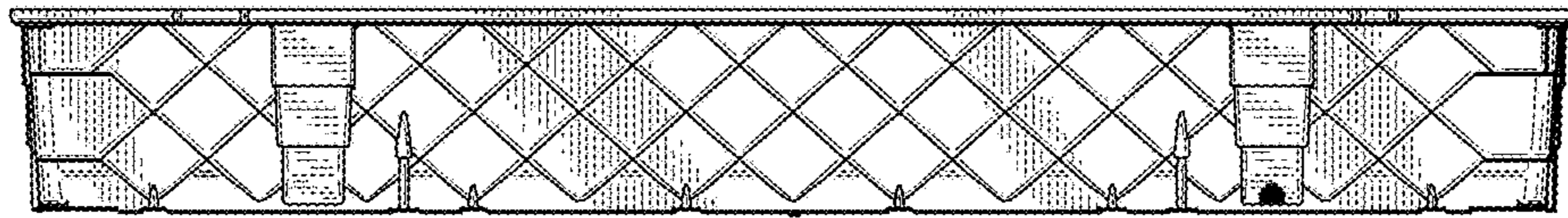


FIG. 2

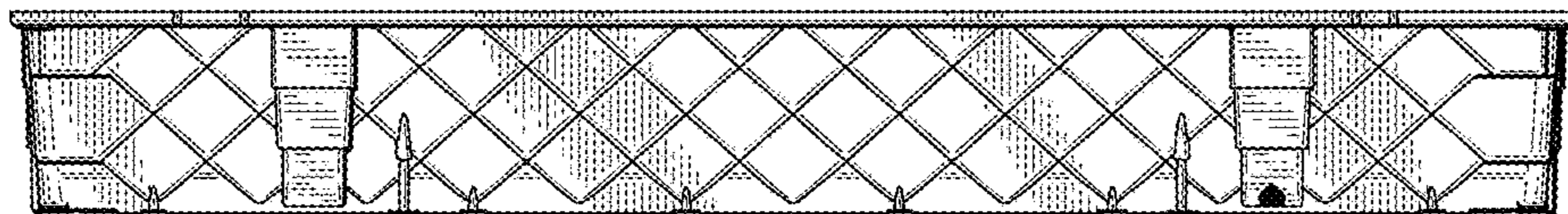


FIG. 3

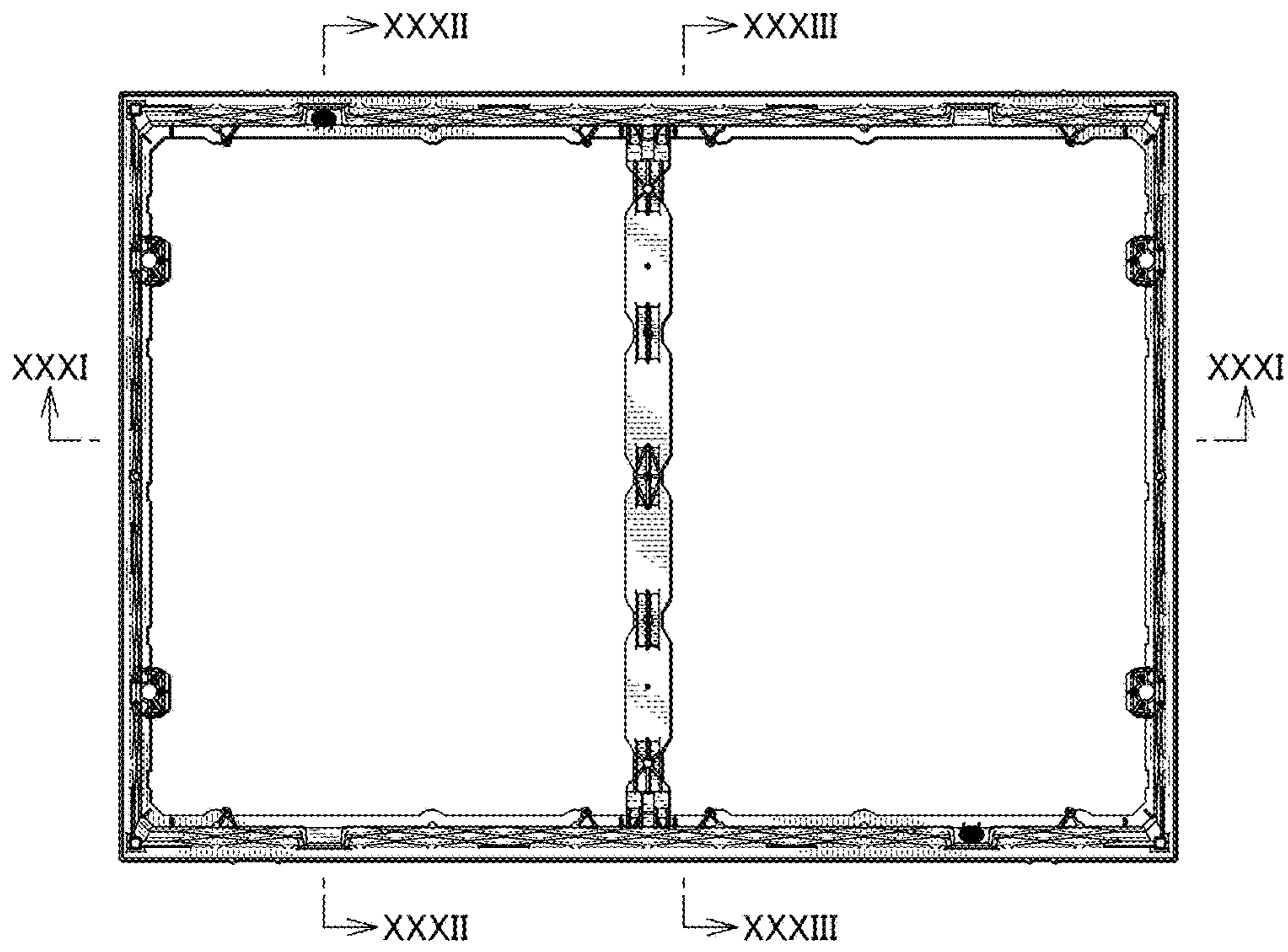


FIG. 4

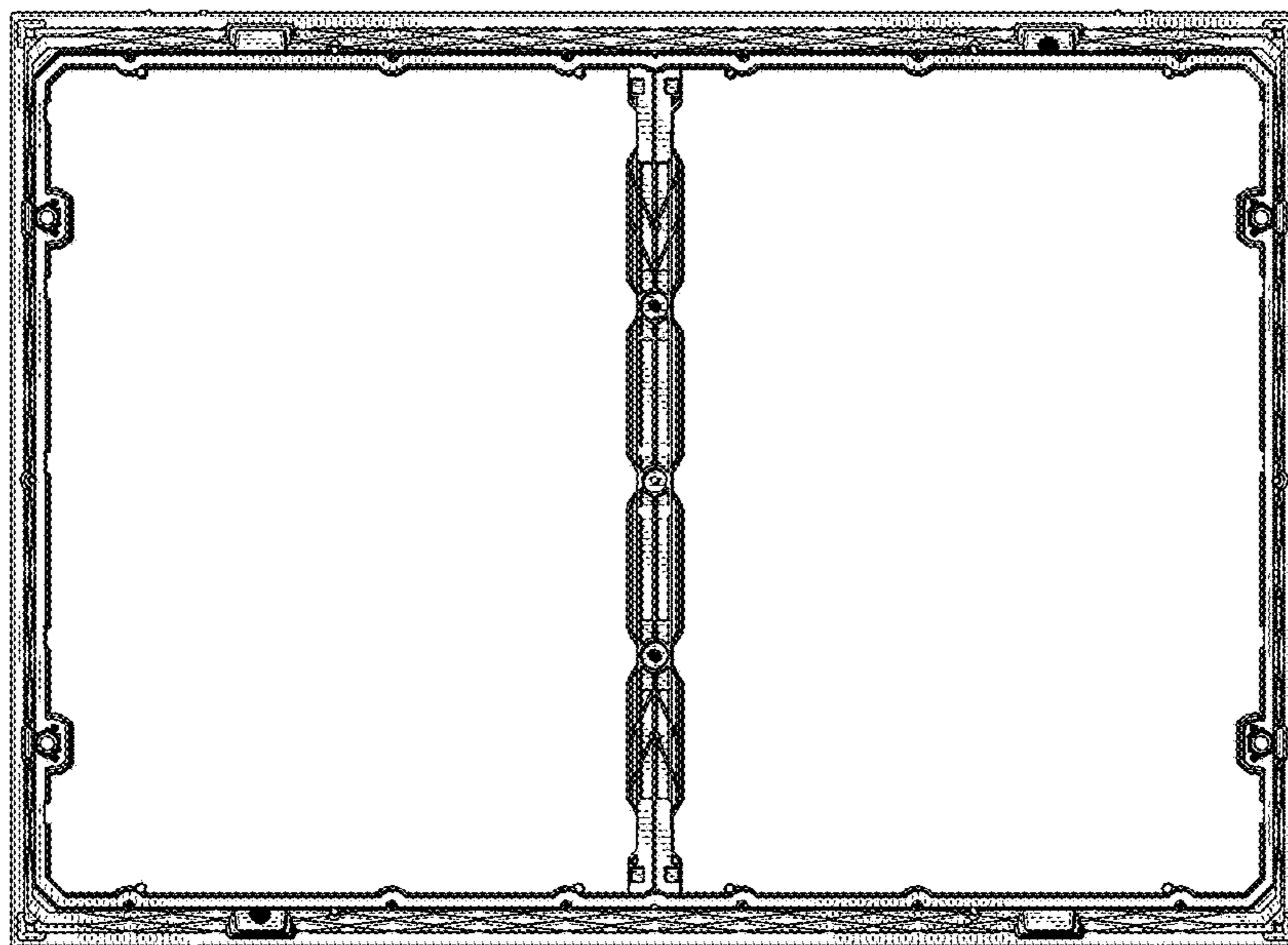


FIG. 5

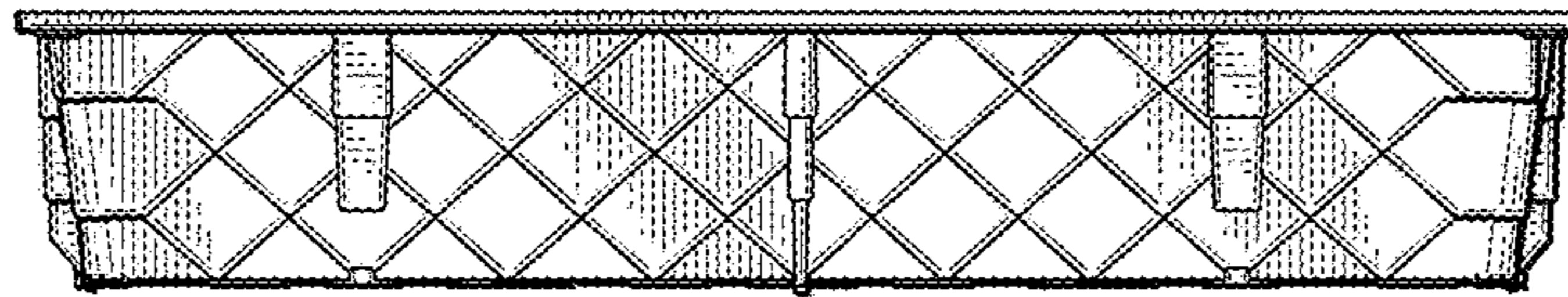


FIG. 6

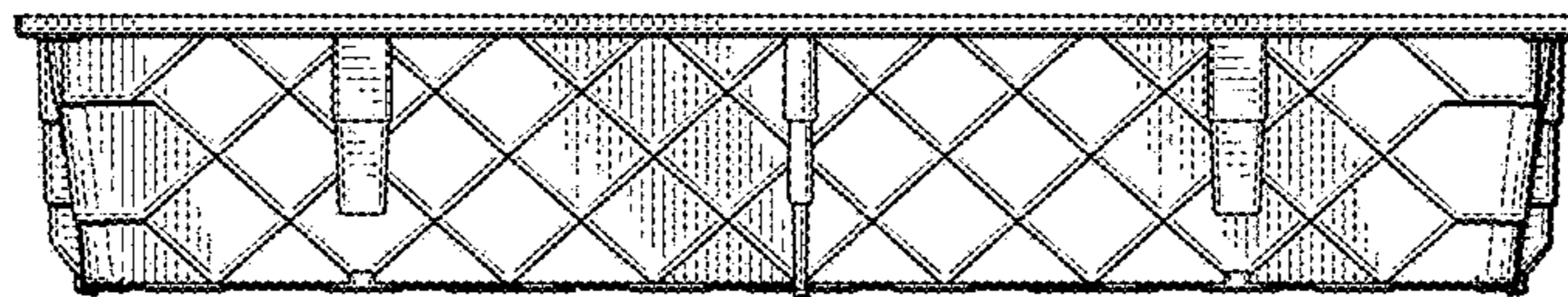


FIG. 7

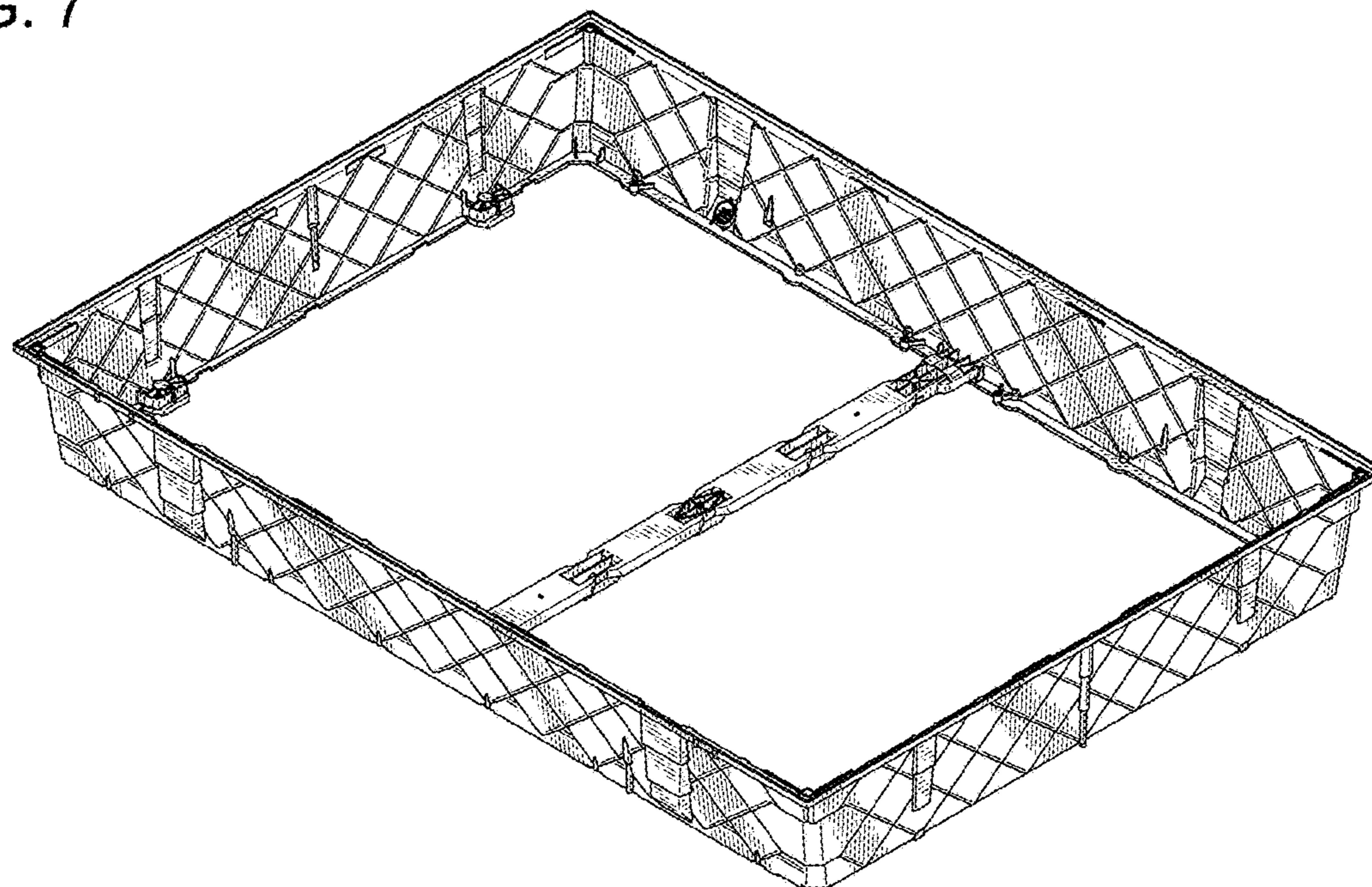


FIG. 8

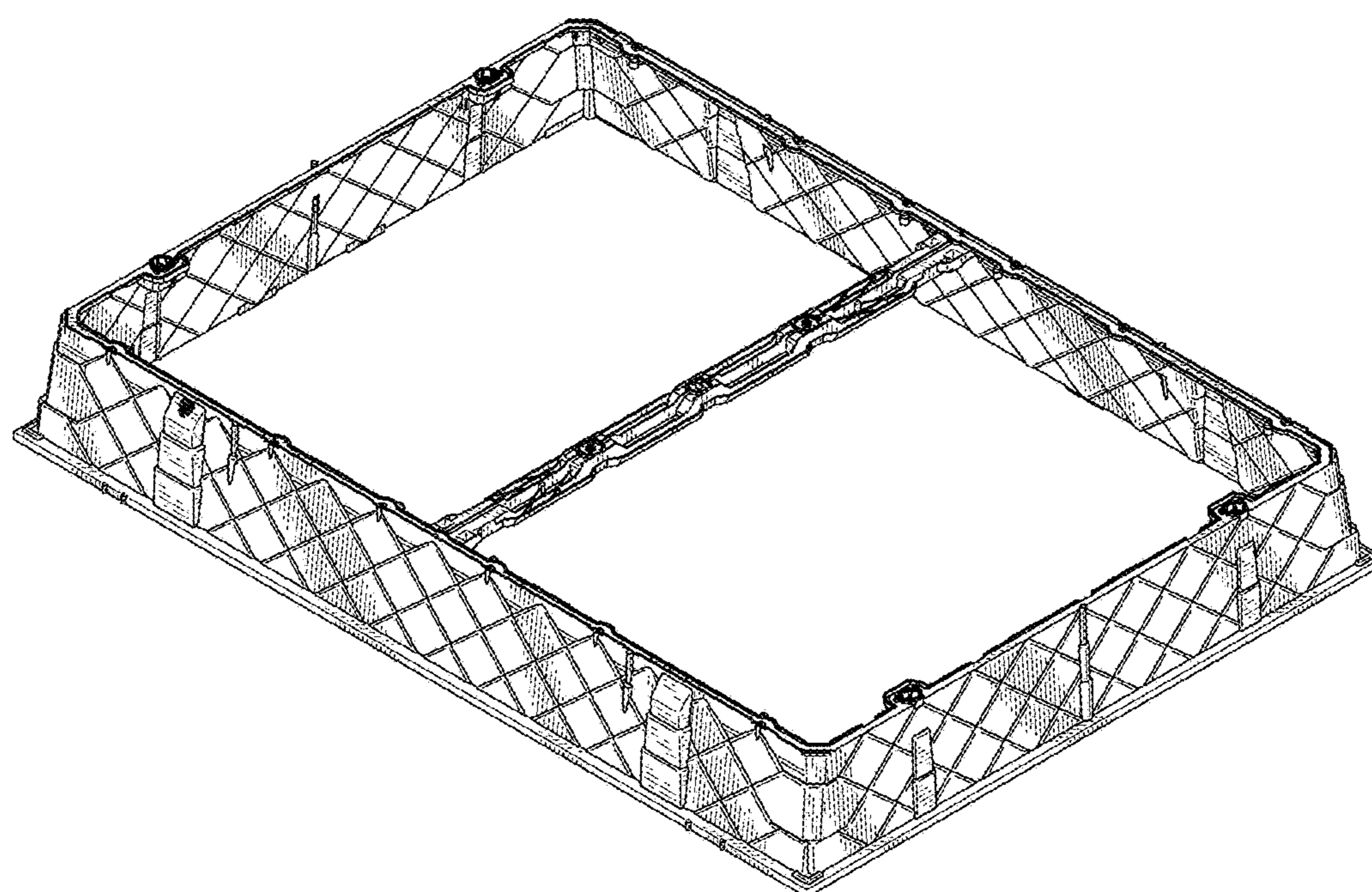


FIG.9

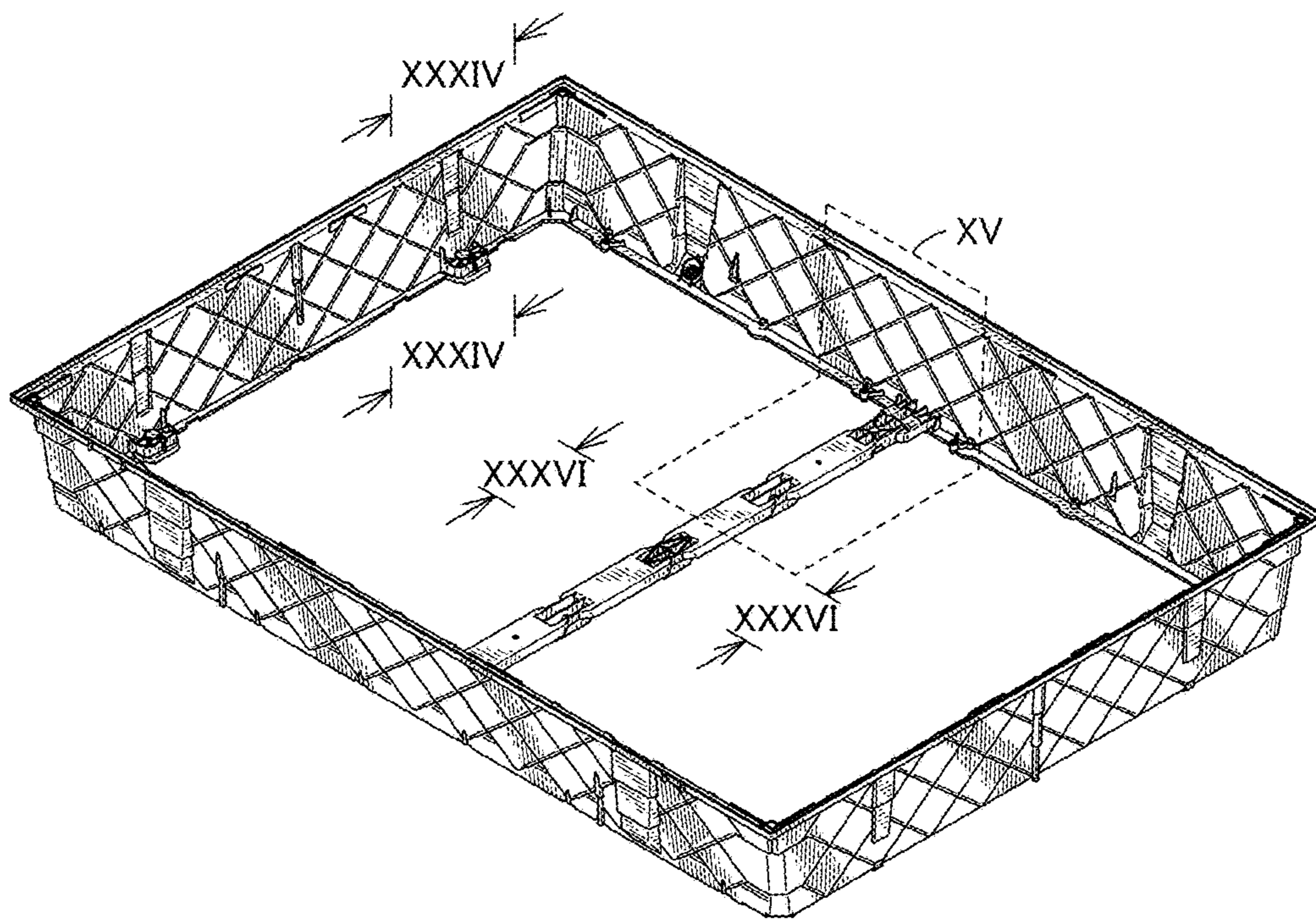


FIG.10

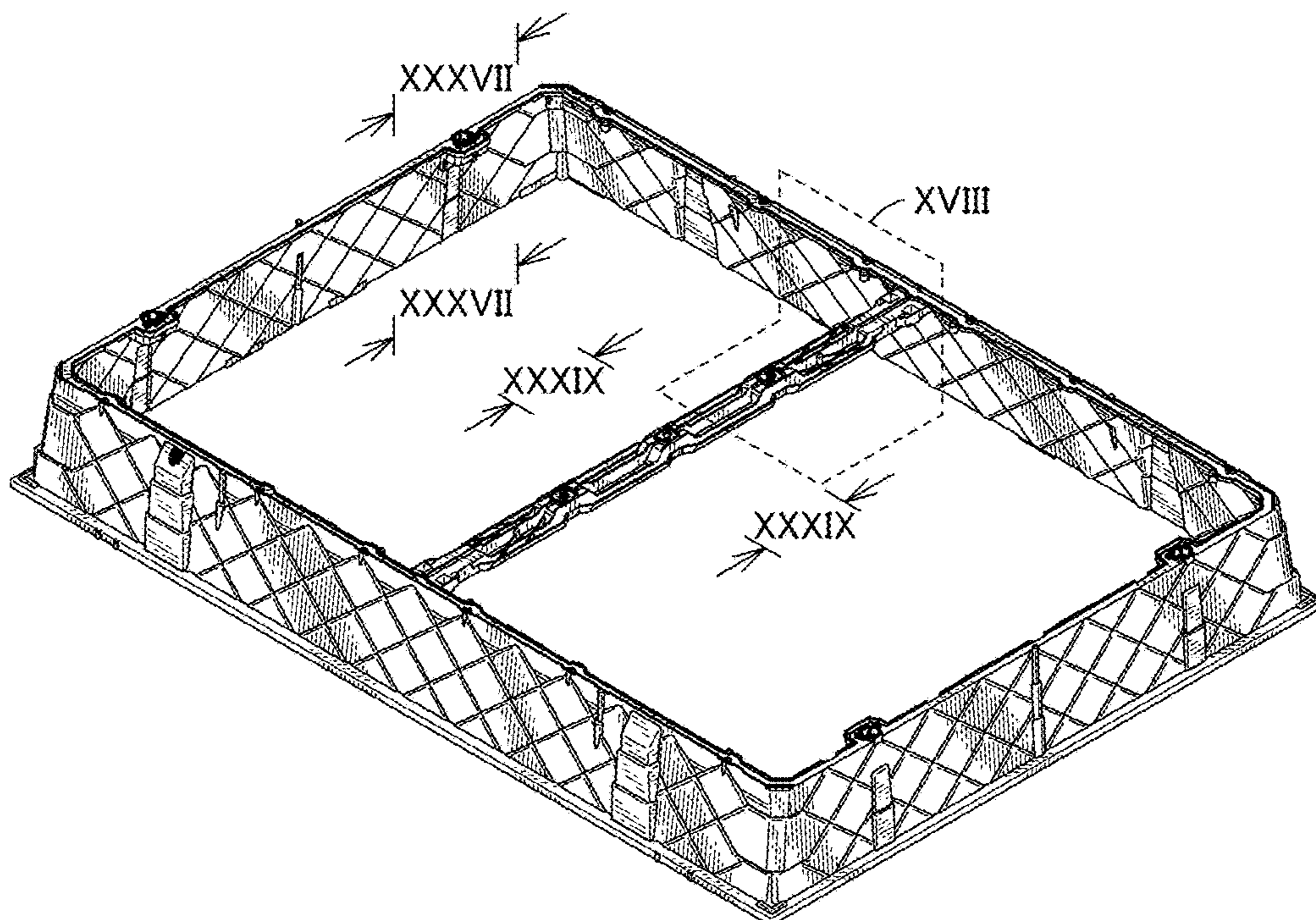


FIG. 11

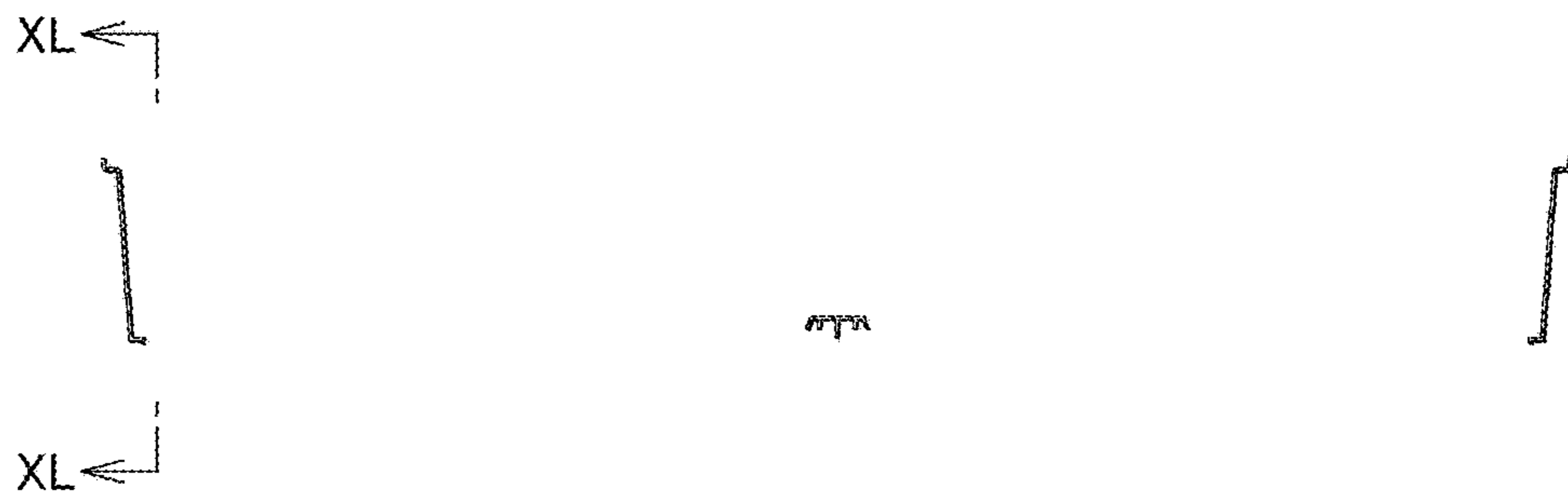


FIG. 12



FIG. 13

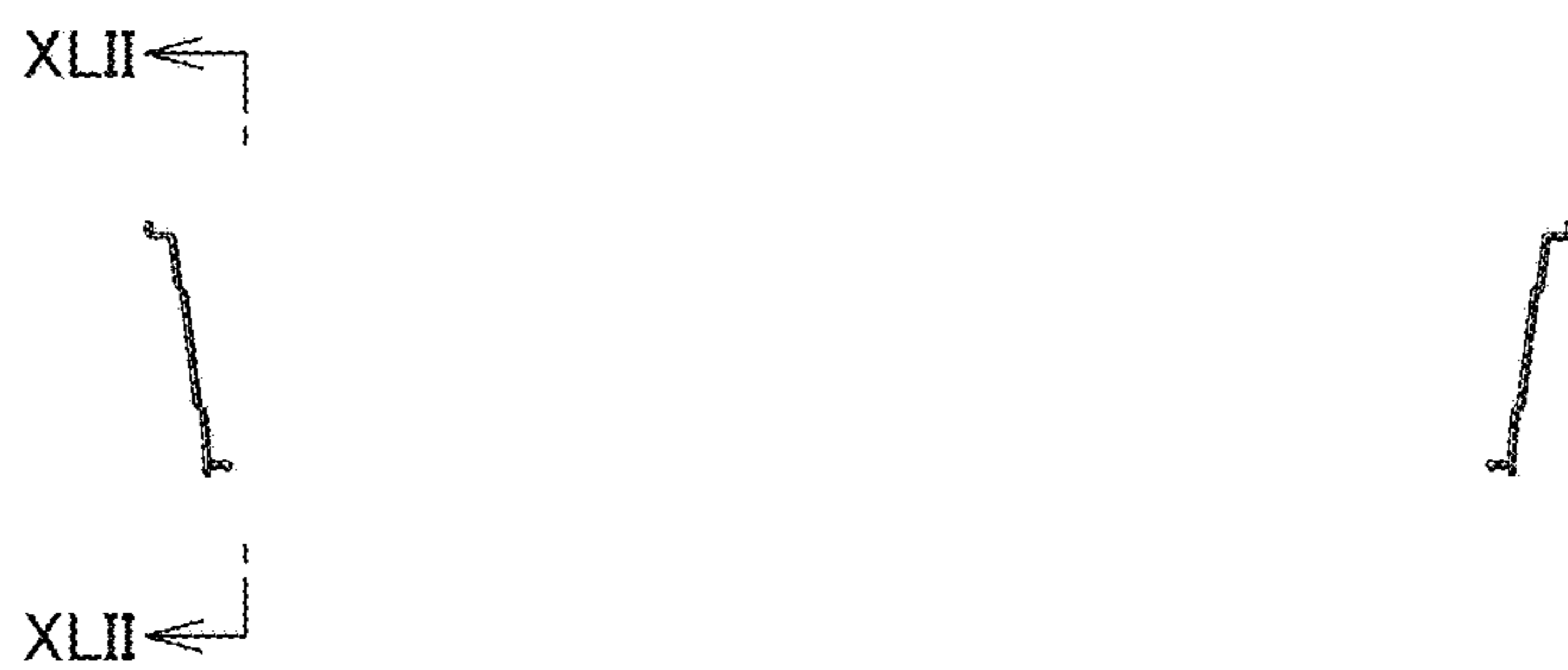




FIG. 14

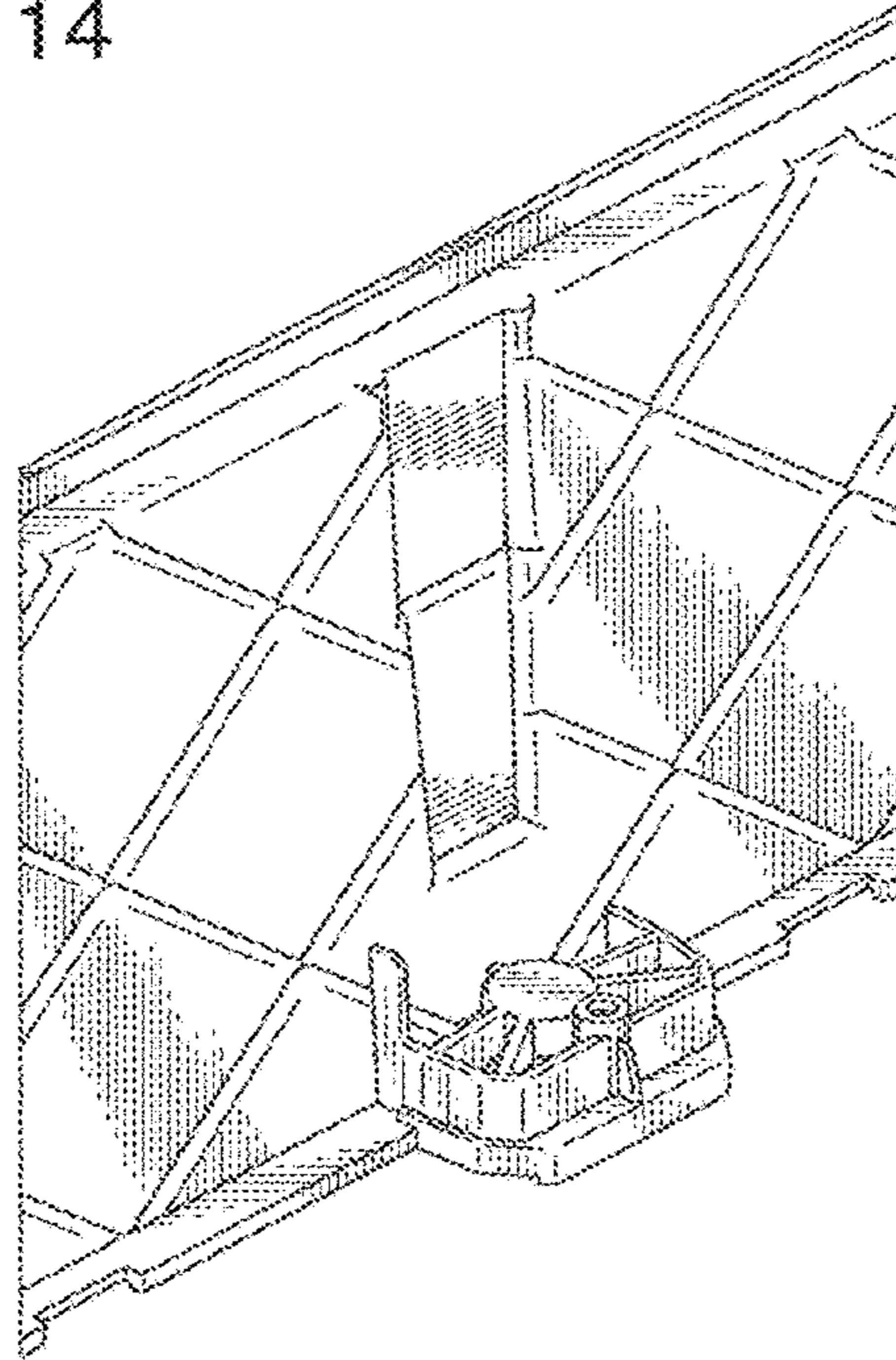


FIG. 15

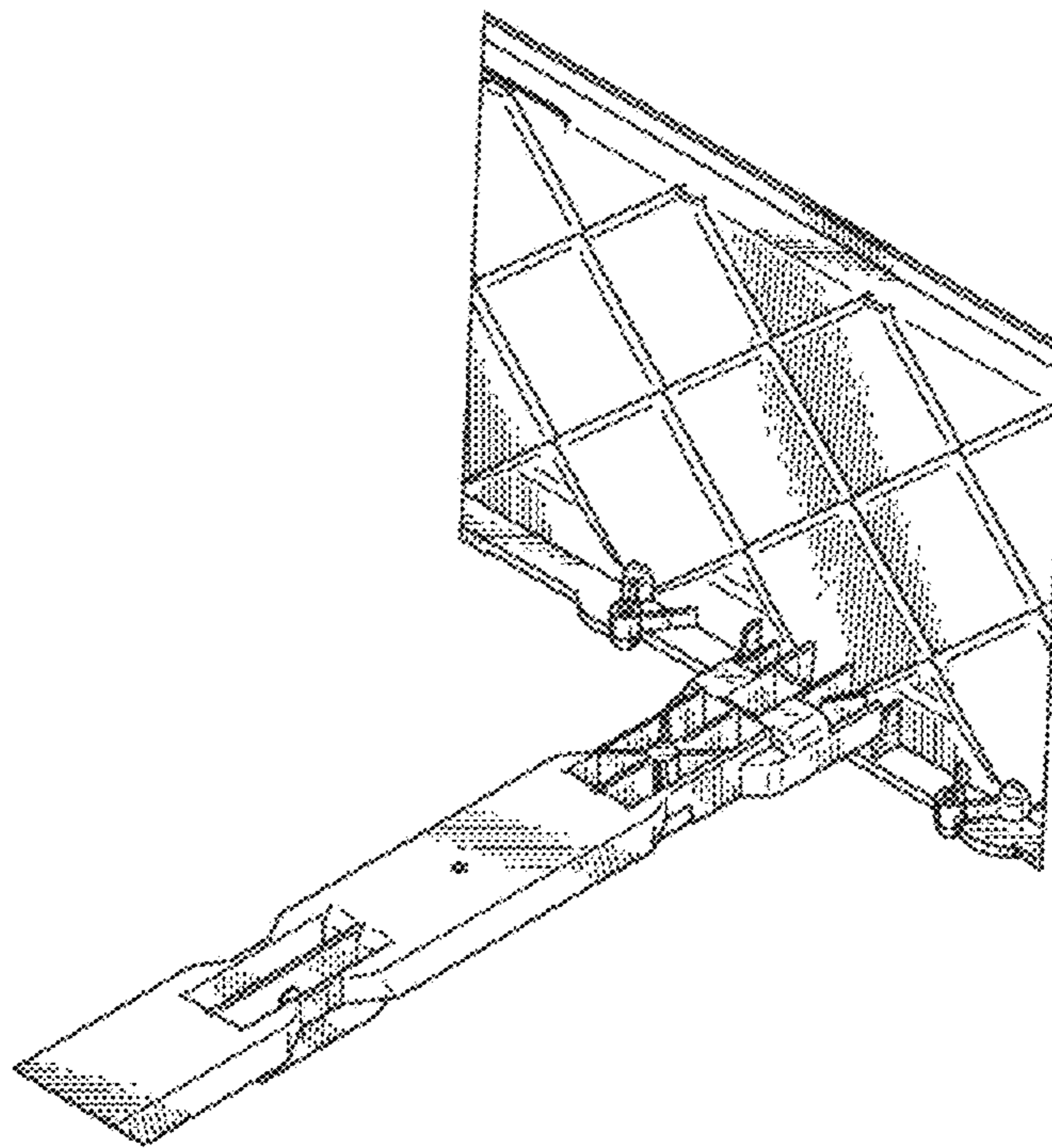


FIG. 16

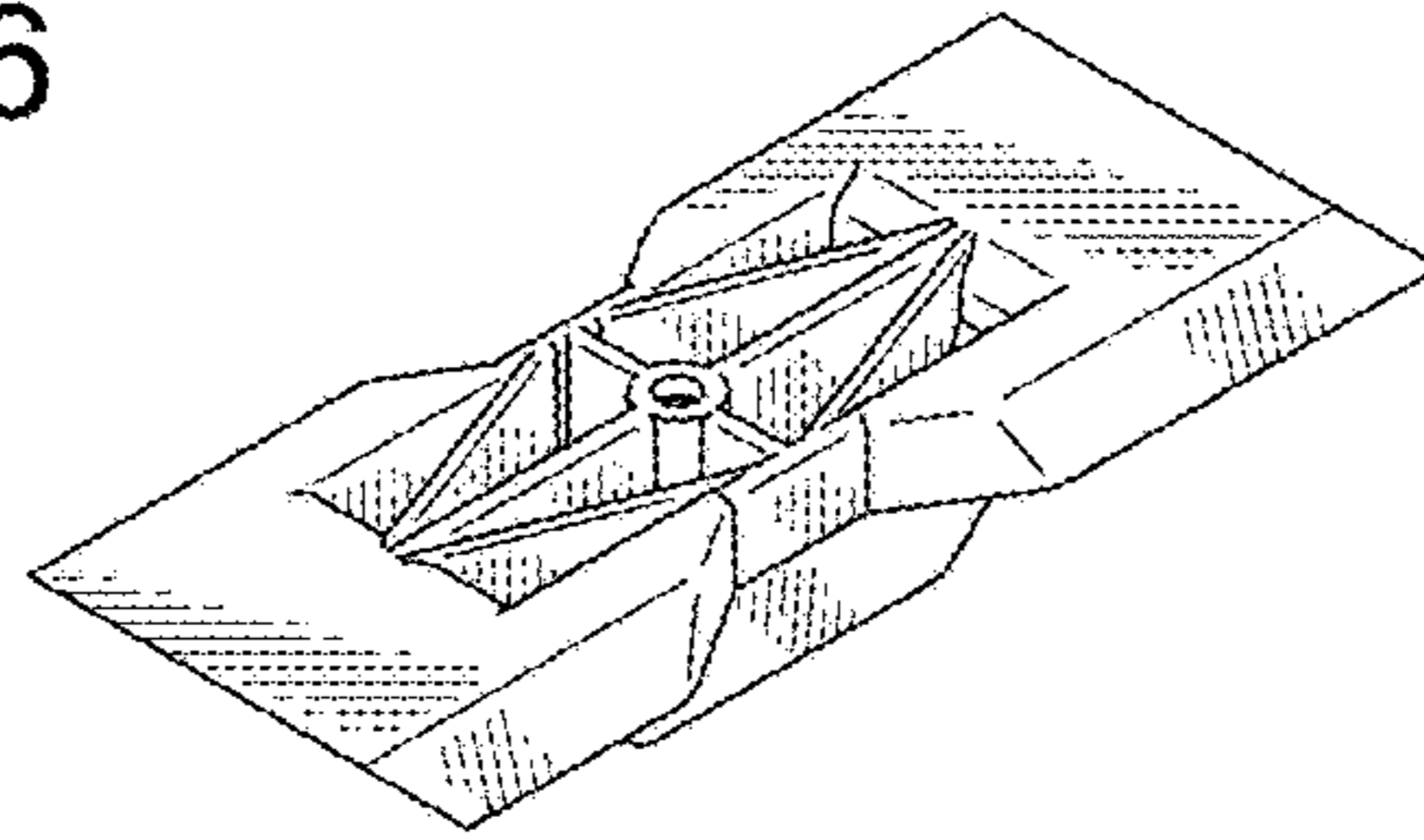


FIG. 17

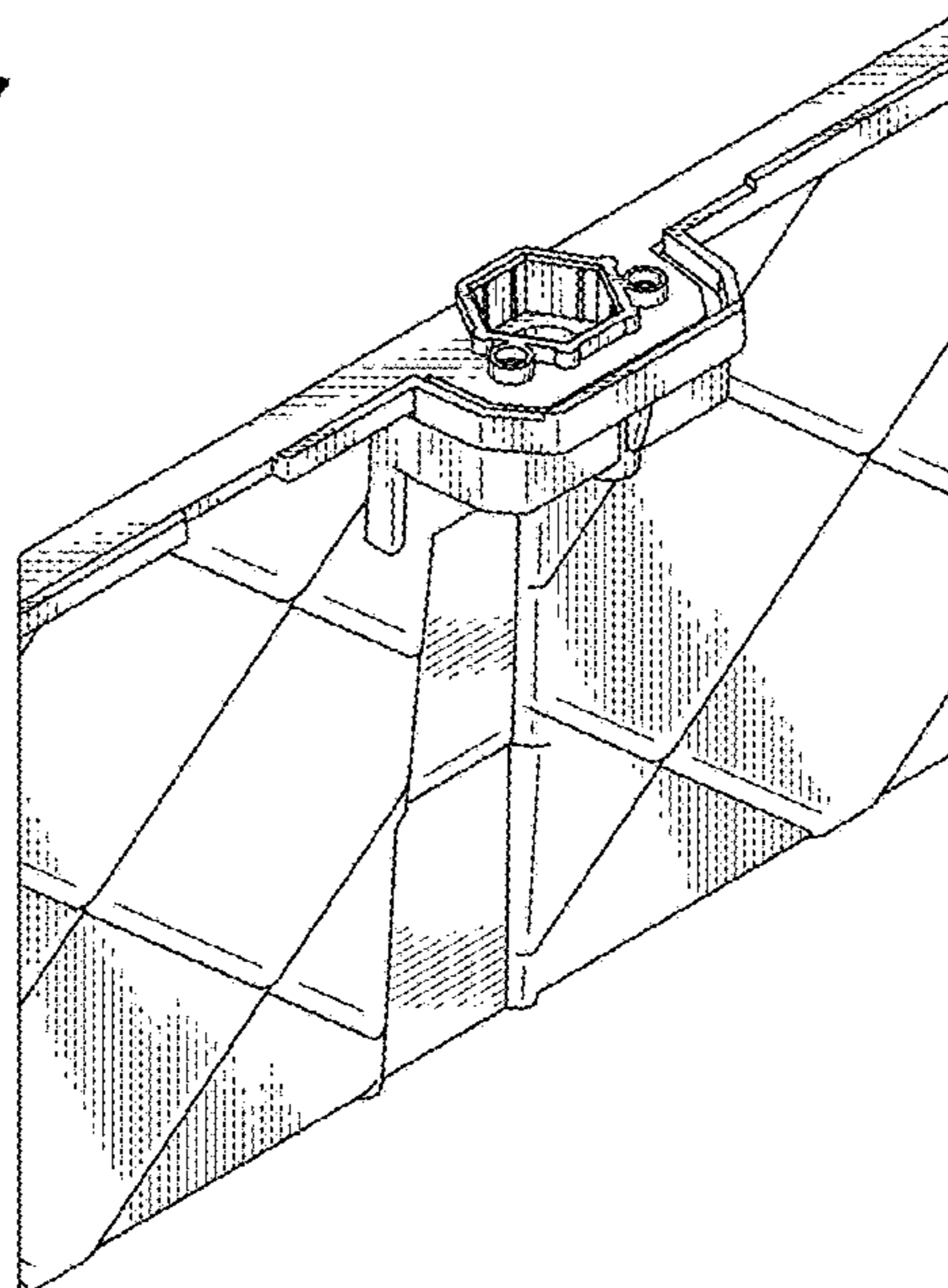


FIG.18

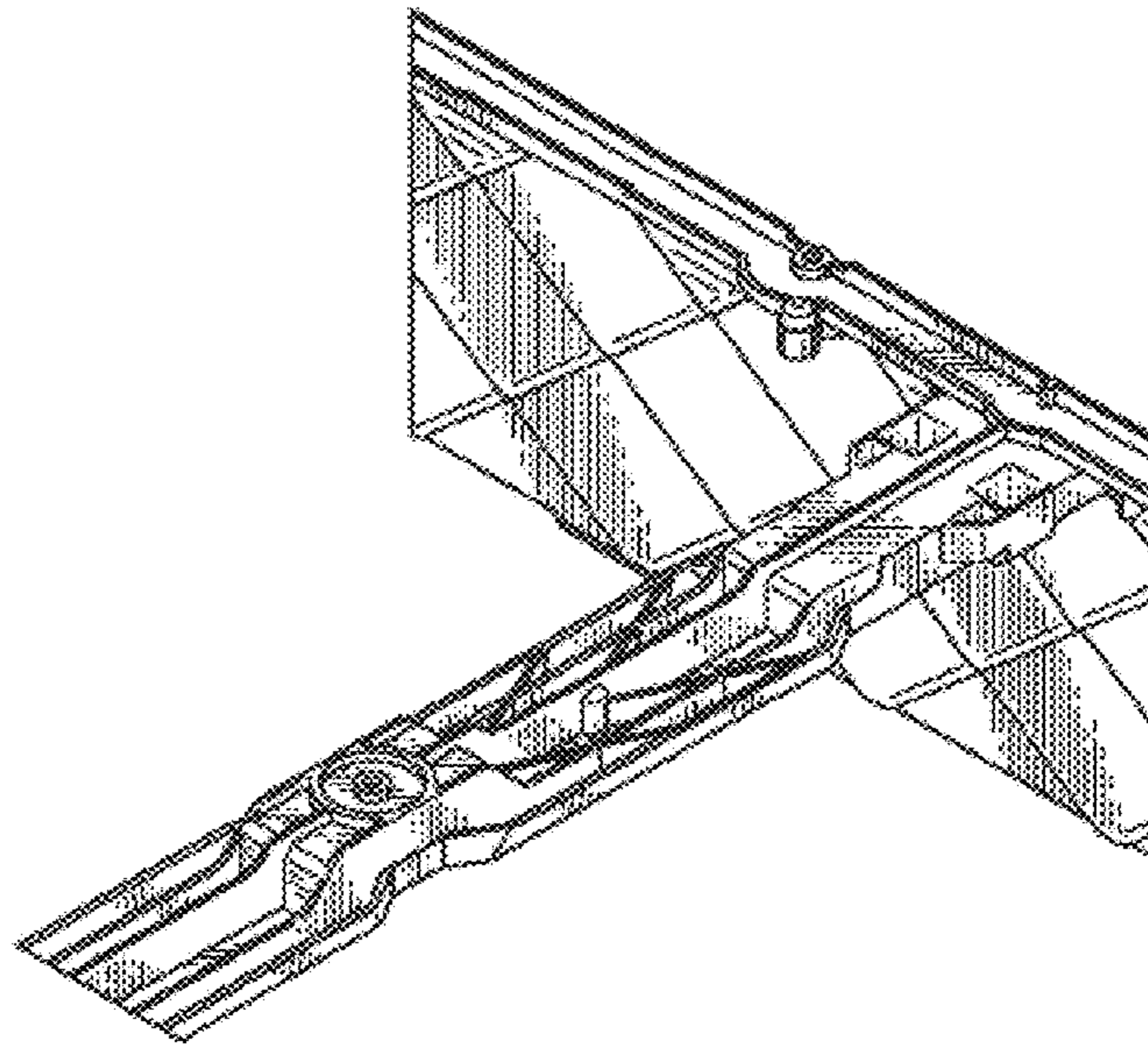


FIG. 19

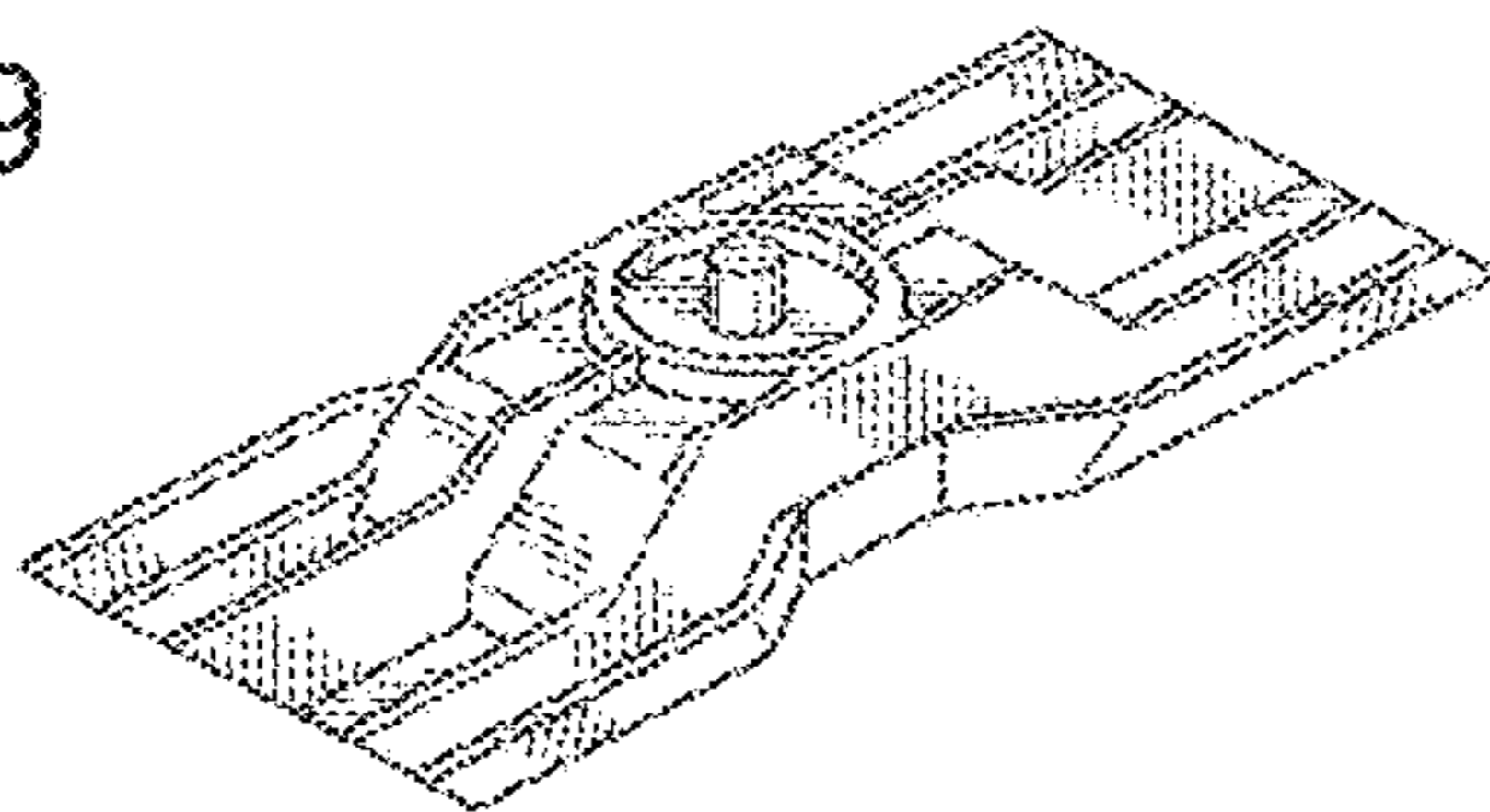


FIG. 20

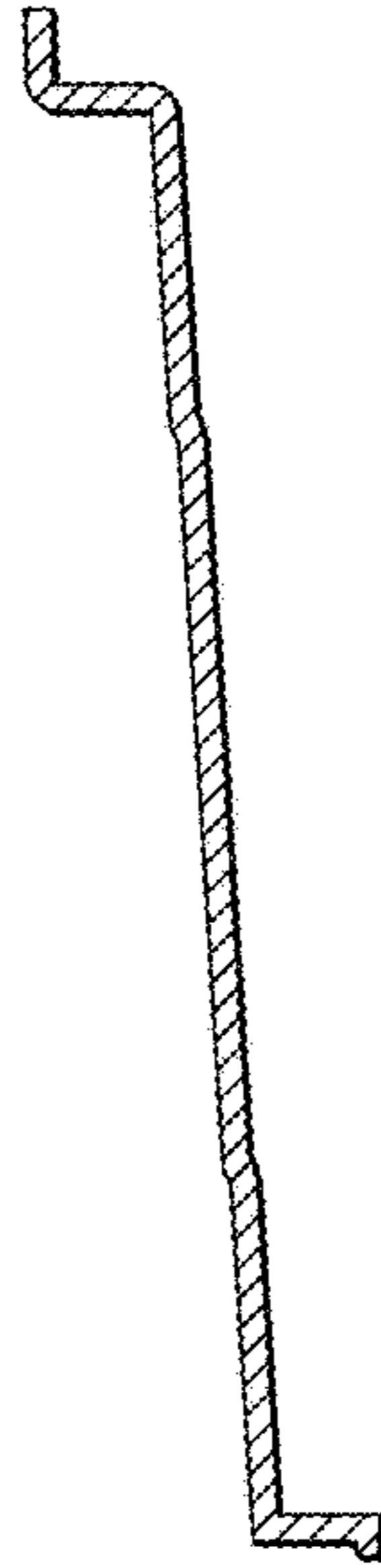


FIG. 21

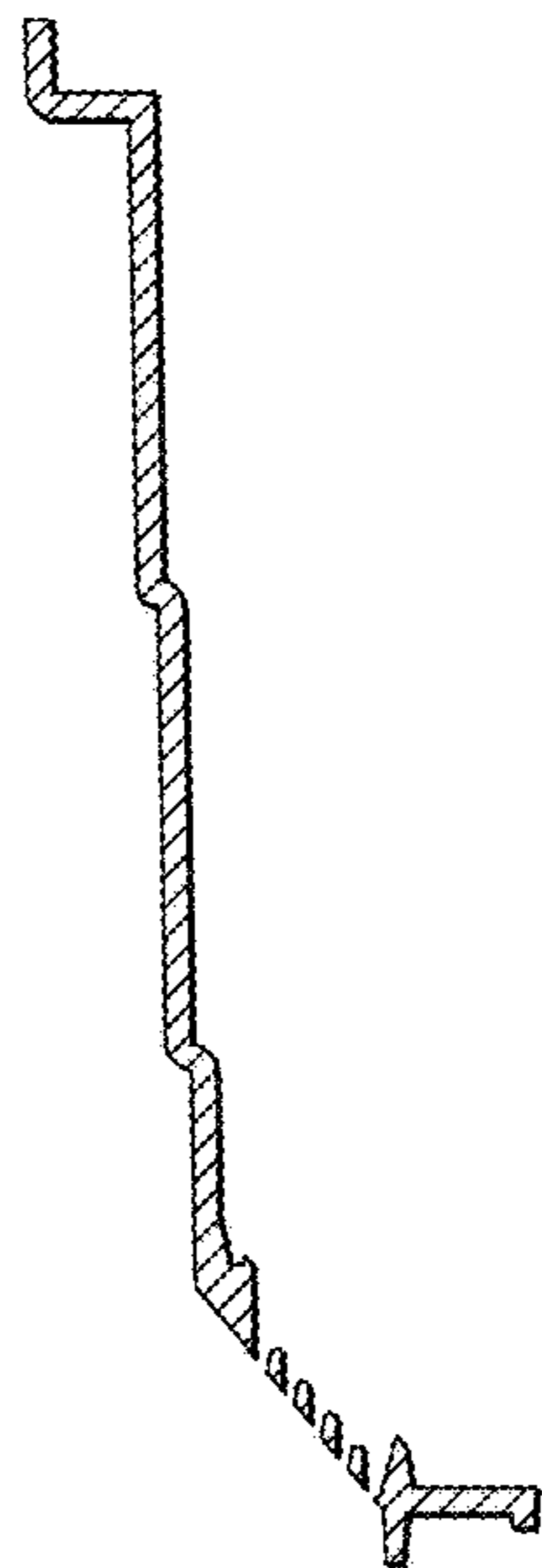


FIG. 22

