

US00D864852S

(12) **United States Design Patent**
Hoshino

(10) **Patent No.:** **US D864,852 S**
(45) **Date of Patent:** **** Oct. 29, 2019**

(54) **TIRE SIDEWALL FOR AUTOMOBILE**

(71) Applicant: **SUMITOMO RUBBER INDUSTRIES, LTD.**, Hyogo (JP)

(72) Inventor: **Ryota Hoshino**, Kobe (JP)

(**) Term: **15 Years**

(21) Appl. No.: **35/504,496**

(22) Filed: **Aug. 18, 2017**

(80) **Hague Agreement Data**

Int. Filing Date: **Aug. 18, 2017**
Int. Reg. No.: **DM/098876**
Int. Reg. Date: **Aug. 18, 2017**
Int. Reg. Pub. Date: **Feb. 23, 2018**

(51) **LOC (12) Cl.** **12-15**

(52) **U.S. Cl.**
USPC **D12/605**

(58) **Field of Classification Search**
USPC D12/500–501, 506, 534–538, 569–573,
D12/604–605, 900; D5/30; D7/396.4,
D7/396.5
CPC B06C 1/00; B06C 13/00
See application file for complete search history.

(56) **References Cited**

U.S. PATENT DOCUMENTS

D87,418 S *	7/1932	Smith	D12/535
D87,419 S *	7/1932	Smith	D12/535
D380,713 S *	7/1997	Attinello	D12/601
D452,203 S *	12/2001	Kajikawa	D12/605
D517,003 S *	3/2006	Shondel	D12/605
D569,337 S *	5/2008	Iwabuchi	D12/605
D584,682 S *	1/2009	Tanaka	D12/605
D649,111 S *	11/2011	Tokizaki	D12/605
D671,066 S *	11/2012	Morito	D12/605
D683,695 S *	6/2013	Takeshima	D12/605
D695,211 S *	12/2013	Yasunaga	D12/605

D700,886 S *	3/2014	Matsumoto	D12/605
D711,816 S *	8/2014	Iwabuchi	D12/605
D739,344 S *	9/2015	Kuwano	D12/605
D740,747 S *	10/2015	Sato	D12/605
D773,987 S *	12/2016	Ishikawa	D12/605
D777,656 S *	1/2017	Maxwell	D12/605
D791,068 S *	7/2017	Ishikawa	D12/605
D792,842 S *	7/2017	Itoi	D12/605
D800,646 S *	10/2017	Sato	D12/605
D802,526 S *	11/2017	Ishikawa	D12/605
D830,960 S *	10/2018	Sato	D12/605

* cited by examiner

Primary Examiner — Darlington Ly

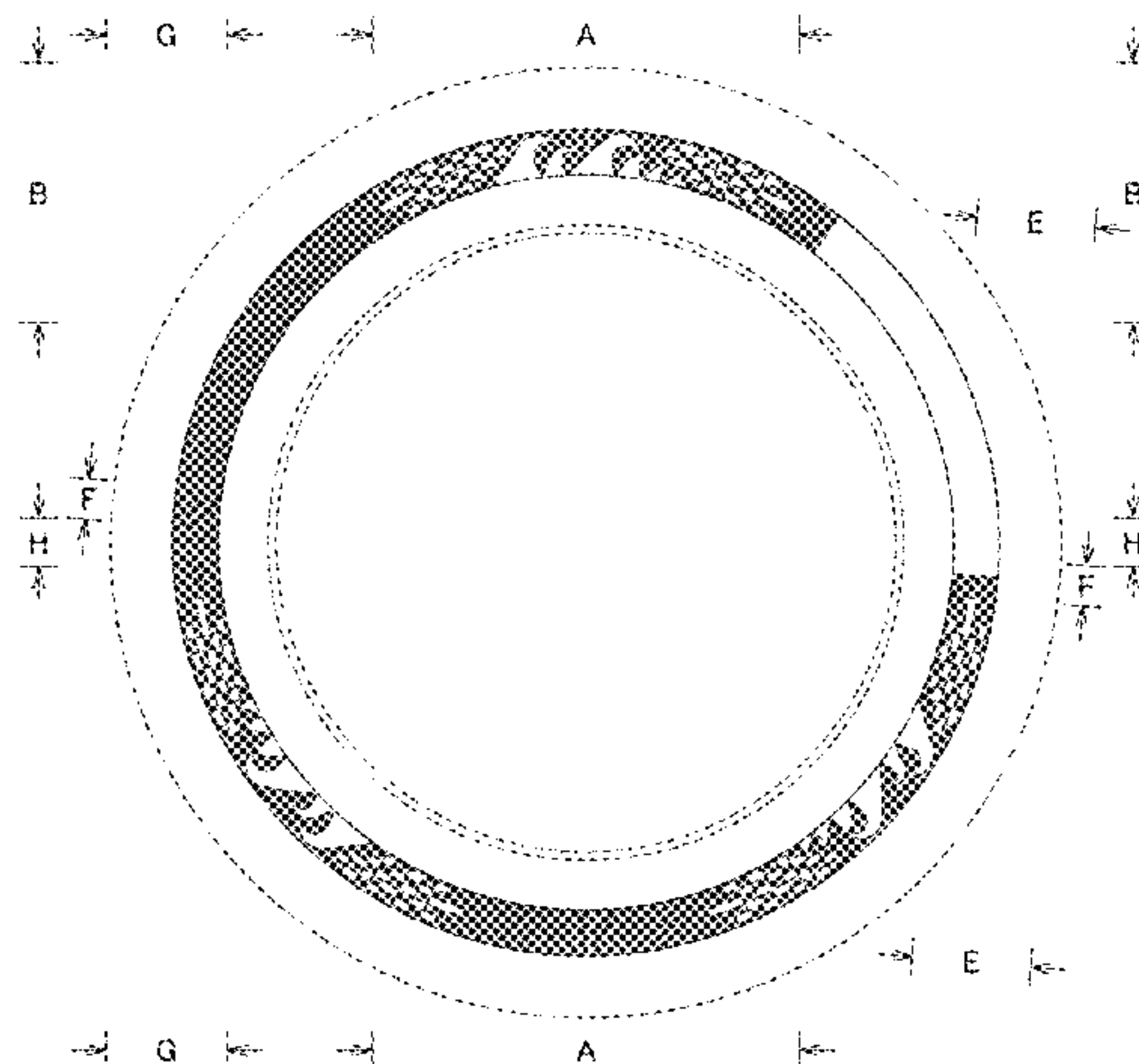
(57) **CLAIM**

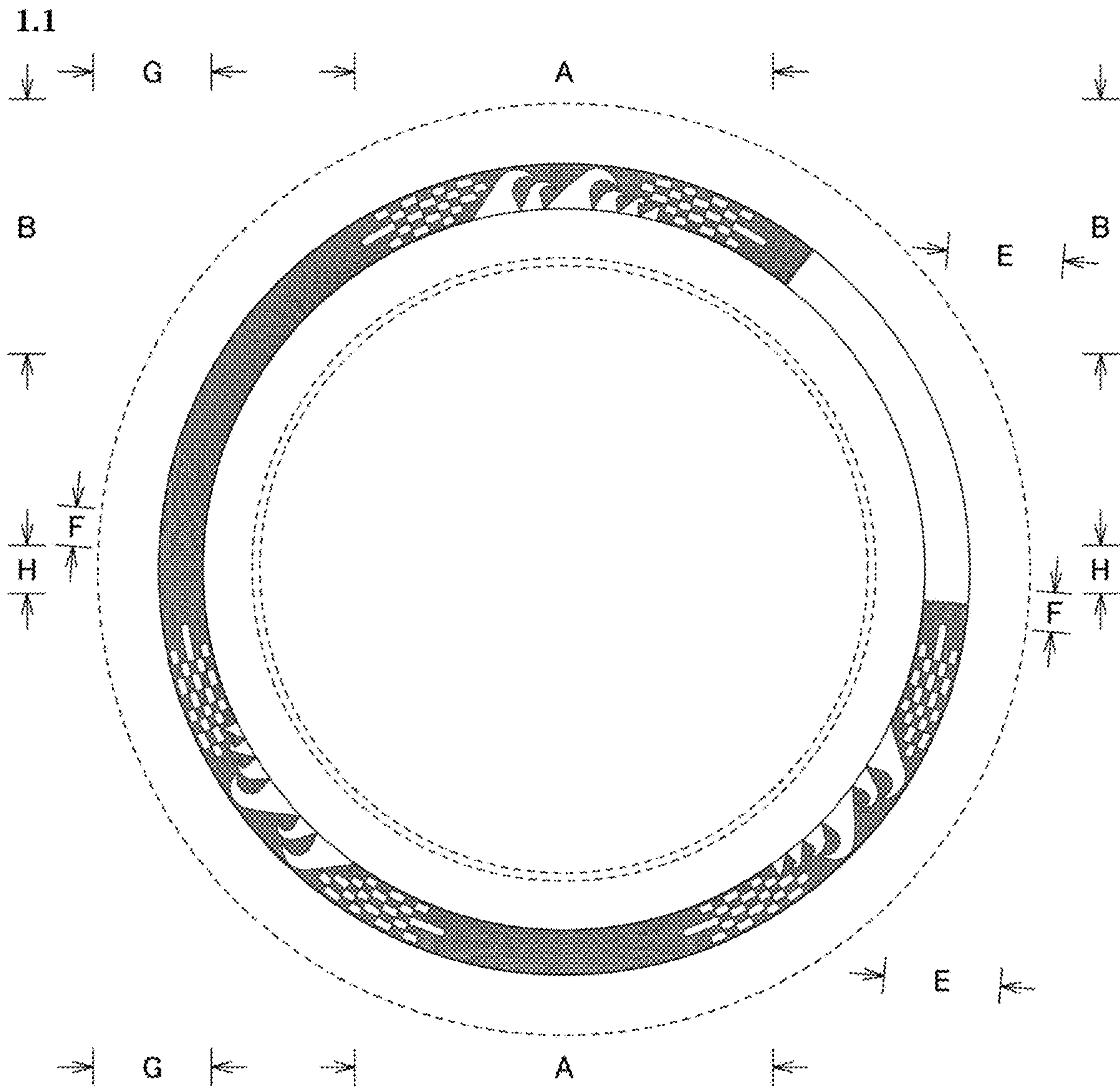
The ornamental design for a tire sidewall for automobile, as shown and described.

DESCRIPTION

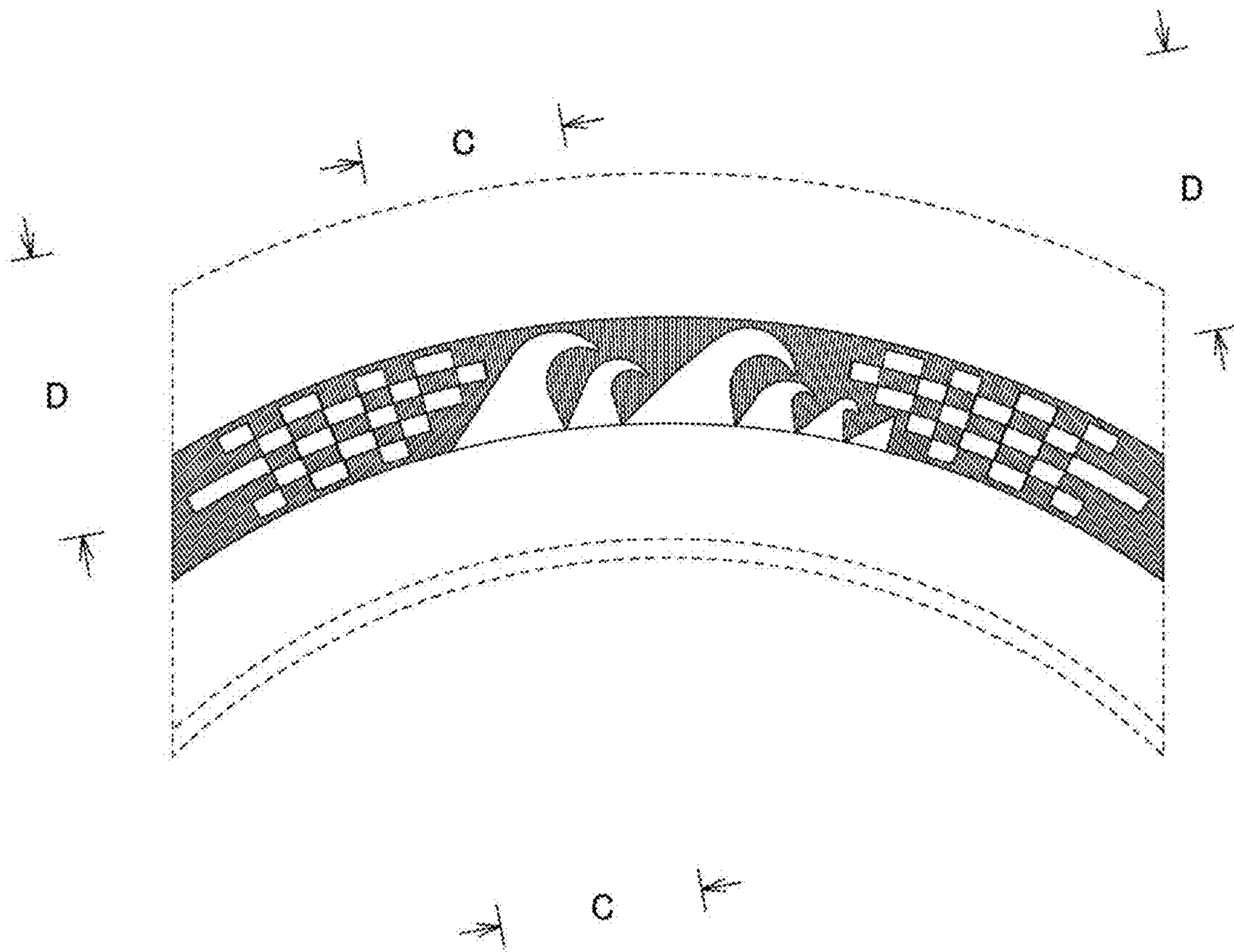
1.1 is a front elevation view of a tire sidewall for automobile showing my new design;
 1.2 is a partial enlarged front elevation view thereof taken along lines A-A and B-B in 1.1;
 1.3 is a right side elevation view thereof;
 1.4 is a top plan view thereof;
 1.5 is a partial enlarged front elevation view thereof taken along lines C-C and D-D in 1.2;
 1.6 is a partial enlarged front elevation view thereof taken along lines E-E and F-F in 1.1;
 1.7 is a partial enlarged front elevation view thereof taken along lines G-G and H-H in 1.1;
 1.8 is a partial enlarged end view thereof taken along line I-I in 1.7;
 1.9 is a rear elevation view thereof;
 1.10 is a left side elevation view thereof; and
 1.11 is a bottom plan view thereof.
 The broken lines in the reproductions illustrate portions of the tire for automobile that form no part of the claimed design.

1 Claim, 11 Drawing Sheets

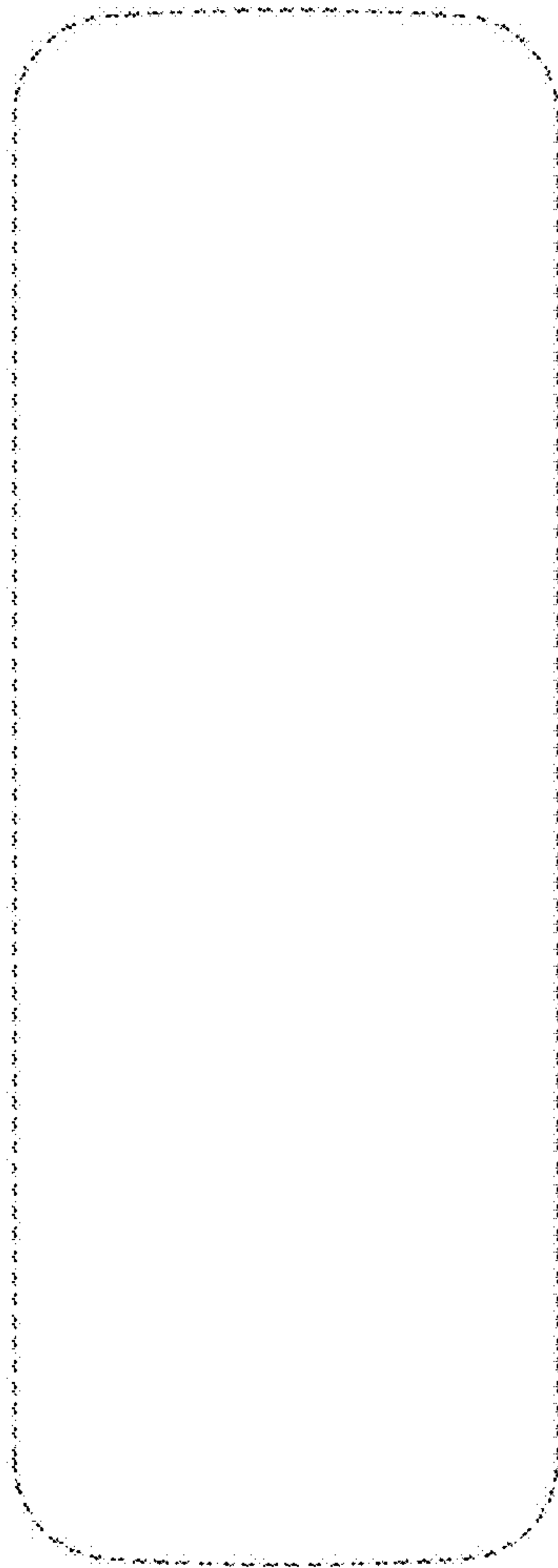




1.2



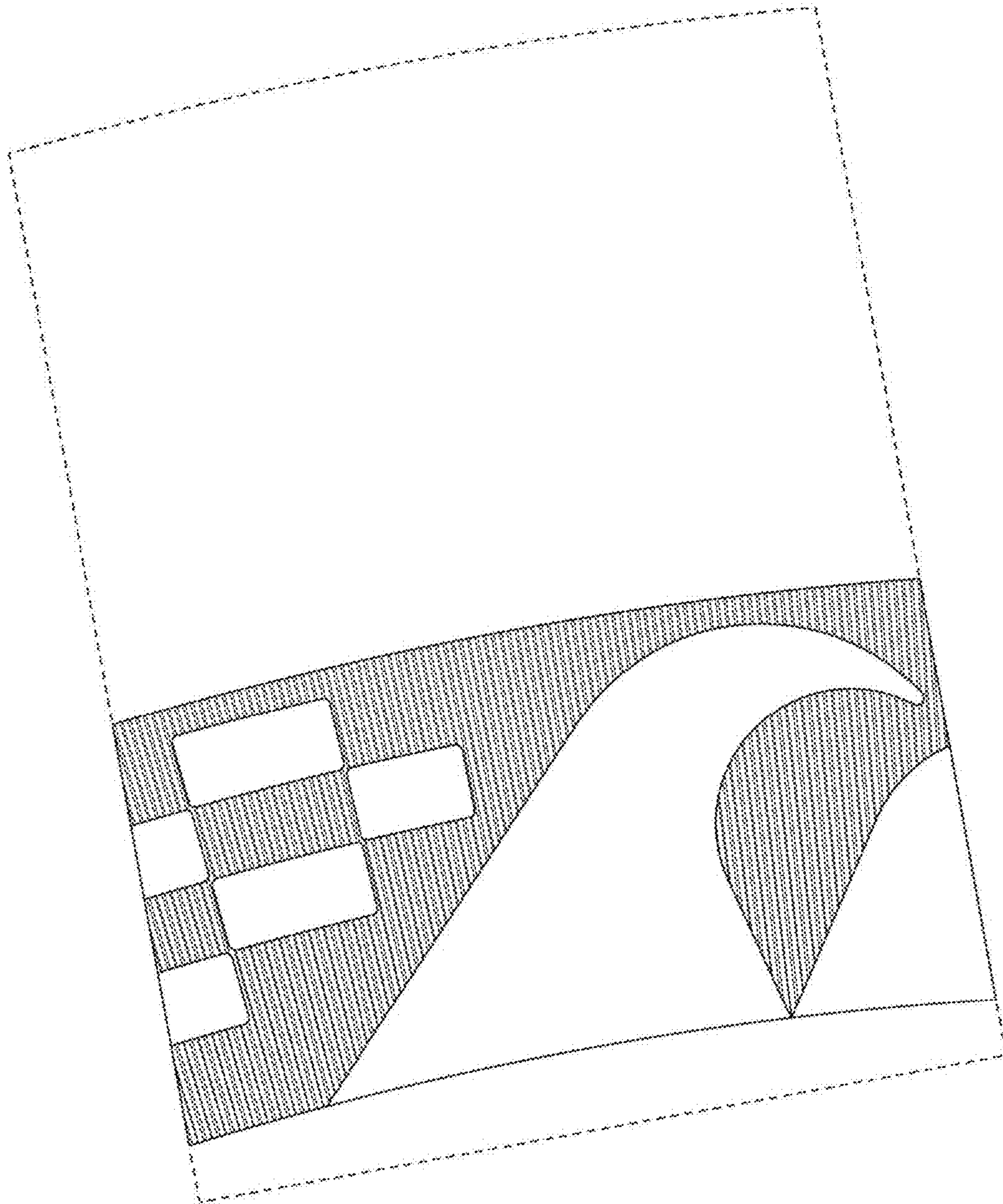
1.3



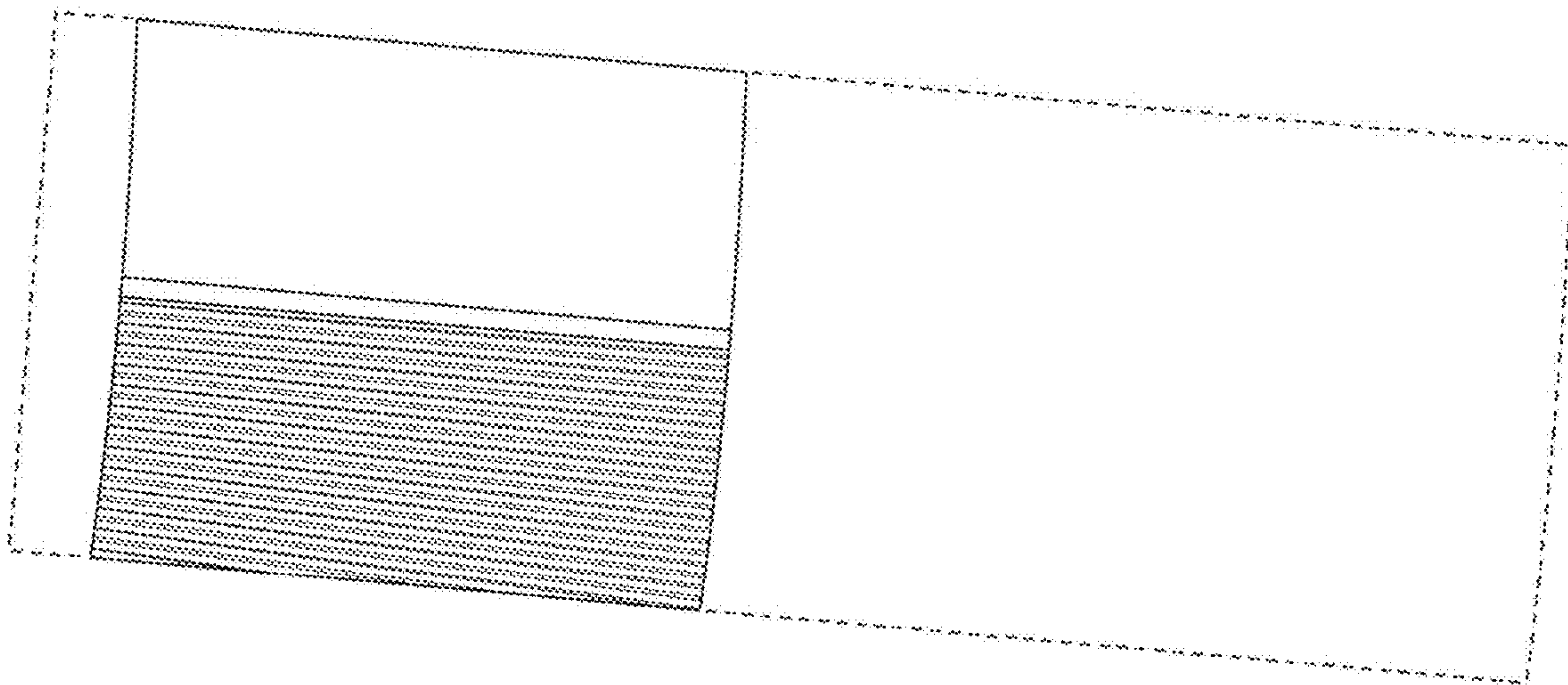
1.4



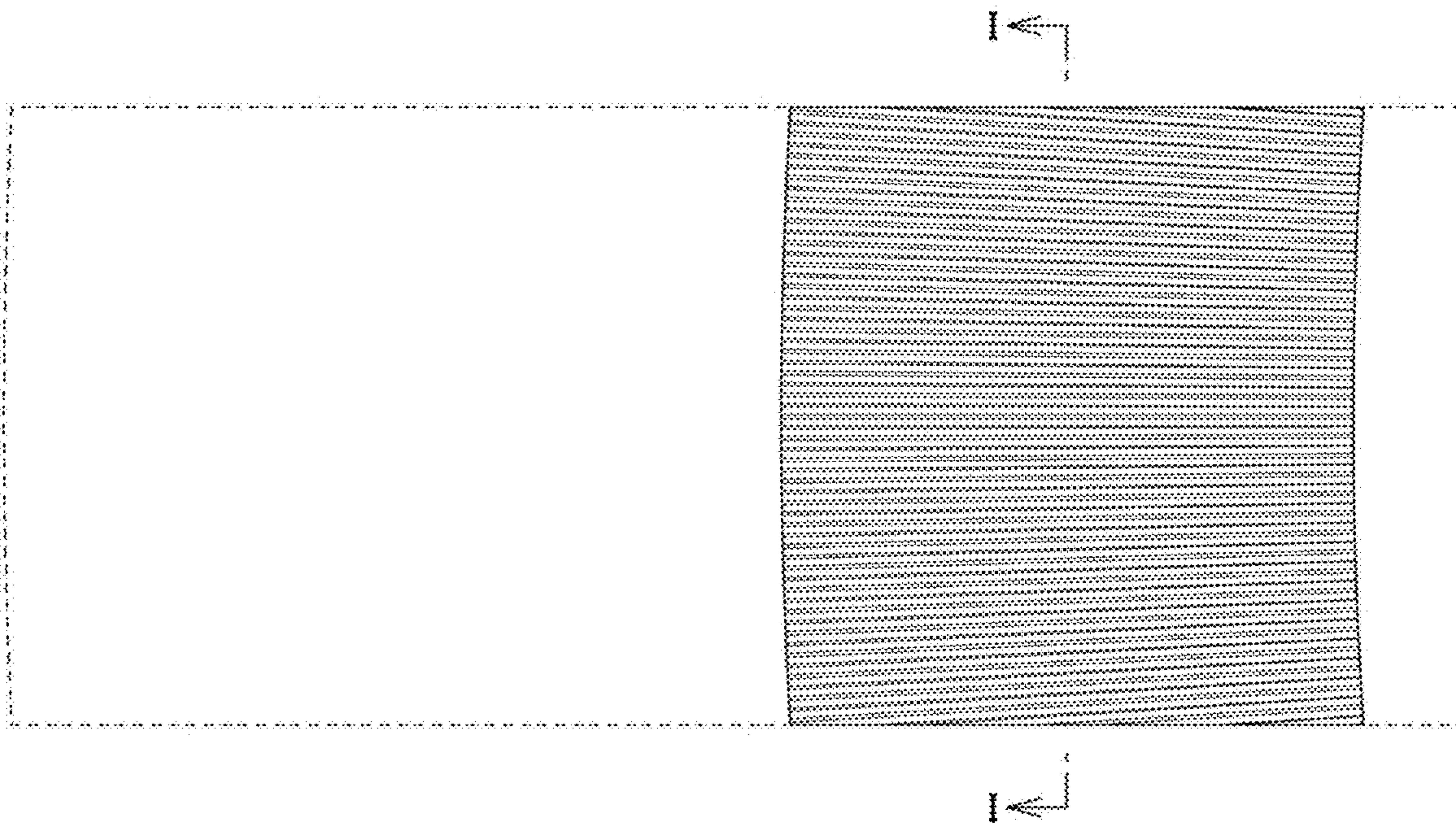
1.5



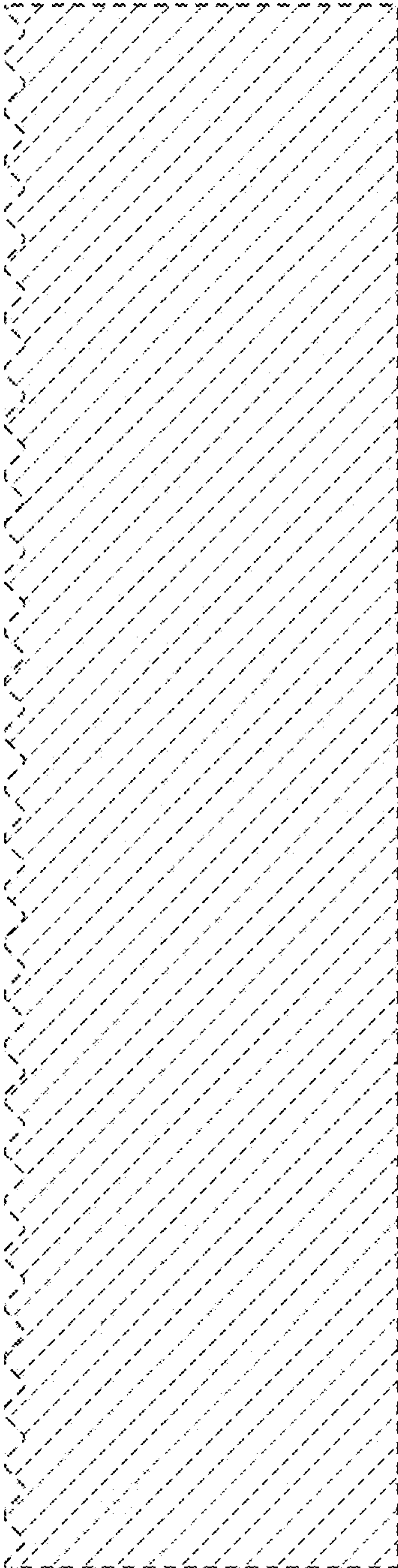
1.6



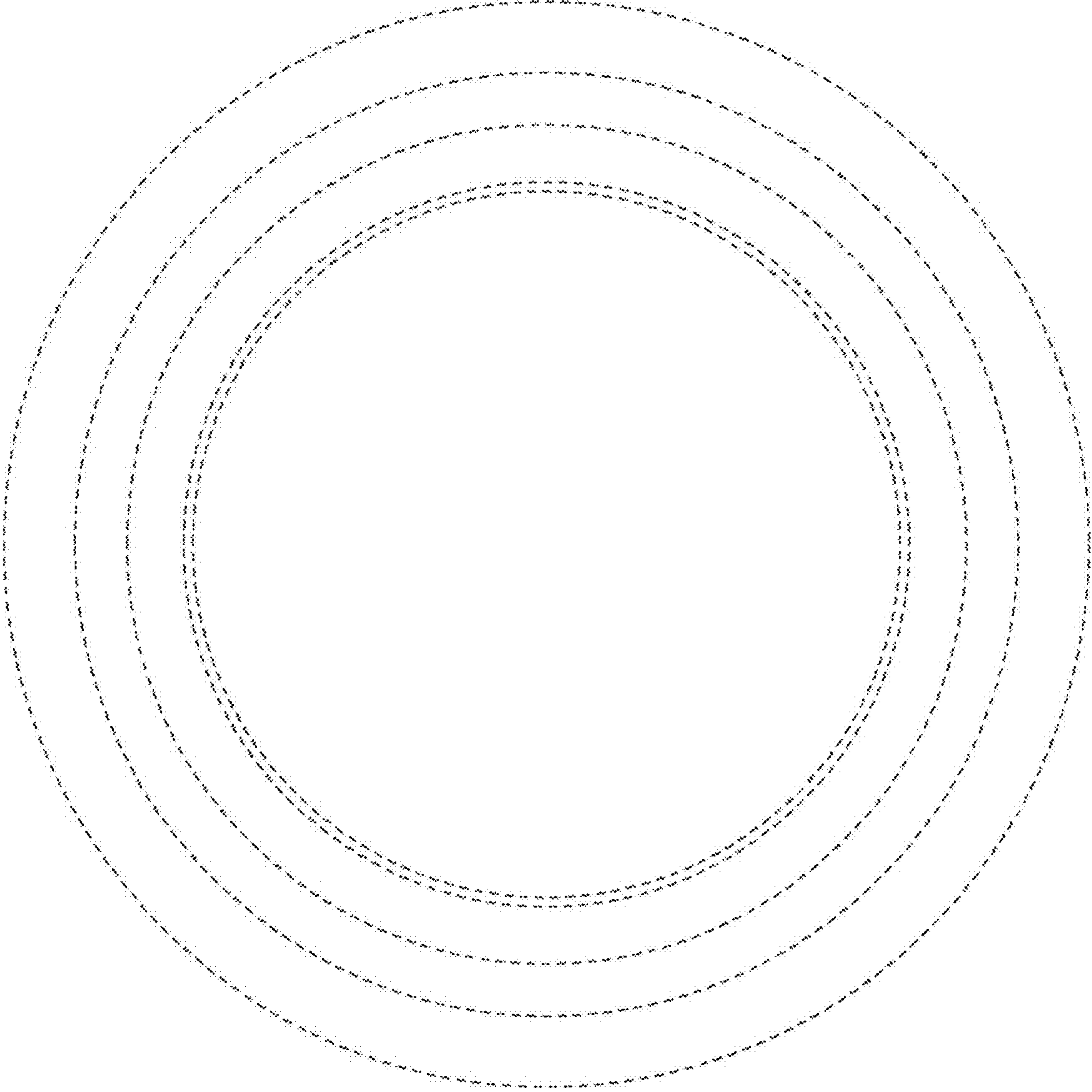
1.7



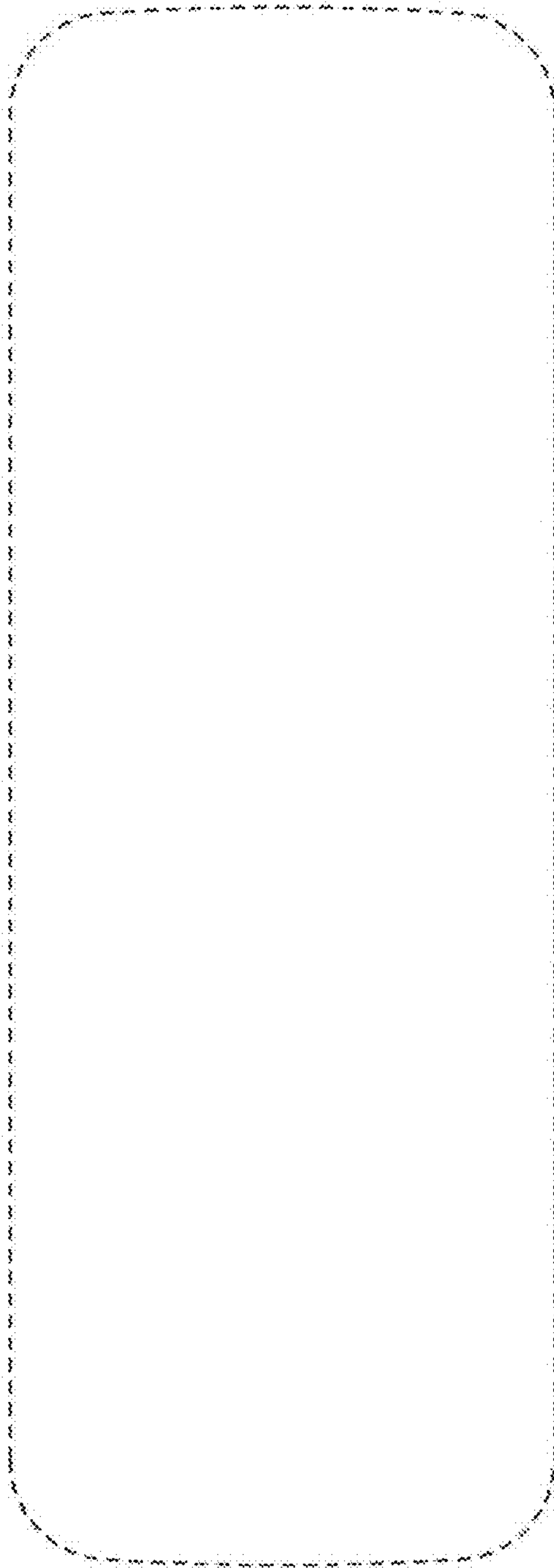
1.8



1.9



1.10



1.11

