



US00D864851S

(12) **United States Design Patent**
Kuwano

(10) **Patent No.:** **US D864,851 S**

(45) **Date of Patent:** **** Oct. 29, 2019**

(54) **TIRE**
(71) Applicant: **TOYO TIRE & RUBBER CO., LTD.**,
Itami-shi, Hyogo (JP)
(72) Inventor: **Shingo Kuwano**, Itami (JP)
(73) Assignee: **Toyo Tire & Rubber Co., Ltd.**,
Itami-shi (JP)
(**) Term: **15 Years**

D639,728 S *	6/2011	Ohashi	D12/605
D668,602 S *	10/2012	Miyasaka	D12/605
D673,900 S *	1/2013	Kuwano	D12/605
D681,547 S *	5/2013	Sato	D12/605
D689,815 S *	9/2013	Kuwano	D12/605
D707,621 S *	6/2014	Tokizaki	D12/605
D708,120 S *	7/2014	Iwabuchi	D12/605
D738,818 S *	9/2015	Sato	D12/605
D777,094 S *	1/2017	Takahashi	D12/605
D778,816 S *	2/2017	Tokizaki	D12/605
D806,009 S *	12/2017	Ishikawa	D12/605
D809,453 S *	2/2018	Sato	D12/604

* cited by examiner

(21) Appl. No.: **29/667,258**

(22) Filed: **Oct. 19, 2018**

(30) **Foreign Application Priority Data**

Apr. 26, 2018 (JP) 2018-009337

(51) **LOC (12) Cl.** **12-15**

(52) **U.S. Cl.**
USPC **D12/605**

(58) **Field of Classification Search**
USPC D12/604, 605
CPC B60C 13/00; B60C 1/00
See application file for complete search history.

(56) **References Cited**

U.S. PATENT DOCUMENTS

D386,455 S *	11/1997	Clementz	D12/605
D413,289 S *	8/1999	Ratliff, Jr.	D12/605
D452,203 S *	12/2001	Kajikawa	D12/605
D477,810 S *	7/2003	Budich	D12/605
D504,867 S *	5/2005	Maxwell	D12/605
D549,166 S *	8/2007	Lee	D12/605
D575,222 S *	8/2008	Fujita	D12/605
D596,116 S *	7/2009	Fujita	D12/605
D609,176 S *	2/2010	Fujita	D12/605
D609,177 S *	2/2010	Osaka	D12/605
D611,403 S *	3/2010	Kuwano	D12/605
D611,894 S *	3/2010	Scheifele	D12/605

Primary Examiner — Michelle E. Wilson

Assistant Examiner — Clese Moore, Jr.

(74) *Attorney, Agent, or Firm* — Sterne, Kessler,
Goldstein & Fox P.L.L.C.

(57) **CLAIM**

The ornamental design for a tire, as shown and described.

DESCRIPTION

FIG. 1 is a front perspective view of a tire showing the claimed design;

FIG. 2 is a front view thereof;

FIG. 3 is a rear view thereof;

FIG. 4 is a top plan view thereof, the bottom plan view being the same;

FIG. 5 is a right side view thereof, the left side view being the same;

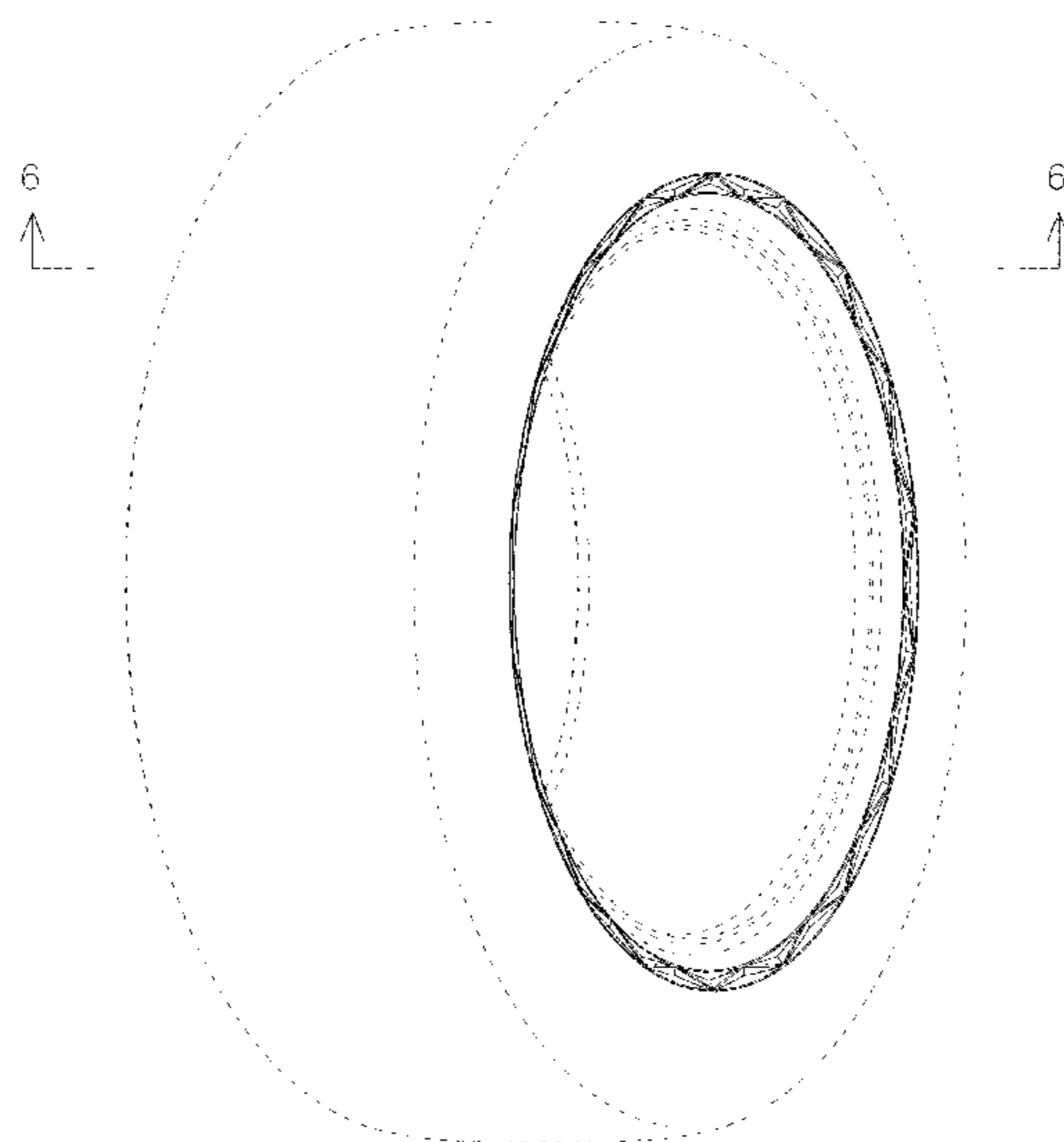
FIG. 6 is an enlarged view taken along line 6-6 in FIG. 1;

FIG. 7 is an enlarged view of the portion between 7-7 and 7'-7' in FIG. 2; and,

FIG. 8 is an enlarged cross-sectional view taken along line 8-8 in FIG. 7.

In the drawings, the broken lines show portions of the tire that form no part of the claimed design.

1 Claim, 8 Drawing Sheets



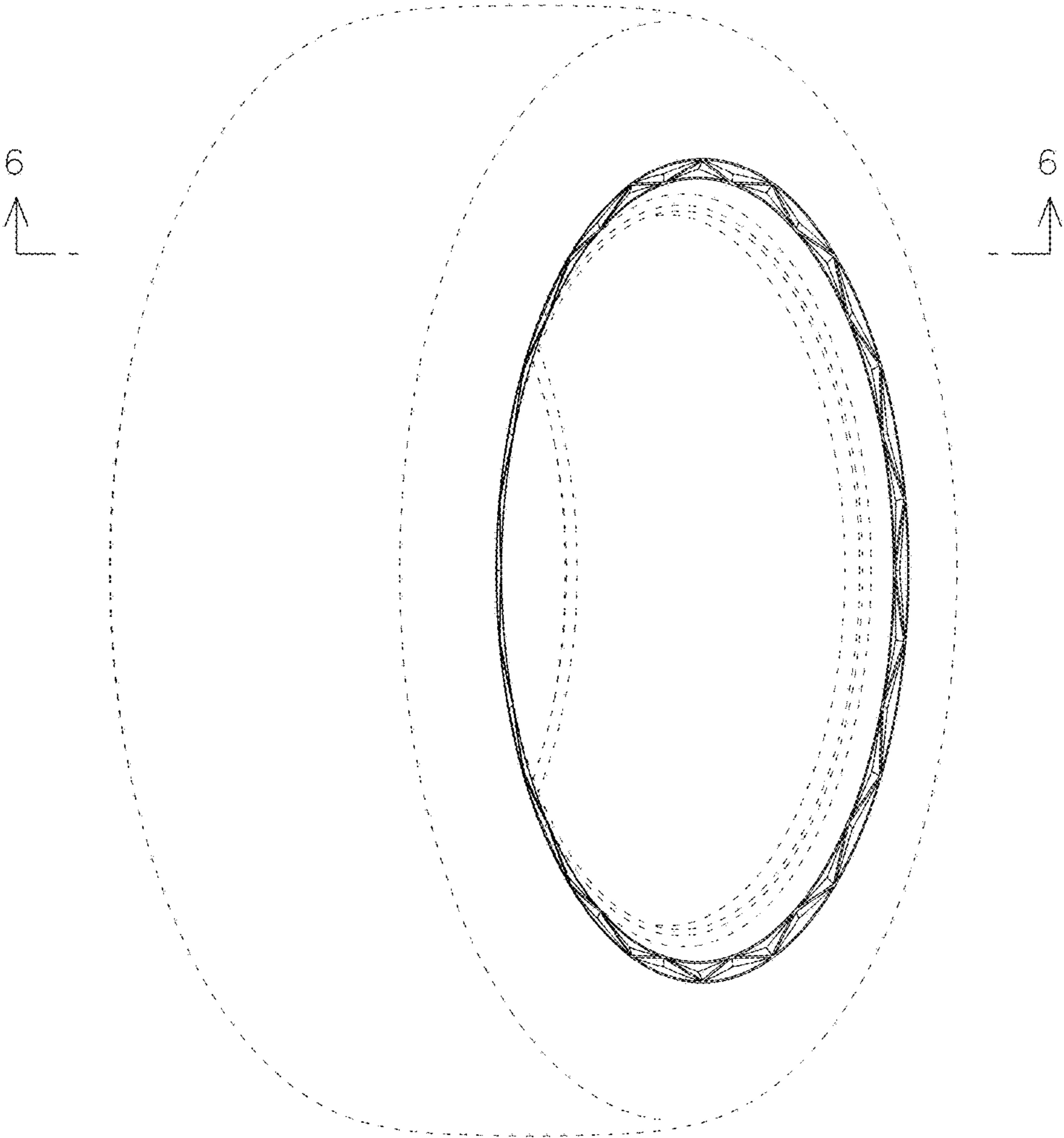


FIG. 1

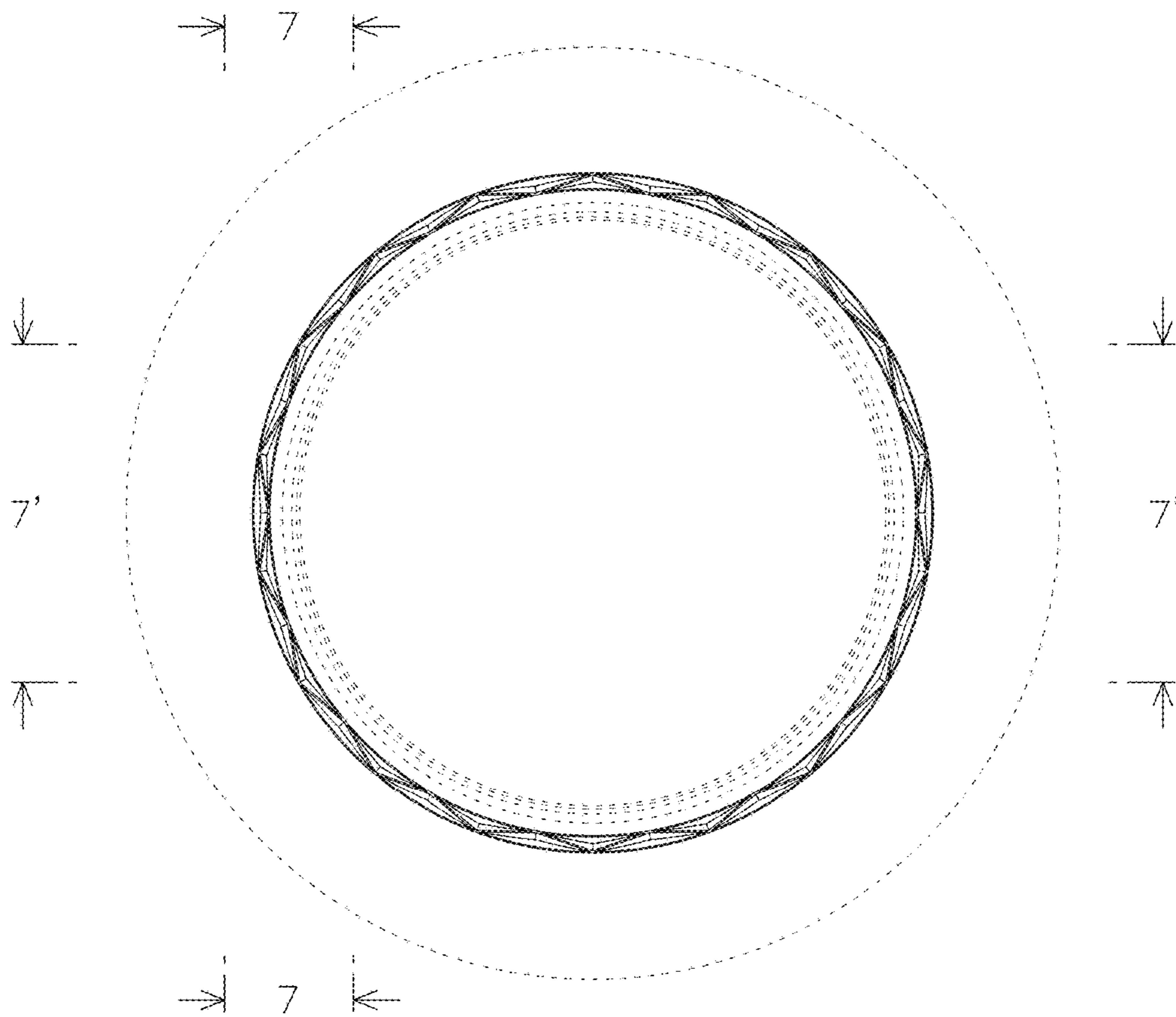


FIG. 2

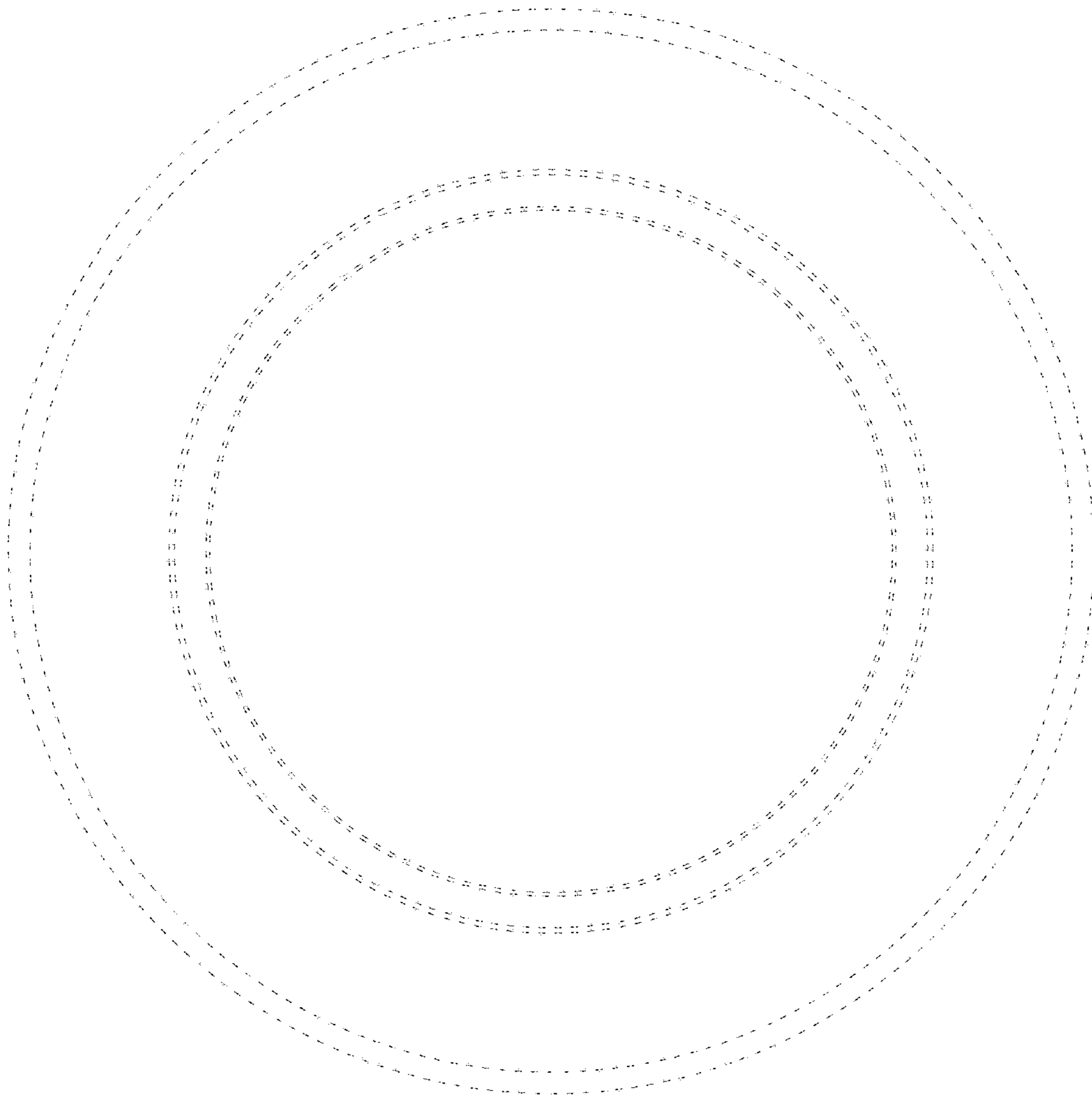


FIG. 3



FIG. 4

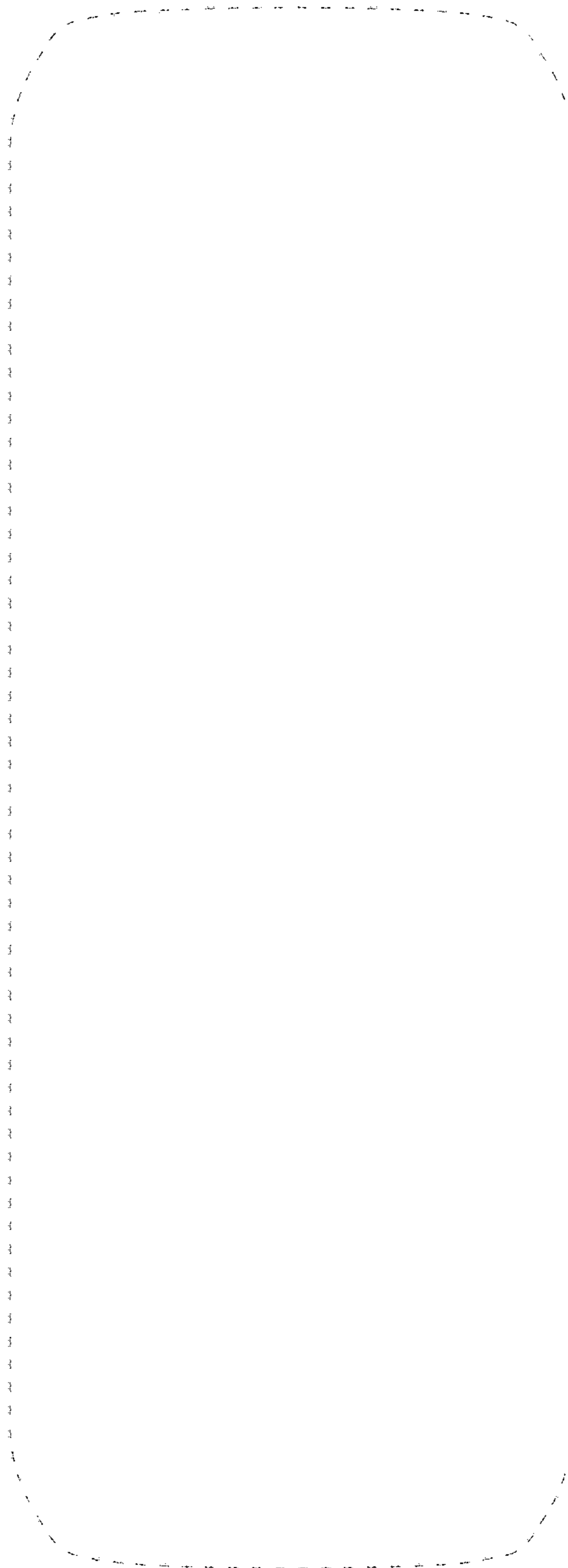


FIG. 5

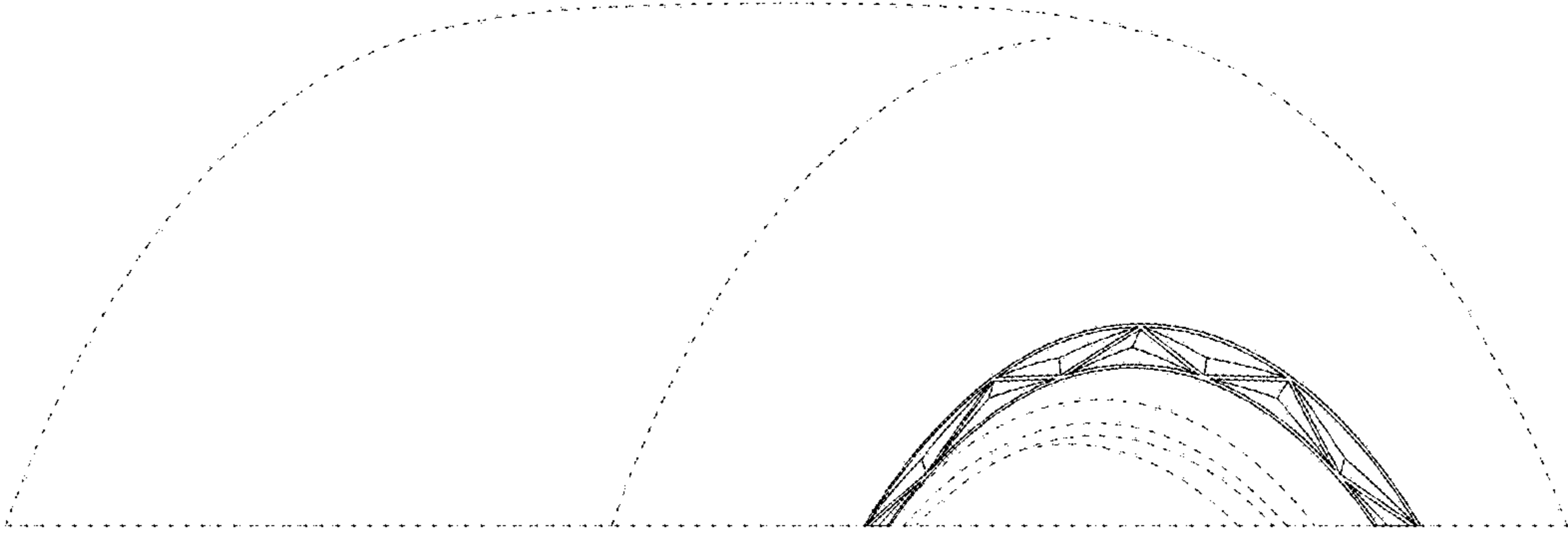


FIG. 6

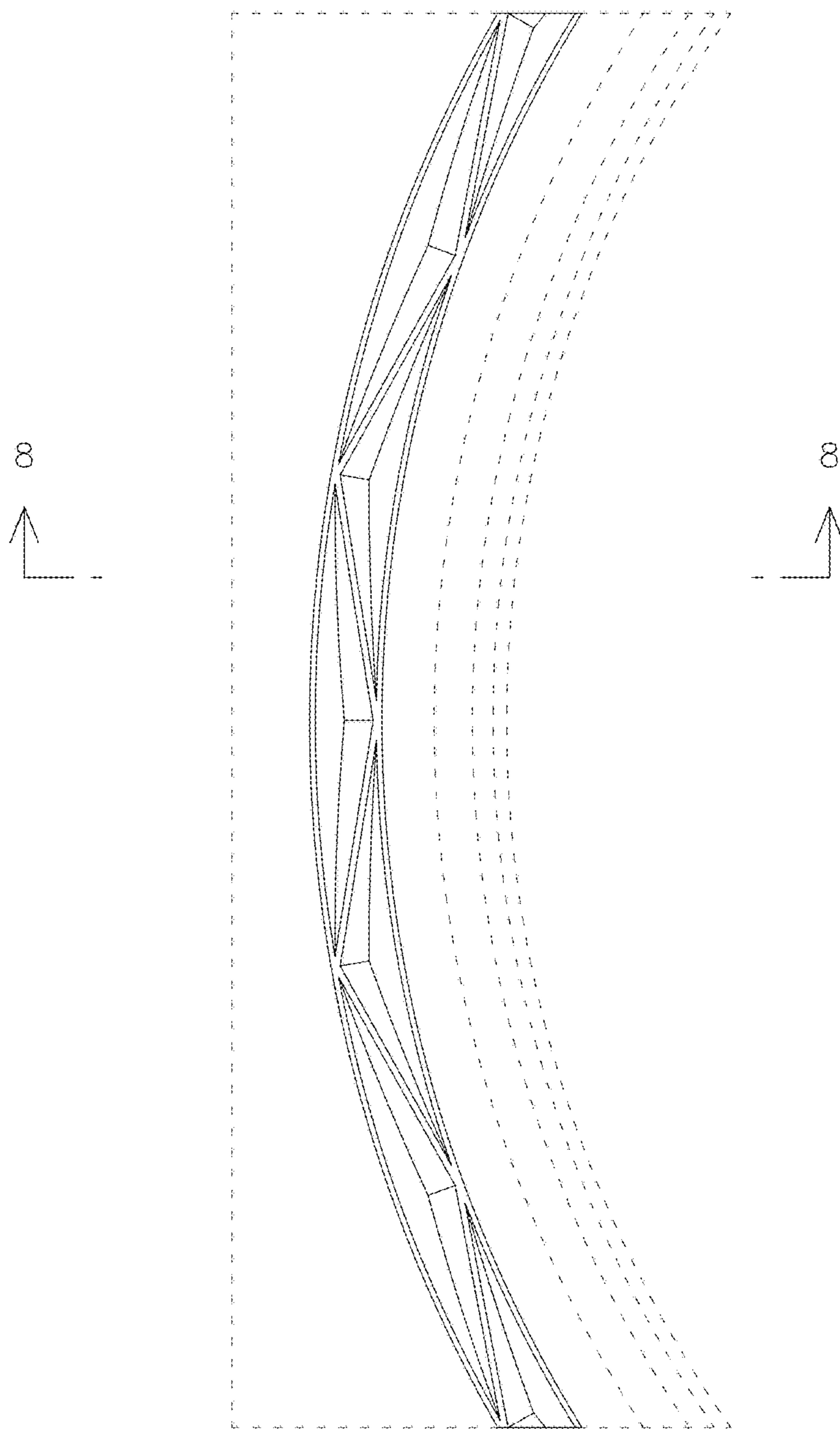


FIG. 7

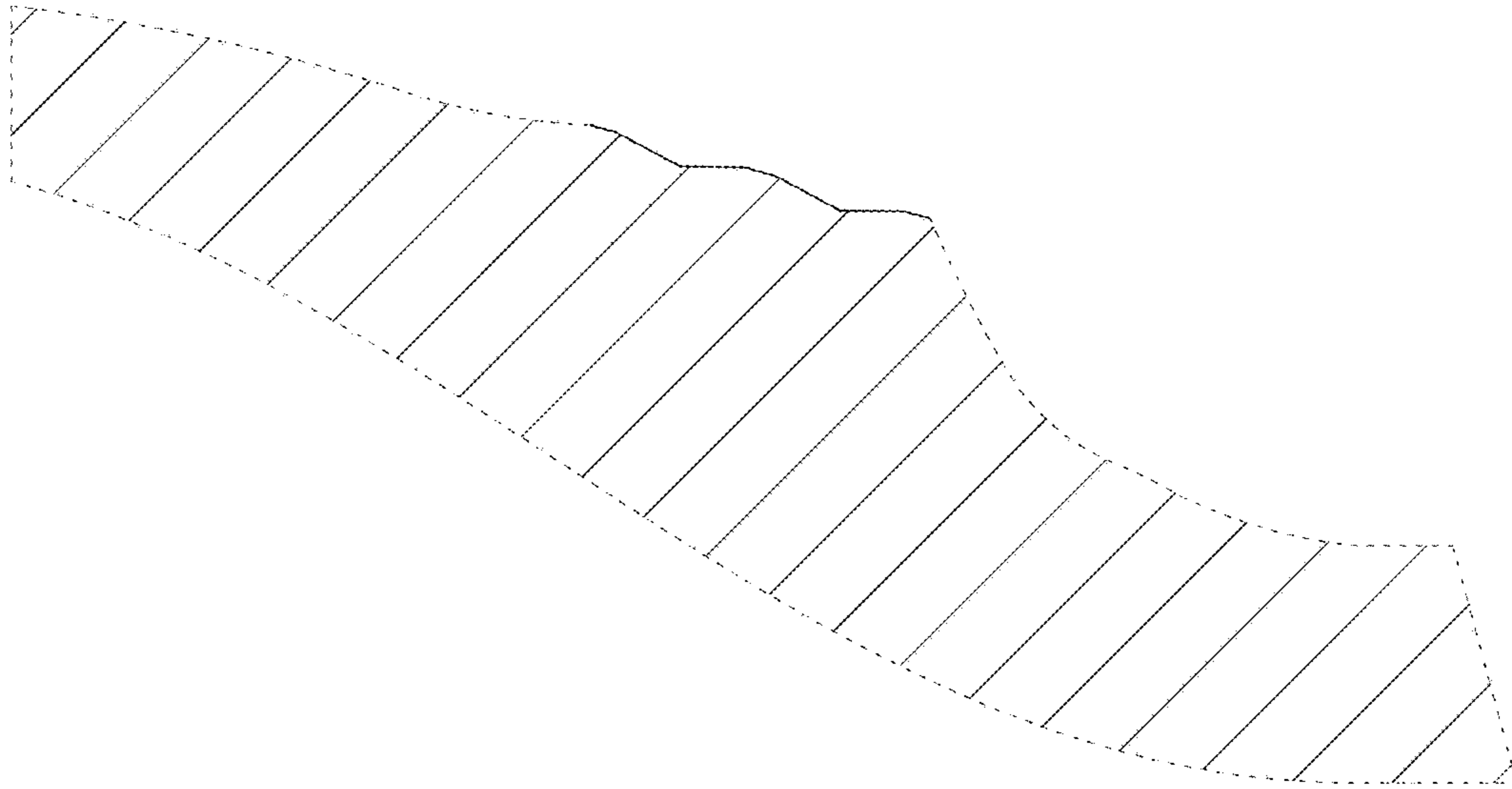


FIG. 8