

US00D864843S

(12) **United States Design Patent**  
**Takahashi**

(10) **Patent No.:** **US D864,843 S**

(45) **Date of Patent:** **\*\* Oct. 29, 2019**

(54) **TIRE**  
(71) Applicant: **TOYO TIRE & RUBBER CO., LTD.**,  
Itami-shi, Hyogo (JP)  
(72) Inventor: **Soichi Takahashi**, Itami (JP)  
(73) Assignee: **Toyo Tire & Rubber Co., Ltd.**,  
Itami-shi (JP)

D740,207 S \* 10/2015 Yoshida ..... D12/553  
D777,088 S \* 1/2017 Honda ..... D12/553  
D782,398 S \* 3/2017 Ding ..... D12/564  
D786,180 S \* 5/2017 Honda ..... D12/552  
D810,003 S \* 2/2018 Thieman ..... D12/545  
D820,775 S \* 6/2018 Proietti ..... D12/553  
D824,325 S \* 7/2018 Hutz ..... D12/553  
D828,285 S \* 9/2018 Jeong ..... D12/552

(Continued)

(\*\*) Term: **15 Years**

(21) Appl. No.: **29/662,969**

(22) Filed: **Sep. 11, 2018**

(30) **Foreign Application Priority Data**

Mar. 15, 2018 (JP) ..... 2018-005416

(51) **LOC (12) Cl.** ..... **12-15**

(52) **U.S. Cl.**  
USPC ..... **D12/545**

(58) **Field of Classification Search**  
USPC ..... D12/505-567  
CPC ..... B60C 11/0302; B60C 2011/0358; B60C  
2011/0374; B60C 2011/0386; B60C  
2011/0388

See application file for complete search history.

(56) **References Cited**

**U.S. PATENT DOCUMENTS**

D454,523 S \* 3/2002 Traulle ..... D12/553  
D492,245 S \* 6/2004 Iga ..... D12/553  
D507,233 S \* 7/2005 Daisho ..... D12/559  
D607,400 S \* 1/2010 Kang ..... D12/552  
D607,810 S \* 1/2010 Oizumi ..... D12/552  
D610,963 S \* 3/2010 Ochi ..... D12/552  
D612,798 S \* 3/2010 Miyazaki ..... D12/553  
D667,778 S \* 9/2012 Drake ..... D12/553  
D705,718 S \* 5/2014 Hirama ..... D12/553  
D720,685 S \* 1/2015 Fontaine ..... D12/565

**FOREIGN PATENT DOCUMENTS**

JP 939413-001 S 11/1995  
JP 0939413 S 11/1995

(Continued)

*Primary Examiner* — George D. Kirschbaum  
*Assistant Examiner* — Joseph J Kukella  
(74) *Attorney, Agent, or Firm* — Sterne, Kessler,  
Goldstein & Fox P.L.L.C.

(57) **CLAIM**

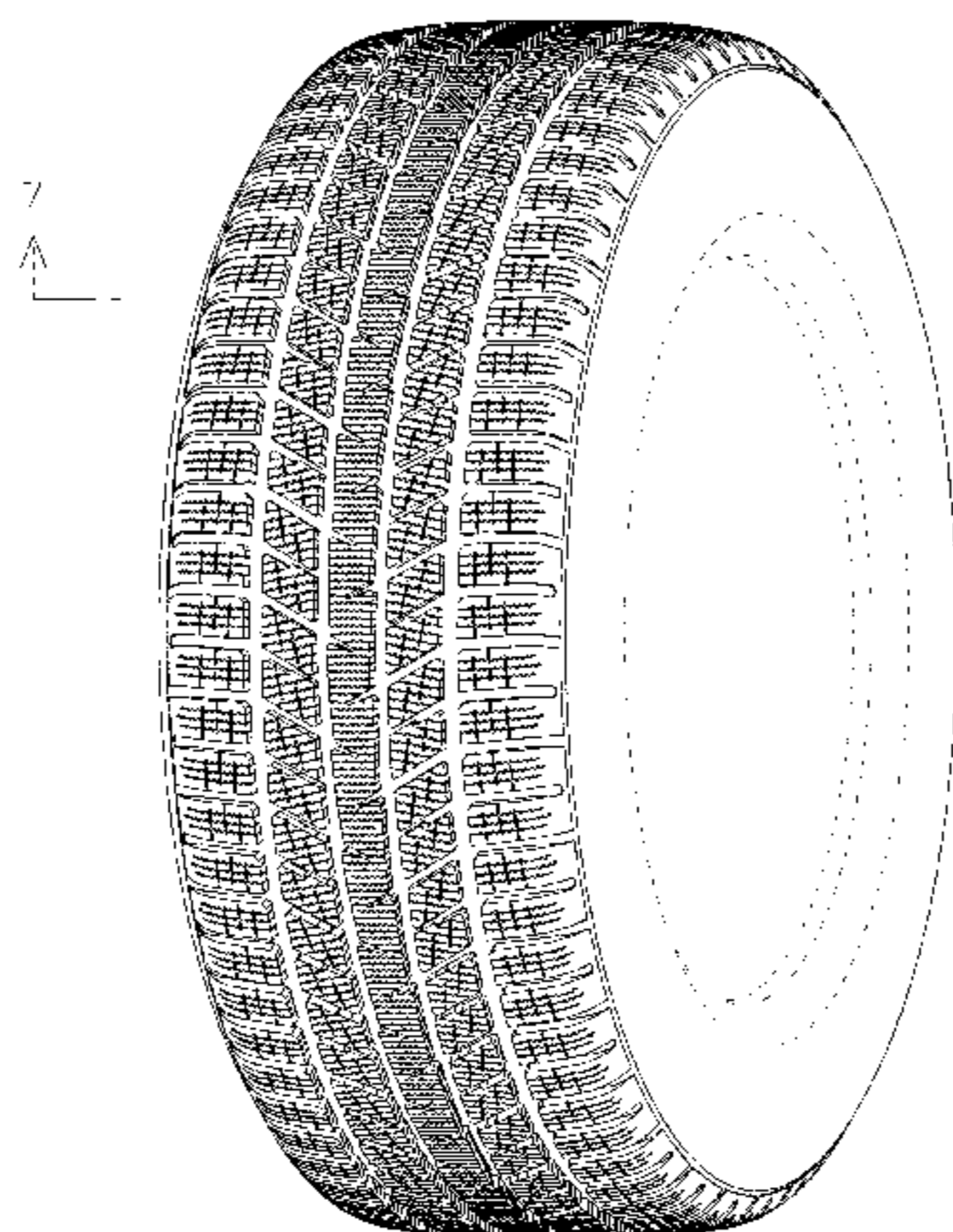
The ornamental design for a tire, as shown and described.

**DESCRIPTION**

FIG. 1 is a front perspective view of a tire showing the claimed design;  
FIG. 2 is a front view thereof;  
FIG. 3 is a rear view thereof;  
FIG. 4 is a top plan view thereof, the bottom plan view being the same;  
FIG. 5 is a right side view thereof;  
FIG. 6 is a left side view thereof;  
FIG. 7 is an enlarged view taken along line 7-7 in FIG. 1;  
FIG. 8 is an enlarged view of the portion 8-8 in FIG. 2; and,  
FIG. 9 is a cross-sectional view taken along line 9-9 in FIG. 8.

In the drawings, the broken lines show portions of the tire that form no part of the claimed design.

**1 Claim, 9 Drawing Sheets**



(56)

**References Cited**

U.S. PATENT DOCUMENTS

D830,287 S \* 10/2018 Proietti ..... D12/564  
D853,940 S \* 7/2019 Houchard ..... D12/552

FOREIGN PATENT DOCUMENTS

JP 1385441 S 4/2010  
JP 1389167 S 8/2012

\* cited by examiner

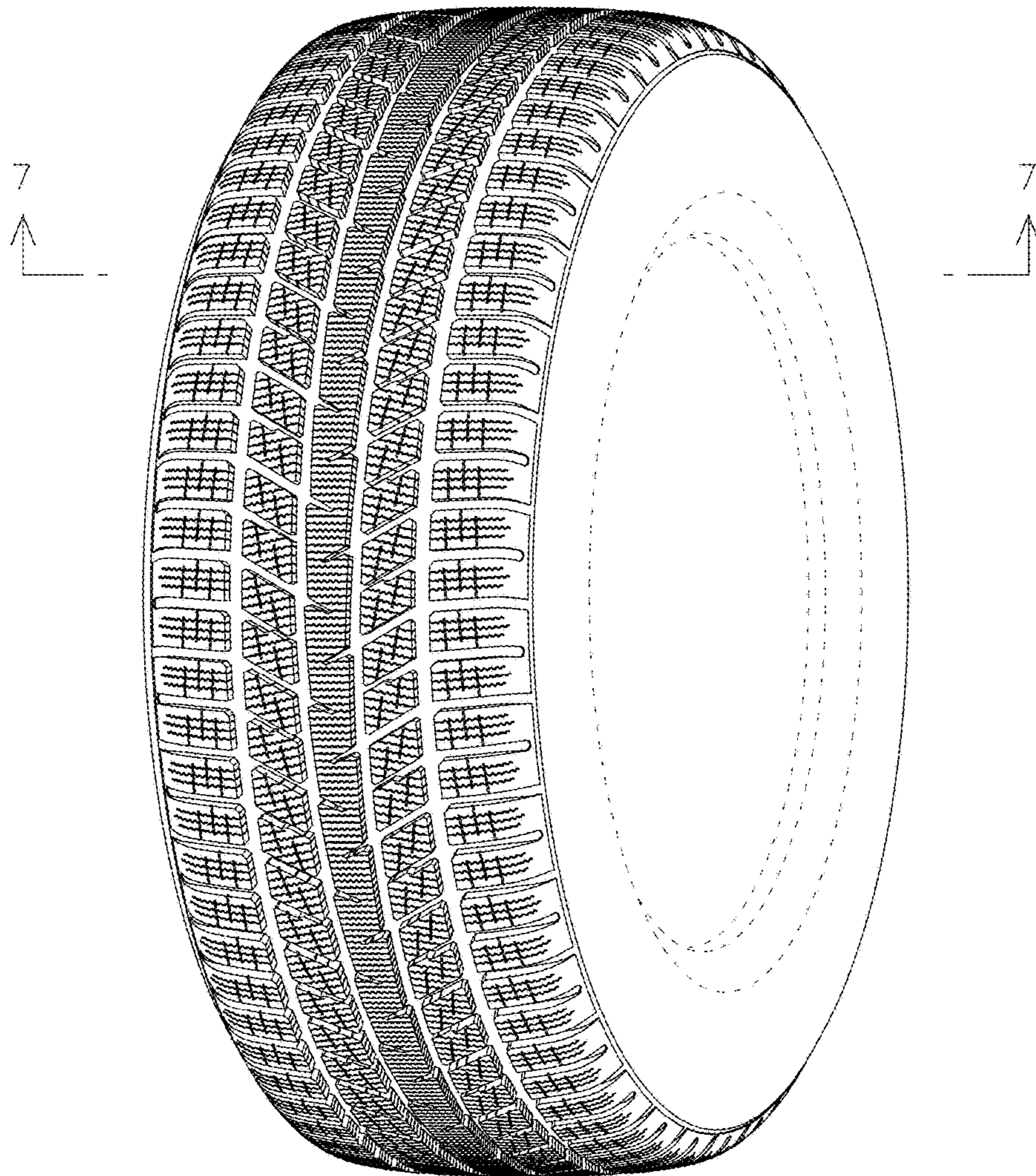


FIG. 1

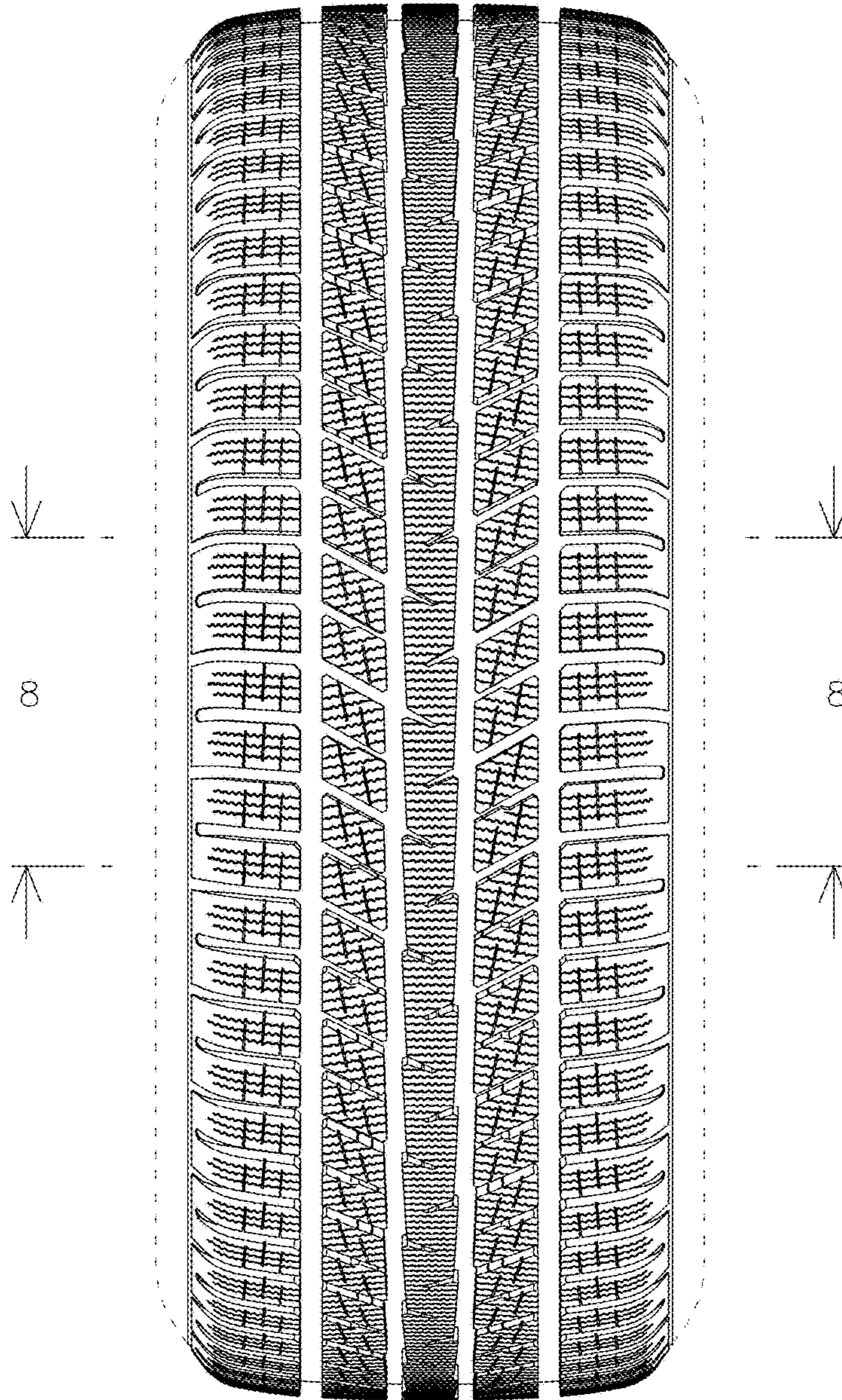


FIG. 2

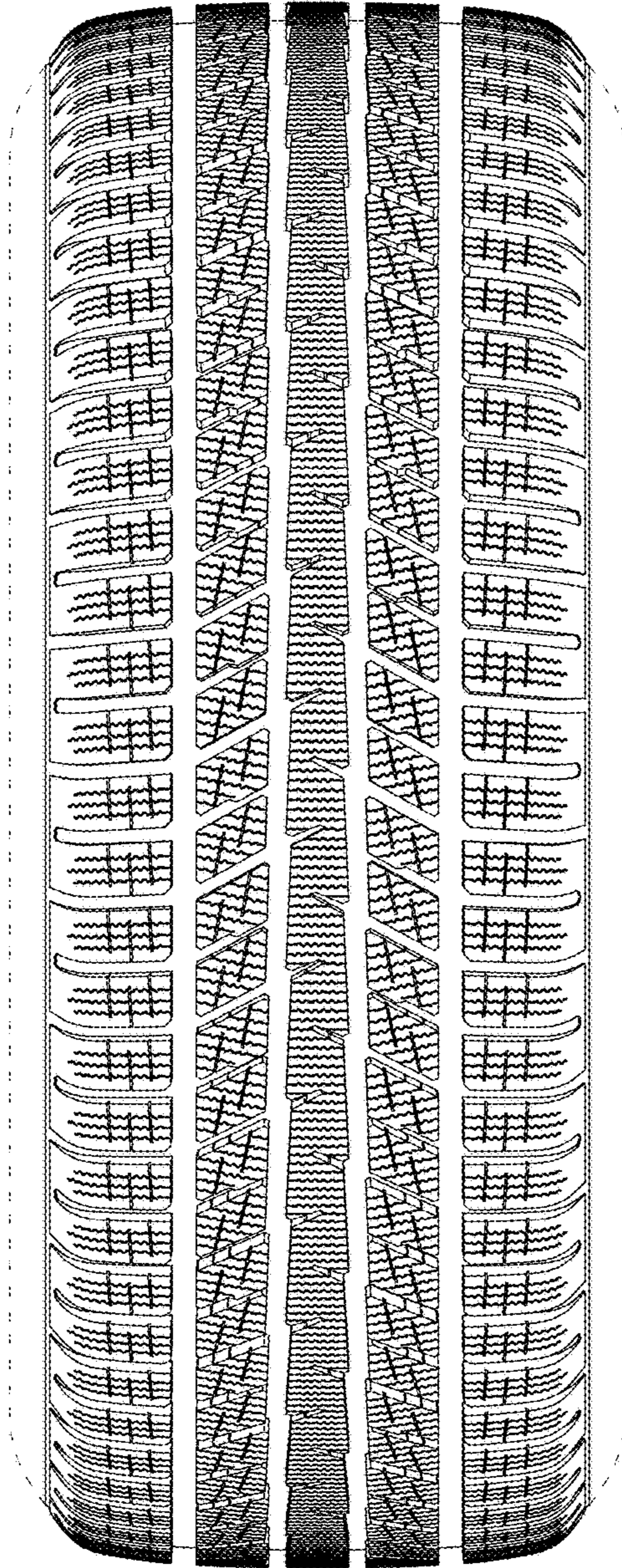


FIG. 3

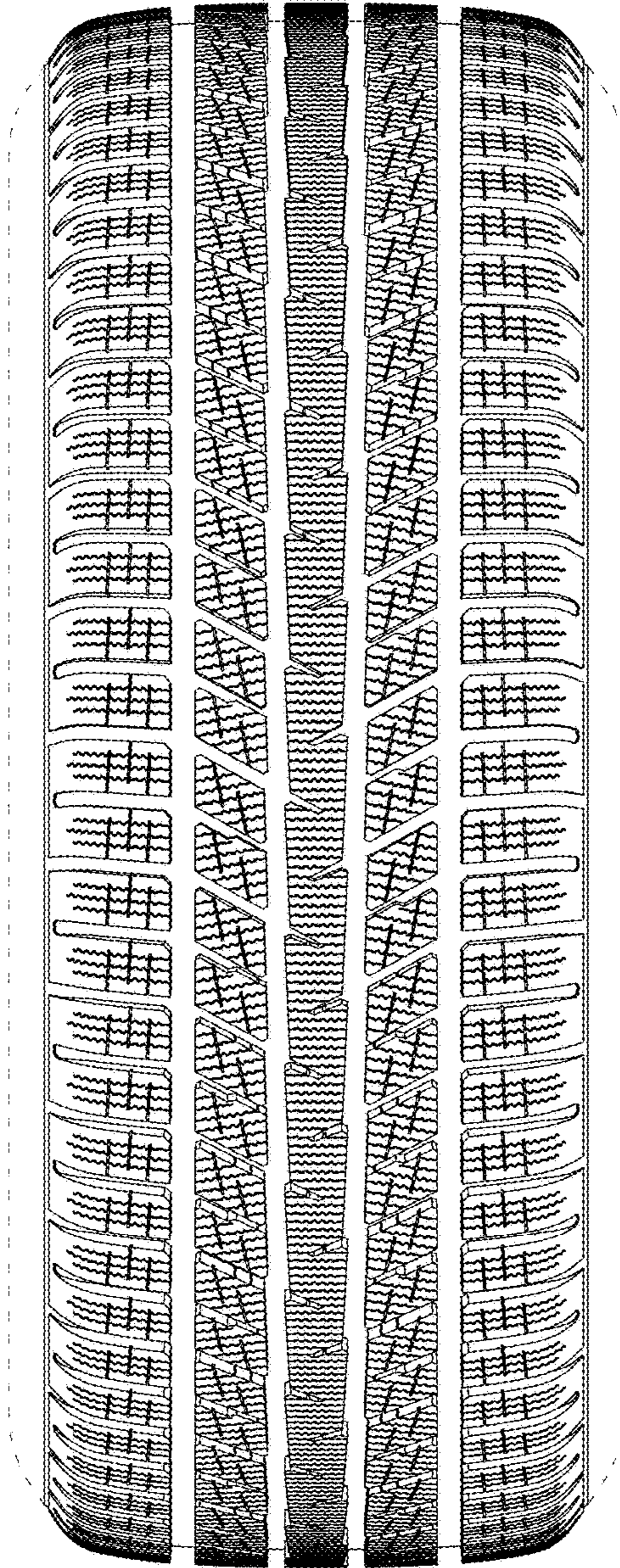


FIG. 4

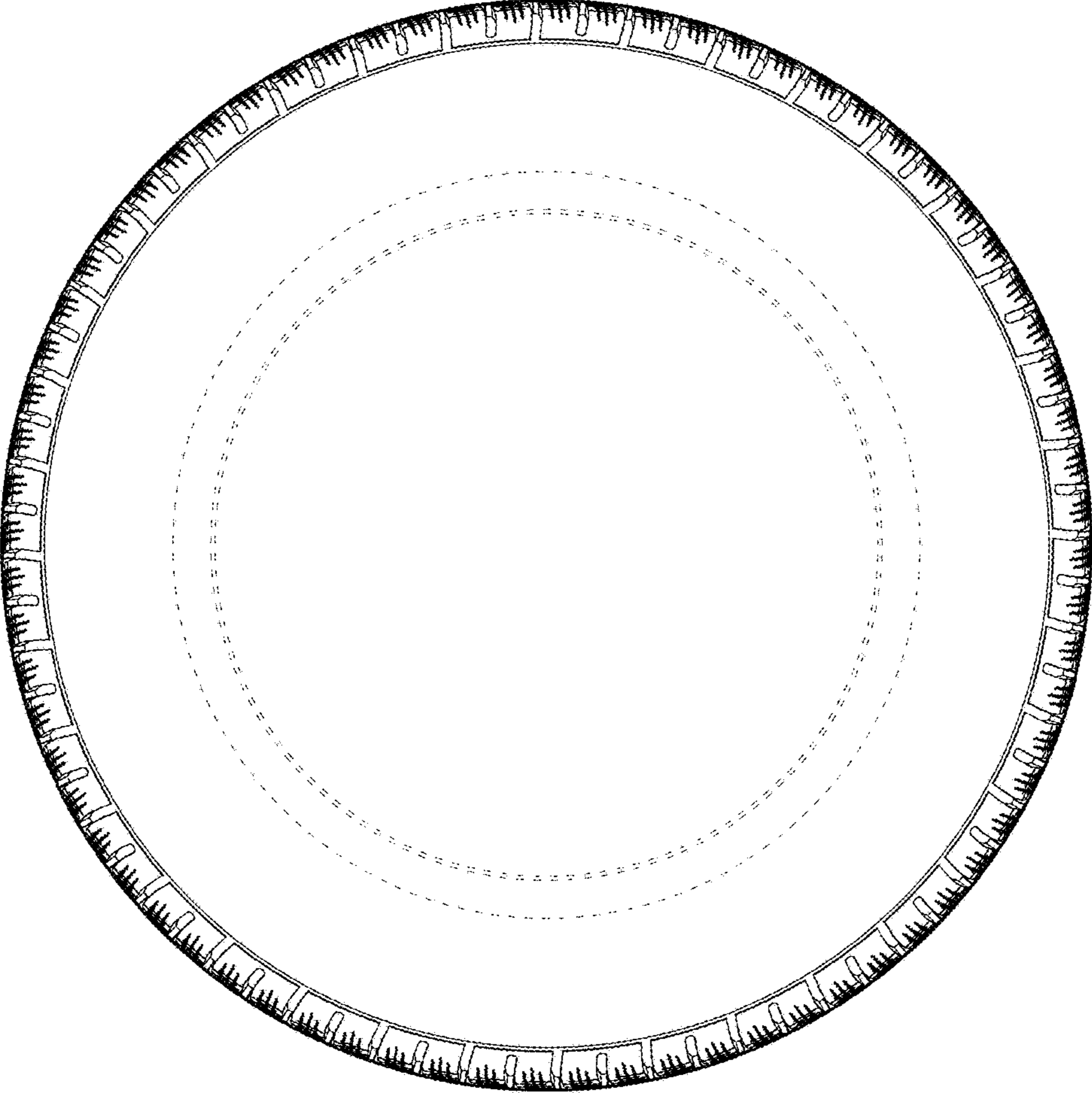


FIG. 5

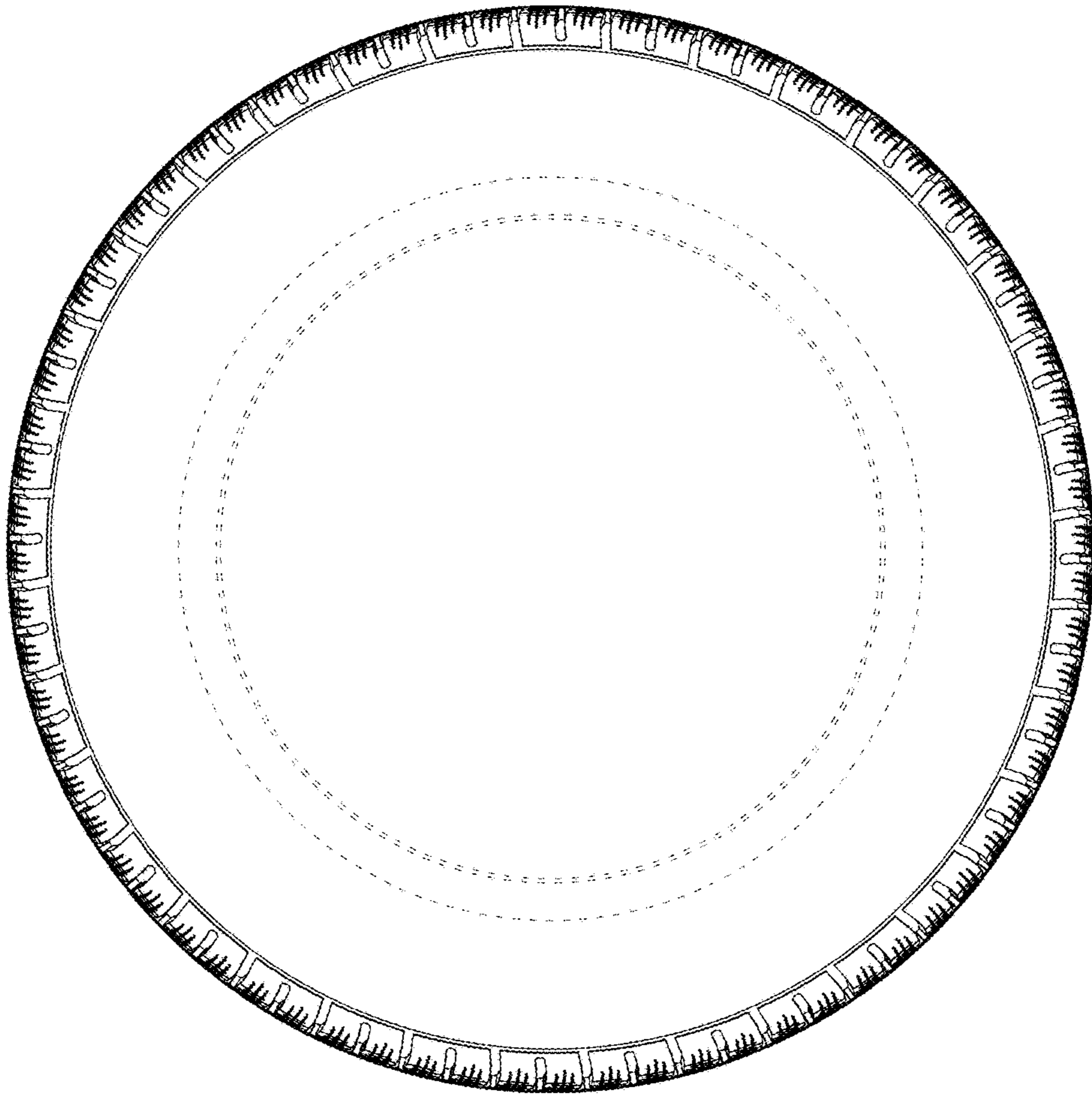


FIG. 6



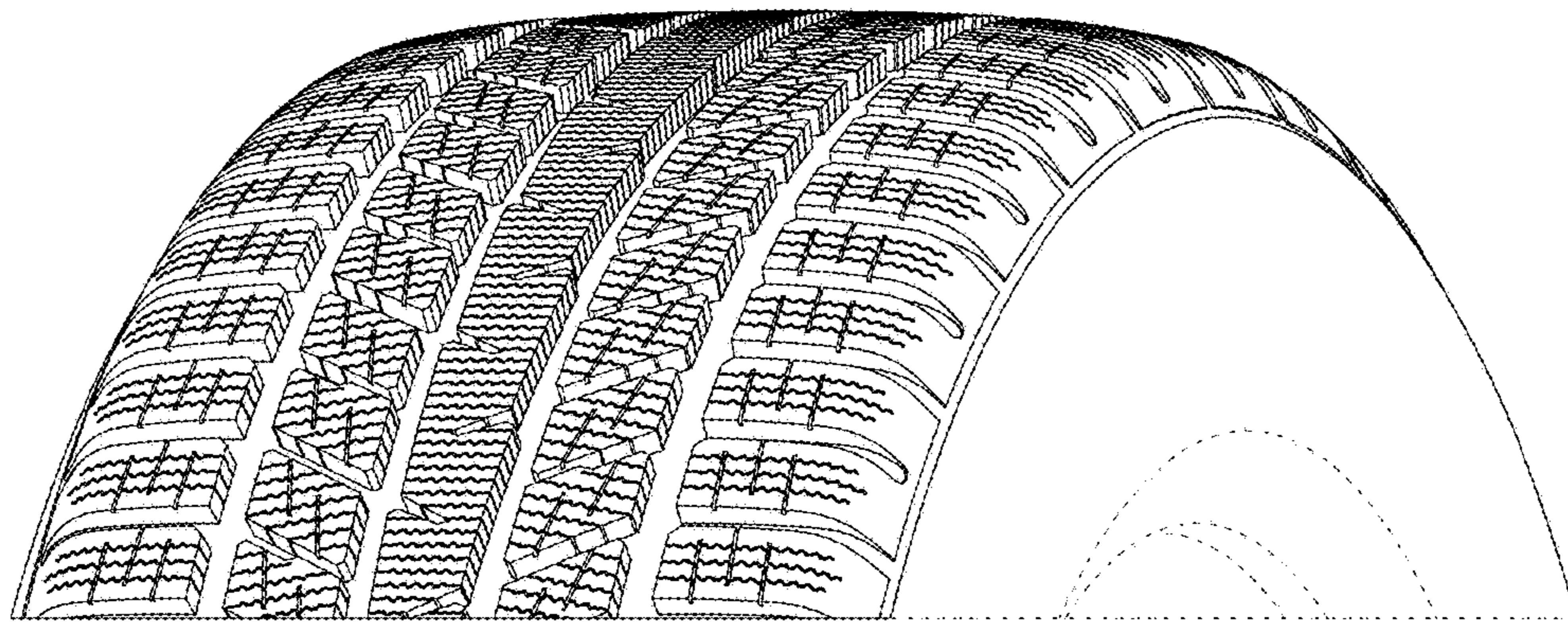


FIG. 7

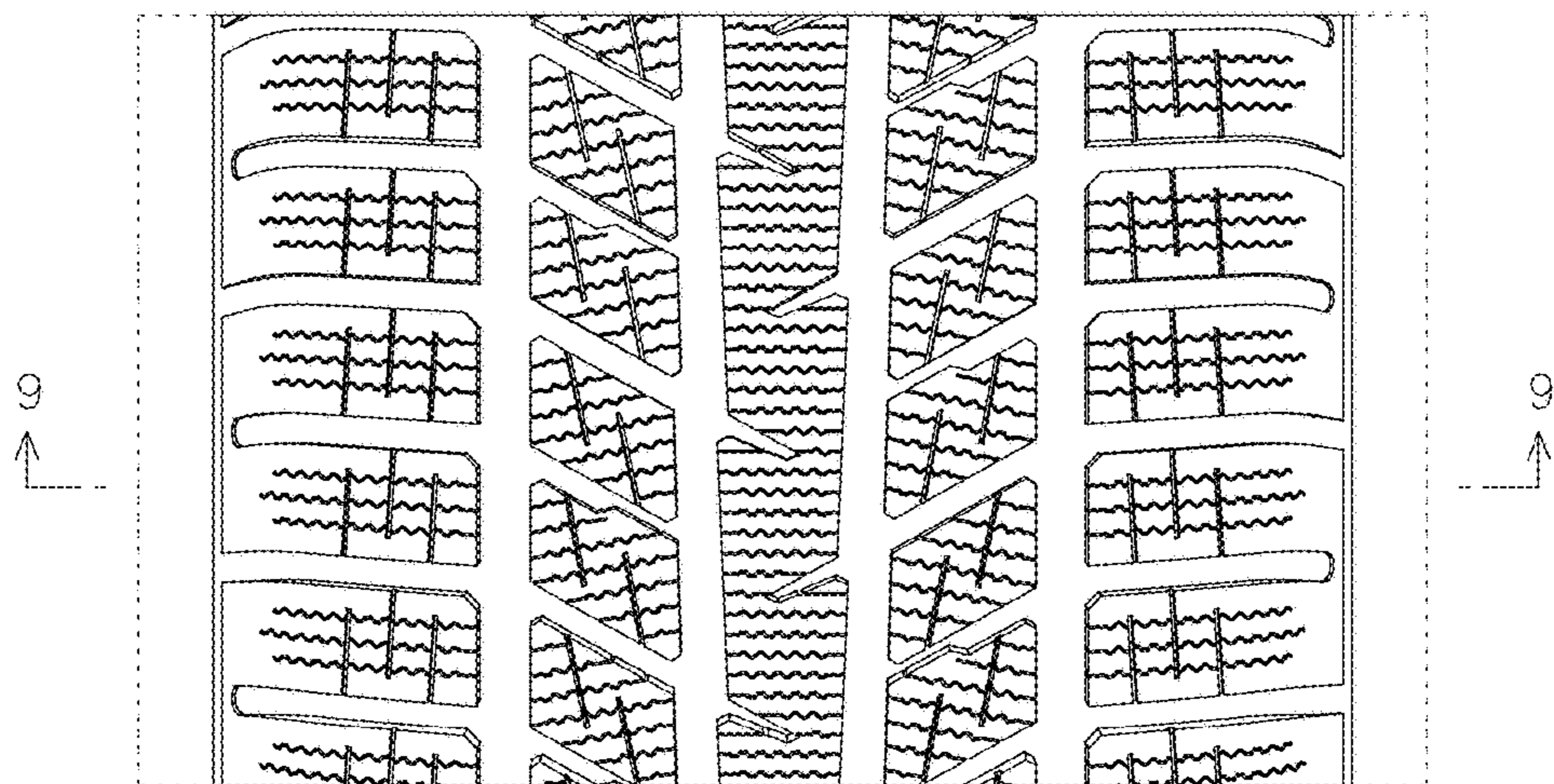


FIG. 8

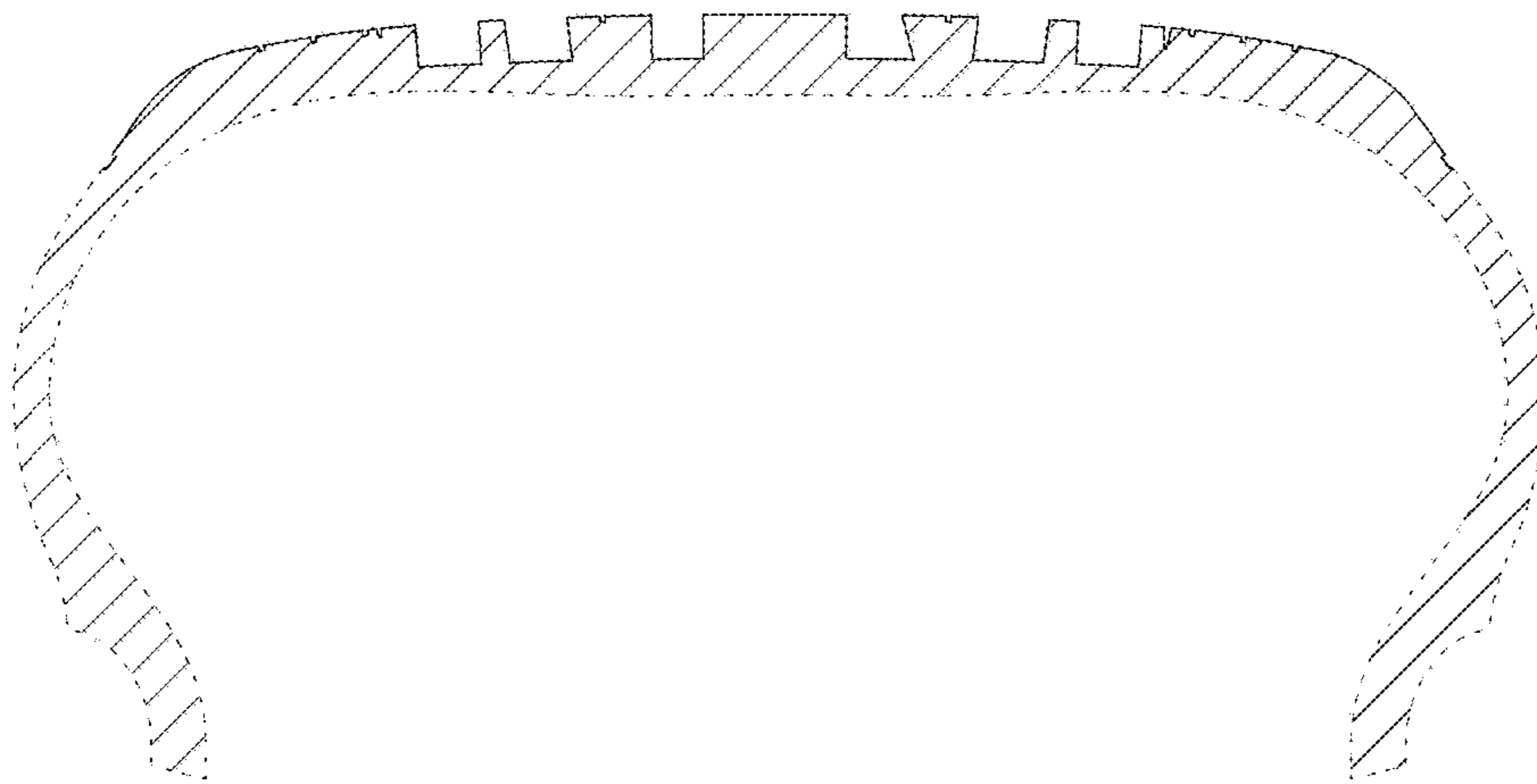


FIG. 9