



US00D864842S

(12) **United States Design Patent**
Hill et al.

(10) **Patent No.:** **US D864,842 S**
(45) **Date of Patent:** **** Oct. 29, 2019**

(54) **DRIVER INFORMATION MODULE OR REPLICA THEREOF**

D433,362 S * 11/2000 Wyszgrod D12/192
D440,193 S * 4/2001 Pfeiffer D12/192
D492,631 S * 7/2004 Pfeiffer D12/192

(Continued)

(71) Applicant: **ASTON MARTIN LAGONDA LIMITED**, Warwick (GB)

FOREIGN PATENT DOCUMENTS

(72) Inventors: **Matthew Hill**, Warwick (GB); **Steve Platt**, Warwick (GB)

CN 208306380 * 1/2019 B60H 1/00

(73) Assignee: **Aston Martin Lagonda Limited** (GB)

OTHER PUBLICATIONS

(**) Term: **15 Years**

15 Best Car Dashboard Designs, DesignsMaz.com, by Tommy, Jul. 8, 2015, [online], [site visited Feb. 20, 2019]. <URL: https://designsmaz.com/best-car-dashboard-designs/> (Year: 2015).*

(21) Appl. No.: **29/631,883**

(Continued)

(22) Filed: **Jan. 3, 2018**

(30) **Foreign Application Priority Data**

Primary Examiner — T Chase Nelson

Assistant Examiner — Jonathan J. Han

Jul. 4, 2017 (EM) 004087179-0001

(74) *Attorney, Agent, or Firm* — Dorsey & Whitney LLP

(51) **LOC (12) Cl.** **12-16**

(52) **U.S. Cl.**
USPC **D12/415**

(57) **CLAIM**

(58) **Field of Classification Search**
USPC D12/192, 415, 417-420, 110, 114, 345;
D15/17, 28; D10/46, 98, 102-103,
D10/122-127; D14/138 AB, 138 AC,
D14/138 AD, 341, 345-347, 315;
D7/701, 619.1-625; D21/421
CPC G06F 1/1613; G06F 1/1647; G06F 1/1641;
G06F 3/04883; G06F 3/04845; G06F
3/04817; G06F 3/0484; G06F 3/0486;
G06F 3/04847; H04M 1/0279; H04M
1/0281; H04M 1/0283; G08G 1/096883;
G01C 21/16; G01C 21/3688; G01C
21/30; B60N 2/46

The ornamental design for a driver information module or replica thereof, as shown and described.

See application file for complete search history.

DESCRIPTION

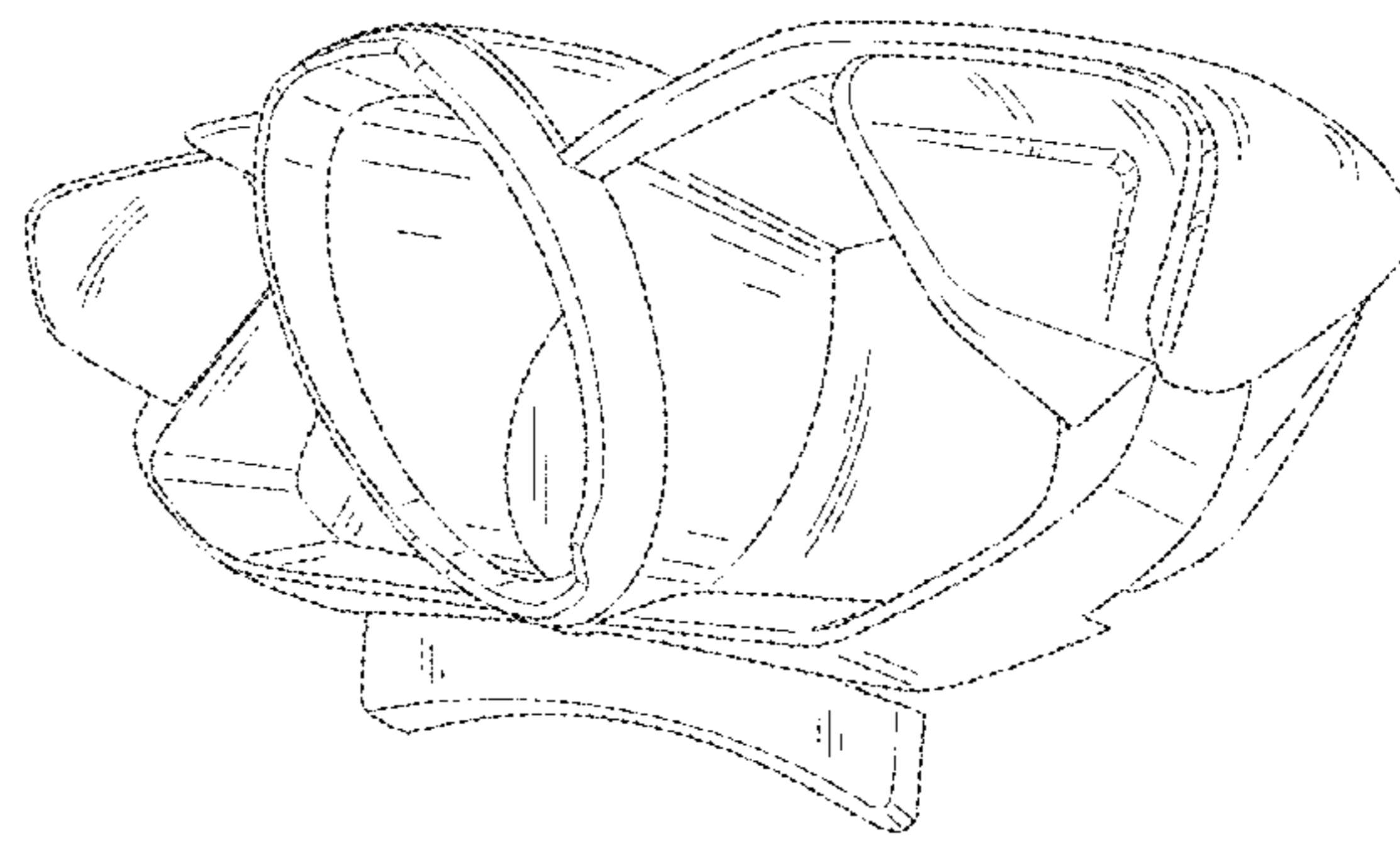
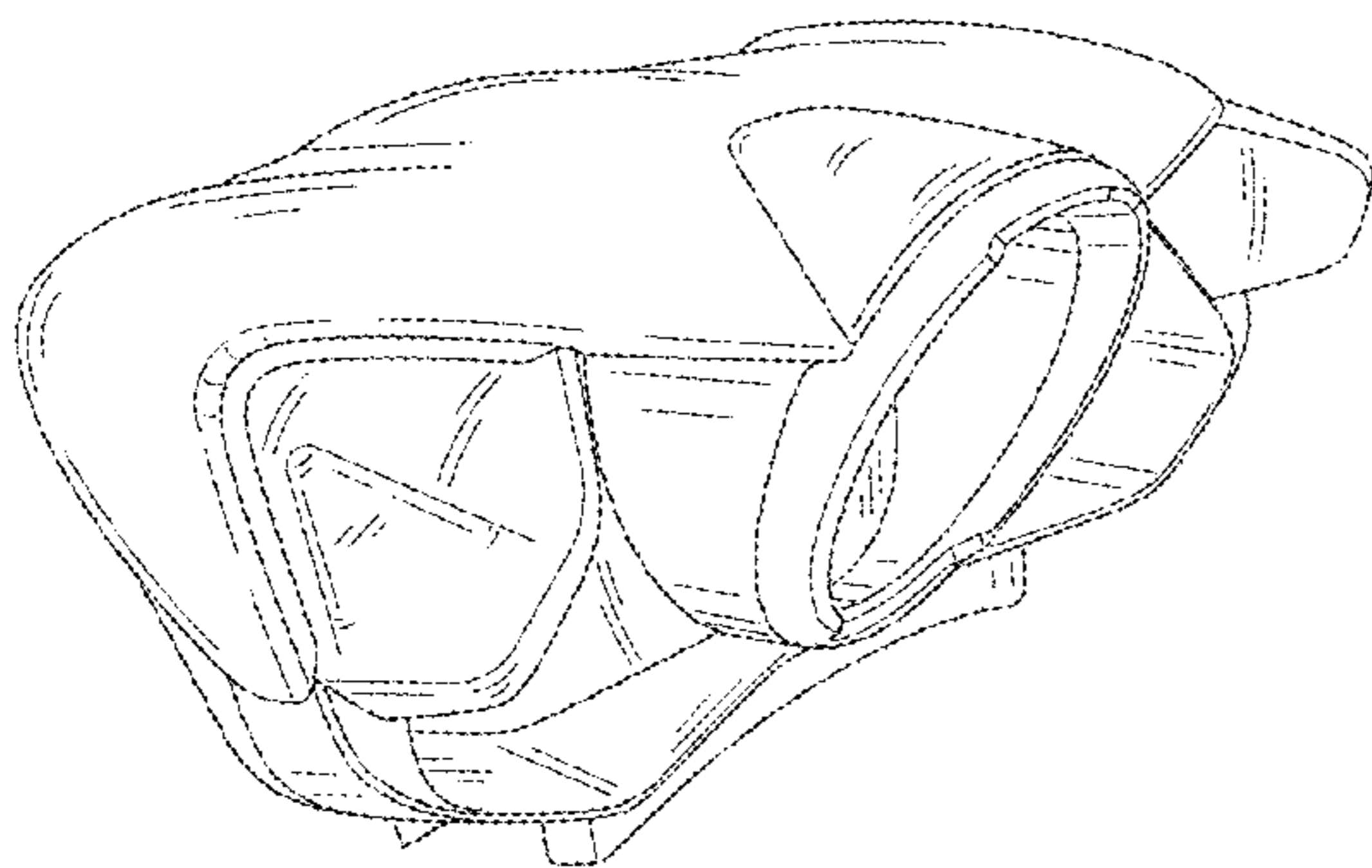
FIG. 1 is top front left-side perspective view of a driver information module or replica thereof in accordance with the present design;
FIG. 2 is a bottom front right-side perspective view thereof;
FIG. 3 is a front perspective view thereof;
FIG. 4 is a bottom front perspective view thereof;
FIG. 5 is a right side perspective view thereof, the left side perspective view thereof being a mirror image of the right side perspective view; and,
FIG. 6 is a top perspective view thereof.
Any portion of the driver information module or replica thereof that is not shown in the drawings forms no part of the claimed design.

(56) **References Cited**

U.S. PATENT DOCUMENTS

D412,146 S * 7/1999 Sacco D12/192
D423,434 S * 4/2000 Yano D12/192

1 Claim, 6 Drawing Sheets



(56)

References Cited

U.S. PATENT DOCUMENTS

D494,115 S * 8/2004 McPeck D12/192
 D501,811 S * 2/2005 Fukuda D12/192
 D511,729 S * 11/2005 Yamazaki D12/192
 D529,847 S * 10/2006 Montijo D12/192
 D532,730 S * 11/2006 Kohara D12/192
 D557,646 S * 12/2007 Portelance D12/192
 D558,110 S * 12/2007 Ozeki D12/192
 D571,272 S * 6/2008 Esaki D12/192
 D573,518 S * 7/2008 Day D12/192
 D577,642 S * 9/2008 Kitajima D12/192
 D593,916 S * 6/2009 Kulla D12/192
 D620,396 S 7/2010 Reichman et al.
 D621,761 S * 8/2010 Wiedeman D12/192
 D626,466 S 11/2010 Reichman et al.
 D629,718 S 12/2010 Reichman et al.
 D629,719 S 12/2010 Reichman et al.
 D629,725 S 12/2010 Reichman et al.
 D630,140 S 1/2011 Reichman et al.
 D637,539 S * 5/2011 Welch D12/192
 D637,541 S * 5/2011 Ali D12/192
 D640,180 S * 6/2011 Money Penny D12/345
 D641,675 S * 7/2011 Kim D12/192
 D656,441 S * 3/2012 Cheung D12/192
 D670,640 S 11/2012 Reichman et al.
 D687,348 S 8/2013 Nurnberger
 D689,812 S 9/2013 Reichman et al.
 D692,800 S 11/2013 Wiltshire
 D693,751 S * 11/2013 Ali D12/192
 D696,995 S * 1/2014 Ogawa D12/192
 D704,102 S 5/2014 Nurnberger
 D704,601 S 5/2014 Nurnberger
 D721,996 S * 2/2015 Farcas D12/192
 D726,079 S 4/2015 Reichman et al.
 D727,804 S 4/2015 Nurnberger
 D730,777 S 6/2015 Nurnberger
 D730,793 S * 6/2015 Ishikawa D12/192
 D733,021 S * 6/2015 Takagi D12/192
 D739,789 S 9/2015 Payne
 D740,725 S 10/2015 Payne
 D758,247 S 6/2016 Nurnberger et al.
 D766,474 S 9/2016 Holgate et al.
 D772,128 S 11/2016 Platt
 D774,950 S 12/2016 Holgate et al.
 D774,995 S 12/2016 Holgate et al.
 D777,070 S 1/2017 Nurnberger
 D778,790 S 2/2017 Nurnberger
 D778,796 S * 2/2017 Gommier D12/192
 D780,632 S 3/2017 Nurnberger
 D780,633 S 3/2017 Nurnberger et al.
 D780,634 S 3/2017 Nurnberger et al.
 D780,636 S 3/2017 Kahn
 D785,525 S 5/2017 Nurnberger
 D786,155 S 5/2017 Holgate et al.
 D786,744 S 5/2017 Nurnberger et al.
 D793,313 S * 8/2017 Zimmermann D12/192
 D796,404 S 9/2017 Nurnberger
 D800,619 S 10/2017 Platt
 D801,245 S * 10/2017 Giolito D12/192
 D801,558 S 10/2017 Nurnberger et al.

D803,120 S * 11/2017 Boas D12/192
 D809,443 S * 2/2018 Walker D12/192
 D813,127 S * 3/2018 Yamamoto D12/192
 D817,832 S * 5/2018 Maezono D12/192
 D837,117 S * 1/2019 Manzoni D12/192

OTHER PUBLICATIONS

Dashboard 2019 Aston Martin Vantage '2018-pr., en.wheelsage.org, Added by: Porlamfer, Apr. 17, 2018, [online], [site visited Feb. 20, 2019]. <URL: https://en.wheelsage.org/aston_martin/vantage/2018-xx/2019-xx/pictures/stzyyi/> (Year: 2018).*

Dashboard Aston Martin DBS Superleggera '2018-pr., en.wheelsage.org, Added by: Hadrien, Nov. 16, 2018, [online], [site visited Feb. 20, 2019]. <URL: https://en.wheelsage.org/aston_martin/dbs/pictures/m5dz1r/> (Year: 2018).*

Dashboard Aston Martin DB10 '2015, en.wheelsage.org, Added by: Sbocha, Jan. 4, 2016, [online], [site visited Feb. 20, 2019]. <URL: https://en.wheelsage.org/aston_martin/db10/pictures/spcu36/> (Year: 2016).*

U.S. Appl. No. 29/542,940, filed Oct. 19, 2015, Kahn.
 U.S. Appl. No. 29/573,909, filed Aug. 10, 2016, Cooper.
 U.S. Appl. No. 29/582,156, filed Oct. 25, 2016, Earley.
 U.S. Appl. No. 29/582,165, filed Oct. 25, 2016, Earley.
 U.S. Appl. No. 29/582,167, filed Oct. 25, 2016, Earley.
 U.S. Appl. No. 29/582,170, filed Oct. 25, 2016, Earley.
 U.S. Appl. No. 29/583,268, filed Nov. 3, 2016, Nurnberger et al.
 U.S. Appl. No. 29/583,272, filed Nov. 3, 2016, Nurnberger et al.
 U.S. Appl. No. 29/583,278, filed Nov. 3, 2016, Nurnberger et al.
 U.S. Appl. No. 29/584,625, filed Nov. 16, 2016, Nurnberger et al.
 U.S. Appl. No. 29/584,629, filed Nov. 16, 2016, Nurnberger et al.
 U.S. Appl. No. 29/589,582, filed Jan. 3, 2017, Nurnberger et al.
 U.S. Appl. No. 29/589,583, filed Jan. 3, 2017, Nurnberger et al.
 U.S. Appl. No. 29/589,586, filed Jan. 3, 2017, Nurnberger et al.
 U.S. Appl. No. 29/589,618, filed Jan. 3, 2017, Nurnberger et al.
 U.S. Appl. No. 29/589,621, filed Jan. 3, 2017, Nurnberger et al.
 U.S. Appl. No. 29/595,005, filed Feb. 24, 2017, Nurnberger et al.
 U.S. Appl. No. 29/604,102, filed May 15, 2017, Nurnberger et al.
 U.S. Appl. No. 29/616,003, filed Sep. 1, 2017, Re et al.
 U.S. Appl. No. 29/616,006, filed Sep. 1, 2017, Re et al.
 U.S. Appl. No. 29/616,008, filed Sep. 1, 2017, Re et al.
 U.S. Appl. No. 29/616,010, filed Sep. 1, 2017, Re et al.
 U.S. Appl. No. 29/616,014, filed Sep. 1, 2017, Re et al.
 U.S. Appl. No. 29/621,813, filed Oct. 11, 2017, Nurnberger et al.
 U.S. Appl. No. 29/621,815, filed Oct. 11, 2017, Nurnberger et al.
 U.S. Appl. No. 29/626,411, filed Nov. 16, 2017, Nurnberger et al.
 U.S. Appl. No. 29/626,415, filed Nov. 16, 2017, Nurnberger et al.
 U.S. Appl. No. 29/626,419, filed Nov. 16, 2017, Hill et al.
 U.S. Appl. No. 29/626,801, filed Nov. 20, 2017, Hill et al.
 U.S. Appl. No. 29/631,887, filed Jan. 3, 2018, Hill et al.

Aston Martin 2013, "Aston Martin Centenary Celebration Programme," 2013; 204 pages.
 1976 and 1987 Aston Martin Lagonda, [online], [site visited Jul. 24, 2014], Available from Internet, <URL: <http://www.astonmartin.com/heritage/past-models/lagonda>>, 2 pages.

* cited by examiner

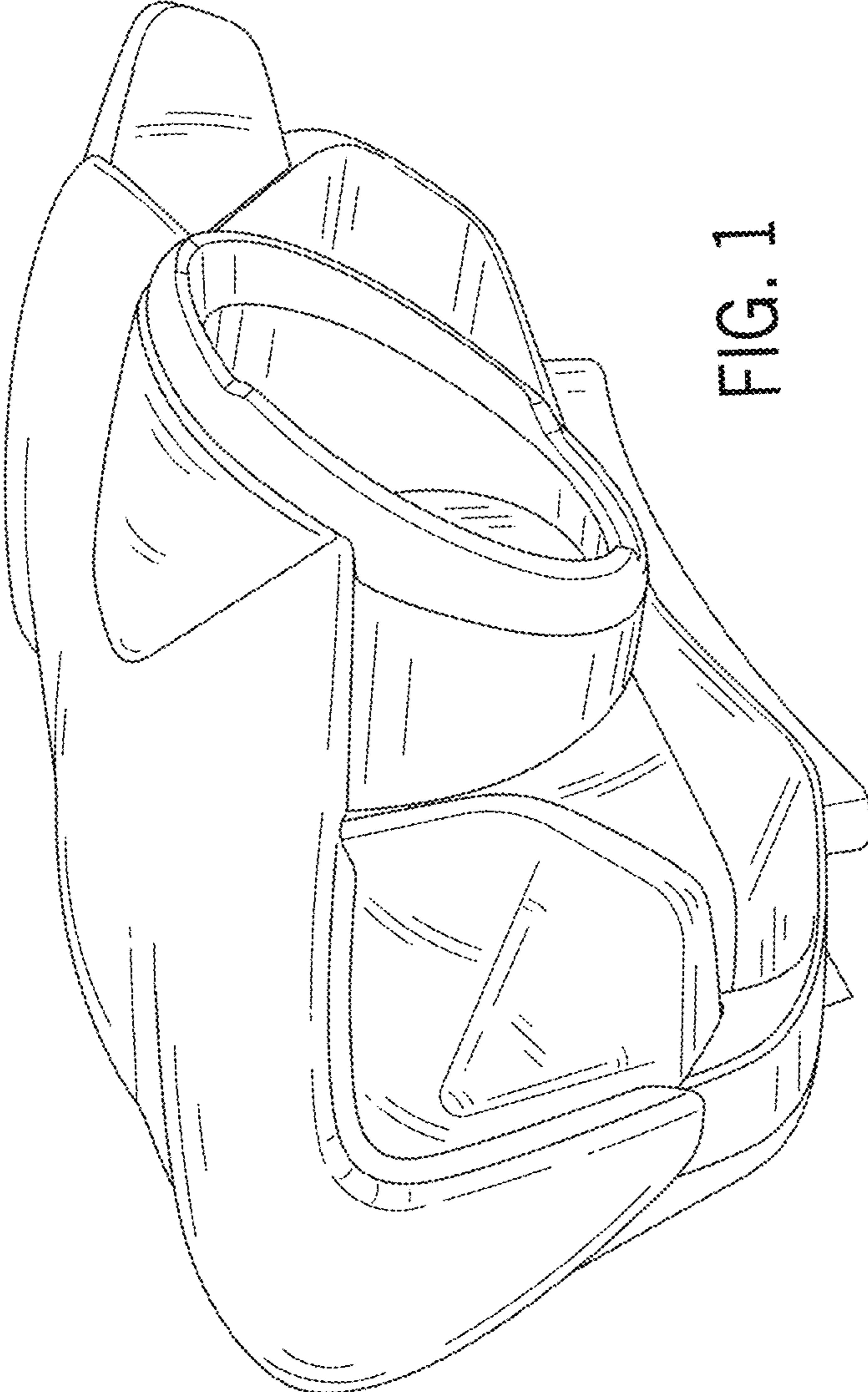


FIG. 1

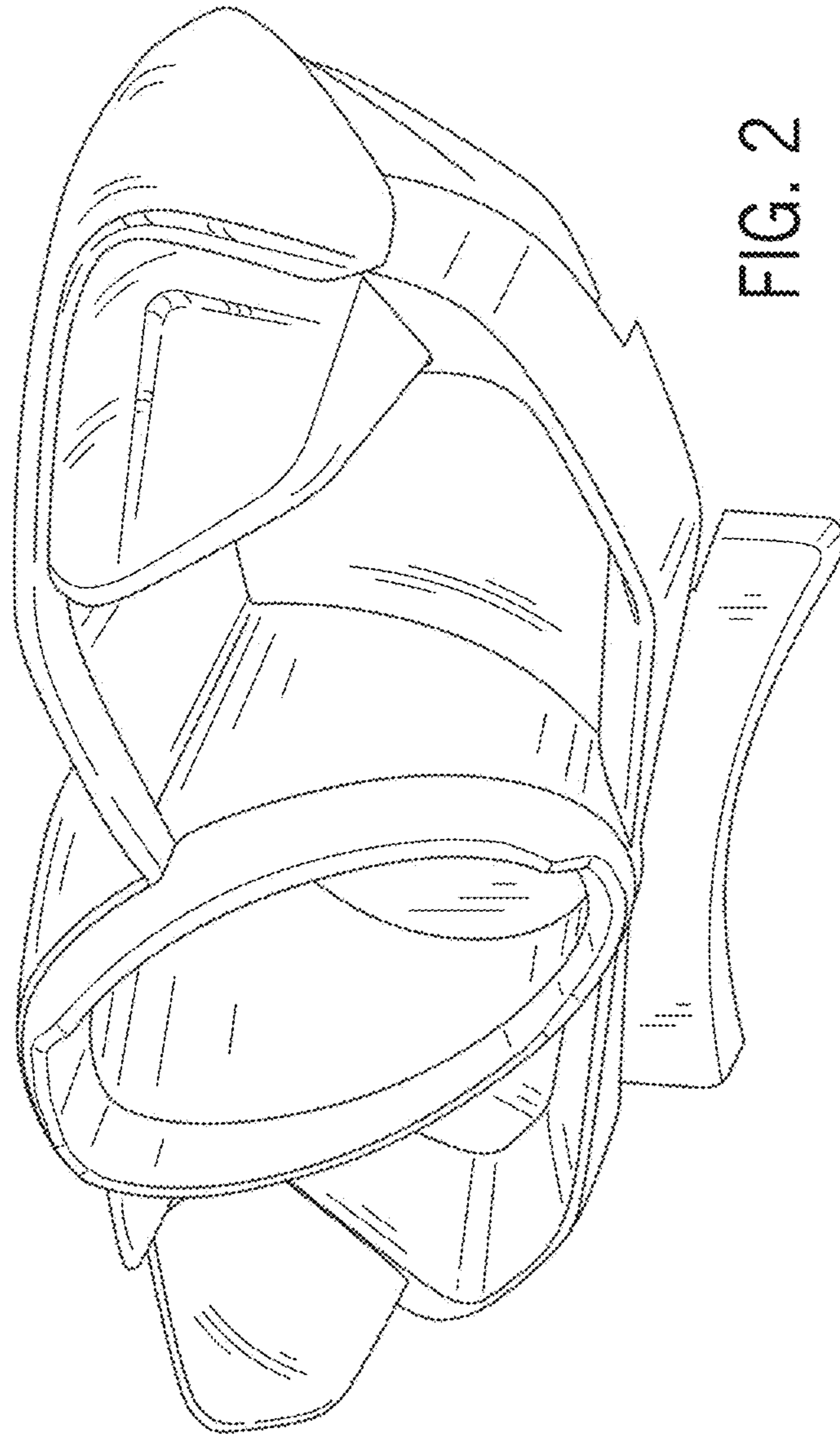


FIG. 2

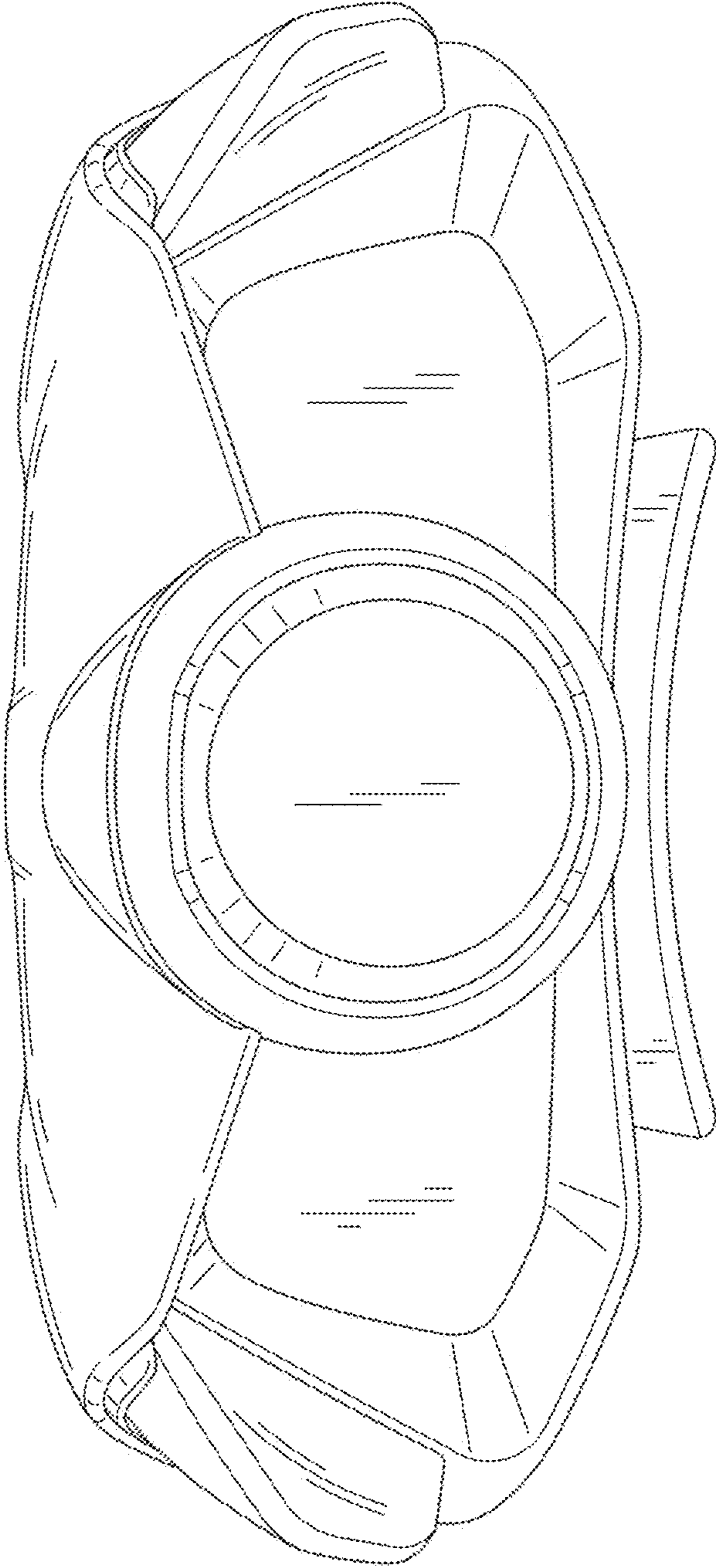


FIG. 3

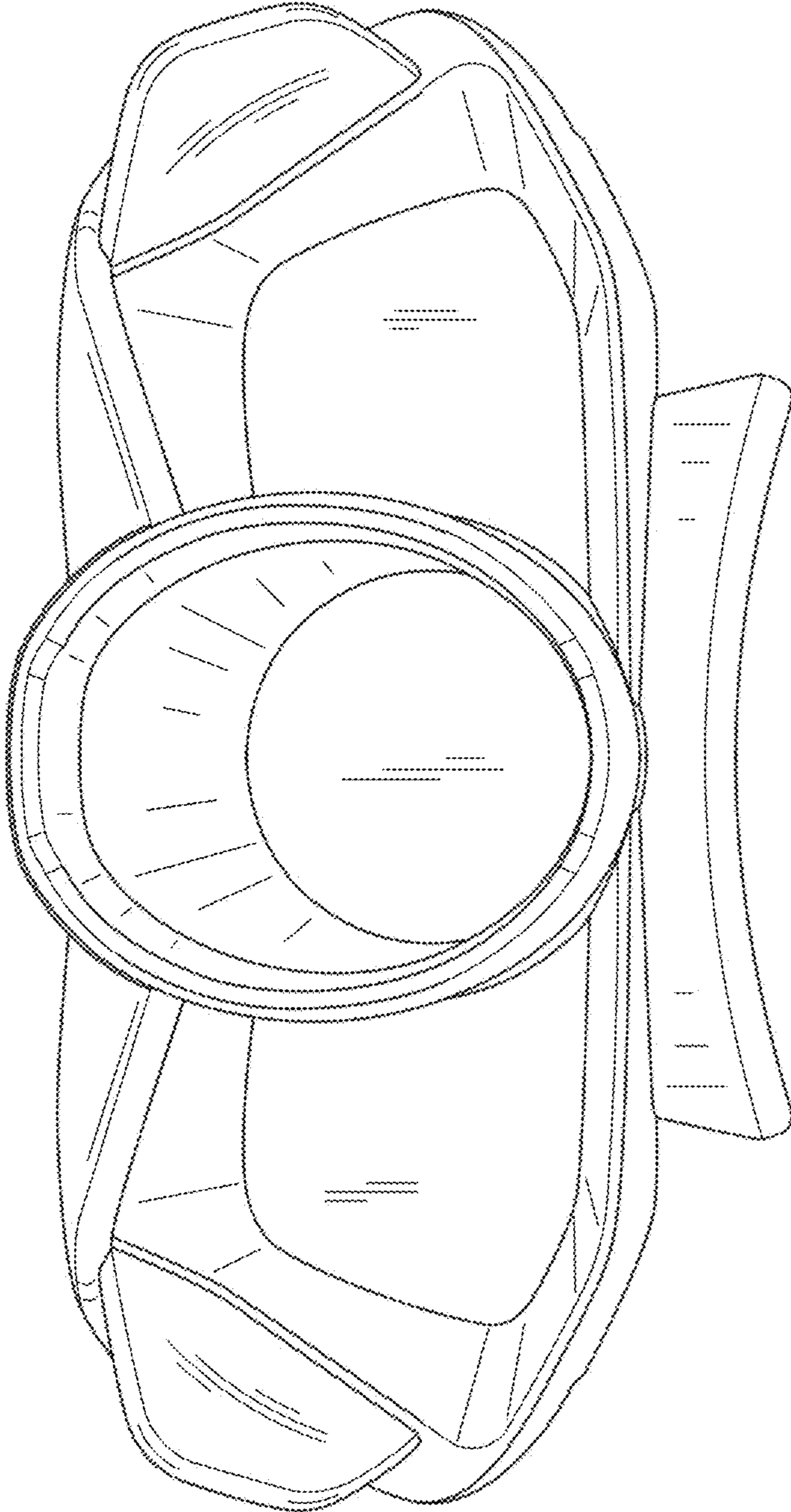


FIG. 4

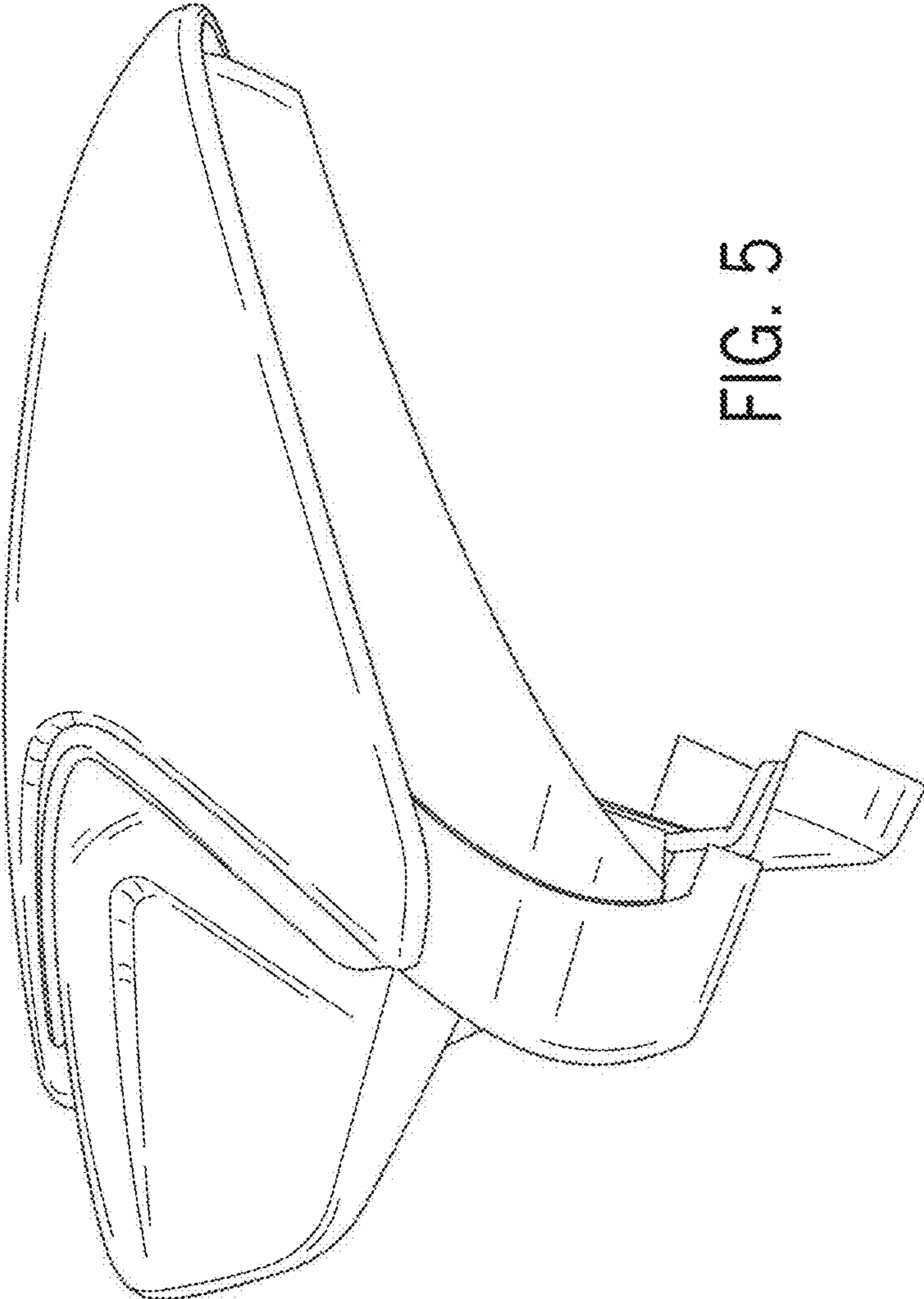


FIG. 5

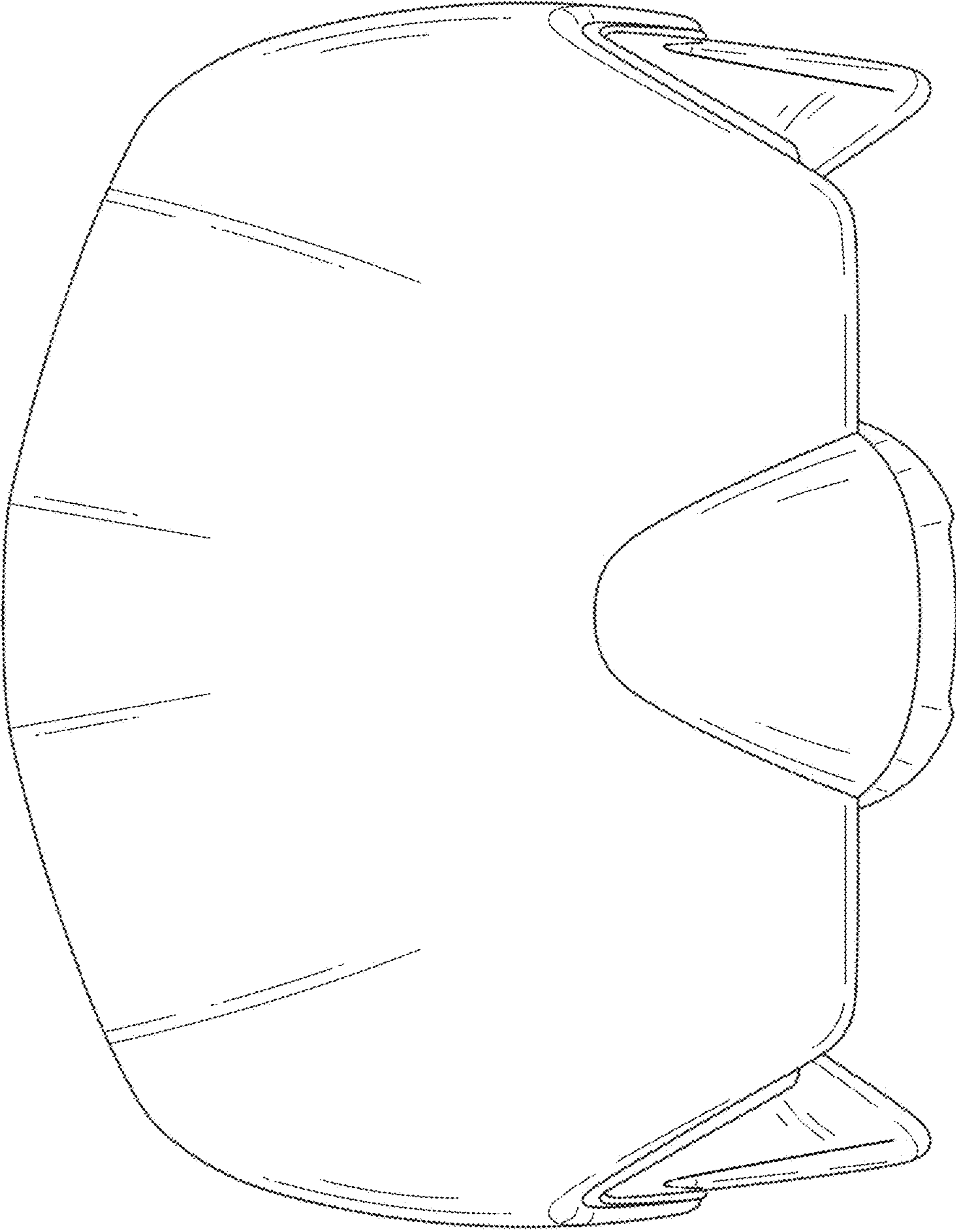


FIG. 6