



US00D864840S

(12) **United States Design Patent**
Wood

(10) **Patent No.:** **US D864,840 S**

(45) **Date of Patent:** **** Oct. 29, 2019**

(54) **BODY BED RACK FOR A MODEL VEHICLE**

Primary Examiner — Abraham Bahta

(71) Applicant: **Traxxas, LP**, McKinney, TX (US)

(74) *Attorney, Agent, or Firm* — Daryl R. Wright; Greg

Carr

(72) Inventor: **Jonathan Scott Wood**, Lewisville, TX (US)

(73) Assignee: **TRAXXAS LP**, McKinney, TX (US)

(57) **CLAIM**

(**) Term: **15 Years**

I claim the ornamental design for a body bed rack for a model vehicle, as shown and described.

(21) Appl. No.: **29/649,836**

(22) Filed: **Jun. 1, 2018**

(51) **LOC (12) Cl.** **12-16**

DESCRIPTION

(52) **U.S. Cl.**

USPC **D12/412**

(58) **Field of Classification Search**

USPC D12/414, 406–413; D32/35, 58;
D6/552; D3/304–306; 224/309–310,
224/323–329, 400; 280/760–762, 769,
280/727, 848; 296/37.1

CPC . B60R 2011/0042; B60R 11/06; B60R 11/00;
B60R 9/048; B60R 9/045; B60R 9/00;
B60R 9/058; B60R 9/12; B60R 9/02;
B60R 9/08; B60R 9/042; B60R 9/0423;
B60R 9/0426; B60R 9/05; B60R 9/052

See application file for complete search history.

FIG. 1 is an upper, right, front, perspective view of a body bed rack for a model vehicle;

FIG. 2 is a front elevation view thereof;

FIG. 3 is rear elevation view thereof;

FIG. 4 is a left side view thereof;

FIG. 5 is a right side view thereof;

FIG. 6 is a top plan view thereof;

FIG. 7 is a bottom plan view thereof; and,

FIG. 8 is a lower, left, rear, perspective view.

In the drawings, the broken line showing of features of the body bed rack for a model vehicle illustrate portions of the body bed rack for a model vehicle that form no part of the claimed design.

(56) **References Cited**

U.S. PATENT DOCUMENTS

D473,839 S * 4/2003 Atencio D12/414.1

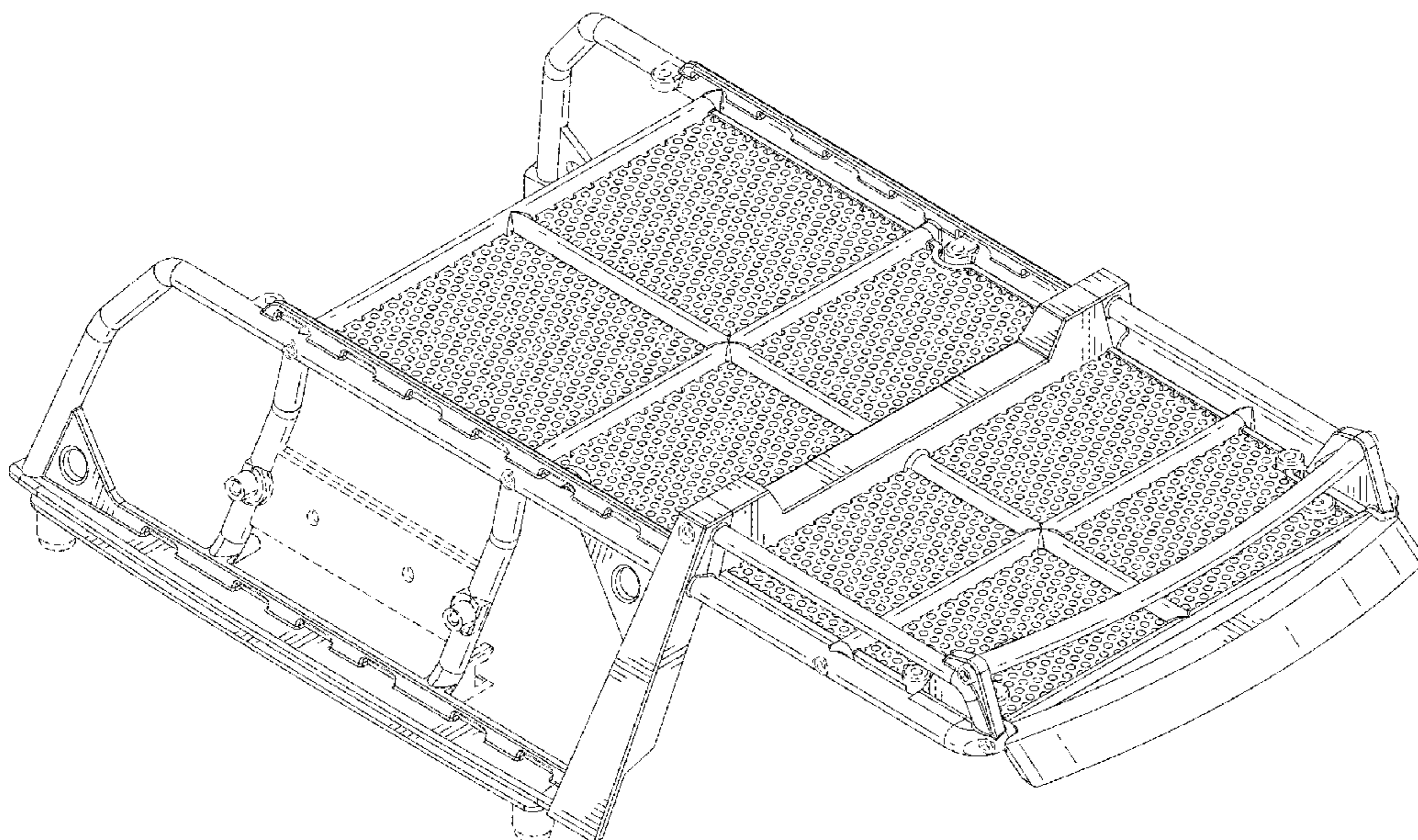
D635,909 S * 4/2011 Moore D12/406

D713,775 S * 9/2014 Lagermann D12/406

D810,654 S * 2/2018 Dionisopoulos D12/406

* cited by examiner

1 Claim, 7 Drawing Sheets



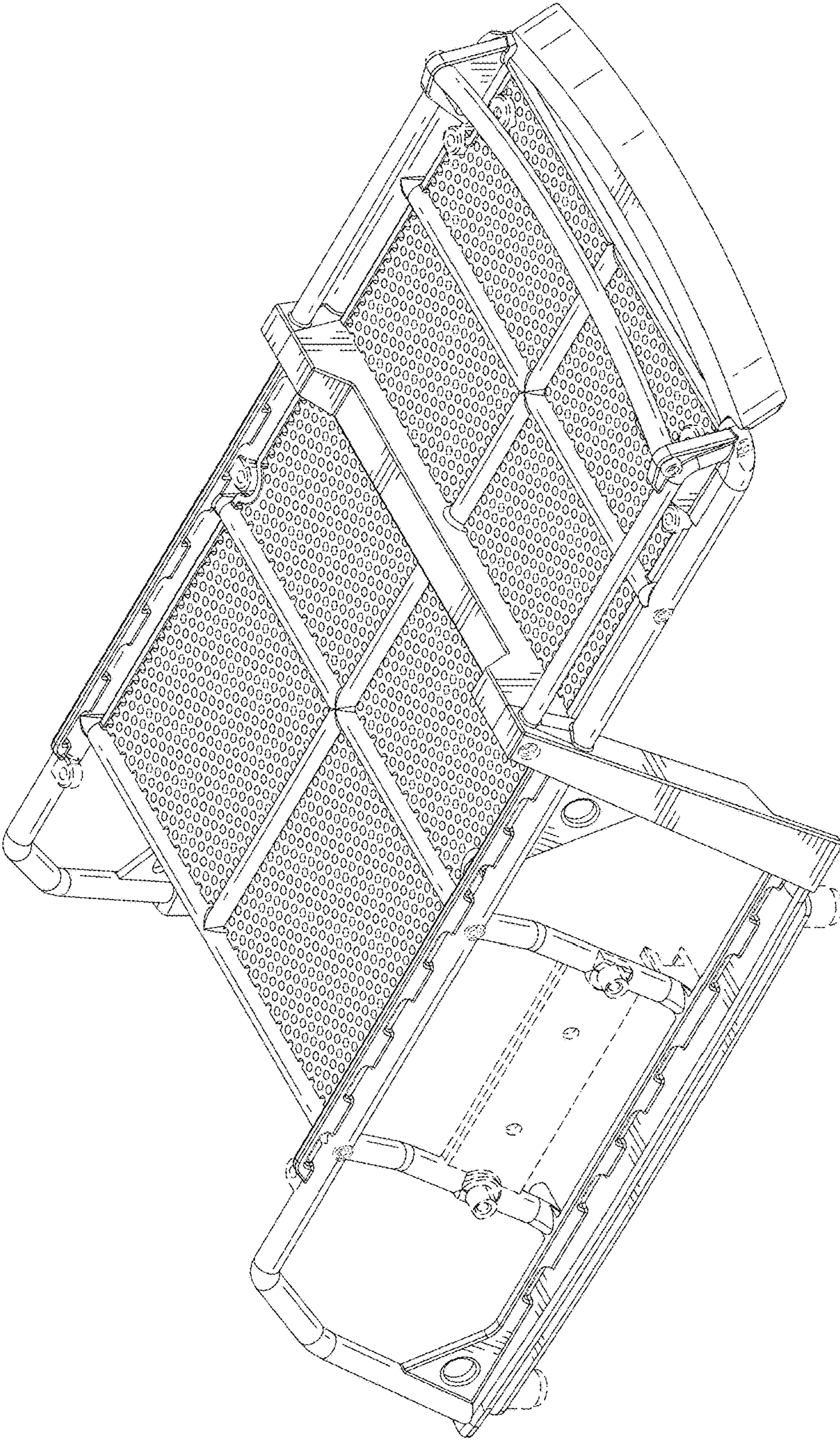


FIG. 1

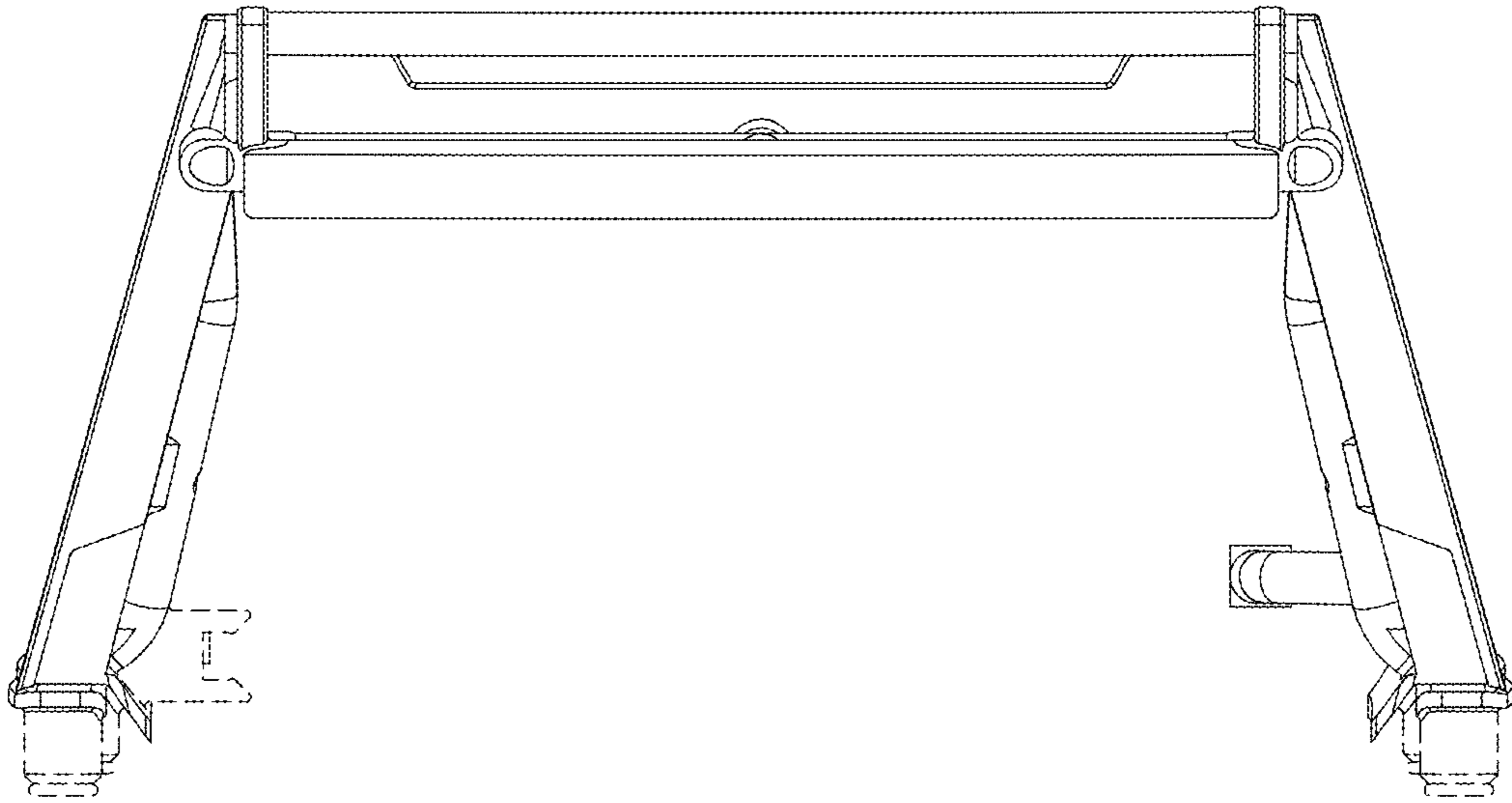


FIG. 2

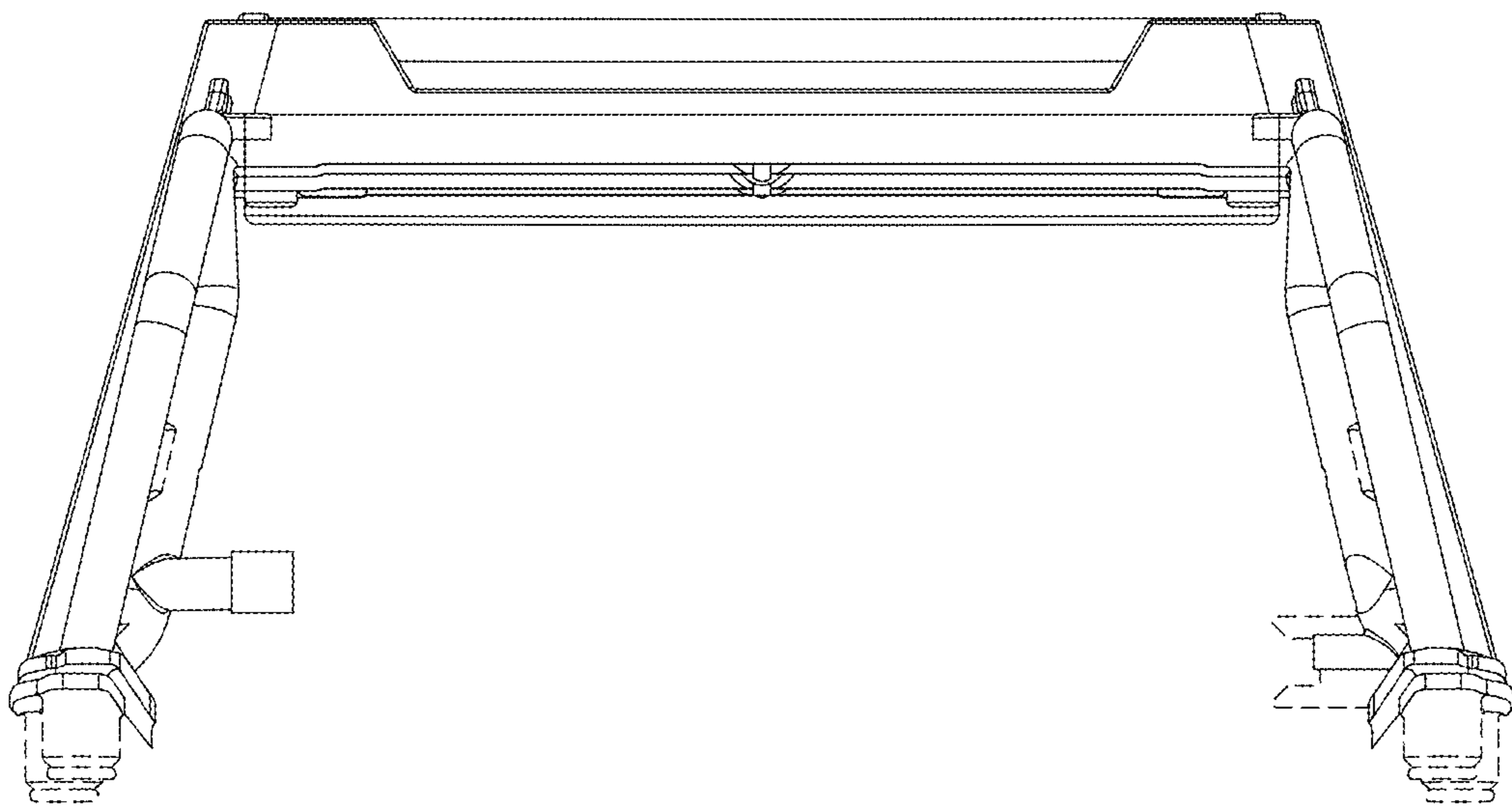


FIG. 3

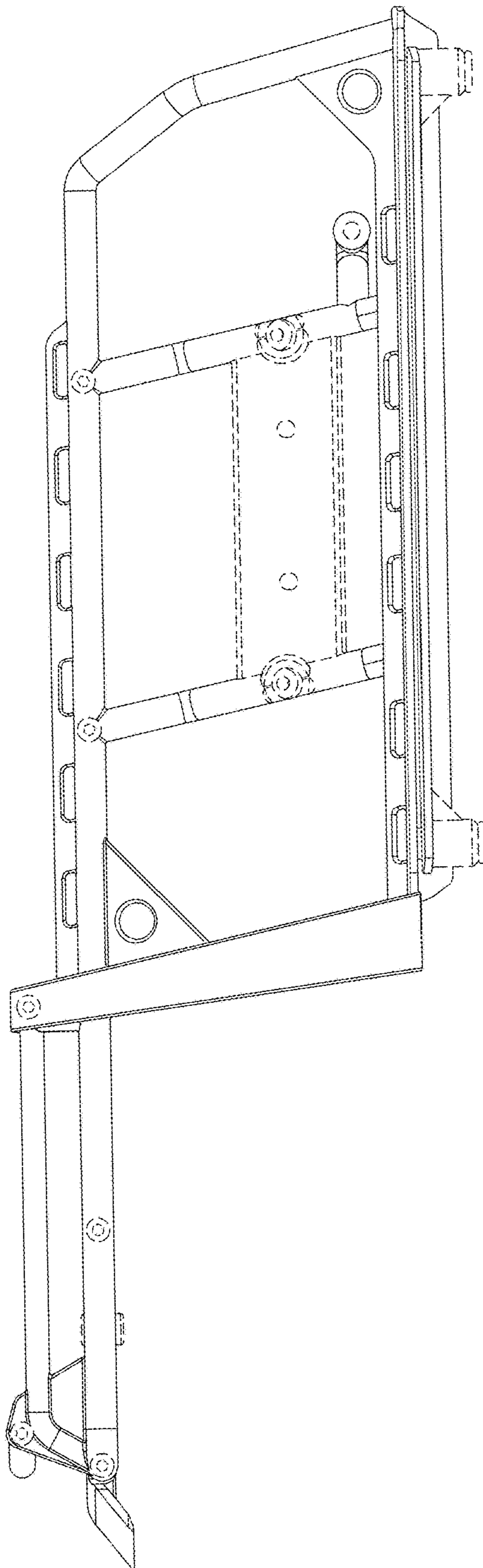


FIG. 4

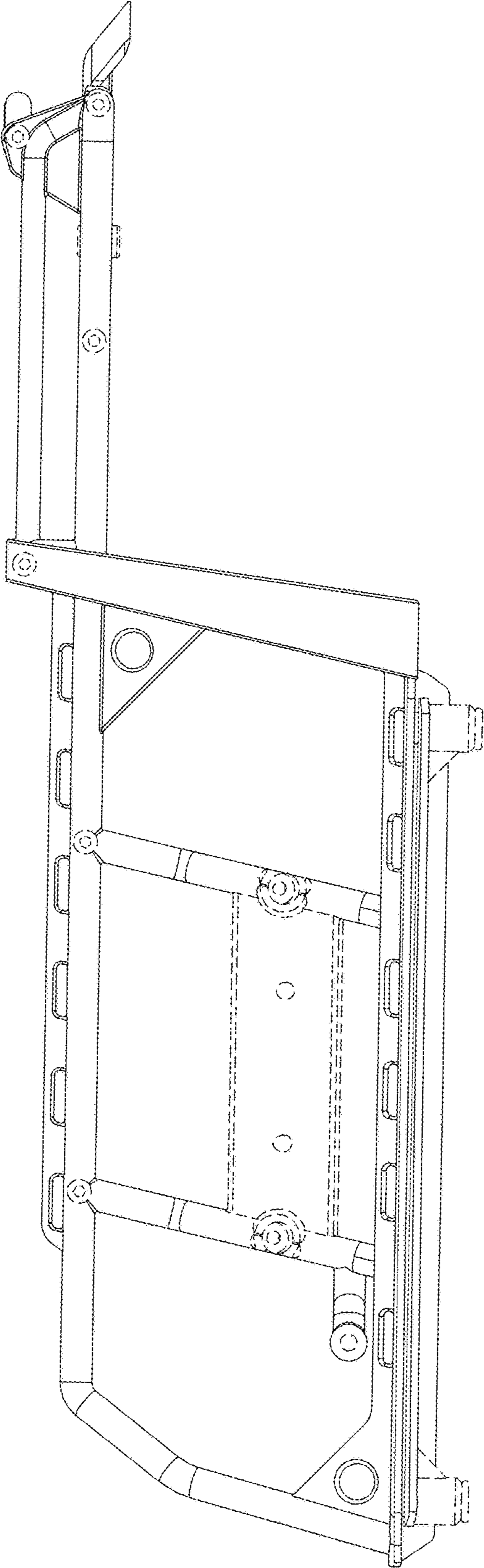


FIG. 5

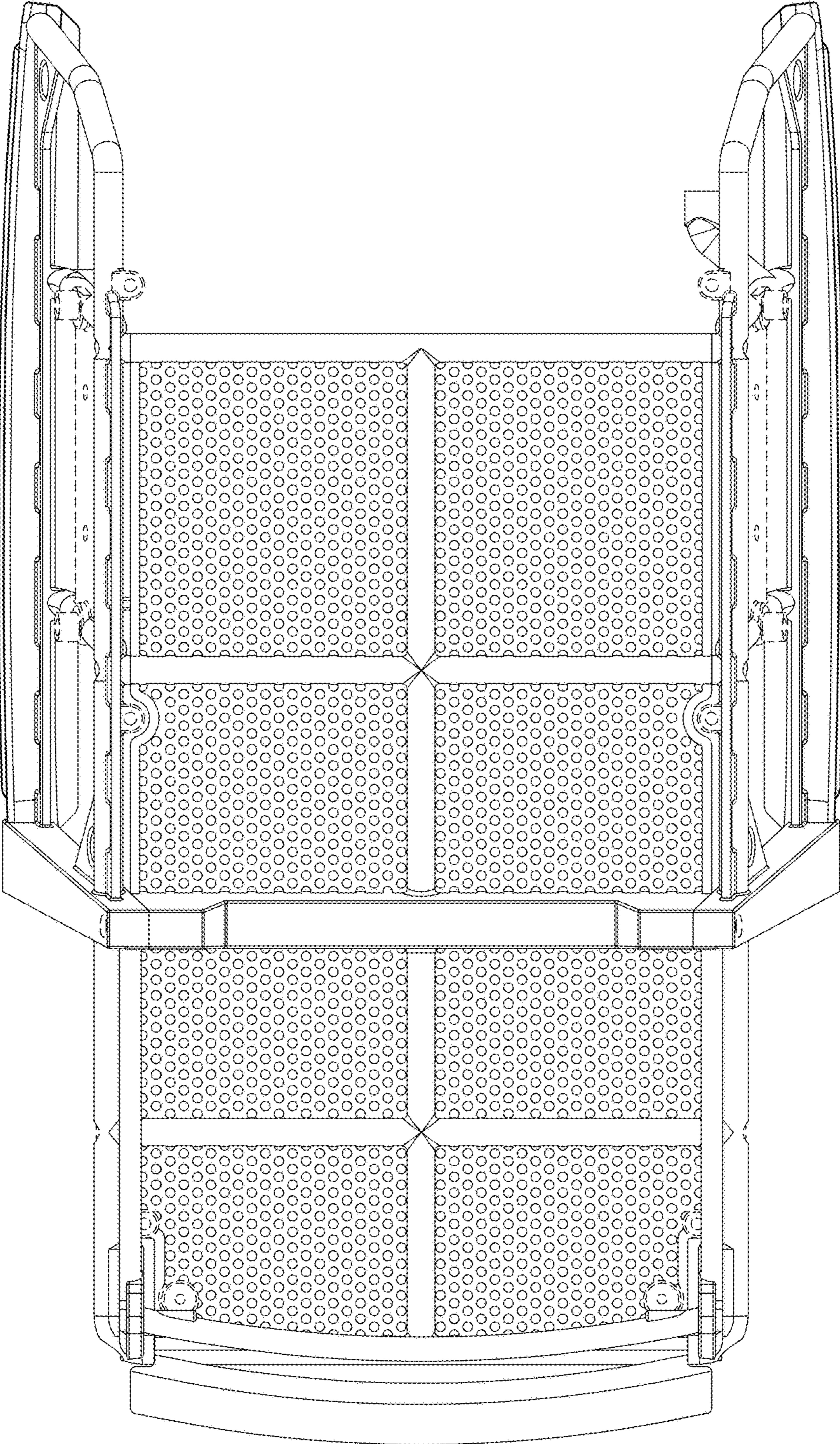


FIG. 6

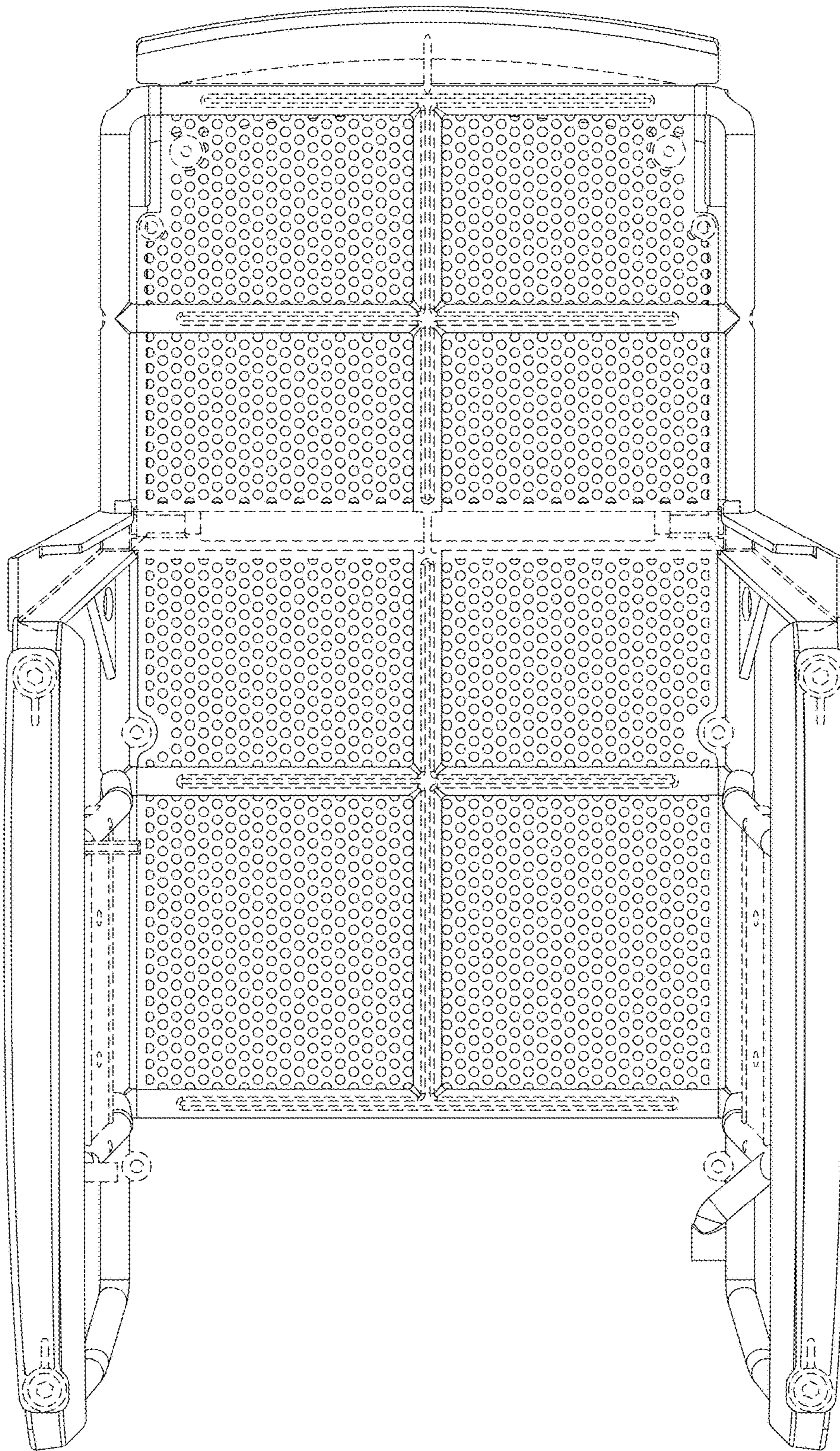


FIG. 7

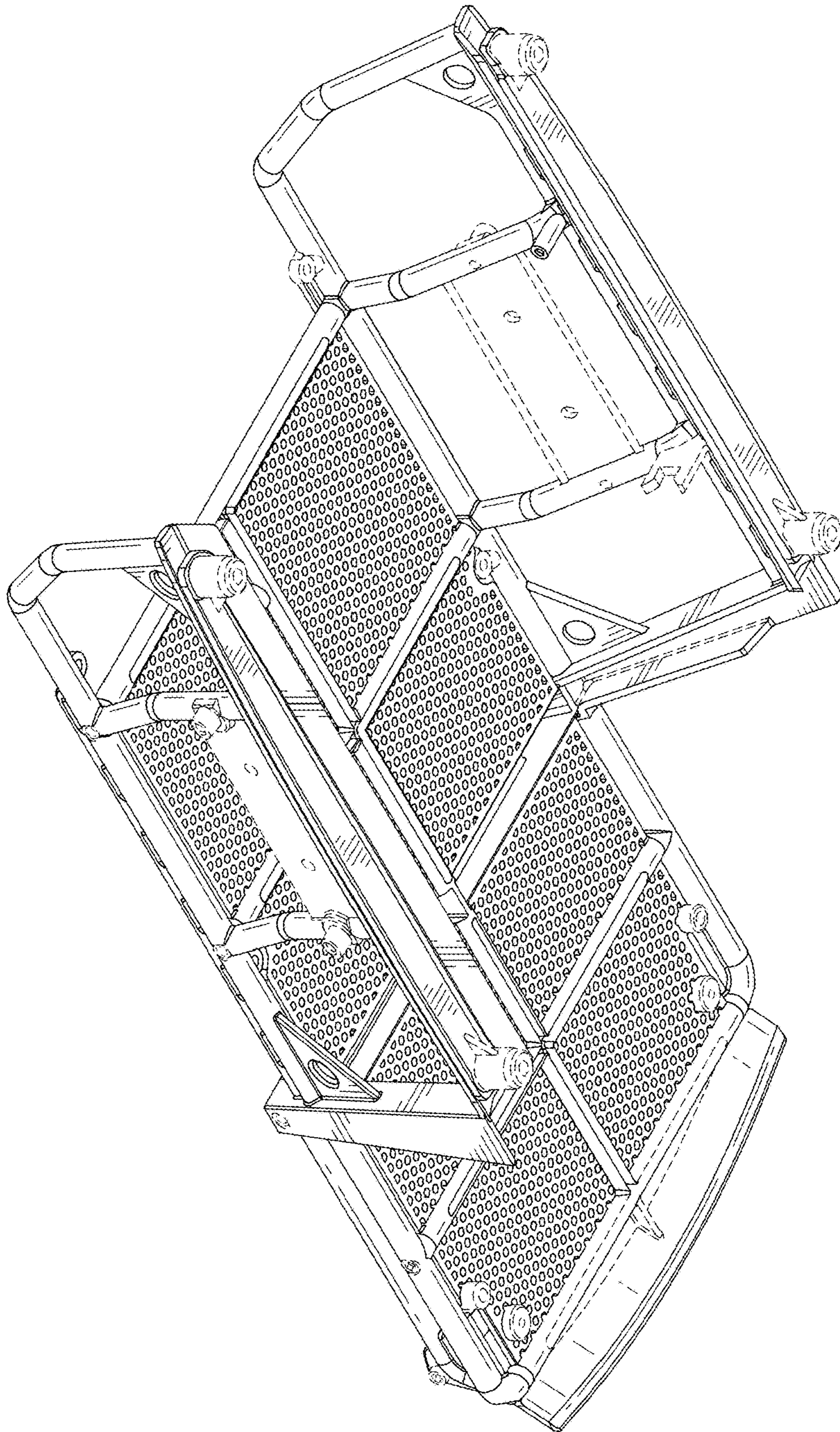


FIG. 8