

US00D864835S

(12) **United States Design Patent**  
**Chen**

(10) **Patent No.:** **US D864,835 S**

(45) **Date of Patent:** **\*\* Oct. 29, 2019**

(54) **VEHICLE WHEEL**

(71) Applicant: **Chin Hung Chen**, New Taipei (TW)

(72) Inventor: **Chin Hung Chen**, New Taipei (TW)

(\*\*) Term: **15 Years**

(21) Appl. No.: **29/621,478**

(22) Filed: **Oct. 9, 2017**

(51) **LOC (12) Cl.** ..... **12-16**

(52) **U.S. Cl.**  
USPC ..... **D12/211**

(58) **Field of Classification Search**  
USPC ..... D12/204–213; D21/533, 561, 563  
CPC .... B60B 7/00; B60B 7/02; B60B 7/04; B60B  
7/06; B60B 3/02; B60B 3/04; B60B 3/06;  
B60B 3/10; B60B 1/00; B60B 1/08;  
B60B 1/10; B60B 1/12  
See application file for complete search history.

(56) **References Cited**

**U.S. PATENT DOCUMENTS**

D466,851 S	*	12/2002	Pfeiffer	.....	D12/211
D531,951 S	*	11/2006	Khan	.....	D12/211
D543,923 S	*	6/2007	Hieke	.....	D12/211
D610,516 S	*	2/2010	Dilber	.....	D12/211
D626,488 S	*	11/2010	Yoon	.....	D12/211
D682,183 S	*	5/2013	Zhao	.....	D12/211
D694,695 S	*	12/2013	Kern	.....	D12/211
D708,562 S	*	7/2014	Kern	.....	D12/211

D722,935 S	*	2/2015	Dingle	.....	D12/209
D723,996 S	*	3/2015	Zhao	.....	D12/211
D737,190 S	*	8/2015	Kern	.....	D12/211
D748,558 S	*	2/2016	Hans	.....	D12/211
D758,946 S	*	6/2016	Zhao	.....	D12/211
D766,155 S	*	9/2016	Wheel	.....	D12/211
D768,047 S	*	10/2016	Hans	.....	D12/211
D788,008 S	*	5/2017	Zhao	.....	D12/211
D793,939 S	*	8/2017	Hans	.....	D12/211
D796,411 S	*	9/2017	Chung	.....	D12/211
D823,222 S	*	7/2018	Chung	.....	D12/211
D828,267 S	*	9/2018	Badstuebner	.....	D12/209
D832,178 S	*	10/2018	Hodges	.....	D12/211

\* cited by examiner

*Primary Examiner* — Sheryl Lane

*Assistant Examiner* — Calvin E Vansant

(74) *Attorney, Agent, or Firm* — Che-Yang Chen; Law  
Offices of Scott Warmuth

(57) **CLAIM**

The ornamental design for a vehicle wheel, as shown and described.

**DESCRIPTION**

FIG. 1 is a perspective view of the vehicle wheel showing my new design;

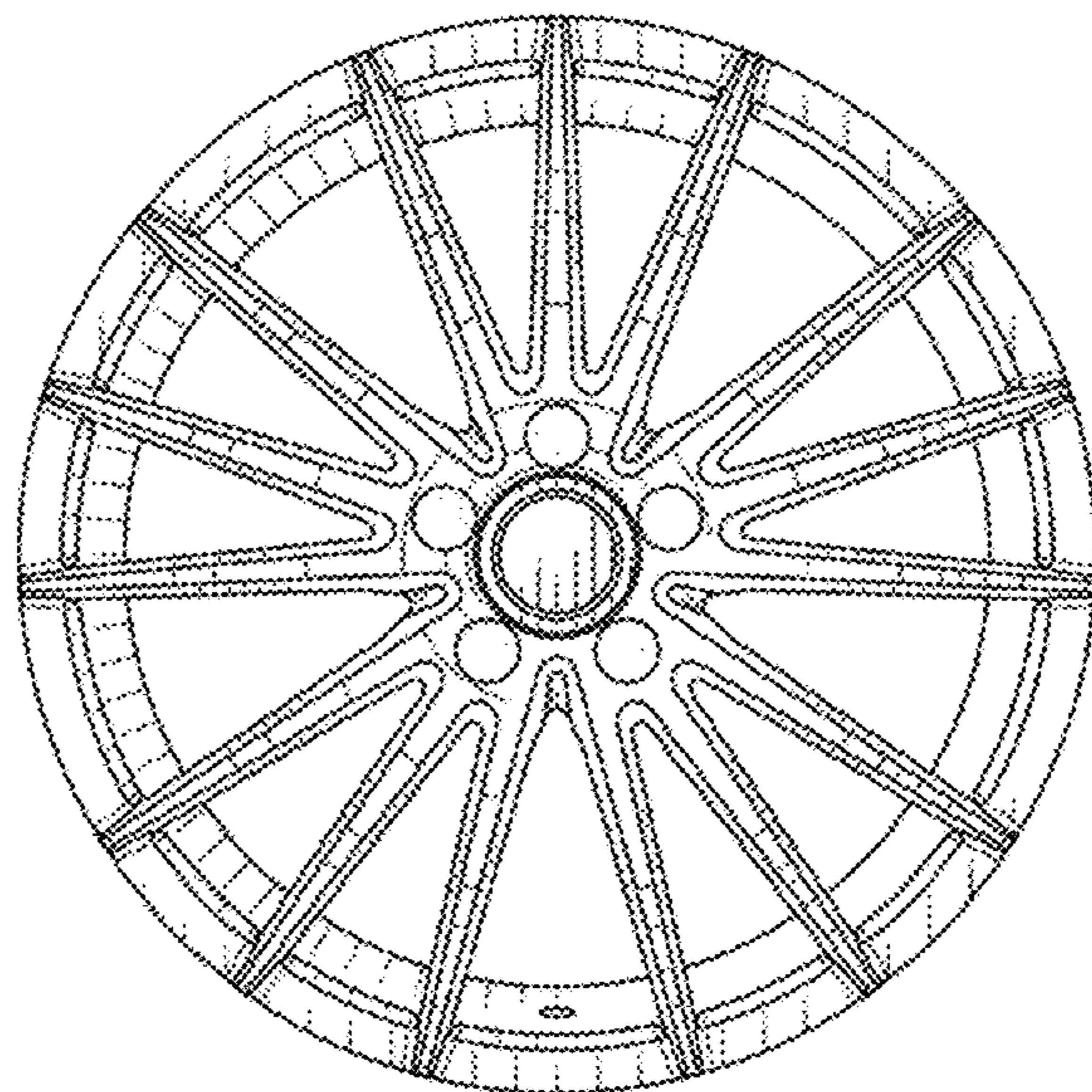
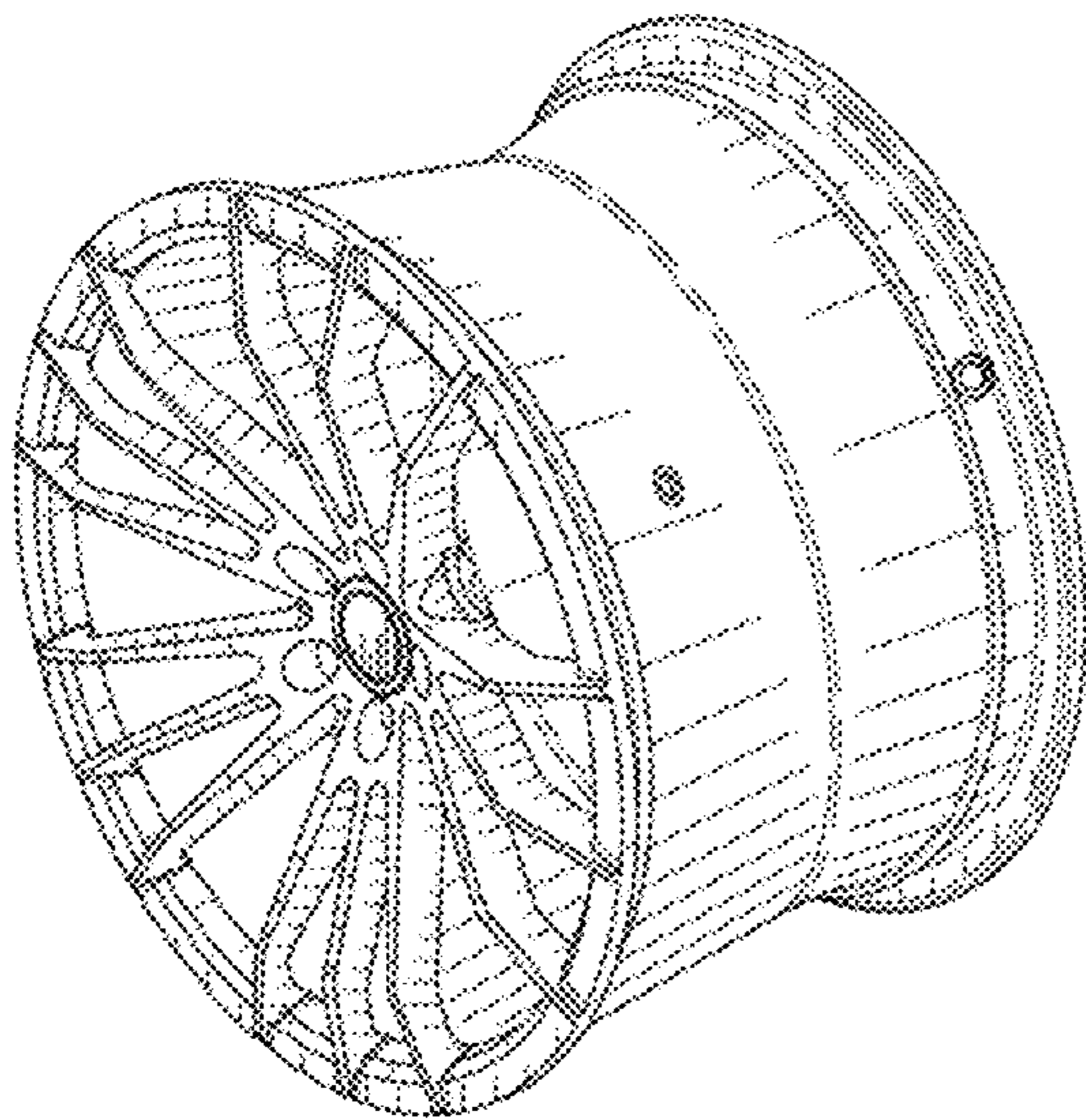
FIG. 2 is a front elevational view thereof;

FIG. 3 is a side view thereof; and,

FIG. 4 is a top plan view thereof.

The broken lines depict portions of the vehicle wheel that form no part of the claimed design.

**1 Claim, 4 Drawing Sheets**





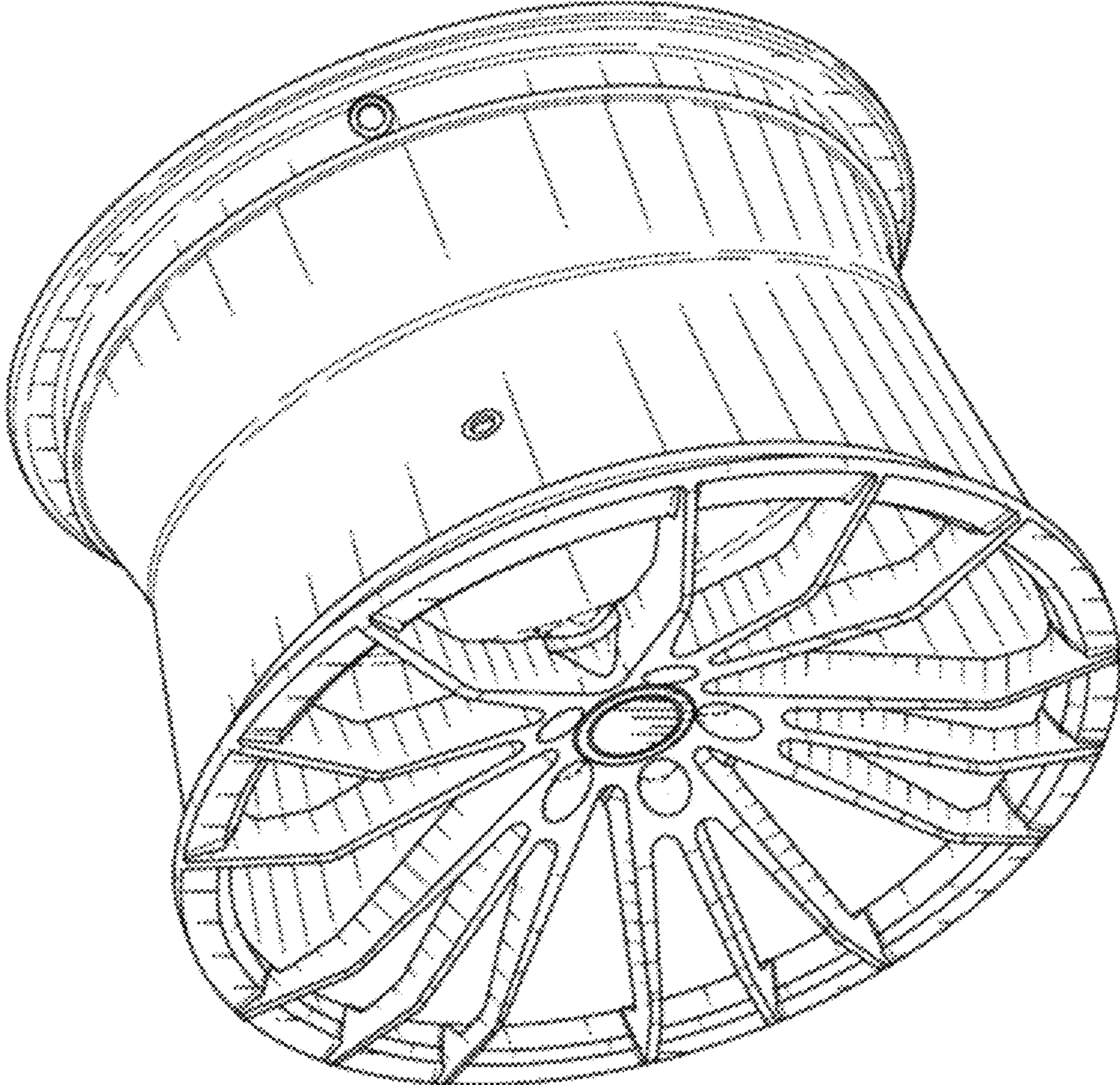


FIG. 1

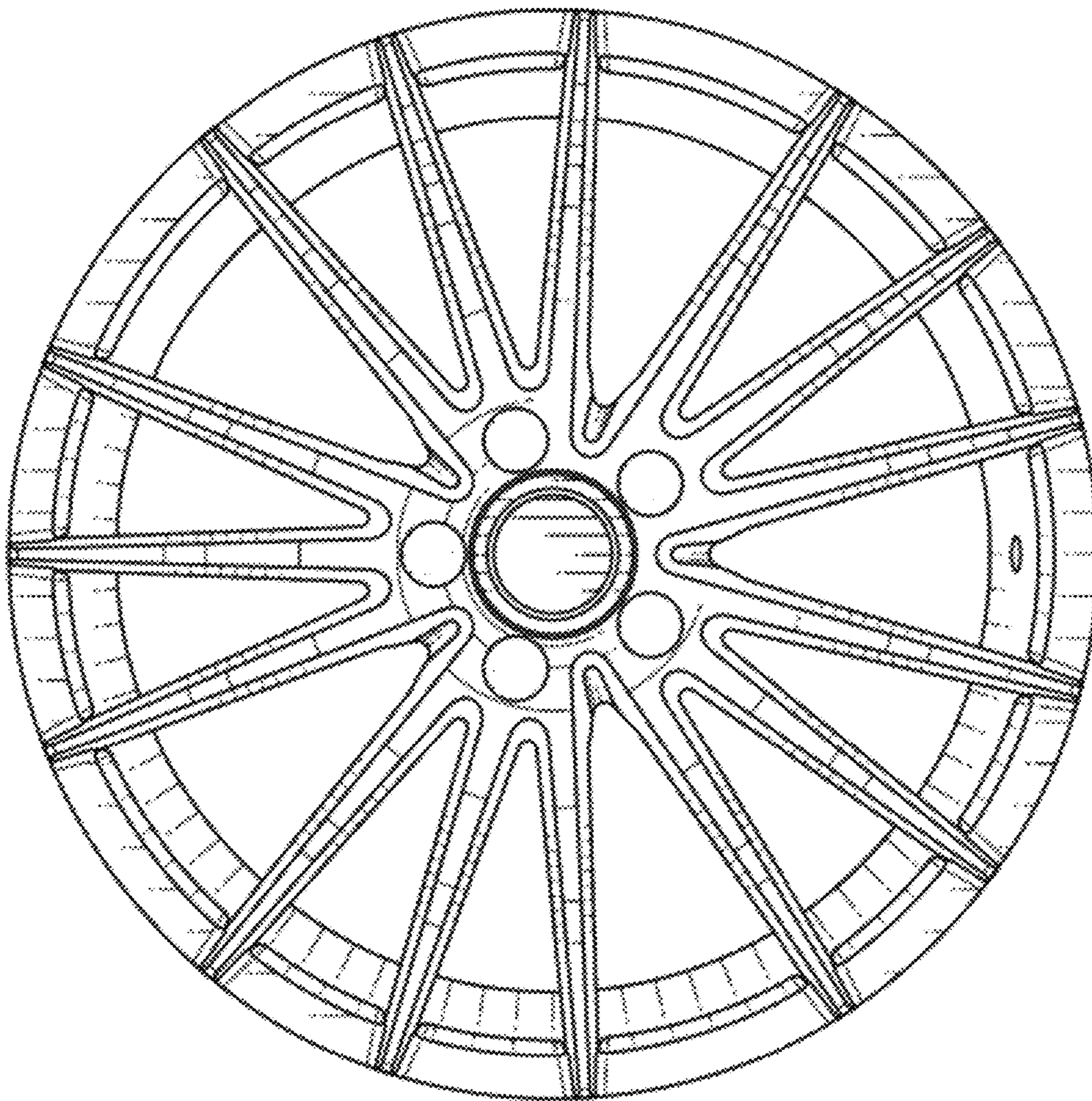


FIG. 2



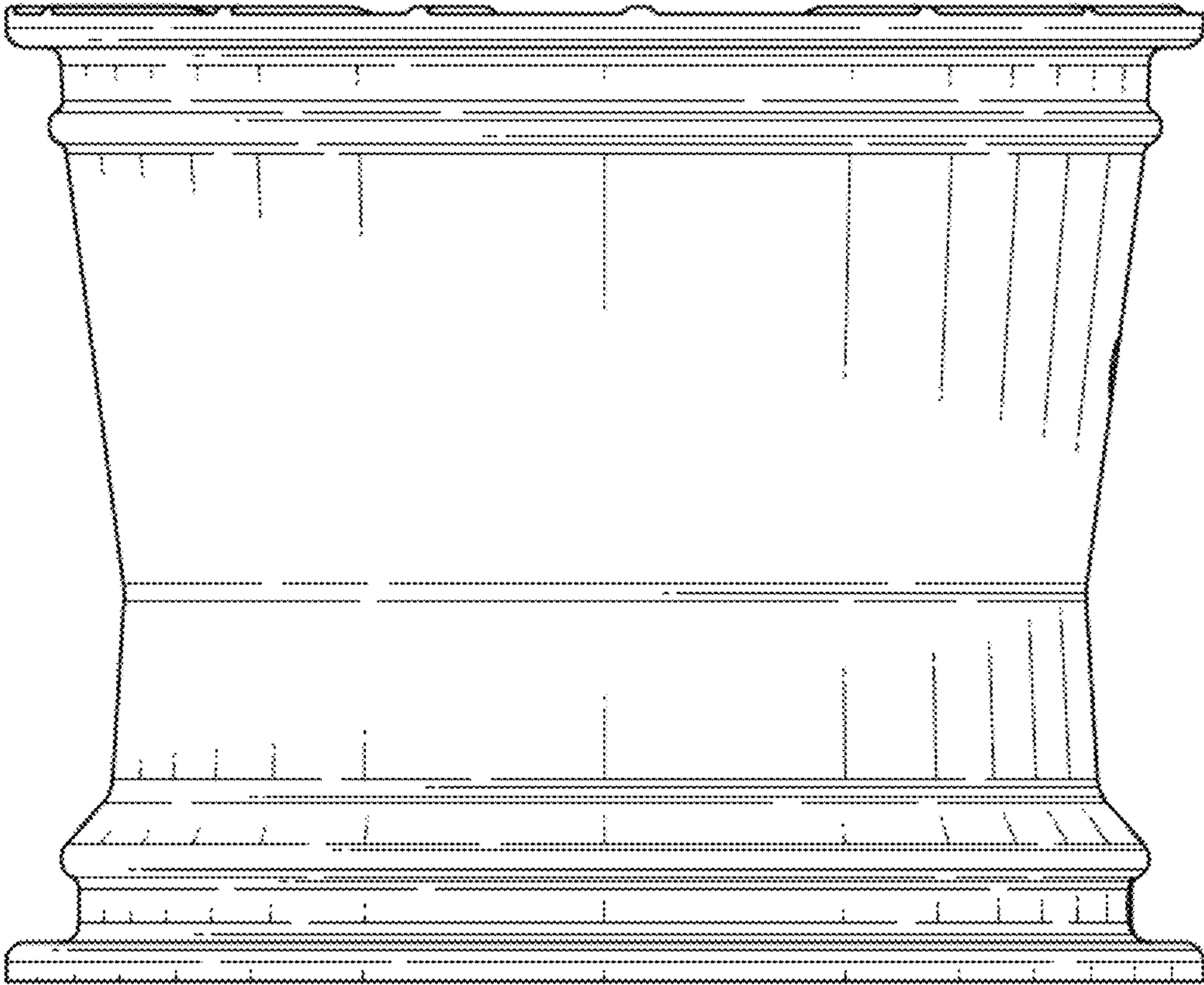


FIG. 3

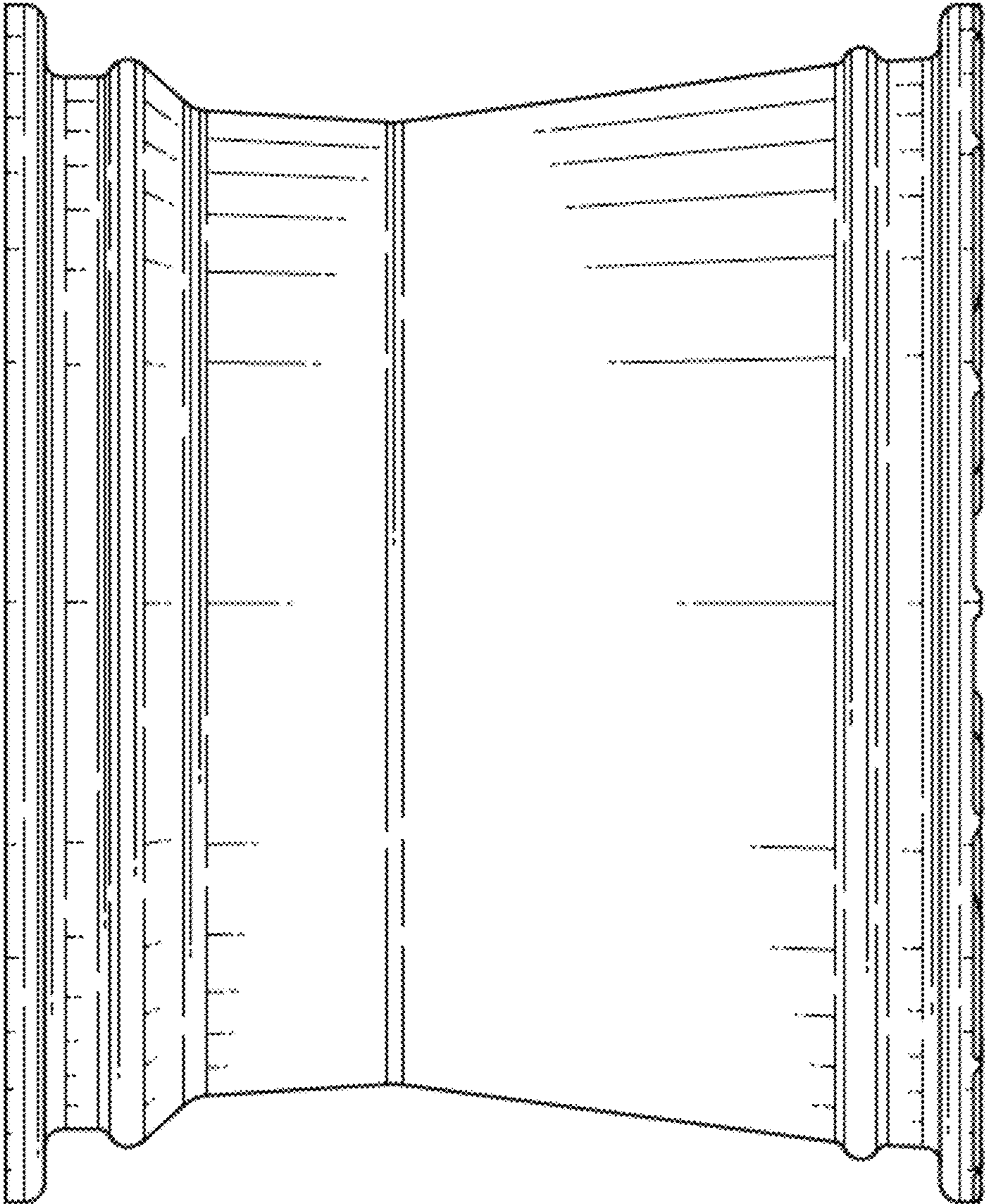


FIG. 4