



US00D864833S

(12) **United States Design Patent**
Han

(10) **Patent No.:** **US D864,833 S**

(45) **Date of Patent:** **** Oct. 29, 2019**

(54) **AUTOMOTIVE WHEEL**

(71) Applicant: **Donnie Han**, Corona, CA (US)

(72) Inventor: **Donnie Han**, Corona, CA (US)

(**) Term: **15 Years**

(21) Appl. No.: **29/664,350**

(22) Filed: **Sep. 24, 2018**

(51) **LOC (12) Cl.** **12-16**

(52) **U.S. Cl.**
USPC **D12/209**

(58) **Field of Classification Search**
USPC D12/204–213
CPC B60B 7/00; B60B 7/02; B60B 7/04; B60B 7/01; B60B 7/06; B60B 3/02; B60B 3/04; B60B 3/06; B60B 3/10; B60B 1/00; B60B 1/08; B60B 1/10; B60B 1/12
See application file for complete search history.

(56) **References Cited**

U.S. PATENT DOCUMENTS

D407,057 S *	3/1999	Goplen	D12/211
D465,758 S *	11/2002	Plessing	D12/211
D470,093 S *	2/2003	Frizzi	D12/209
D481,664 S *	11/2003	Vian	D12/211
D497,869 S *	11/2004	Guevara	D12/211
D515,004 S *	2/2006	Scheu	D12/211
D522,431 S *	6/2006	Hieke	D12/209
D526,946 S *	8/2006	Takechi	D12/209
D527,700 S *	9/2006	Guevara	D12/211

D540,236 S *	4/2007	Hamano	D12/209
D542,729 S *	5/2007	Hieke	D12/211
D551,147 S *	9/2007	Guevara	D12/209
D585,803 S *	2/2009	Hieke	D12/209
D596,100 S *	7/2009	Aroney	D12/211
D604,223 S *	11/2009	Dilber	D12/211
D622,200 S *	8/2010	Zhao	D12/211
D624,478 S *	9/2010	Zhao	D12/211
D641,301 S *	7/2011	Hilpert	D12/211
D664,910 S *	8/2012	Gallert	D12/211
D671,063 S *	11/2012	Hilpert	D12/211
D682,765 S *	5/2013	Alfonso	D12/211
D682,766 S *	5/2013	Zhao	D12/211
D683,688 S *	6/2013	Alfonso	D12/211
D741,776 S *	10/2015	Zhao	D12/211
D755,103 S *	5/2016	Hans	D12/211
D791,035 S *	7/2017	Palana	D12/209
D832,764 S *	11/2018	Valencia Pollex	D12/211

* cited by examiner

Primary Examiner — Stacia A Cadmus

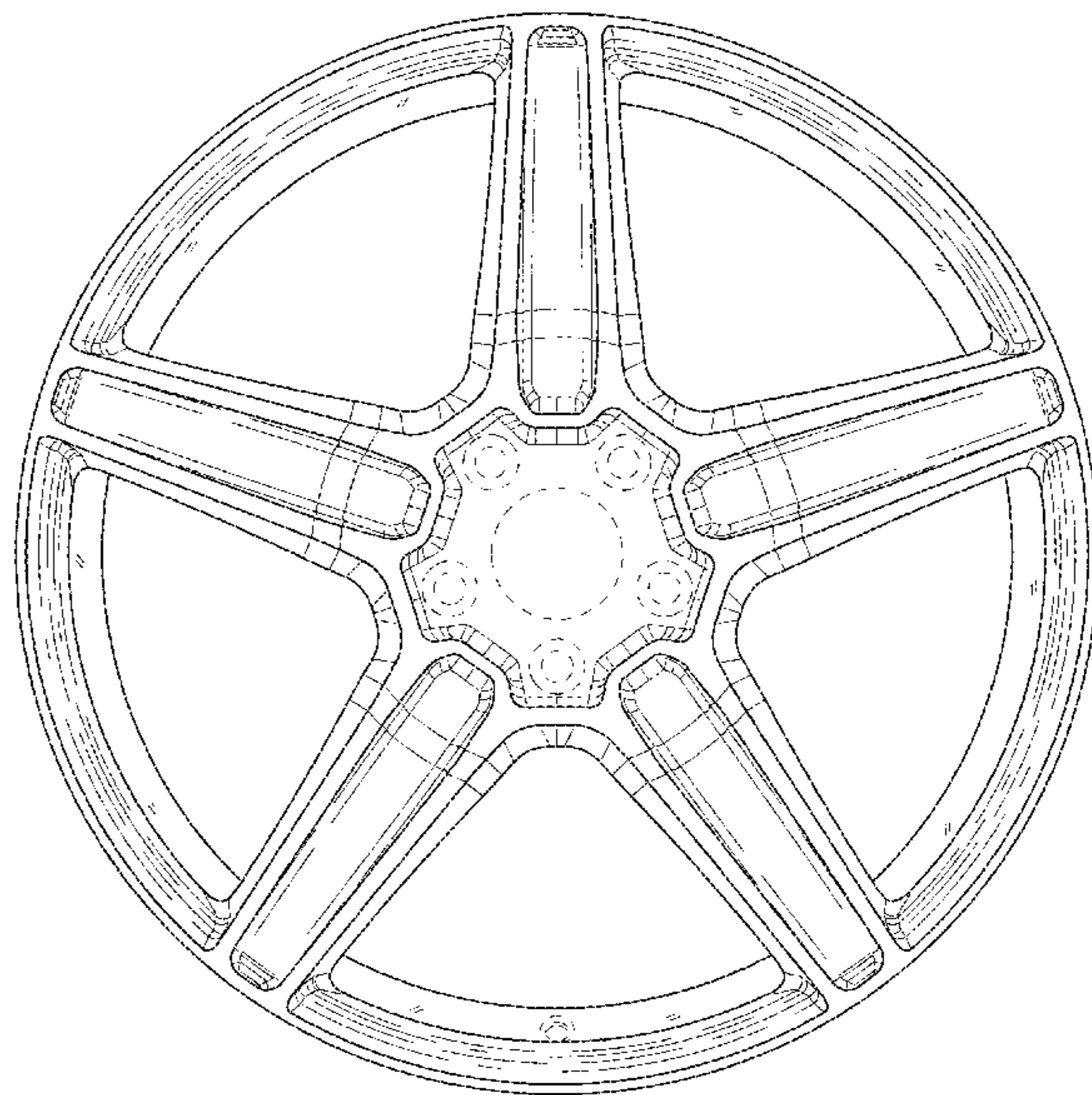
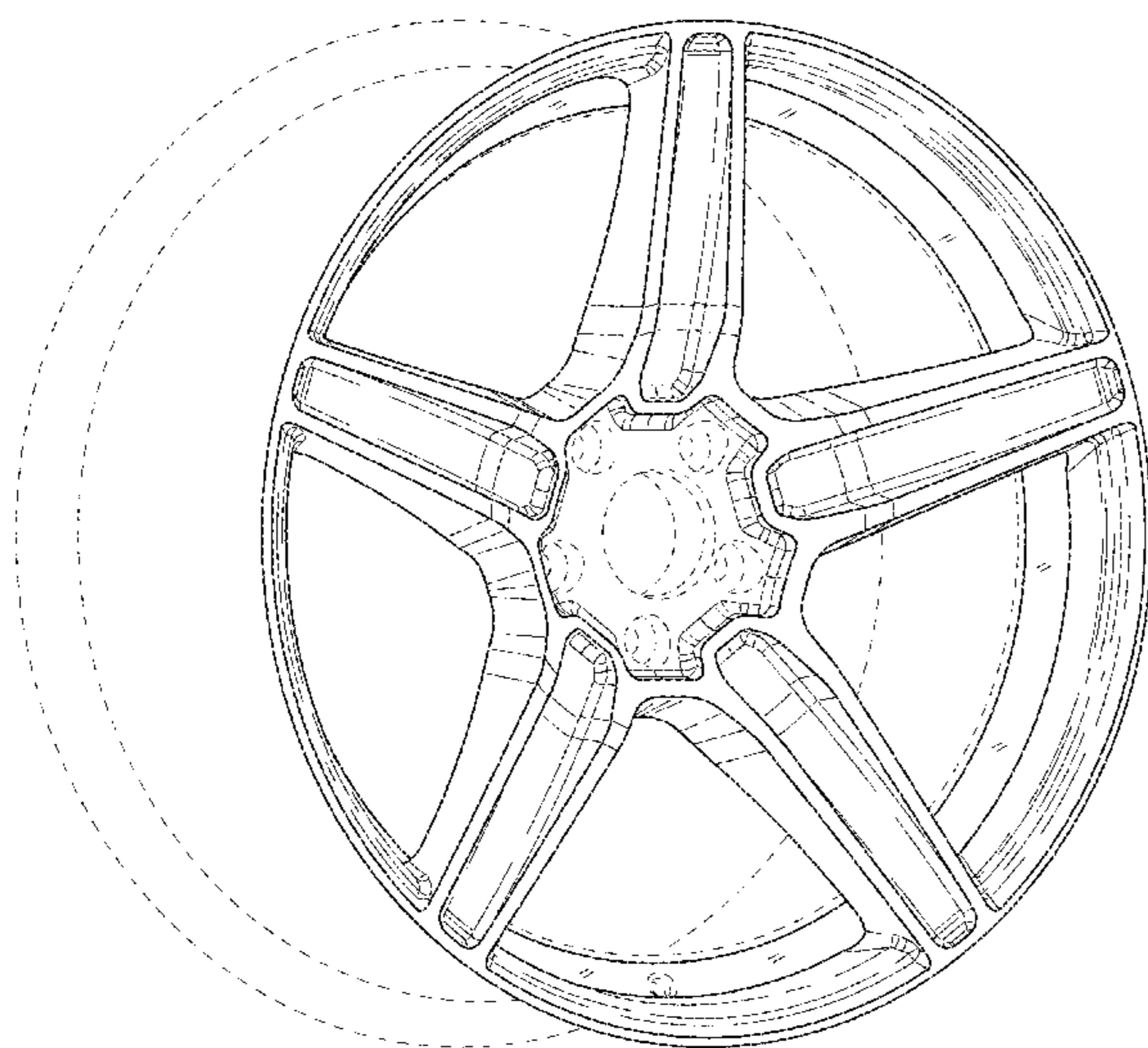
(57) **CLAIM**

The ornamental design for an automotive wheel, as shown and described.

DESCRIPTION

FIG. 1 is a perspective view of an automotive wheel, showing my new design; and, FIG. 2 is a front view thereof. In the drawings, the broken lines depict environmental subject matter and form no part of the claimed design.

1 Claim, 2 Drawing Sheets



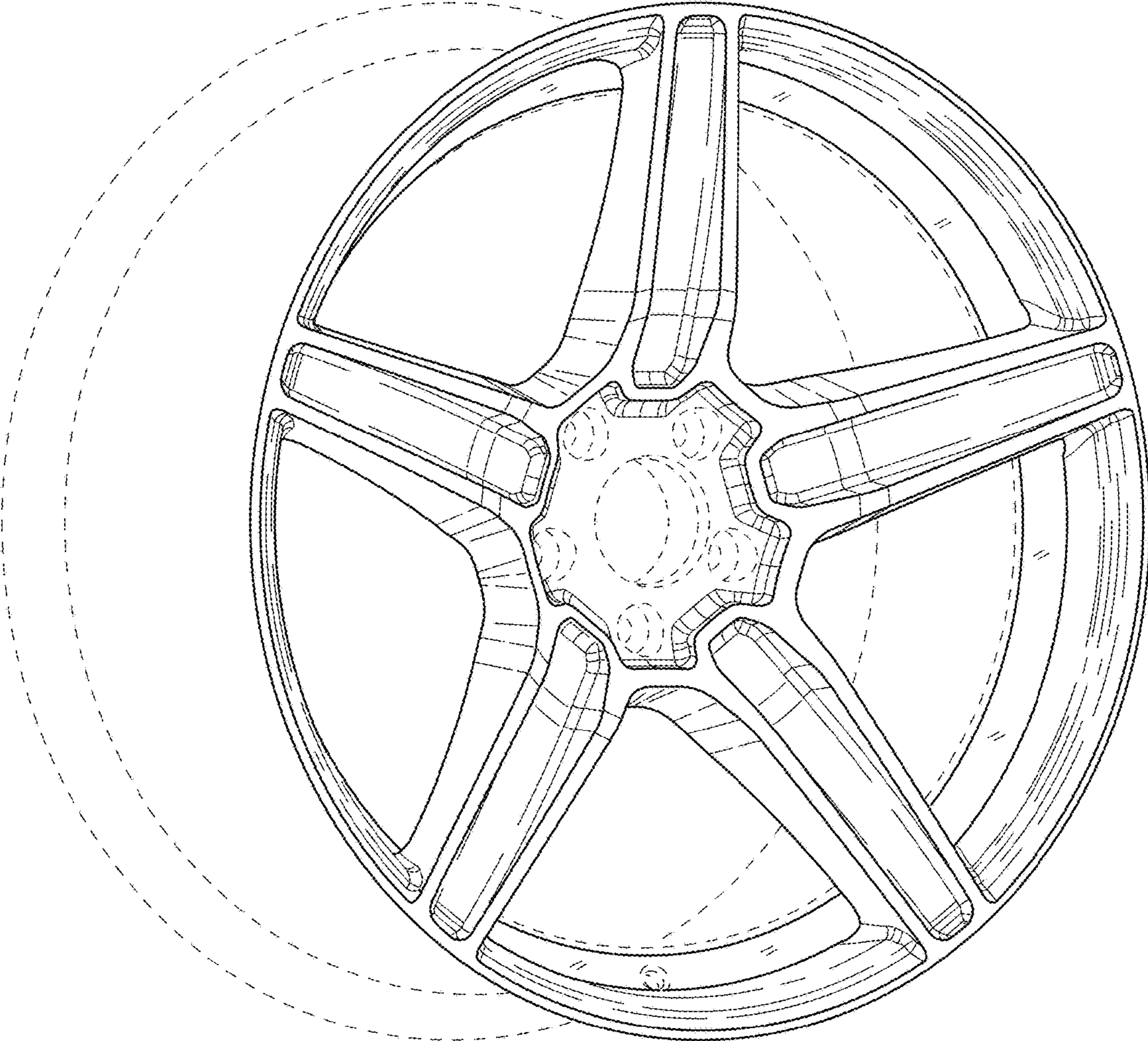


FIGURE 1

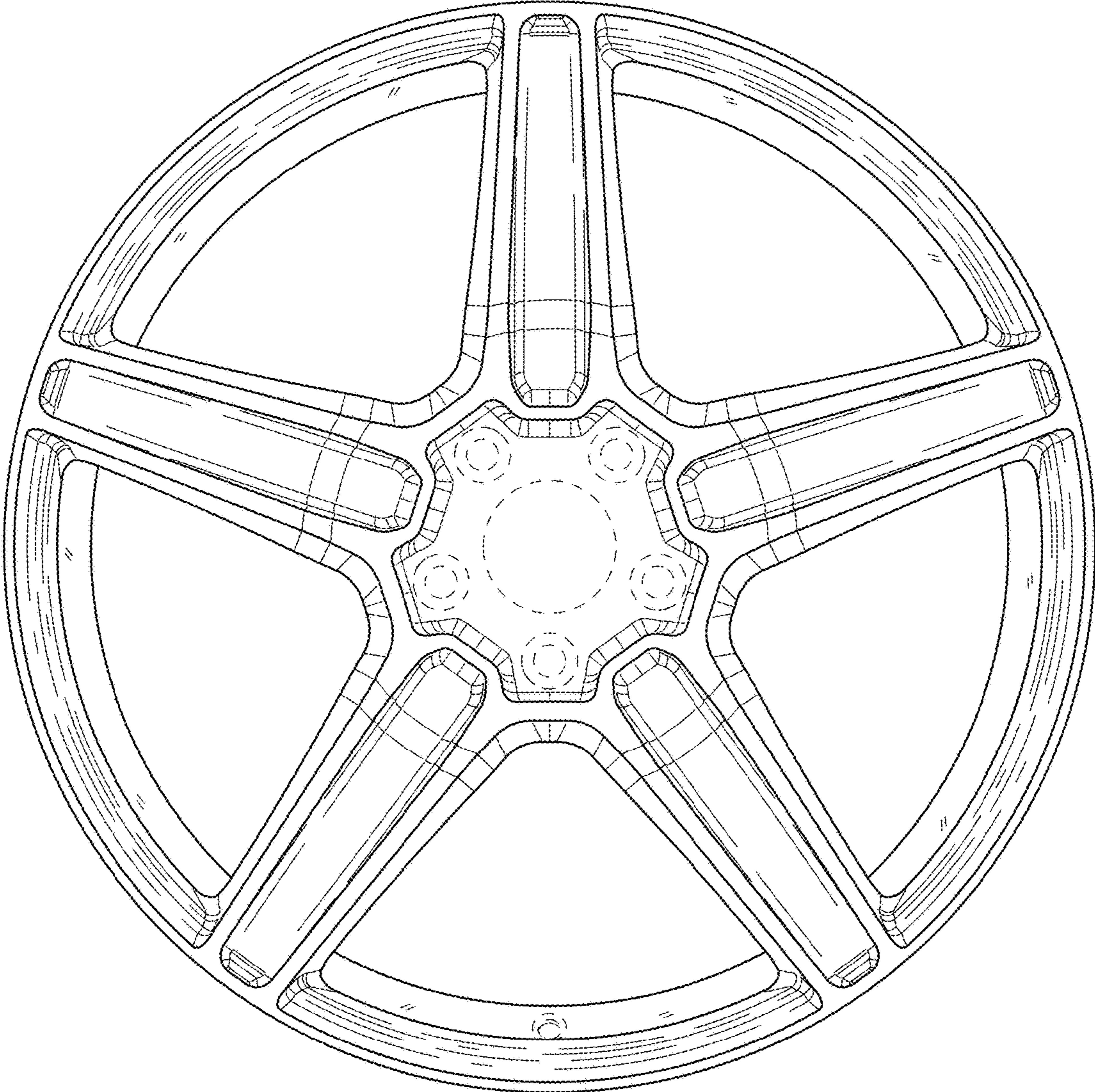


FIGURE 2