



US00D864832S

(12) **United States Design Patent**  
**Schell**

(10) **Patent No.:** **US D864,832 S**

(45) **Date of Patent:** **\*\* Oct. 29, 2019**

(54) **WHEEL**

(71) Applicant: **HONDA MOTOR CO., LTD.**,  
Minato-ku, Tokyo (JP)

(72) Inventor: **Damon Schell**, Long Beach, CA (US)

(73) Assignee: **Honda Motor Co., Ltd.**, Tokyo (JP)

(\*\*) Term: **15 Years**

(21) Appl. No.: **29/658,793**

(22) Filed: **Aug. 2, 2018**

(51) **LOC (12) Cl.** ..... **12-16**

(52) **U.S. Cl.**  
USPC ..... **D12/209**

(58) **Field of Classification Search**

USPC ..... D12/204–213  
CPC .... B60B 7/00; B60B 7/02; B60B 7/04; B60B  
7/01; B60B 7/06; B60B 3/04; B60B 1/00;  
B60B 3/10; B60B 1/10; B60B 1/08;  
B60B 3/06; B60B 1/12; B60B 3/02

See application file for complete search history.

(56) **References Cited**

**U.S. PATENT DOCUMENTS**

D502,909 S *	3/2005	Pfeiffer	.....	D12/211
D663,248 S *	7/2012	Kogawa	.....	D12/209
D716,712 S *	11/2014	Lemke	.....	D12/211
D723,989 S *	3/2015	Morikawa	.....	D12/209
D763,159 S *	8/2016	Valencia Pollex	.....	D12/209
D766,806 S *	9/2016	Tannen	.....	D12/211
D770,959 S *	11/2016	Chung	.....	D12/211
D783,493 S *	4/2017	Hubers	.....	D12/209

D798,216 S *	9/2017	Snyder	.....	D12/211
D822,571 S *	7/2018	Park	.....	D12/209
D827,545 S *	9/2018	Kawaguchi	.....	D12/209
D832,179 S *	10/2018	Behmer	.....	D12/211
D833,944 S *	11/2018	Gallert	.....	D12/209
D844,528 S *	4/2019	Wheel	.....	D12/209

\* cited by examiner

*Primary Examiner* — Stacia A Cadmus

(74) *Attorney, Agent, or Firm* — Arent Fox LLP

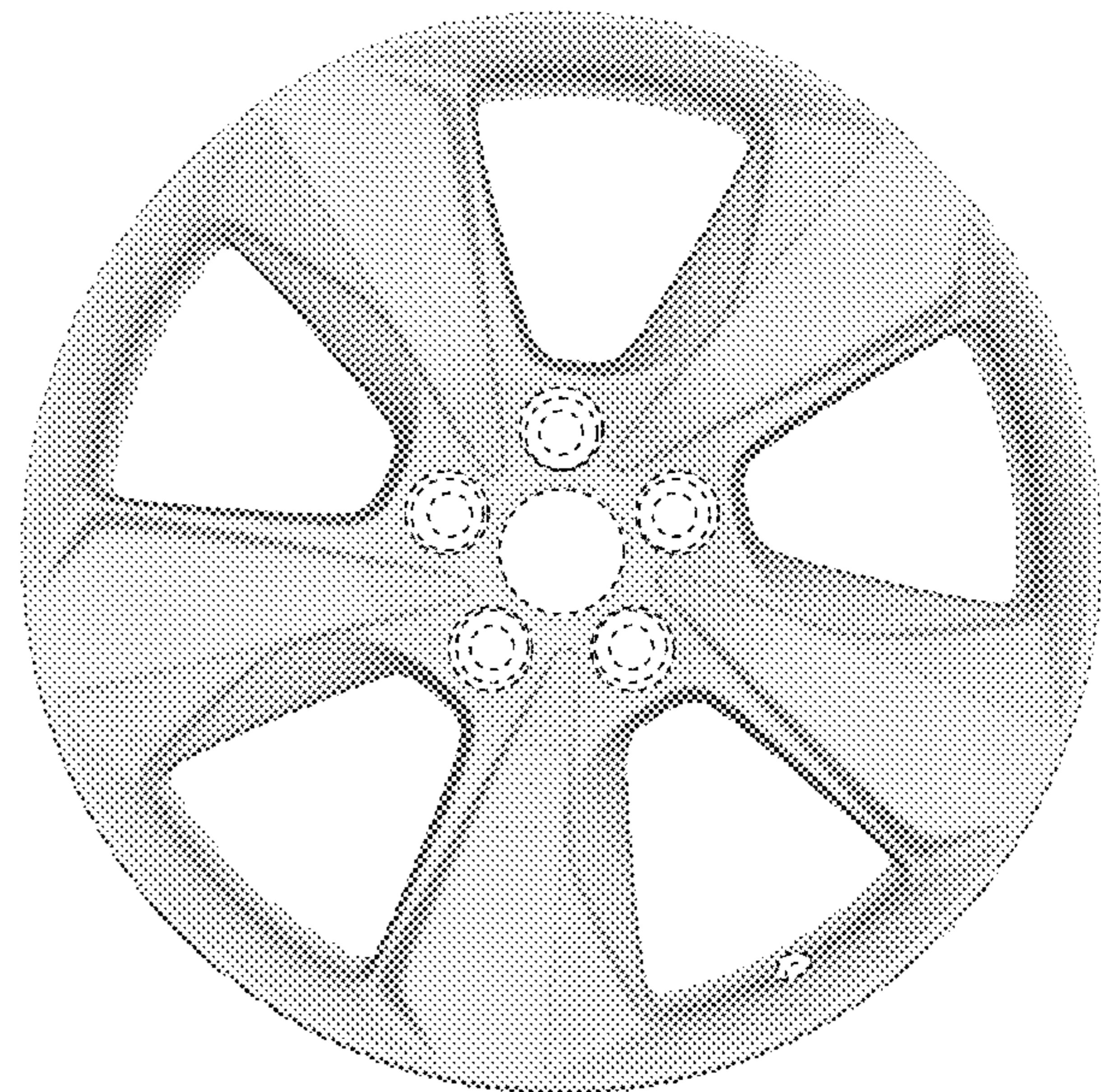
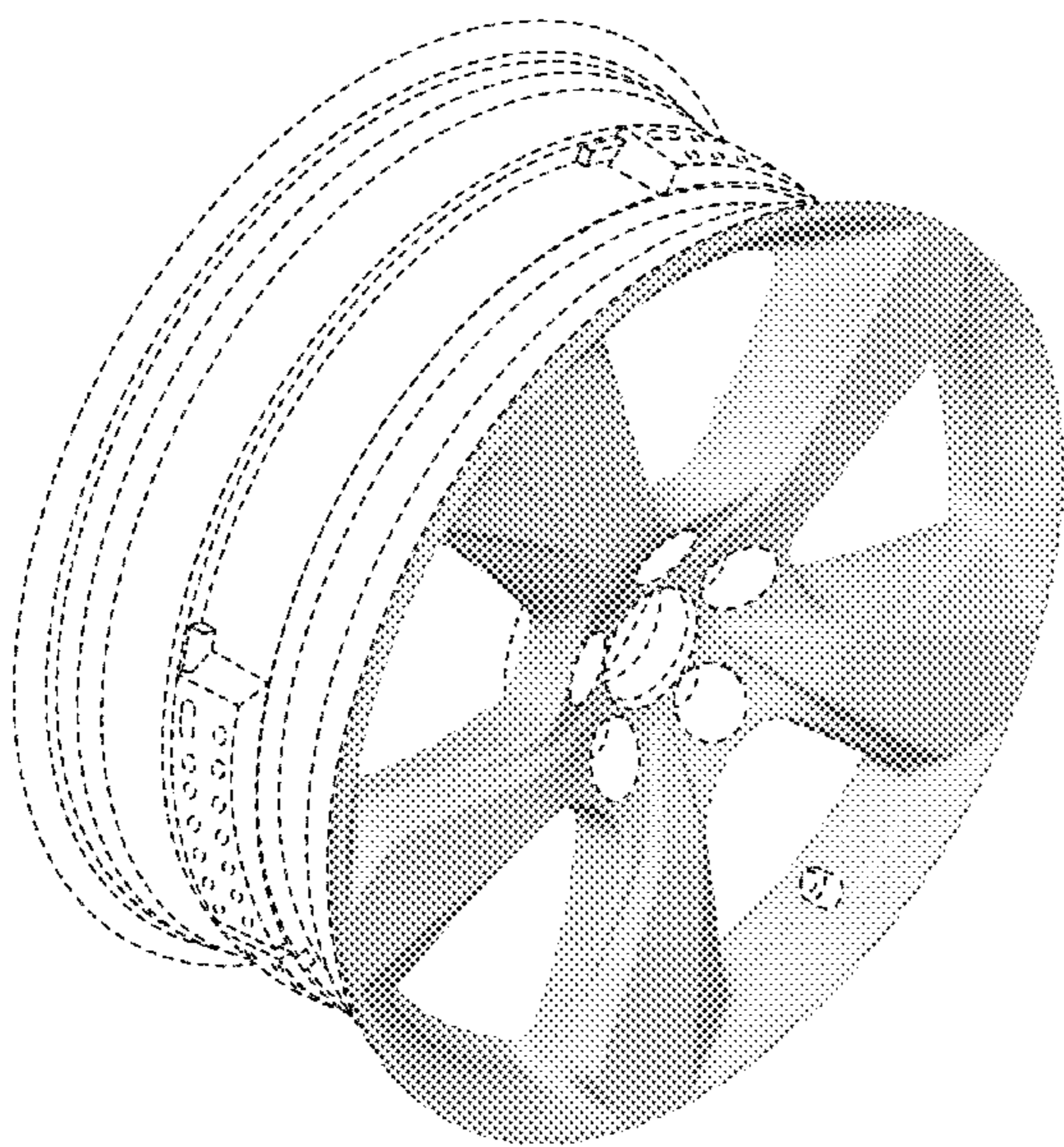
(57) **CLAIM**

The ornamental design for a wheel, as shown and described.

**DESCRIPTION**

FIG. 1 is a front left perspective view of a wheel showing my new design;  
 FIG. 2 is a front right perspective view of the design shown in FIG. 1;  
 FIG. 3 is a rear left perspective view of the design shown in FIG. 1;  
 FIG. 4 is a rear right perspective view of the design shown in FIG. 1;  
 FIG. 5 is a front view of the design shown in FIG. 1;  
 FIG. 6 is a rear view of the design shown in FIG. 1;  
 FIG. 7 is a right side view of the design shown in FIG. 1;  
 FIG. 8 is a left side view of the design shown in FIG. 1;  
 FIG. 9 is a top view of the design shown in FIG. 1; and,  
 FIG. 10 is a bottom view of the design shown in FIG. 1.  
 The broken lines shown in the figures are included for the purpose of illustrating portions of the wheel and form no part of the claimed design.

**1 Claim, 10 Drawing Sheets**



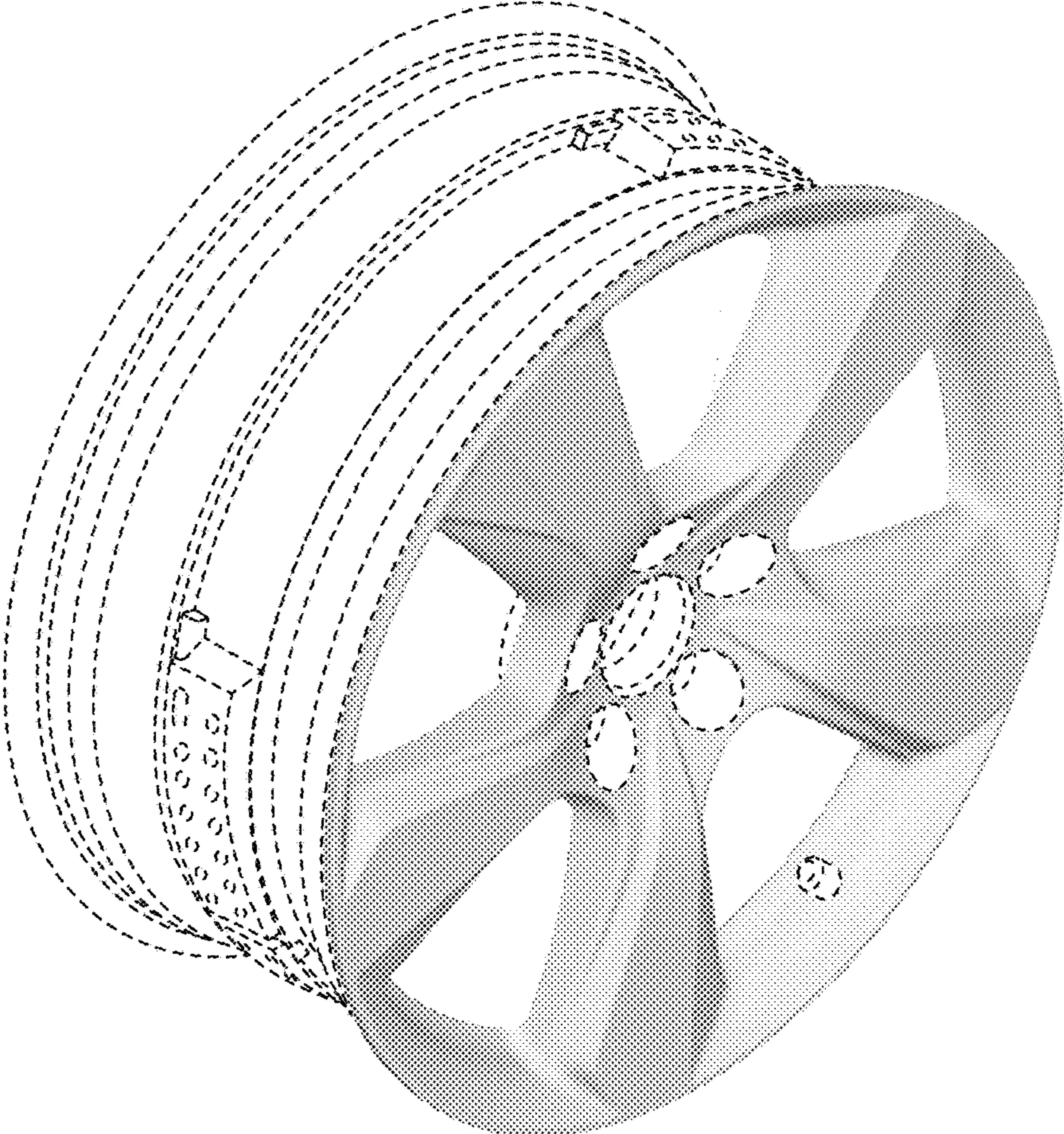


FIG. 1

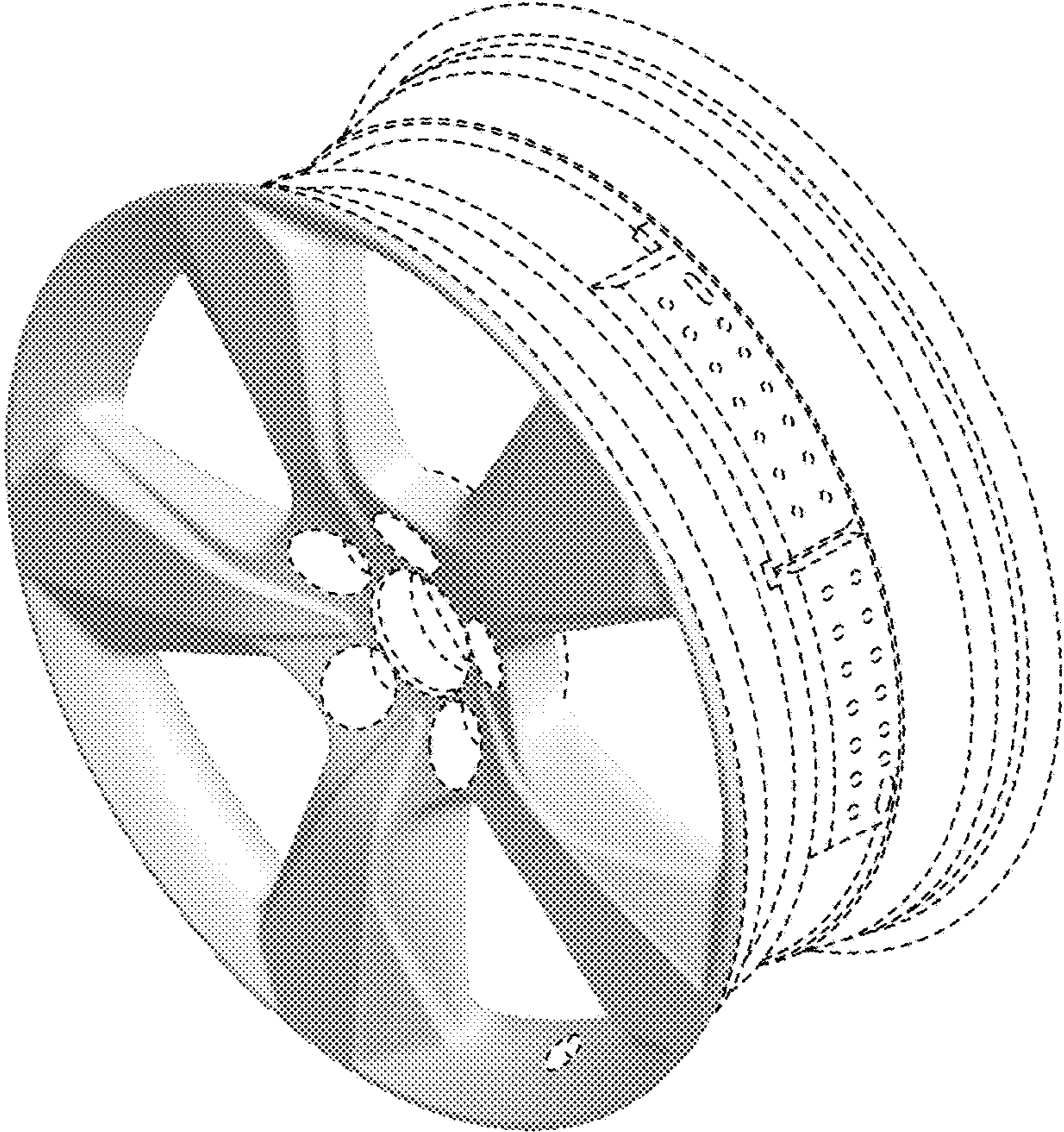


FIG. 2

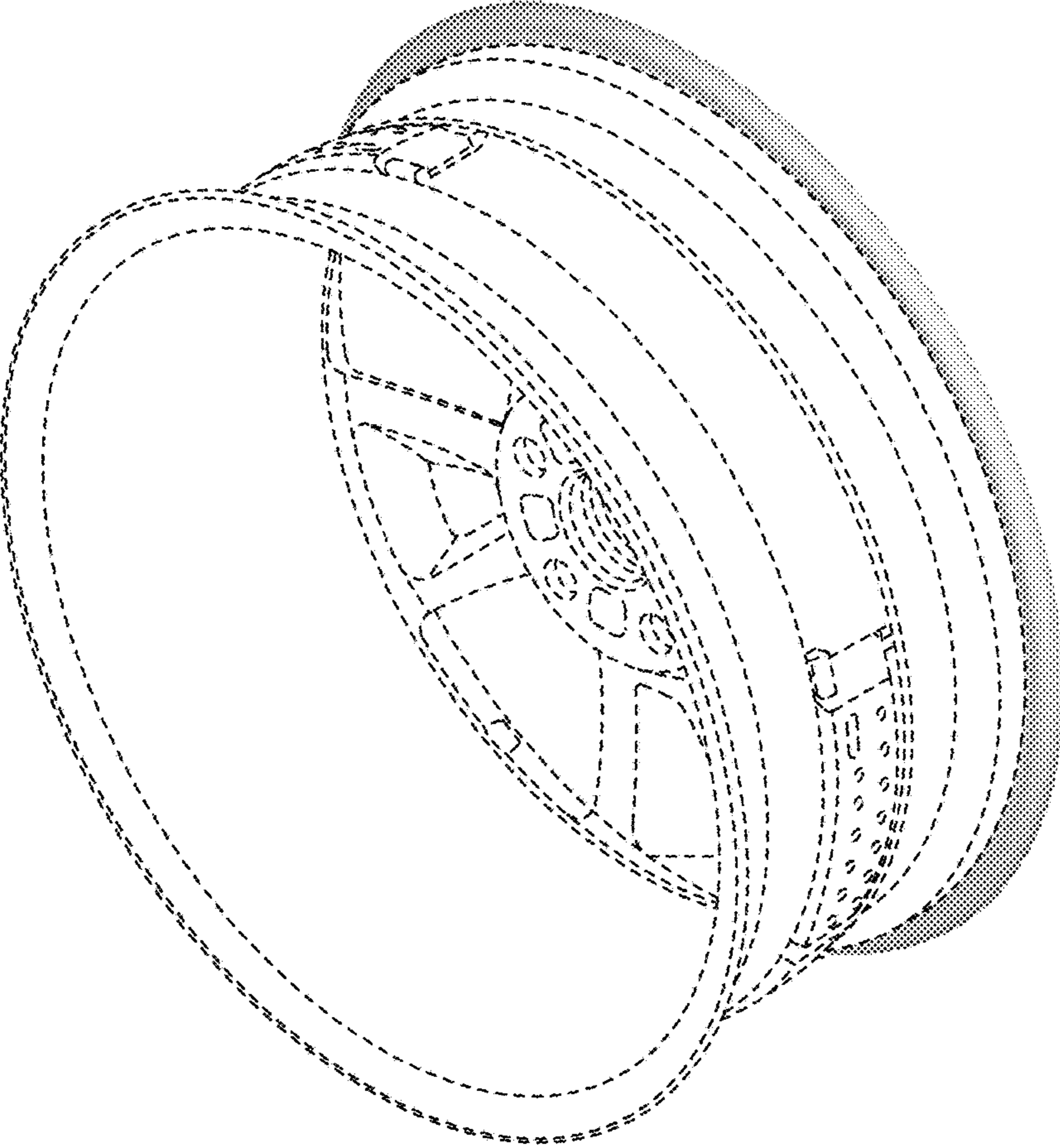


FIG. 3

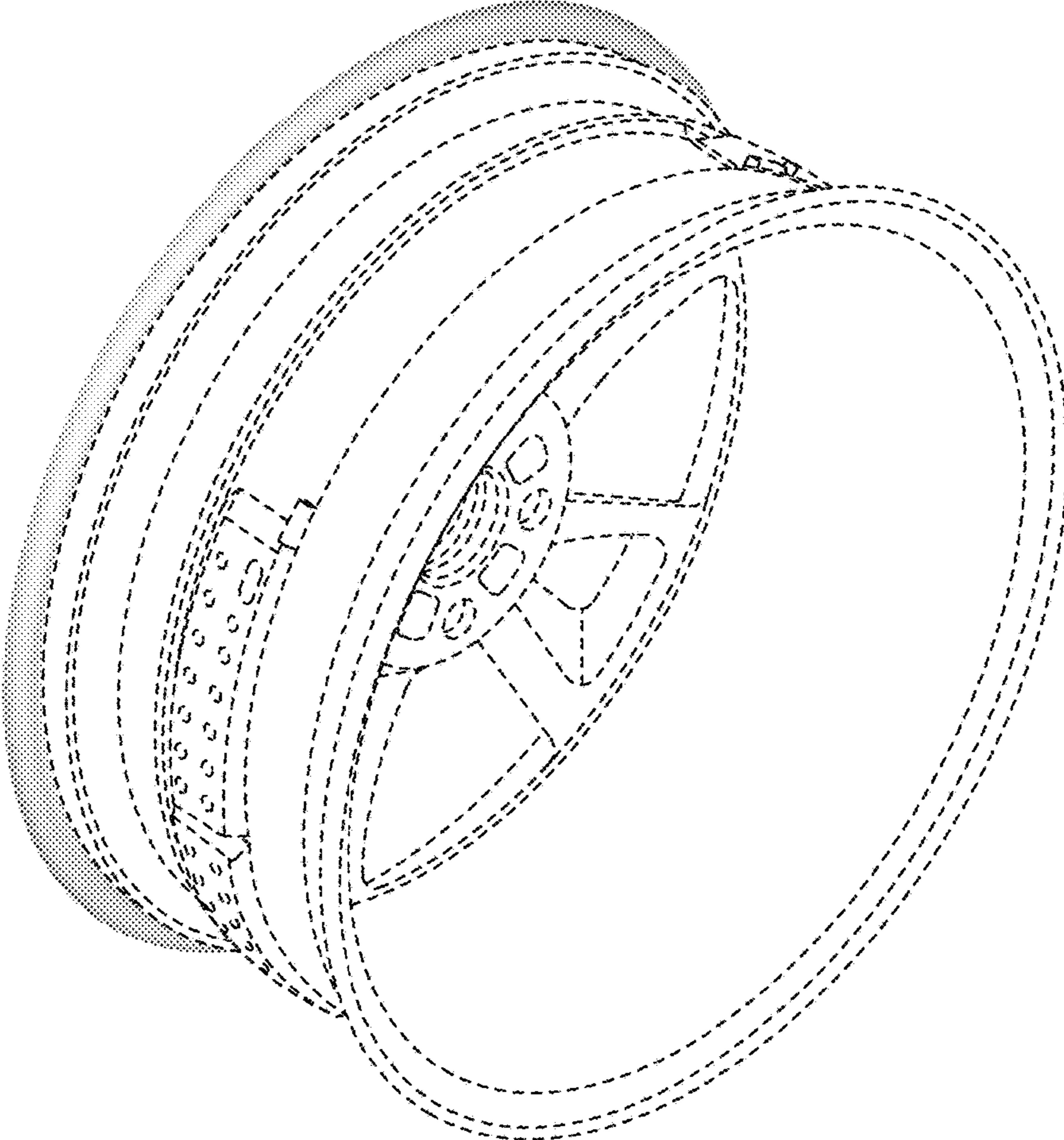


FIG. 4

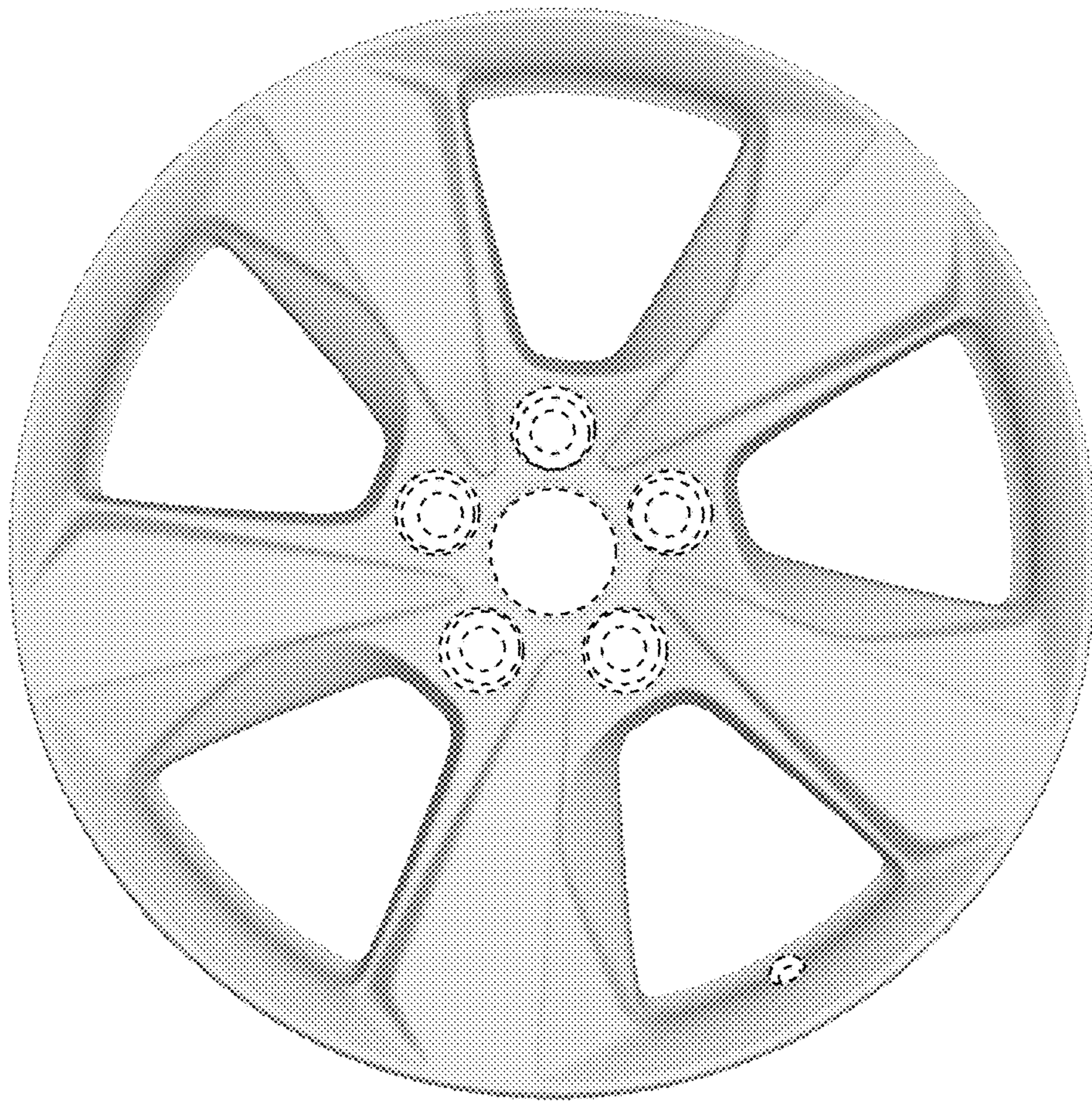


FIG. 5

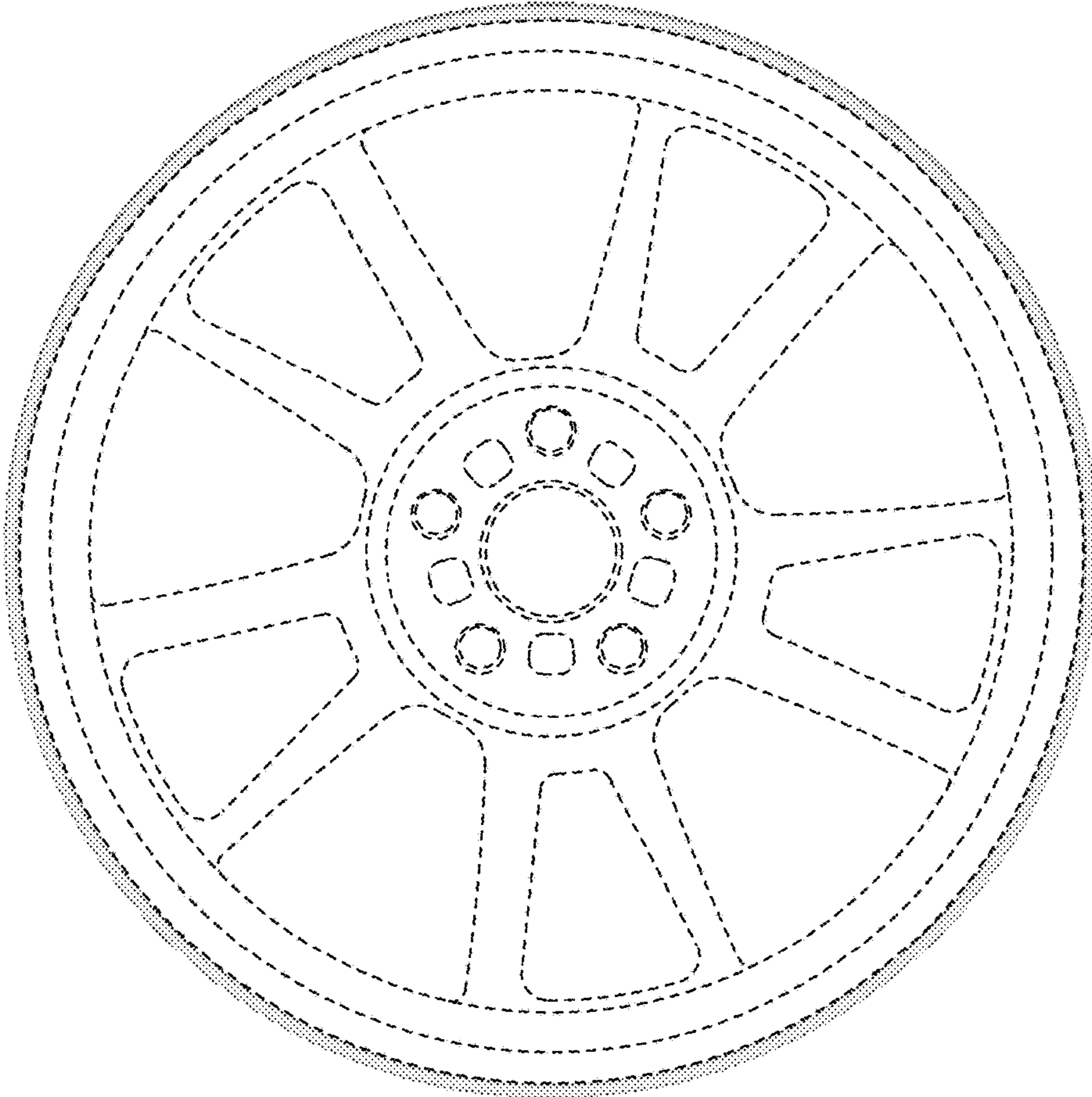


FIG. 6

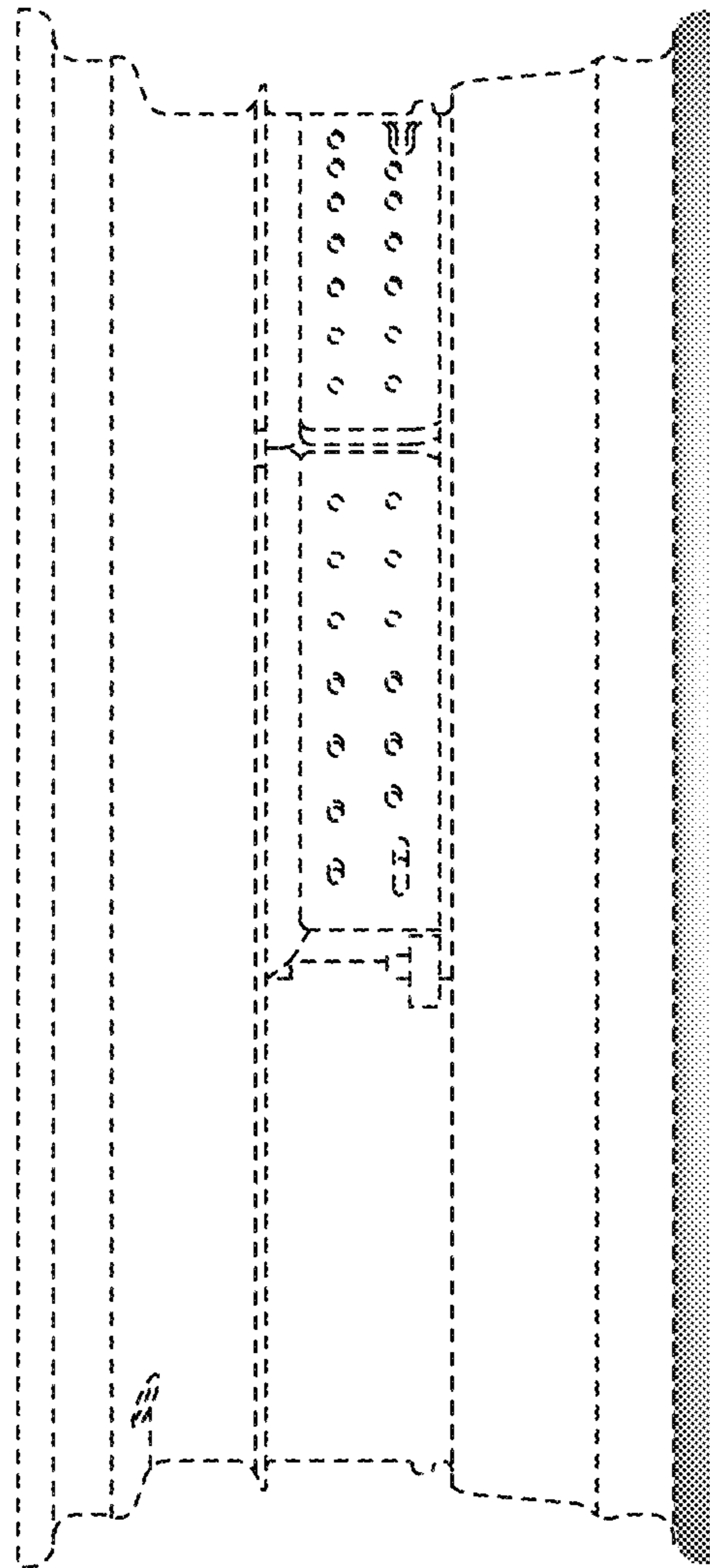


FIG. 7



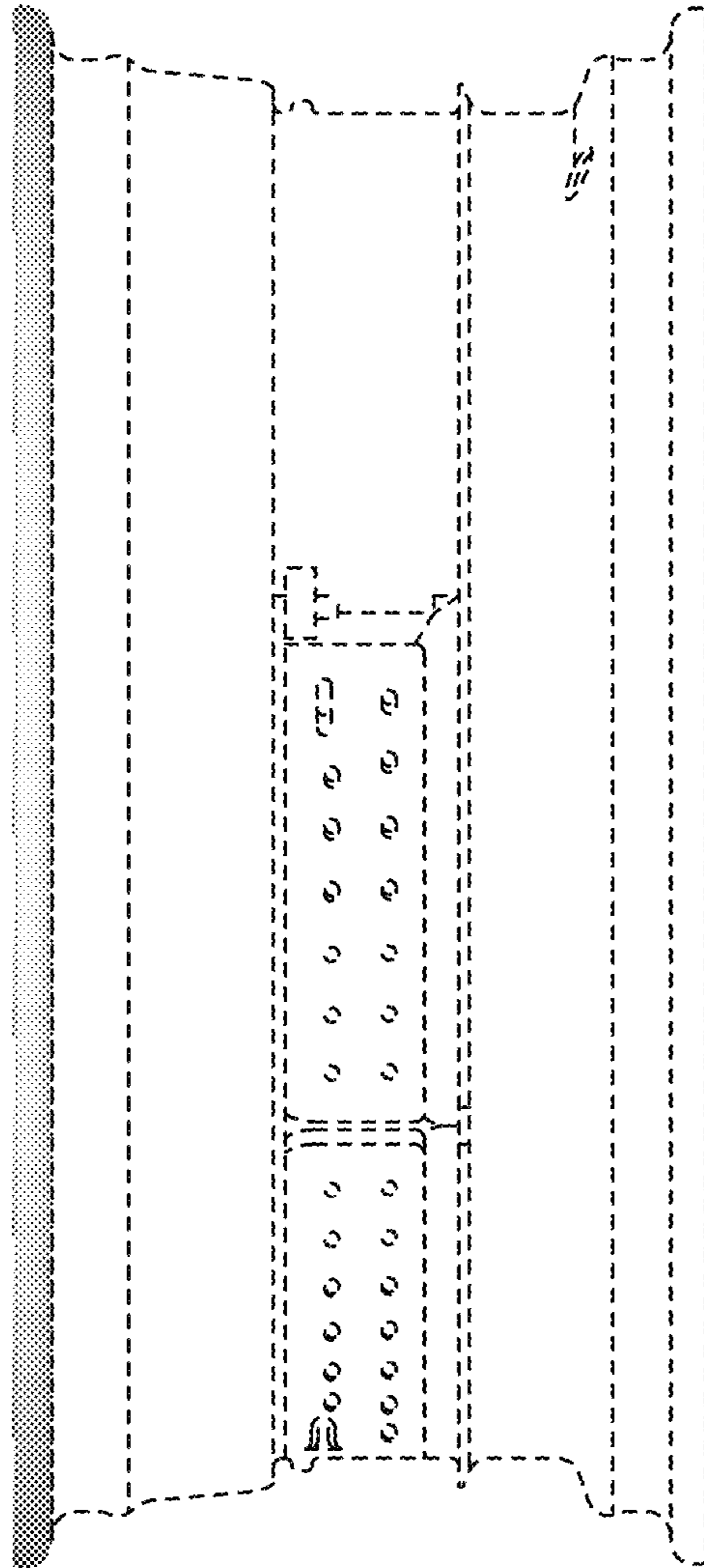


FIG. 8

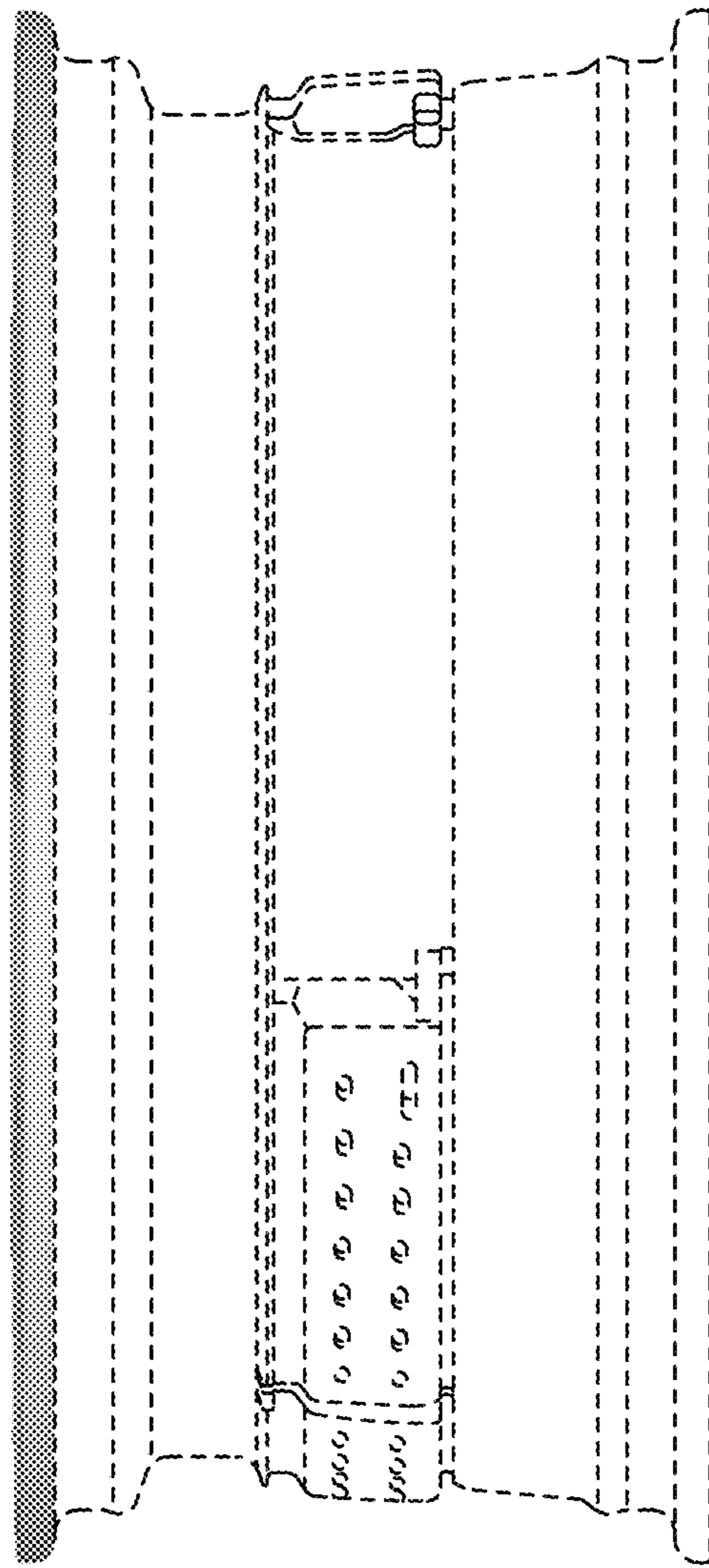


FIG. 9

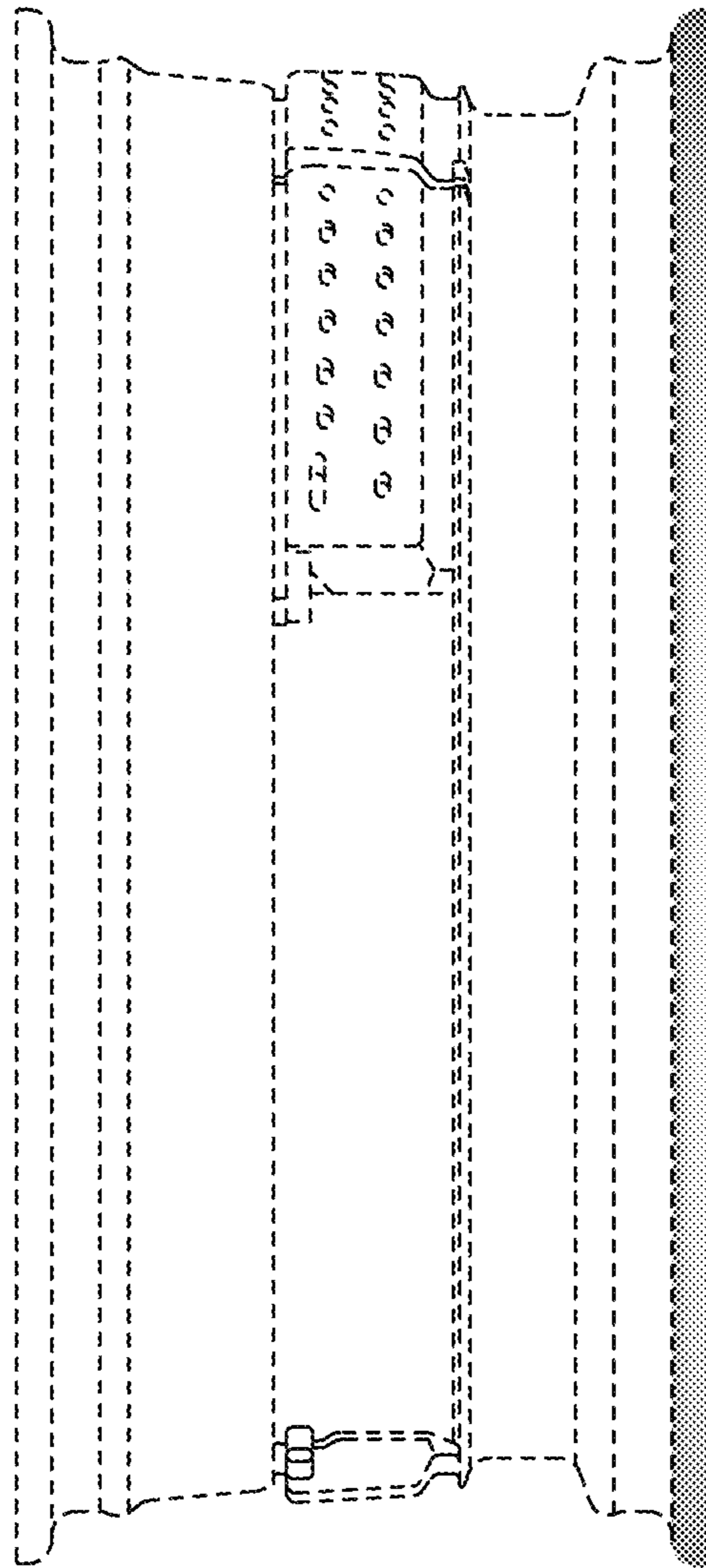


FIG. 10