



US00D864828S

(12) **United States Design Patent**
Chung

(10) **Patent No.:** **US D864,828 S**

(45) **Date of Patent:** **** *Oct. 29, 2019**

- (54) **AUTOMOTIVE WHEEL**
- (71) Applicant: **Design Infini, Inc.**, Corona, CA (US)
- (72) Inventor: **Suny Chung**, Anaheim, CA (US)
- (73) Assignee: **Design Infini, Inc.**, Corona, CA (US)
- (*) Notice: This patent is subject to a terminal disclaimer.
- (**) Term: **15 Years**
- (21) Appl. No.: **29/546,282**
- (22) Filed: **Nov. 20, 2015**
- (51) **LOC (12) Cl.** **12-16**
- (52) **U.S. Cl.**
USPC **D12/209**
- (58) **Field of Classification Search**
USPC D12/204, 205, 206, 207, 208, 209, 210, 211, 212, 213
CPC B60B 7/00; B60B 7/01; B60B 7/02; B60B 7/04; B60B 7/06; B60B 3/02; B60B 3/04; B60B 3/06; B60B 3/10; B60B 1/00; B60B 1/08; B60B 1/10; B60B 1/12
See application file for complete search history.

D780,086 S *	2/2017	Galante	D12/210
D792,827 S *	7/2017	Chung	D12/209
D797,027 S *	9/2017	Guo	D12/210
D798,211 S *	9/2017	Chung	D12/209
D798,212 S *	9/2017	Chung	D12/209
D843,295 S *	3/2019	Ash	D12/209
2013/0340908 A1 *	12/2013	Wirth	B60B 7/06 301/108.3

OTHER PUBLICATIONS

http://www.wayneswheels.net/WORX_WHEELS.html—Published Aug. 6, 2016.*
<https://www.amazon.com/Worx-Rebel-Gloss-Milled-809-8904BM/dp/B01AR7PN3Y/>—Available as early as Jan. 14, 2016.*
 “Worx 809 Rebel Gloss Black Milled 18x9 5x4.5 / 5x5 12mm (809-8904BM+12)” [online]. WORX. [Available as early as Jan. 14, 2016]. Retrieved from the Internet: <https://www.amazon.com/Worx-Rebel-Gloss-Milled-809-8904BM/dp/B01AR7PN3Y/>.*

* cited by examiner

Primary Examiner — Khawaja Anwar
Assistant Examiner — Mojtaba Tehrani
 (74) *Attorney, Agent, or Firm* — Knobbe, Martens, Olson & Bear, LLP

(57) **CLAIM**

The ornamental design for an automotive wheel, as shown and described.

DESCRIPTION

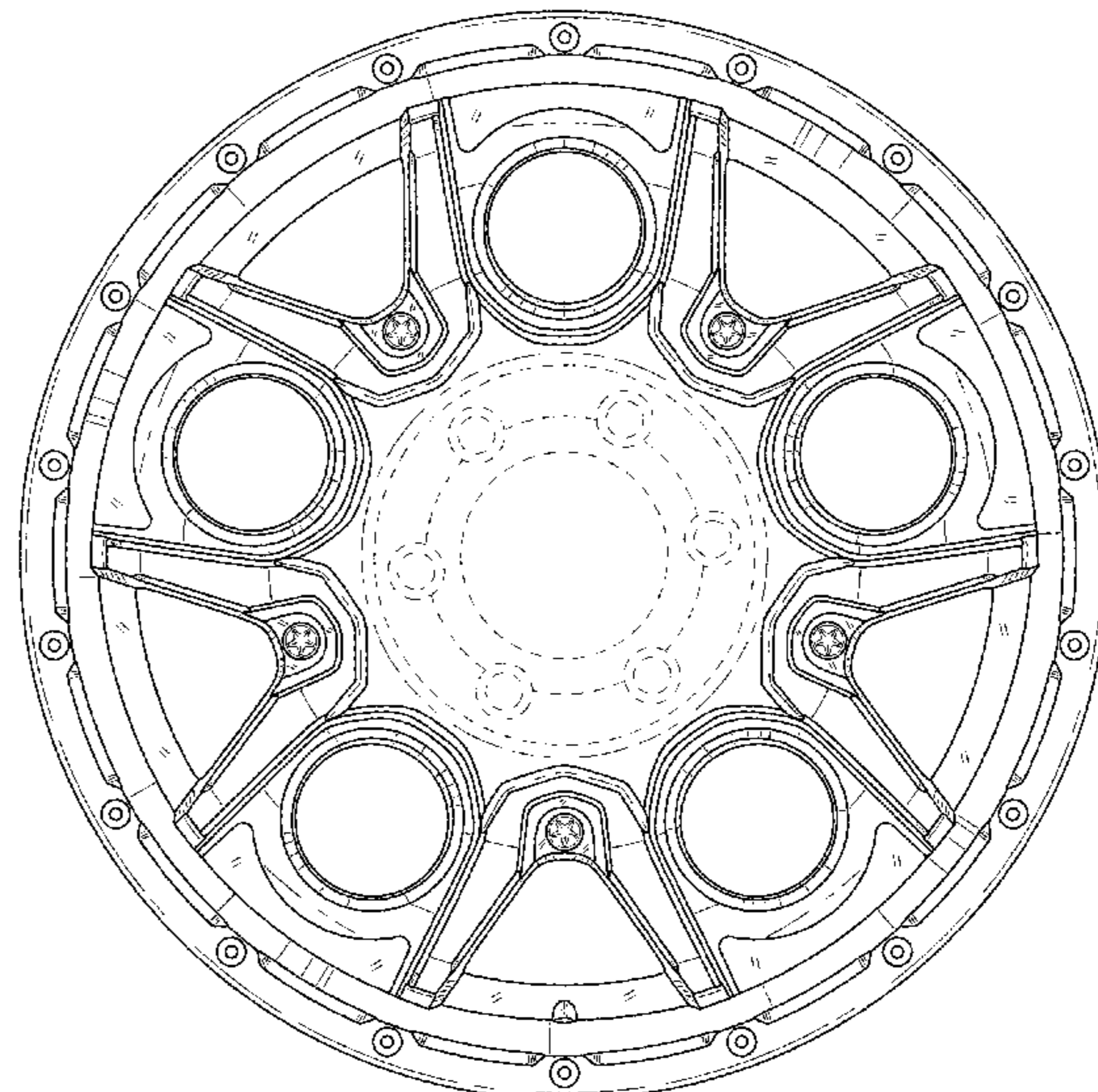
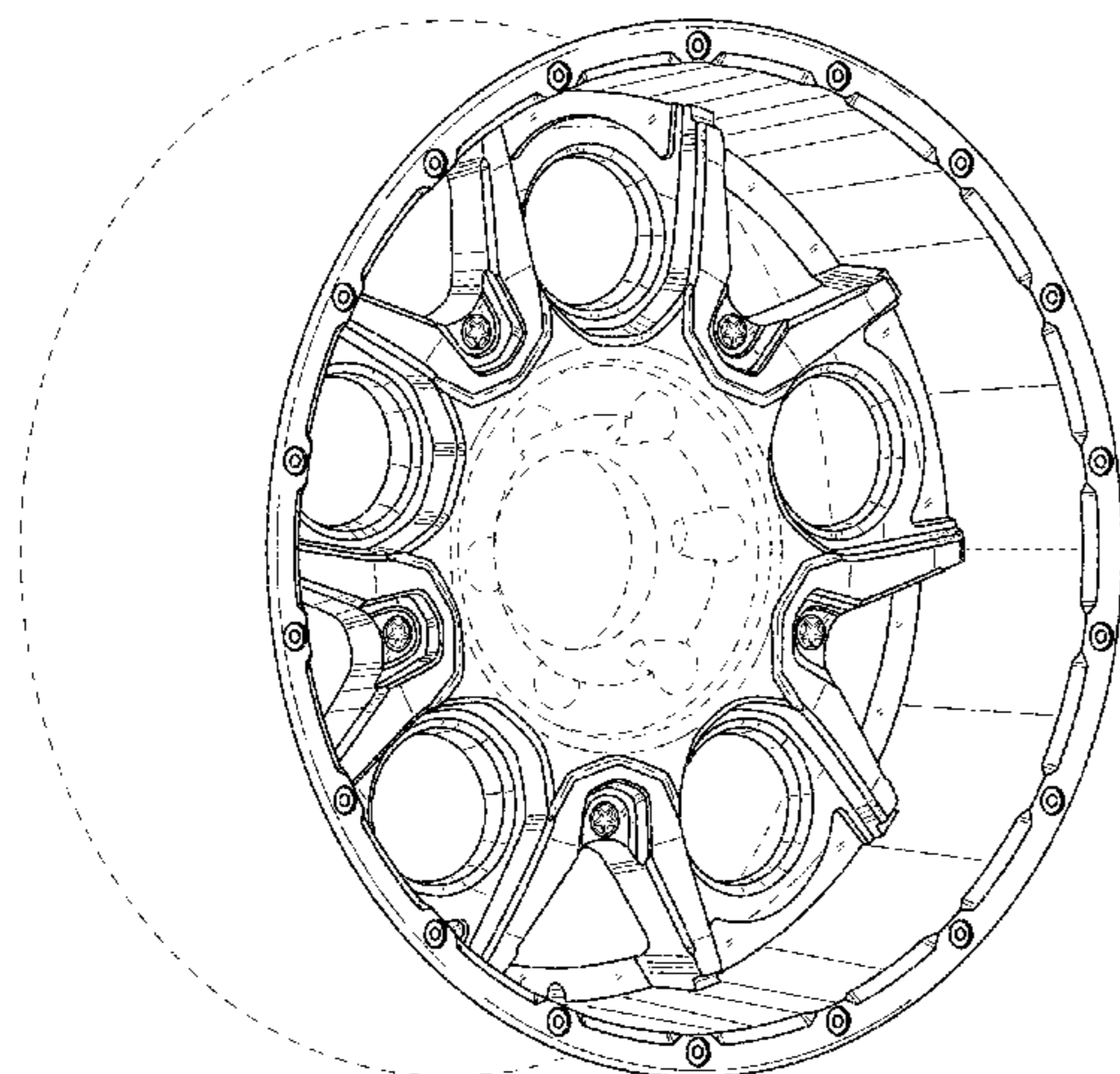
FIG. 1 is a perspective view of the first embodiment of an automobile wheel, showing my new design;
 FIG. 2 is a front view thereof;
 FIG. 3 is a perspective view of the second embodiment of an automobile wheel; and,
 FIG. 4 is a front view thereof.
 The broken lines in the figures illustrate portions of the article that form no part of the claimed design.

1 Claim, 4 Drawing Sheets

(56) **References Cited**

U.S. PATENT DOCUMENTS

4,457,560 A *	7/1984	Rowe	B60B 7/06 301/108.3
D361,975 S *	9/1995	Weld	D12/209
D542,212 S *	5/2007	Simpson	D12/213
D576,093 S *	9/2008	Chung	D12/210
D593,475 S *	6/2009	Chung	D12/210
D631,419 S *	1/2011	Kim	D12/209
D670,222 S *	11/2012	Chung	D12/213
D701,480 S *	3/2014	Kong	D12/209
D751,022 S *	3/2016	Chung	D12/209
D751,489 S *	3/2016	Chung	D12/209



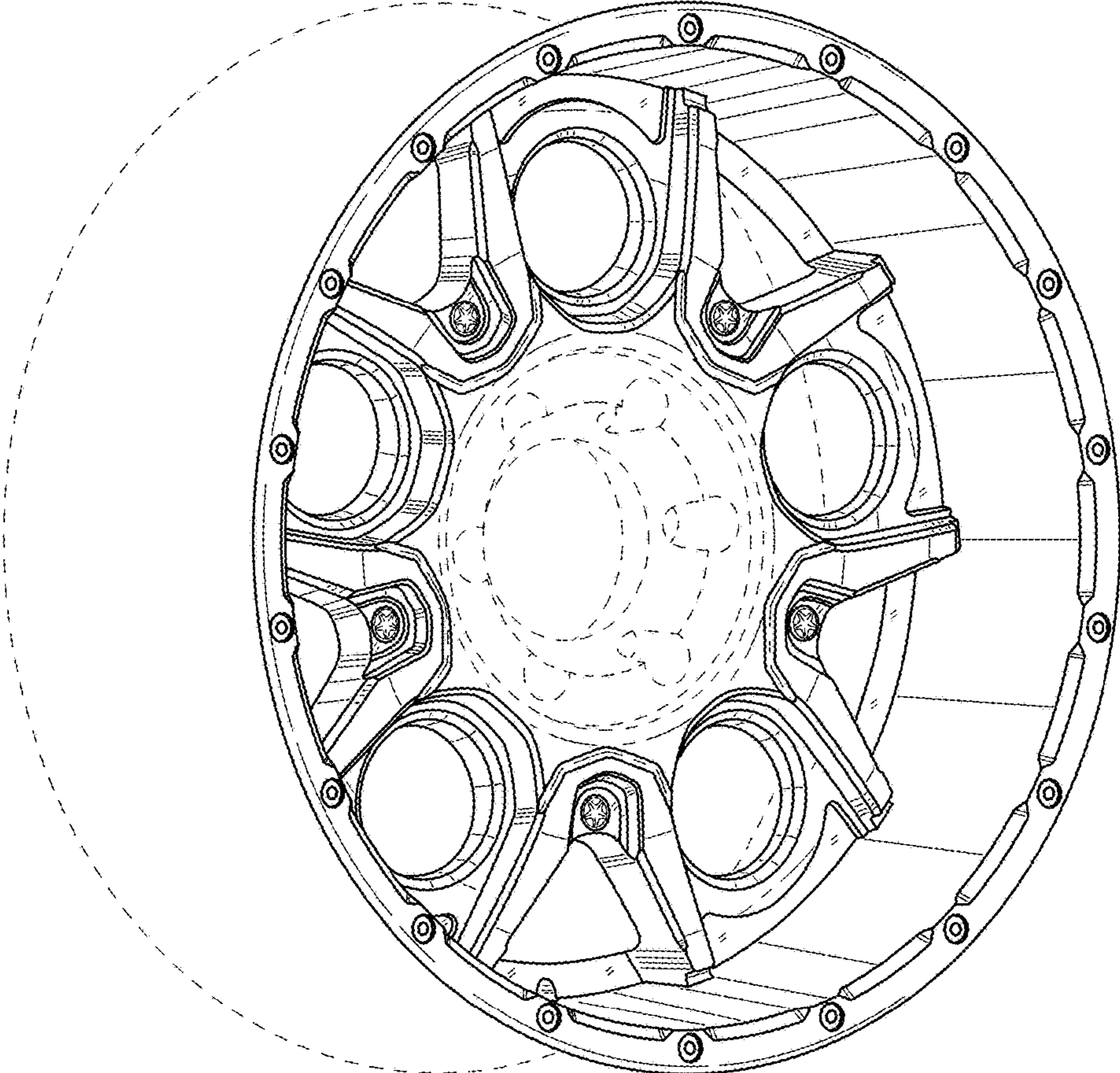


FIGURE 1

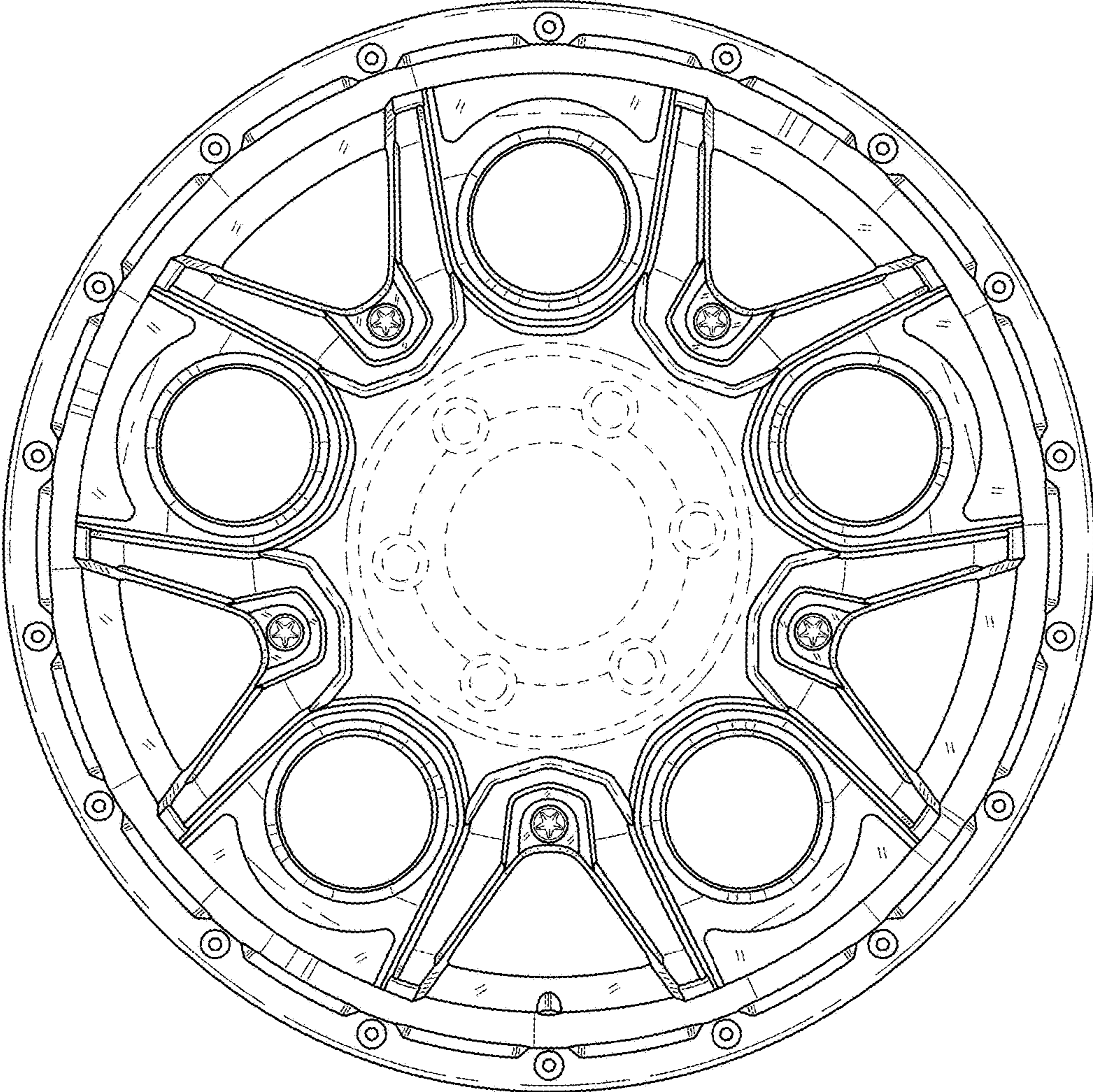


FIGURE 2

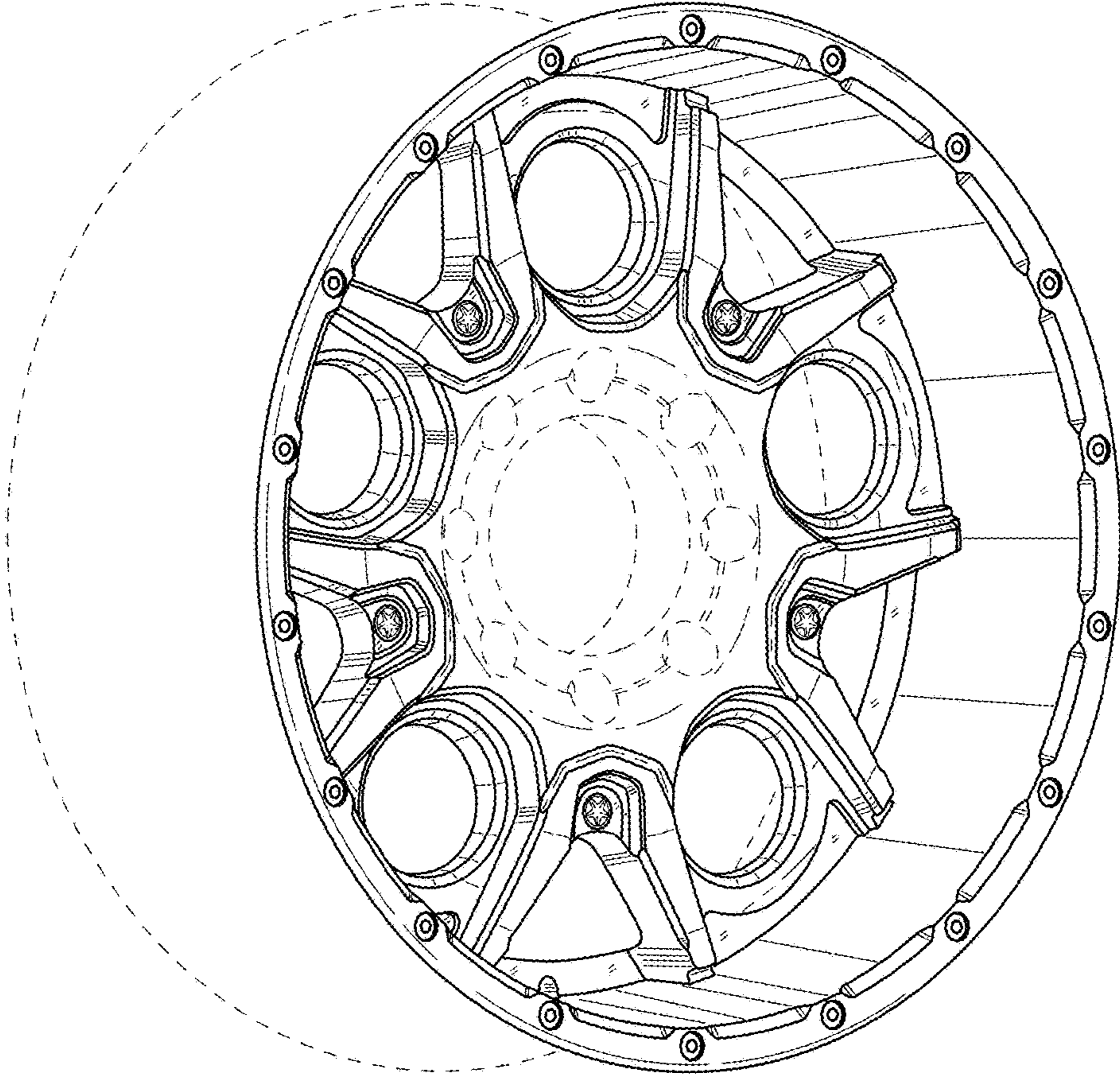


FIGURE 3

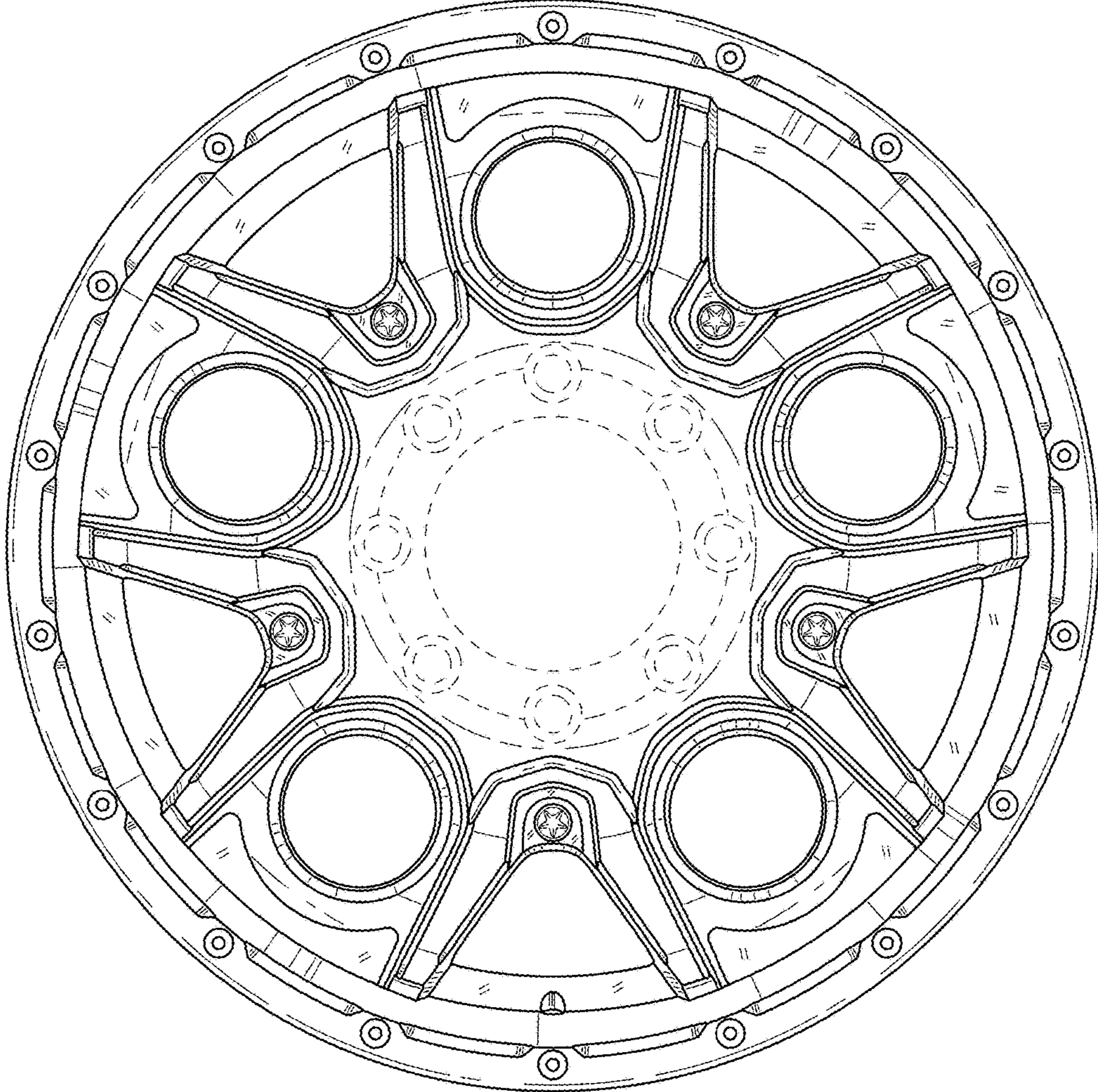


FIGURE 4