



US00D864827S

(12) **United States Design Patent** (10) **Patent No.:** **US D864,827 S**
DiCanzio (45) **Date of Patent:** **** Oct. 29, 2019**

(54) **SIDE STEP**
(71) Applicant: **Turn 5, Inc.**, Paoli, PA (US)
(72) Inventor: **Michael DiCanzio**, West Chester, PA (US)
(73) Assignee: **Turn 5, Inc.**, Paoli, PA (US)
(**) Term: **15 Years**
(21) Appl. No.: **29/658,473**
(22) Filed: **Jul. 31, 2018**
(51) **LOC (12) Cl.** **12-16**
(52) **U.S. Cl.**
USPC **D12/203**
(58) **Field of Classification Search**
USPC D12/203, 89, 98, 314, 162, 190, 196
CPC .. B60R 3/002; B60R 3/02; B60R 3/00; B60R 3/005; B60R 3/007
See application file for complete search history.

D789,857 S * 6/2017 Hare D12/203
D789,858 S * 6/2017 Hare D12/203
D800,622 S * 10/2017 Ito D12/203
D818,923 S * 5/2018 Baeza D12/203
10,011,231 B1 * 7/2018 Wymore B60R 3/002
D833,940 S * 11/2018 DiCanzio D12/203
2011/0266766 A1 * 11/2011 Huang-Tsai B60R 3/00
280/169
2013/0201714 A1 * 8/2013 Huang-Tsai B60Q 1/323
362/545

* cited by examiner

Primary Examiner — Michelle E. Wilson
Assistant Examiner — Clese Moore, Jr.
(74) *Attorney, Agent, or Firm* — Schott, P.C.

(57) **CLAIM**

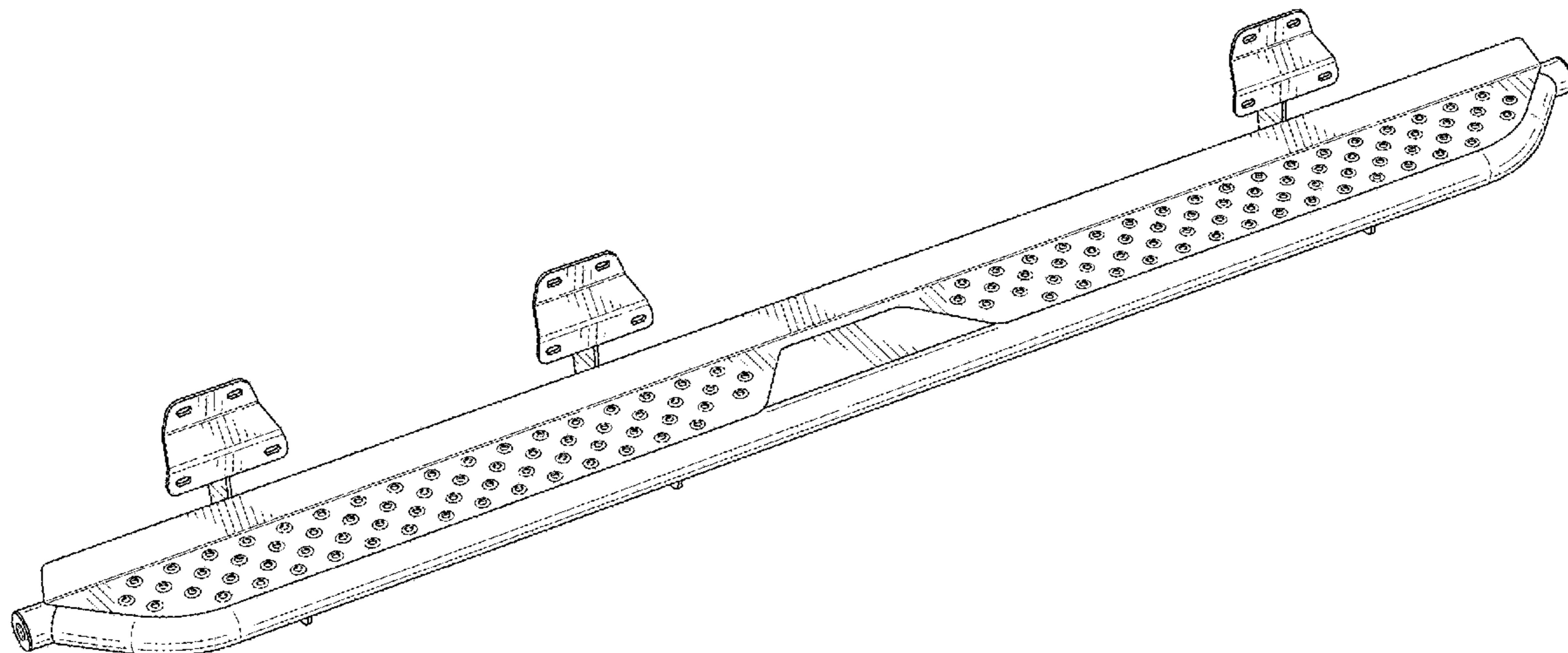
The ornamental design for the side step, as shown and described.

DESCRIPTION

FIG. 1 is a perspective view of the side step of the present invention;
FIG. 2 is a front view thereof;
FIG. 3 is a rear view thereof;
FIG. 4 is a top view thereof;
FIG. 5 is a bottom view thereof;
FIG. 6 is a right side view thereof;
FIG. 7 is a left side view thereof; and,
FIG. 8 is a perspective view of the side step in a potential environment.
The broken lines illustrate the design's environment and form no part of the claimed design.

1 Claim, 5 Drawing Sheets

(56) **References Cited**
U.S. PATENT DOCUMENTS
D395,268 S * 6/1998 Tucker D12/203
D474,435 S * 5/2003 Lund D12/203
D488,759 S * 4/2004 Hattori D12/203
D495,283 S * 8/2004 Ashley D12/203
D546,745 S * 7/2007 Storer D12/203
D568,222 S * 5/2008 Storer D12/203
D594,564 S * 6/2009 Disch D25/69
D671,874 S * 12/2012 Kekich, Jr. D12/203
D717,708 S * 11/2014 Romero D12/203
D727,820 S * 4/2015 Wegener D12/203
D737,746 S * 9/2015 Wegener D12/203
D741,769 S * 10/2015 Turner D12/203



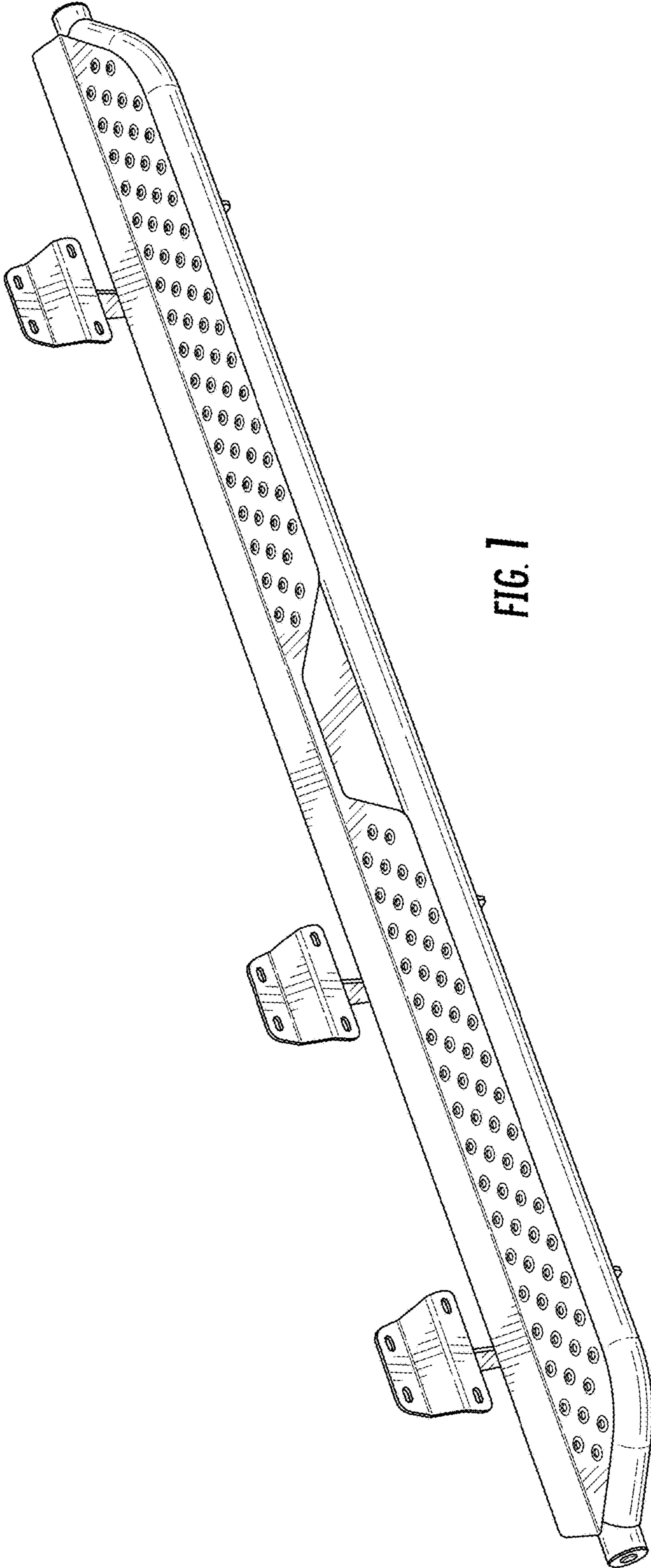


FIG. 1

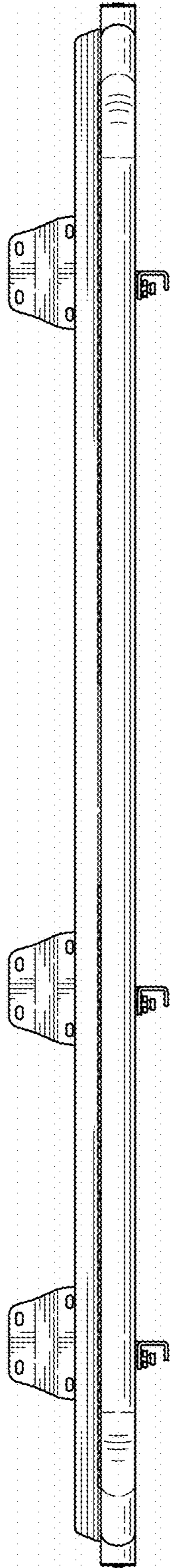


FIG. 2

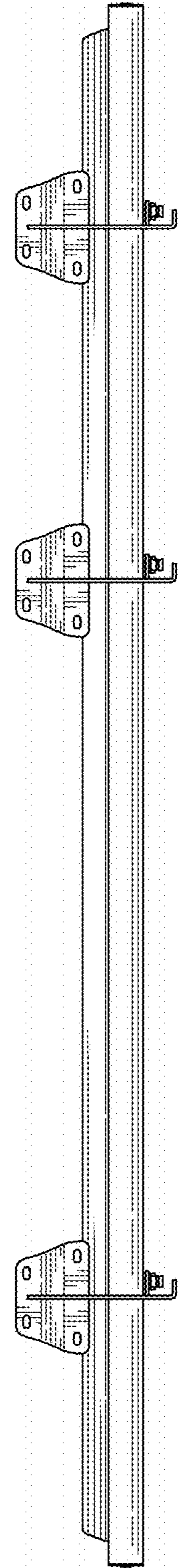


FIG. 3

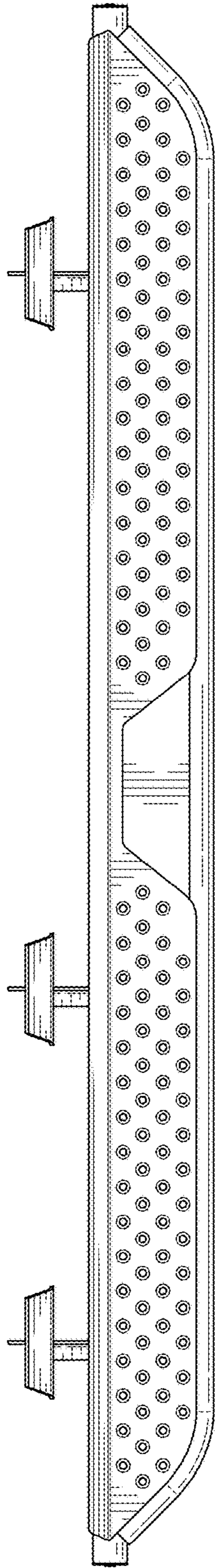


FIG. 4

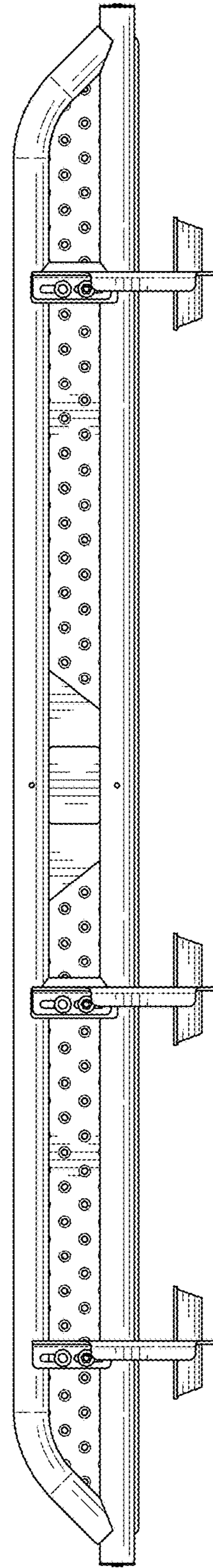


FIG. 5

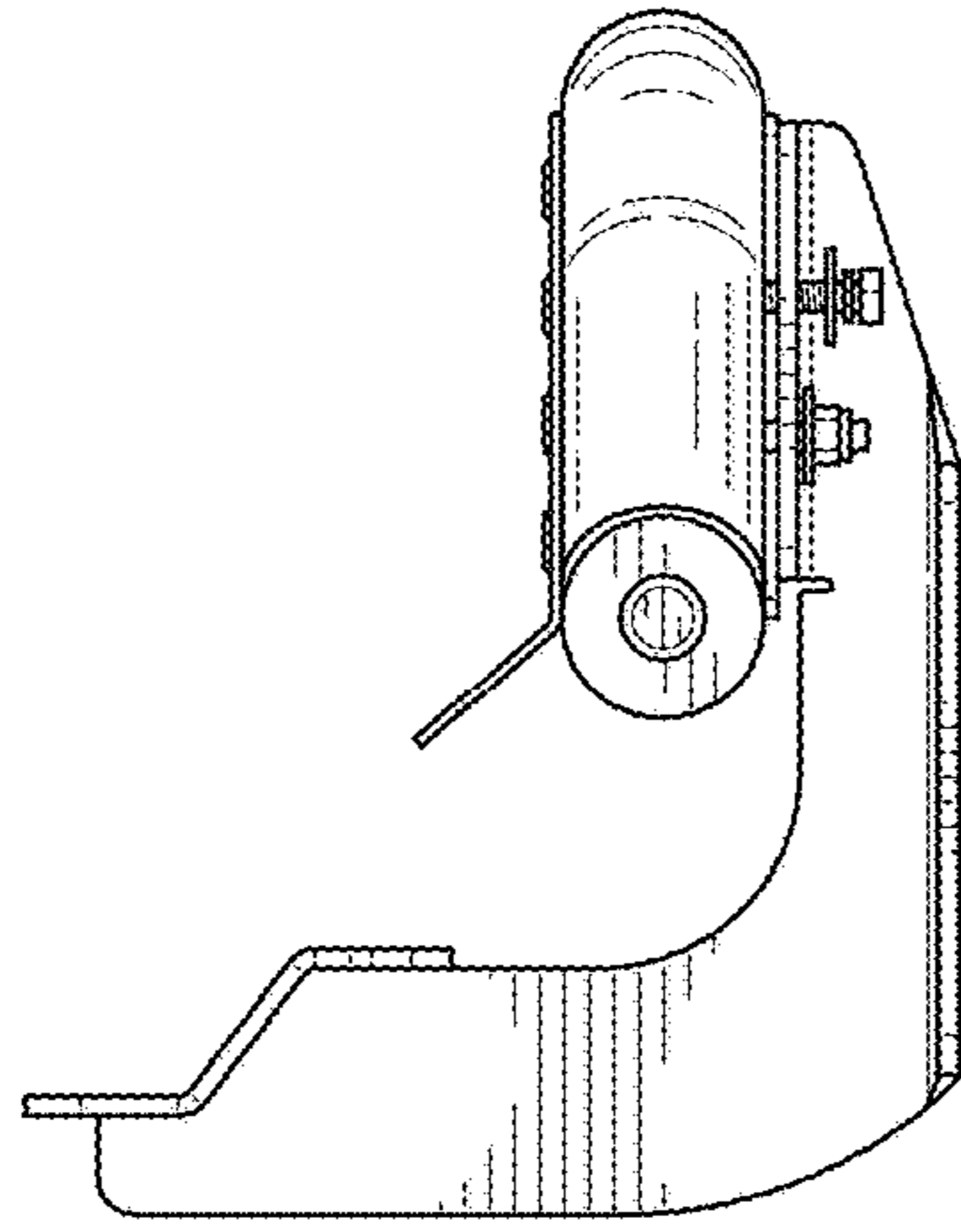


FIG. 7

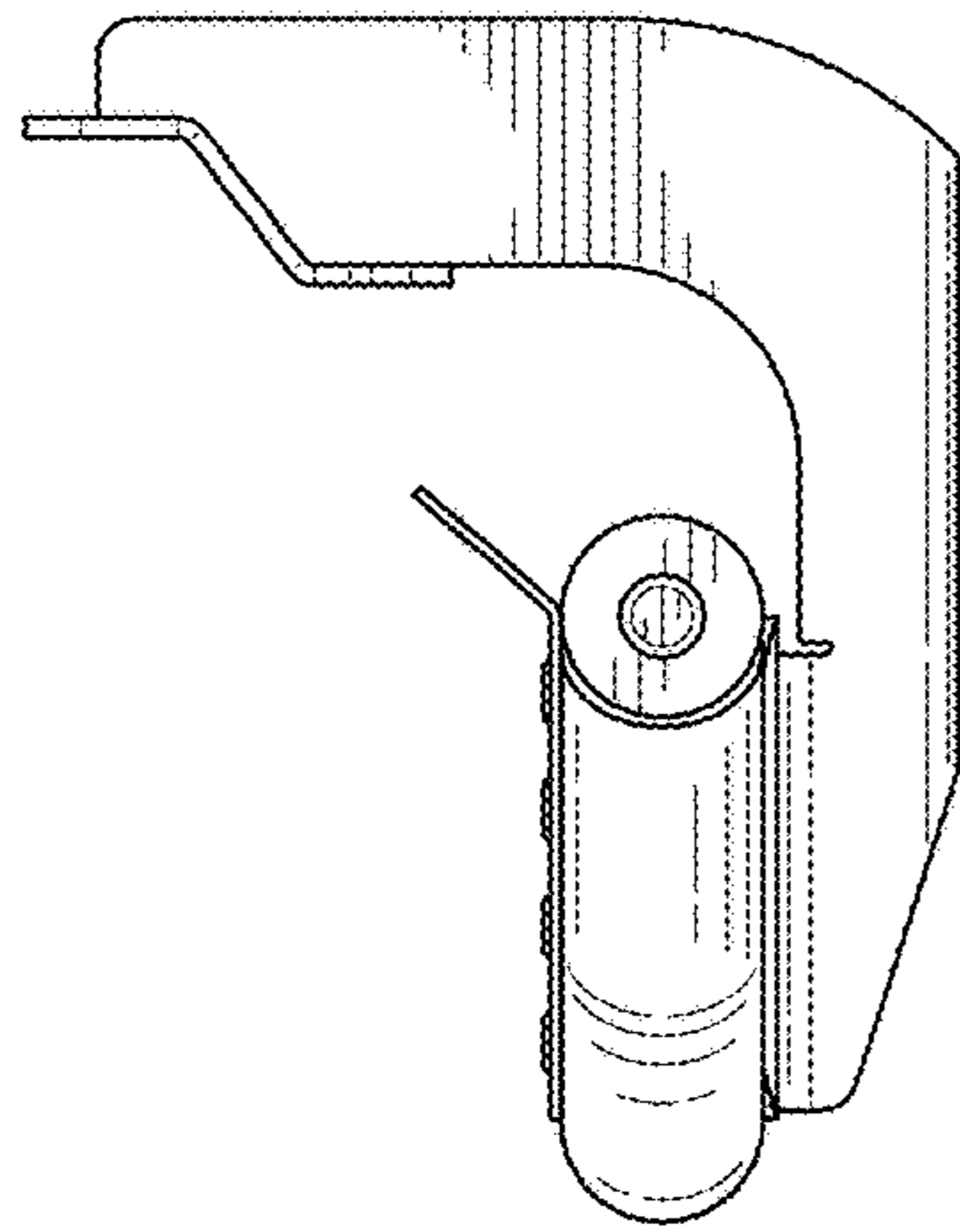


FIG. 6

