



US00D864826S

(12) **United States Design Patent** (10) **Patent No.:** **US D864,826 S**
Kito (45) **Date of Patent:** **** Oct. 29, 2019**

(54) **CHARGING CONNECTOR CAP FOR AN AUTOMOBILE**

(71) Applicant: **SUMITOMO WIRING SYSTEMS, LTD.**, Yokkaichi-Shi (JP)

(72) Inventor: **Yu Kito**, Yokkaichi (JP)

(73) Assignee: **SUMITOMO WIRING SYSTEMS, LTD.**, Yokkaichi-Shi, Mie-Ken (JP)

(**) Term: **15 Years**

(21) Appl. No.: **29/650,406**

(22) Filed: **Jun. 6, 2018**

(30) **Foreign Application Priority Data**

Dec. 13, 2017 (JP) 2017-27773

(51) **LOC (12) Cl.** **12-16**

(52) **U.S. Cl.**
USPC **D12/197**

(58) **Field of Classification Search**
USPC D12/197-201, 110, 114, 218; D15/150;
D23/260
CPC B60H 1/34
See application file for complete search history.

(56) **References Cited**

U.S. PATENT DOCUMENTS

D594,395 S * 6/2009 Yoshii D12/197
D756,280 S * 5/2016 Davito D12/197
D773,972 S * 12/2016 Cloete D12/197
D806,544 S * 1/2018 Williams D9/445

D806,624 S * 1/2018 Lu D12/197
D813,134 S * 3/2018 Ponticelli, Sr. D12/197
D849,632 S * 5/2019 Tovey D12/197
2014/0008096 A1* 1/2014 Hudry B60K 15/05
174/67
2017/0292305 A1* 10/2017 Geissenhoener B62D 25/24
2017/0313199 A1* 11/2017 Djrbashian B60L 11/1818
2019/0118644 A1* 4/2019 Beck B60K 15/05

* cited by examiner

Primary Examiner — Katrina A Betton

(74) *Attorney, Agent, or Firm* — Grogan, Tuccillo & Vanderleeden, LLP

(57) **CLAIM**

The ornamental design for a charging connector cap for an automobile, as shown and described.

DESCRIPTION

FIG. 1 is a perspective view of a charging connector cap for an automobile showing my new design;
FIG. 2 is a front view thereof;
FIG. 3 is a rear view thereof;
FIG. 4 is a top plan view thereof;
FIG. 5 is a bottom plan view thereof;
FIG. 6 is a right side view thereof;
FIG. 7 is a left side view thereof;
FIG. 8 is a cross-sectional view taken along line 8-8 in FIG. 2; and,
FIG. 9 is a cross-sectional view of the cap body taken along line 9-9 in FIG. 4.
The broken lines illustrate portions of the charging connector cap for an automobile and form no part of the claimed design. The dash-dotted lines denote the boundary of the claim and form no part of the claimed design.

1 Claim, 7 Drawing Sheets

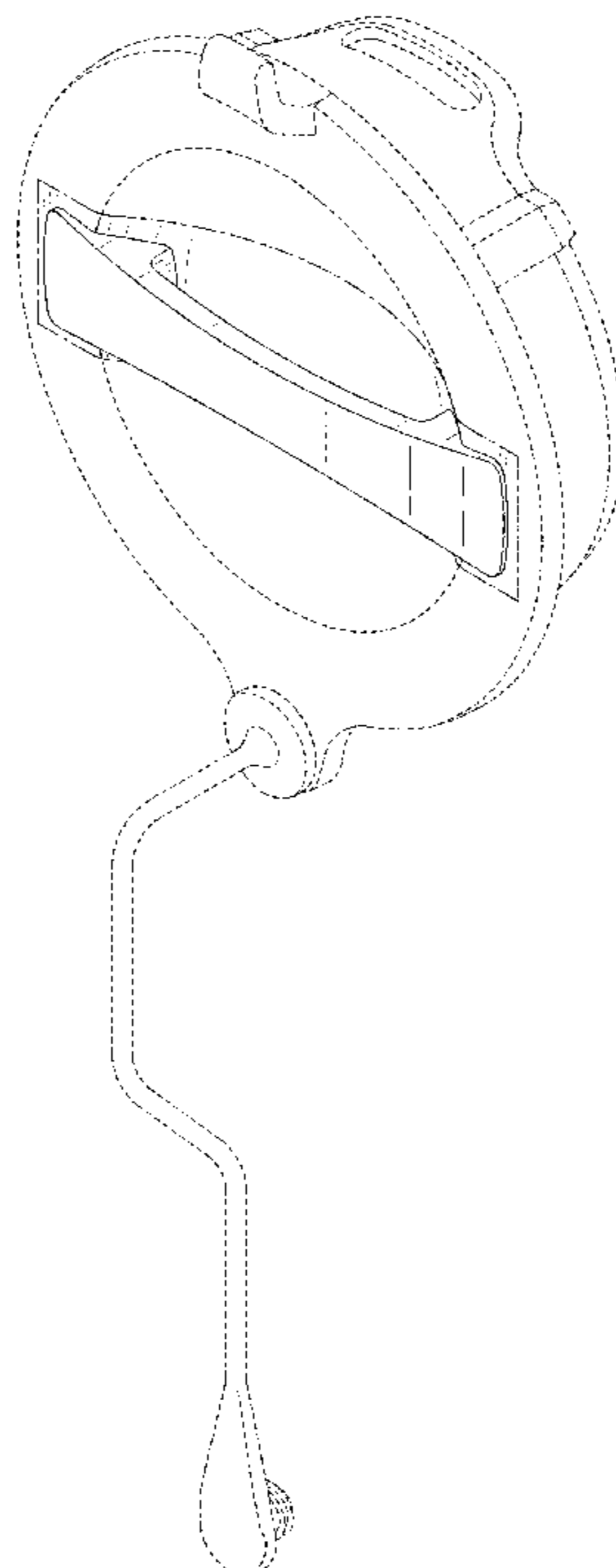


FIG. 1

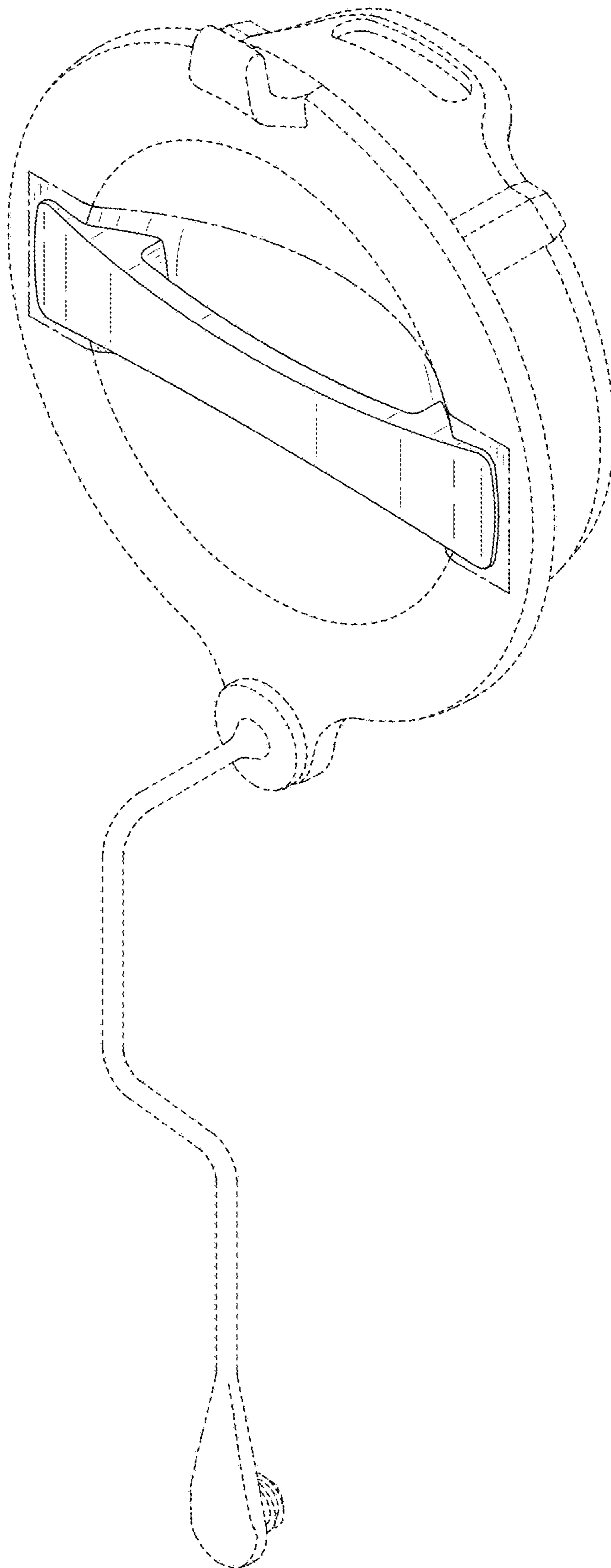


FIG.2

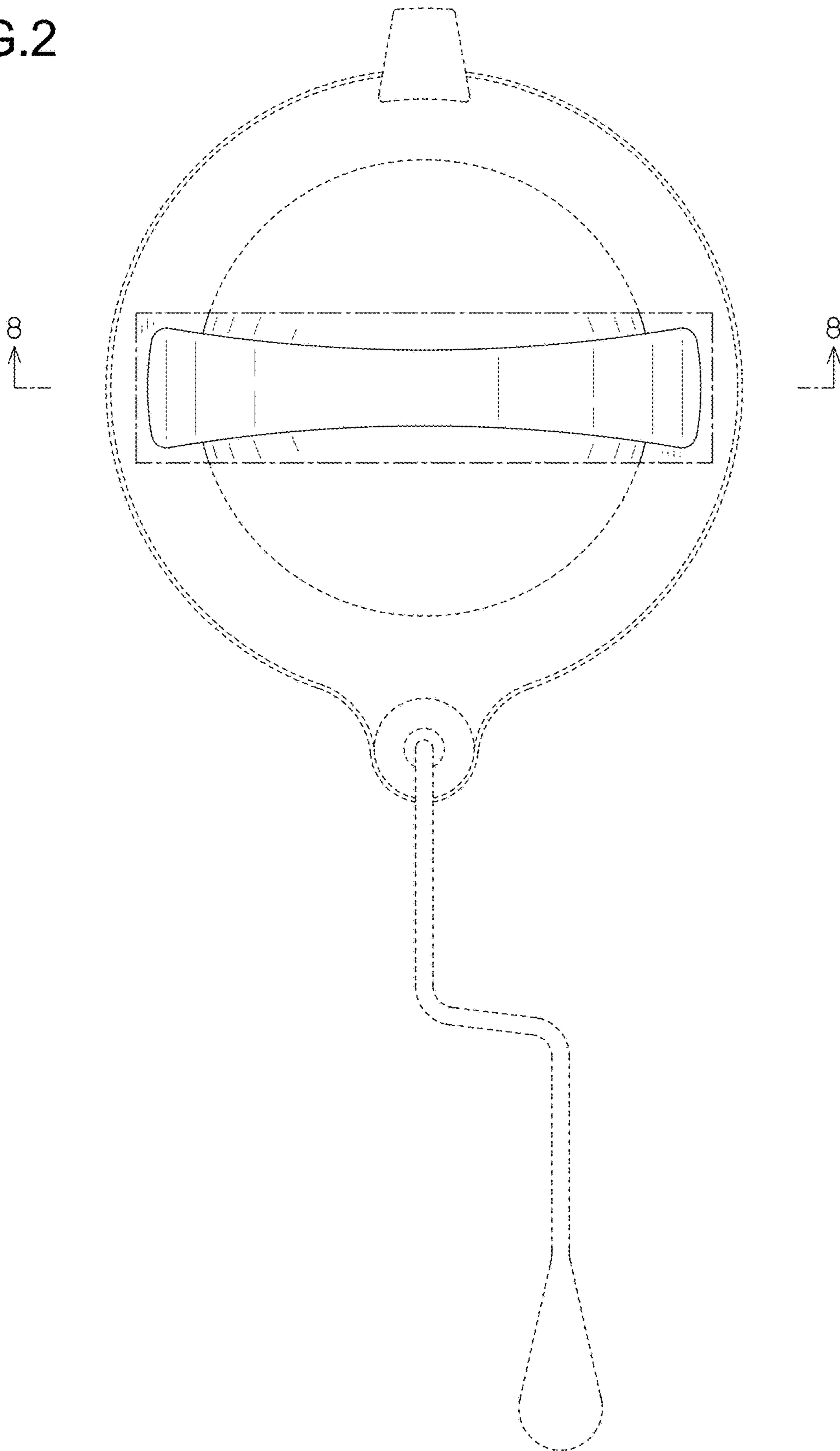


FIG.3

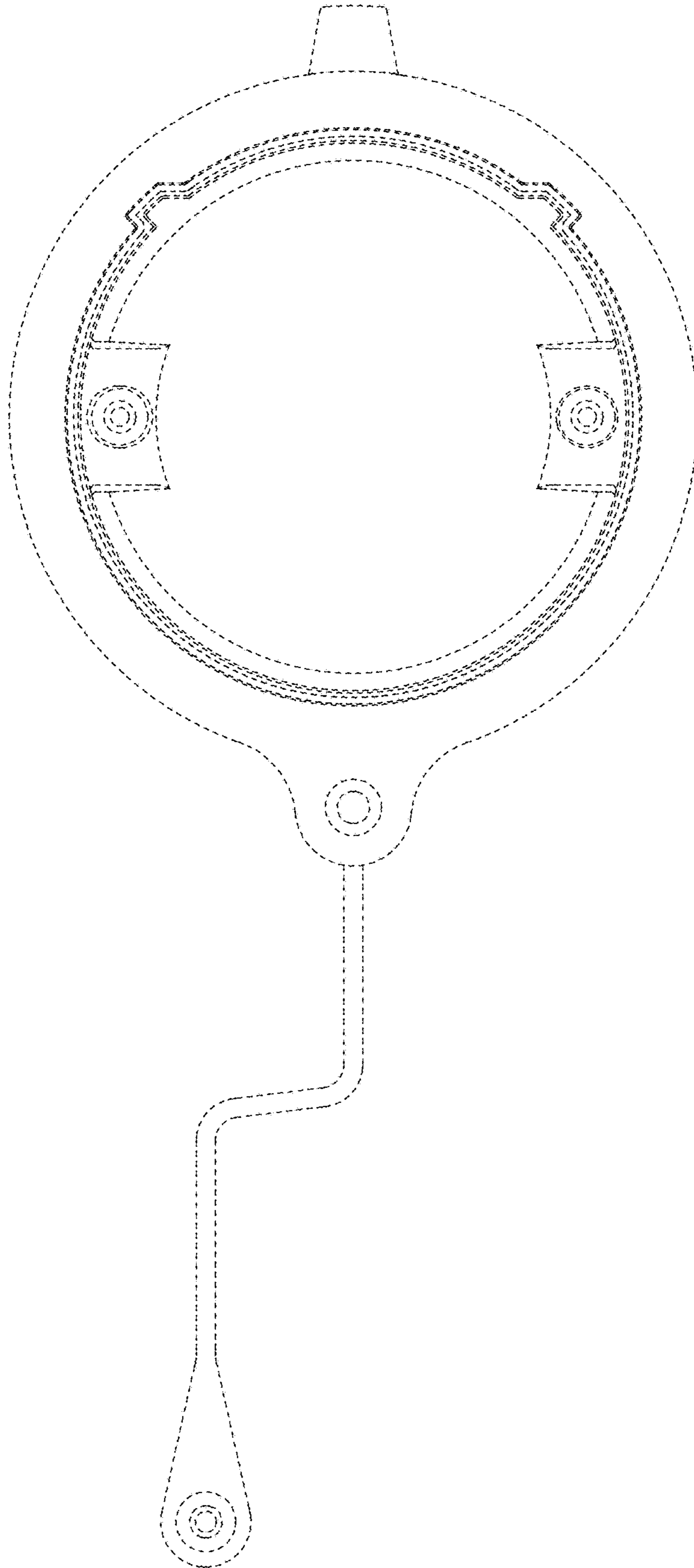


FIG.4

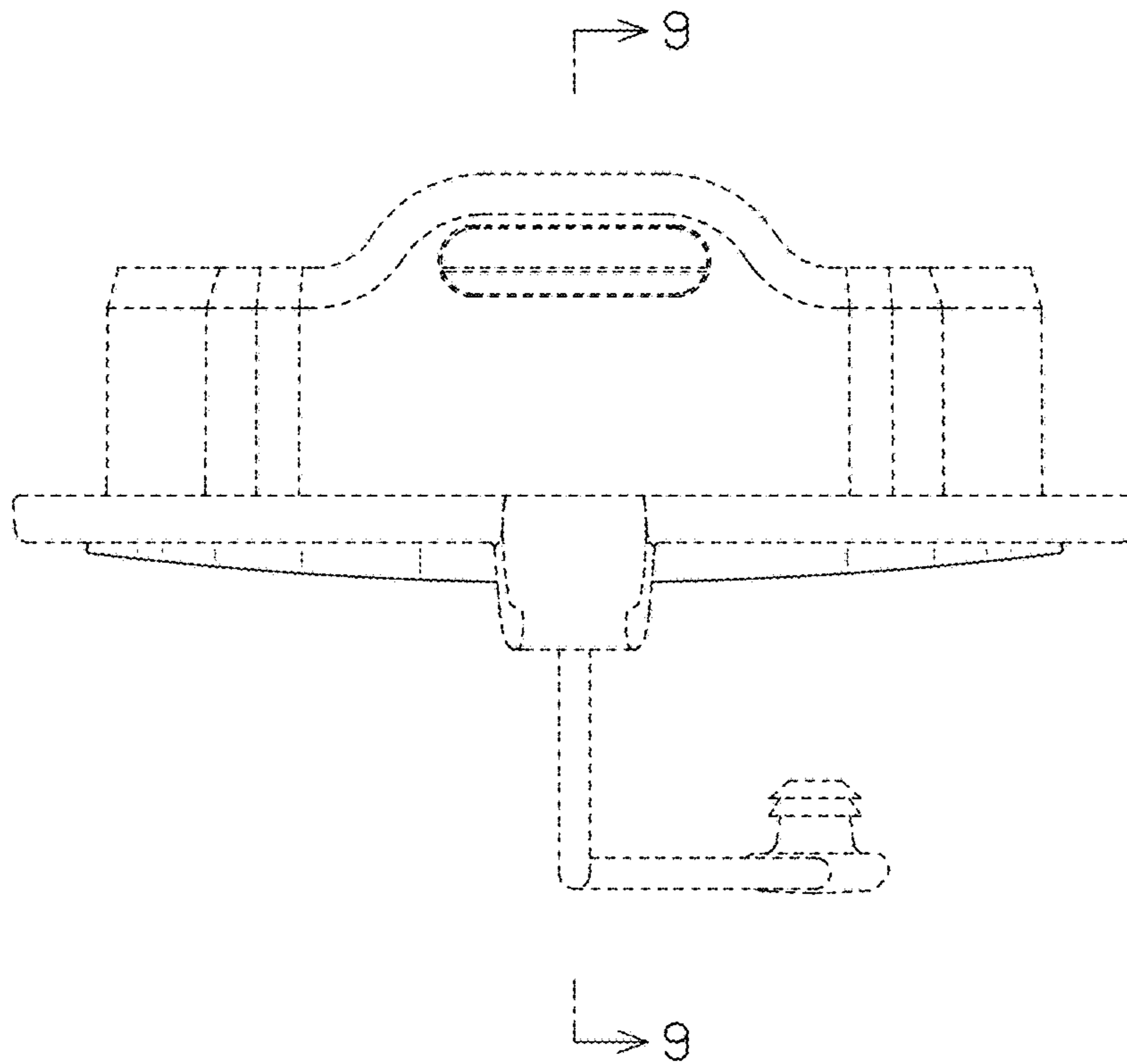


FIG.5

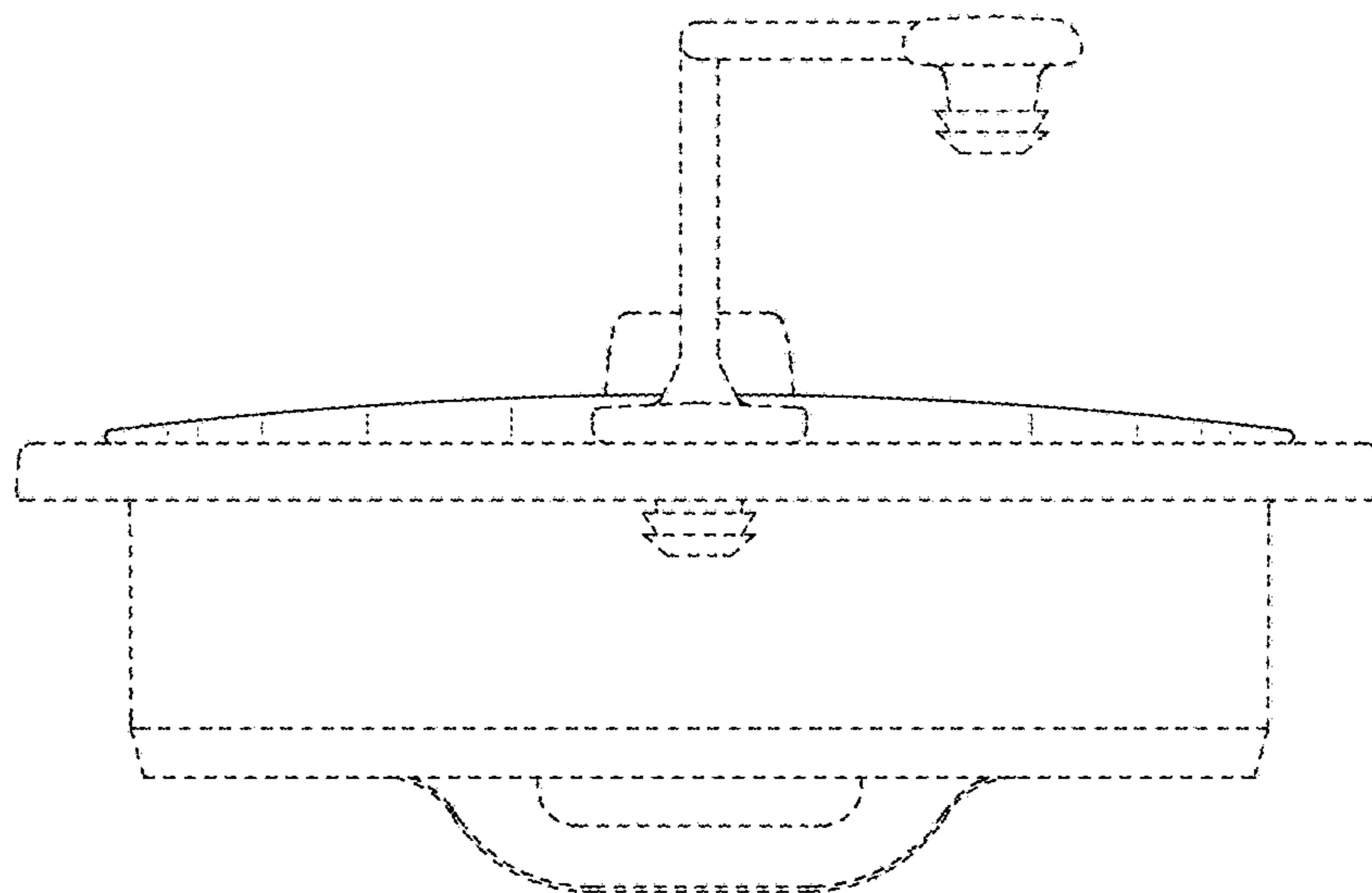


FIG.6

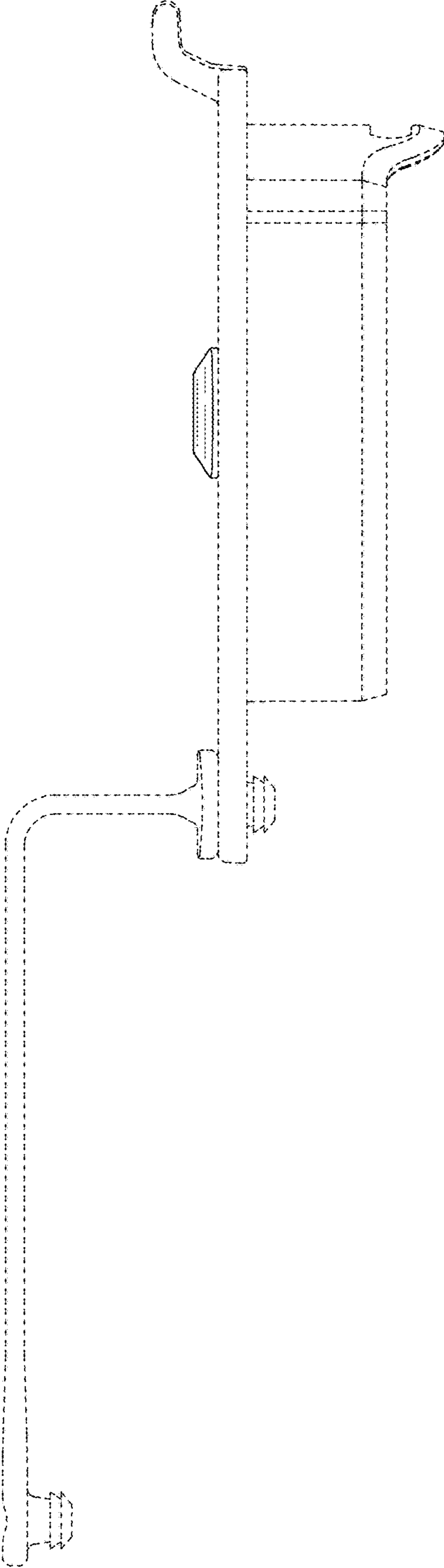


FIG.7

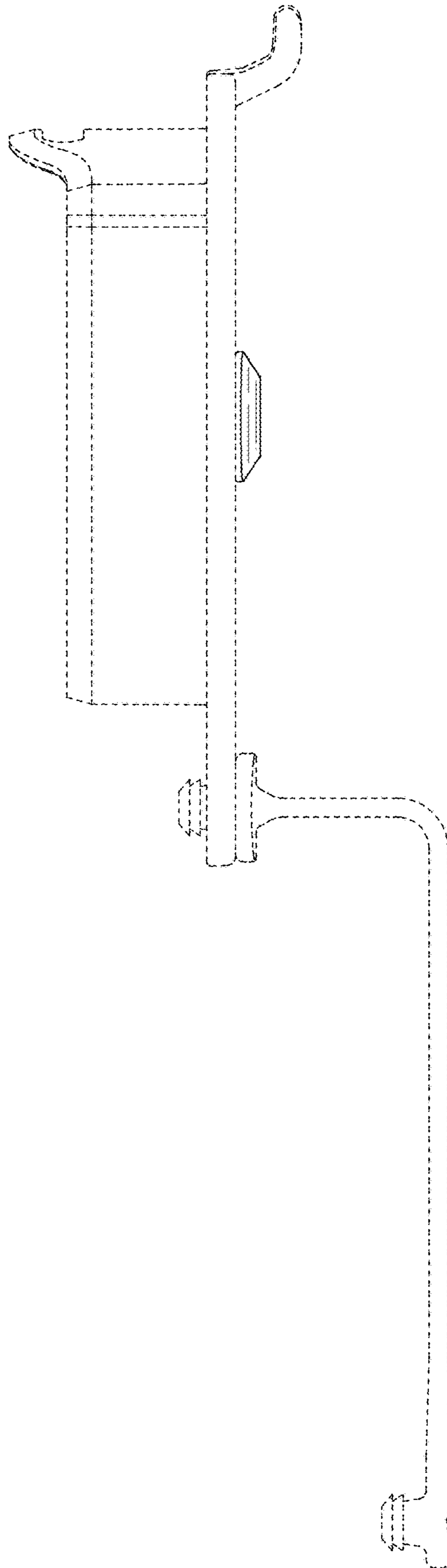


FIG.8

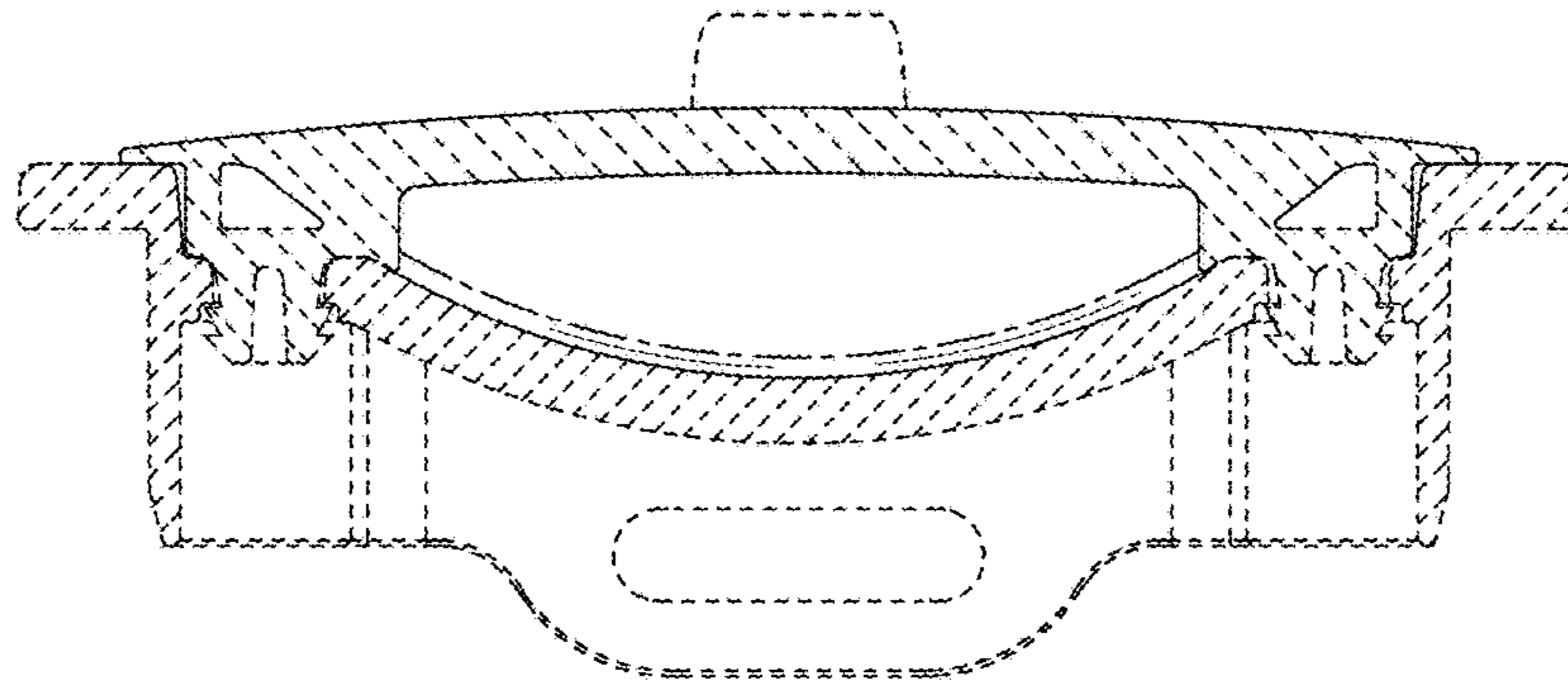


FIG.9

