



US00D864824S

(12) **United States Design Patent**
Zeng

(10) **Patent No.:** **US D864,824 S**

(45) **Date of Patent:** **** *Oct. 29, 2019**

(54) **GAS CAP COVER**

(71) Applicant: **Sichuan Topfire Technology Co., Ltd.**,
Chengdu (CN)

(72) Inventor: **Cheng Zeng**, Chengdu (CN)

(73) Assignee: **Sichuan Topfire Technology Co., Ltd.**,
Chengdu (CN)

(*) Notice: This patent is subject to a terminal disclaimer.

(**) Term: **15 Years**

(21) Appl. No.: **29/618,033**

(22) Filed: **Sep. 18, 2017**

(51) **LOC (12) Cl.** **12-16**

(52) **U.S. Cl.**
USPC **D12/197**

(58) **Field of Classification Search**
USPC D12/197-201, 110, 114, 218; D15/150;
D23/260; D7/398; D9/443-444,
D9/451-454, 435; D8/310-312
CPC B60H 1/34
See application file for complete search history.

(56) **References Cited**

U.S. PATENT DOCUMENTS

D623,062 S * 9/2010 Gullickson D9/447
D719,961 S * 12/2014 Xiang D14/447

D739,493 S * 9/2015 Wyne D23/200
D777,565 S * 1/2017 Yeh D8/382
D803,047 S * 11/2017 Ploeger D9/435
D803,048 S * 11/2017 Ploeger D9/435
D803,049 S * 11/2017 Ploeger D9/435
D803,050 S * 11/2017 Ploeger D9/435
D804,945 S * 12/2017 Ploeger D9/435
D828,751 S * 9/2018 Ploeger D9/435
D828,752 S * 9/2018 Ploeger D9/435
2004/0084449 A1 * 5/2004 Howard F01M 11/04
220/86.2

* cited by examiner

Primary Examiner — Katrina A Betton

(74) *Attorney, Agent, or Firm* — Yanling Jiang; JiangIP,
LLC

(57) **CLAIM**

The ornamental design for a gas cap cover, as shown and described.

DESCRIPTION

FIG. 1 is a perspective view showing a gas cap cover.
FIG. 2 is a front view of a gas cap cover.
FIG. 3 is a rear view of a gas cap cover.
FIG. 4 is a top view of a gas cap cover.
FIG. 5 is a bottom view of a gas cap cover.
FIG. 6 is a side view of a gas cap cover; and,
FIG. 7 is a side view of a gas cap cover.

1 Claim, 7 Drawing Sheets



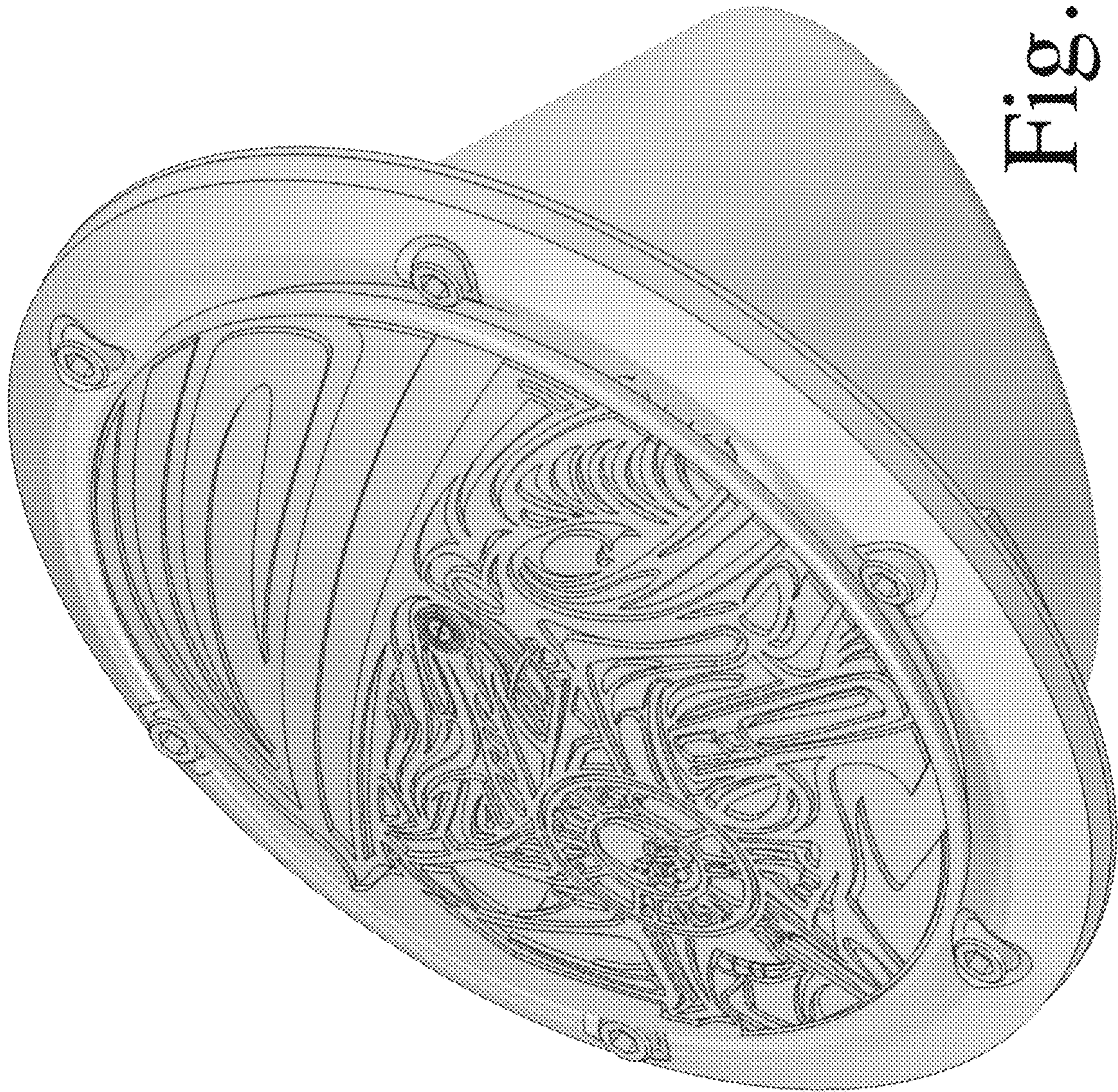


Fig. 1



Fig. 2

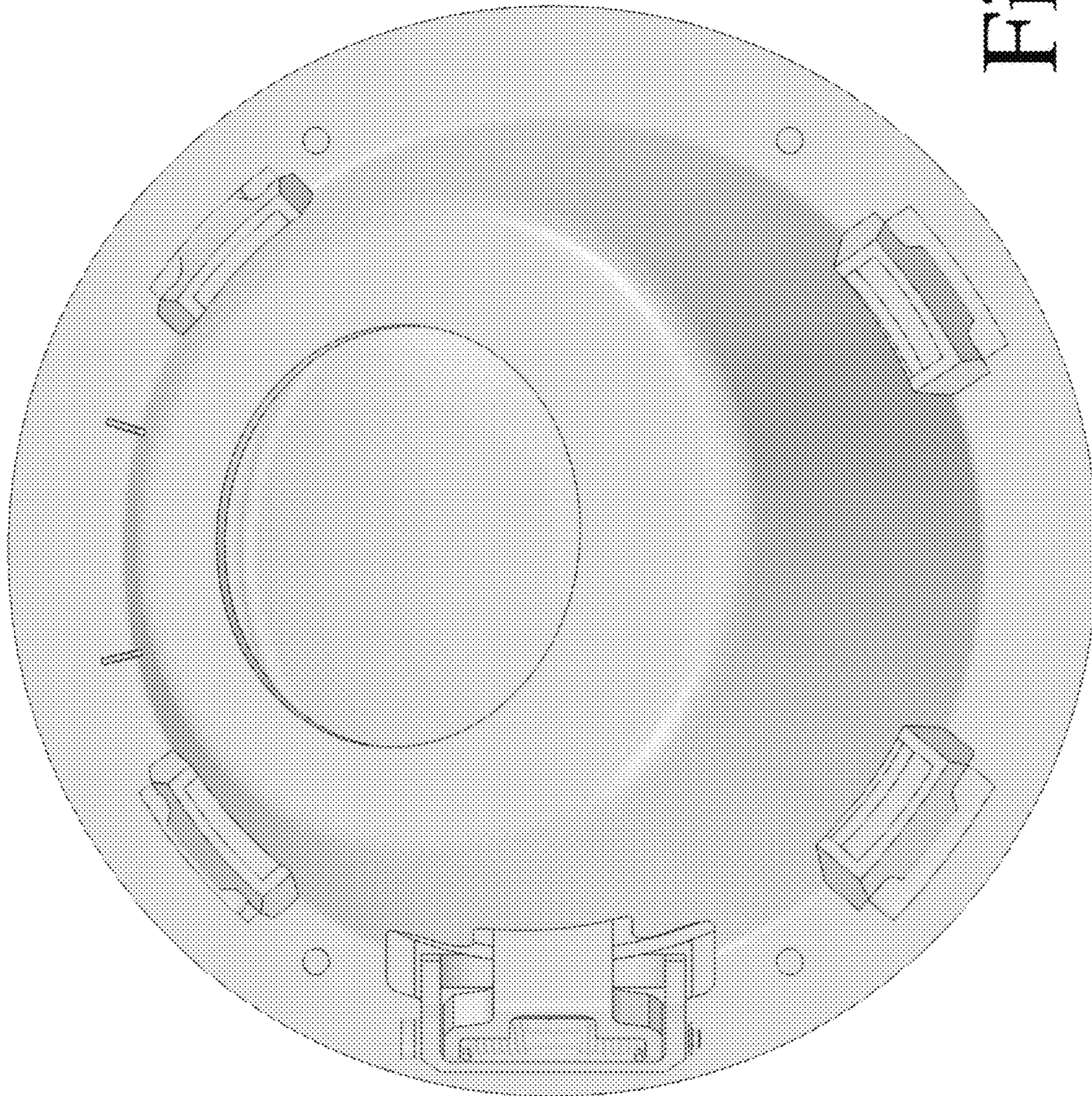


Fig. 3

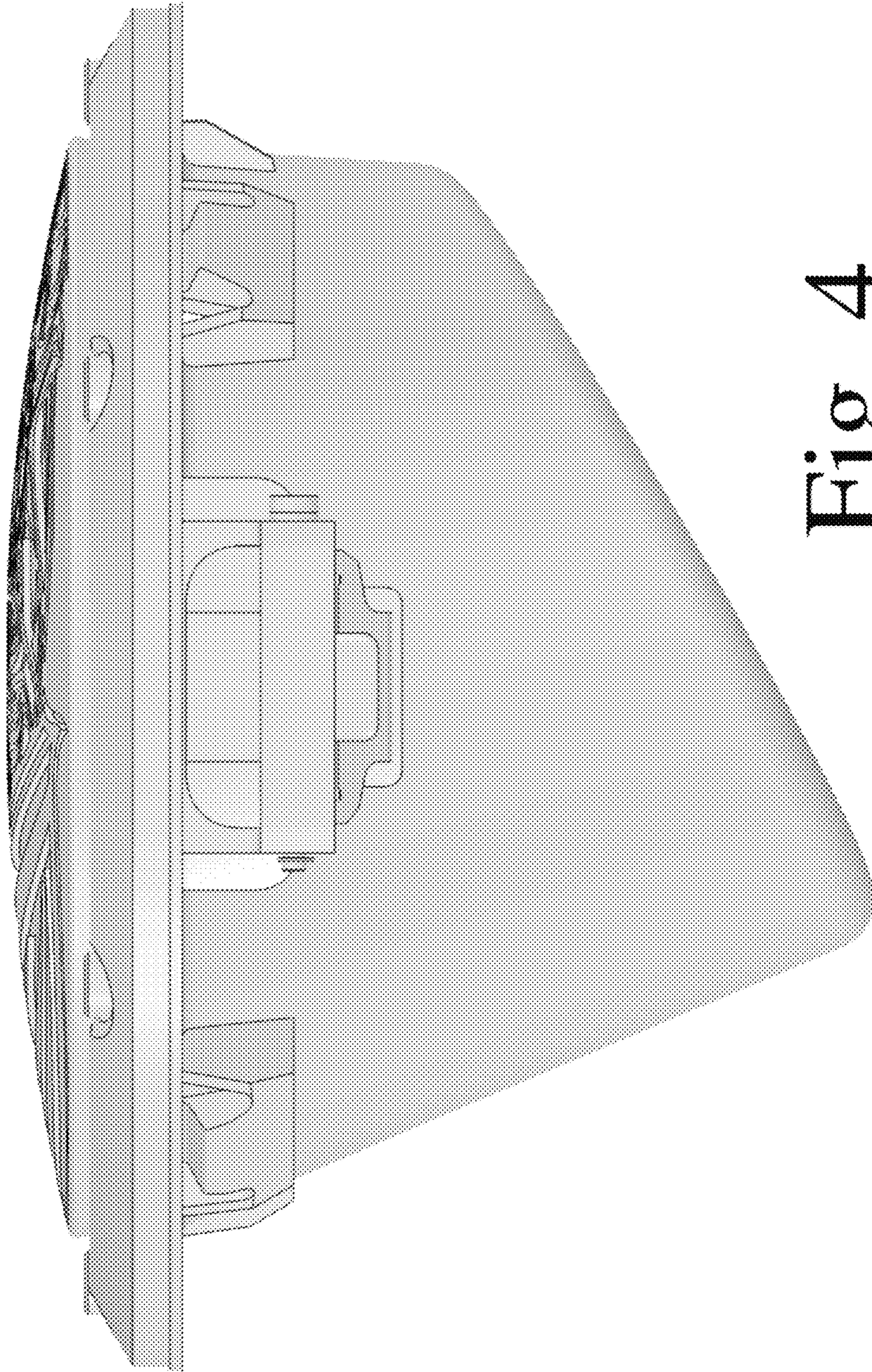


Fig. 4



Fig. 5

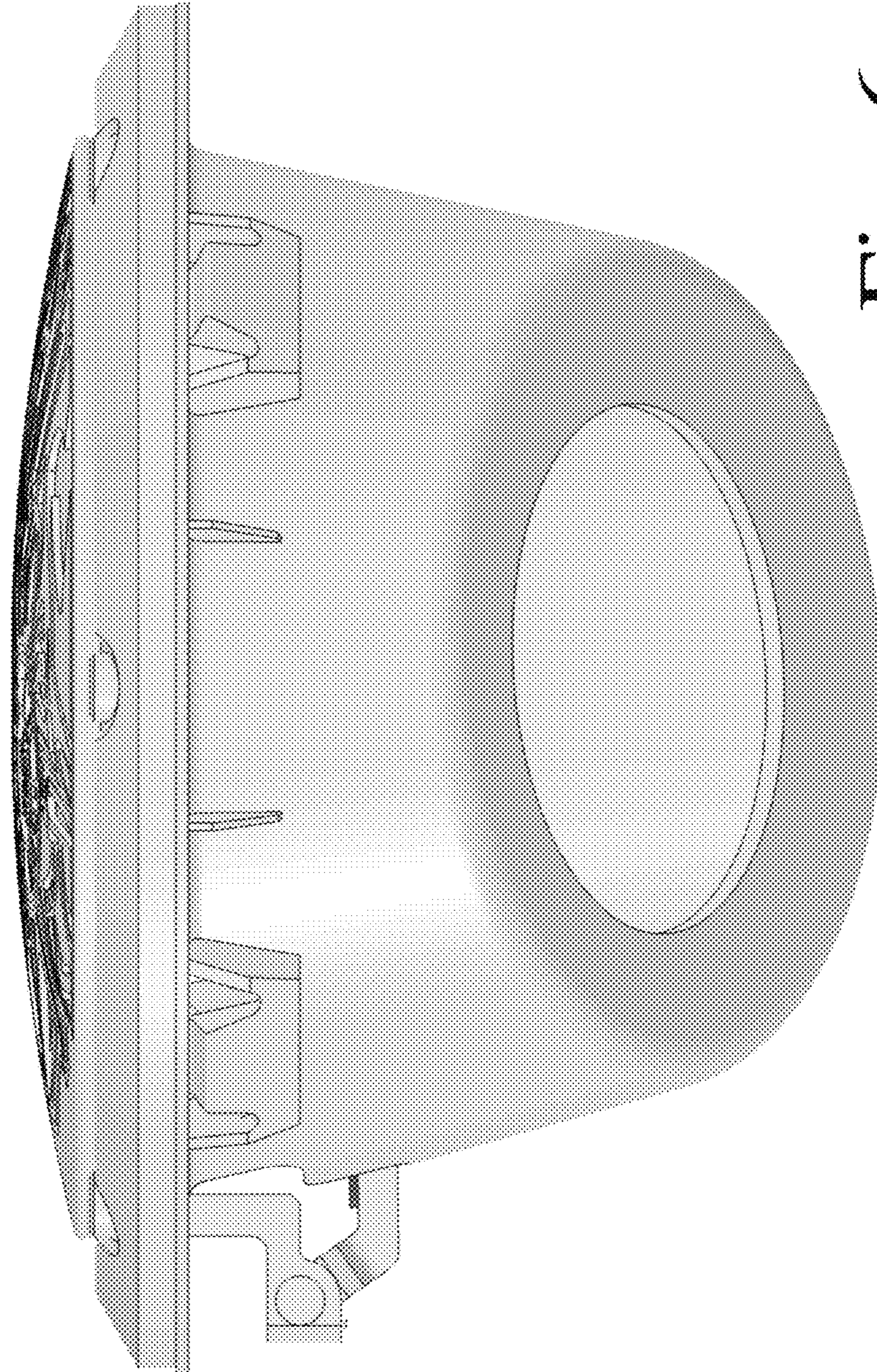


Fig. 6

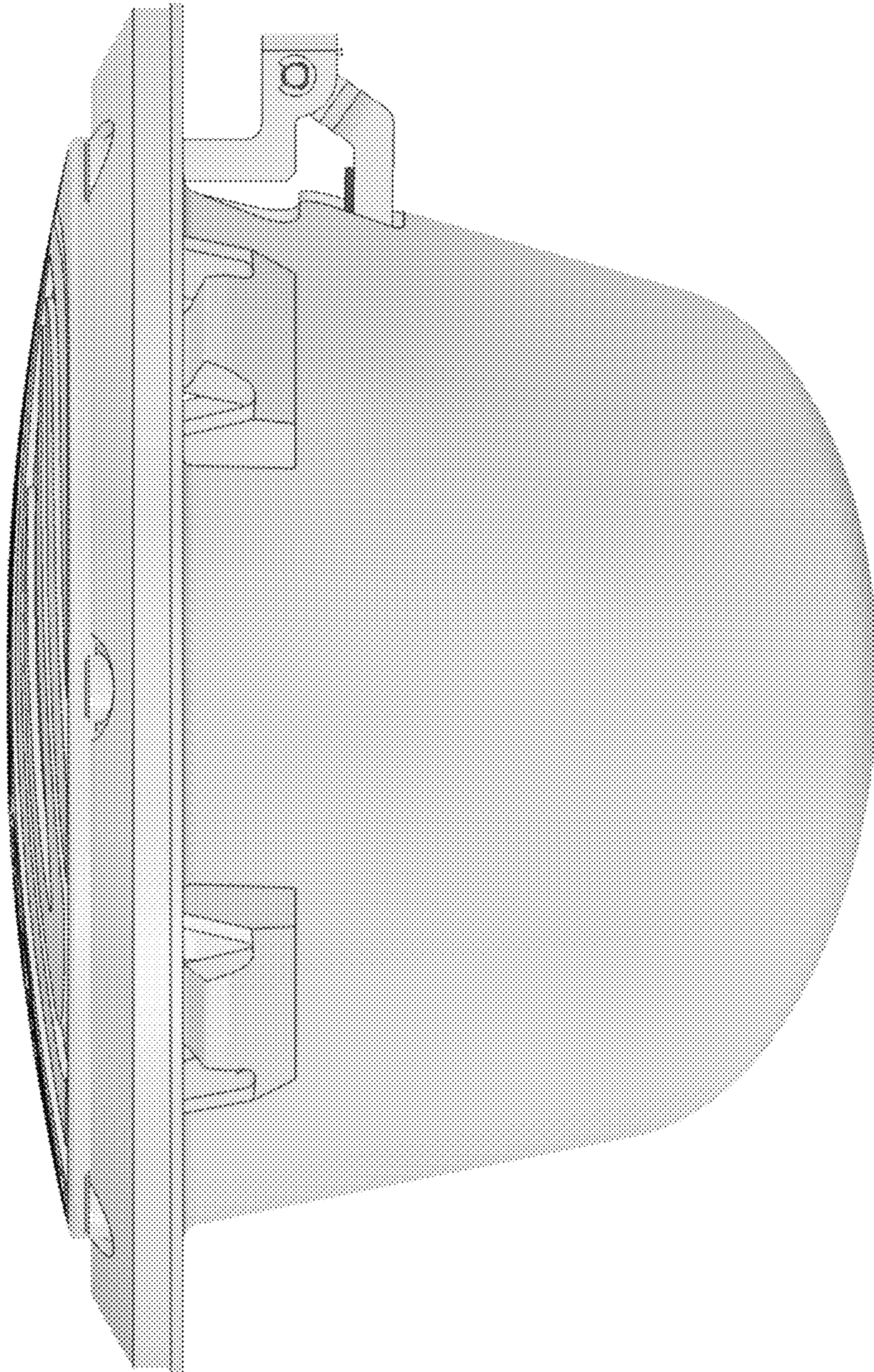


Fig. 7