



US00D864820S

(12) **United States Design Patent** (10) **Patent No.:** **US D864,820 S**
Lucas et al. (45) **Date of Patent:** **** Oct. 29, 2019**

(54) **VEHICLE FRONT LOWER VALANCE**

FOREIGN PATENT DOCUMENTS

(71) Applicant: **Ford Global Technologies, LLC**,
Dearborn, MI (US)
(72) Inventors: **Earl C. Lucas**, Southfield, MI (US);
Keith Rogman, Fenton, MI (US);
Hojoon Kang, Novi, MI (US)
(73) Assignee: **Ford Global Technologies, LLC**,
Dearborn, MI (US)

AP D00572-0001 * 7/2014
CN 301004069 * 9/2009
CN 301319111 * 8/2010
CN 303995942 * 1/2017
CN 304336500 * 10/2017
KR 300509054.0000 * 10/2008
KR 300865291.0000 * 7/2016
KR 300893112.0000 * 2/2017
RU 00104631 * 8/2017
WO D086207-005 * 5/2015

* cited by examiner

(**) Term: **15 Years**

Primary Examiner — Leanne Was-Englehart

(21) Appl. No.: **29/624,496**

(22) Filed: **Nov. 1, 2017**

(57) **CLAIM**

(51) **LOC (12) Cl.** **12-16**

The ornamental design for a vehicle front lower valance, as shown and described.

(52) **U.S. Cl.**

USPC **D12/196**

(58) **Field of Classification Search**

USPC D12/86, 163, 164, 167, 169–172, 216;
D21/424, 427, 433, 483, 533, 548

CPC B60R 19/02; B60R 19/04; B60R 19/18;
B60R 19/24; B60R 19/26; B60R 19/52;
B62D 25/08; B60K 11/08

See application file for complete search history.

DESCRIPTION

FIG. 1 is a top, and left side perspective view of a vehicle front lower valance, showing our new design;

FIG. 2 is a bottom, front, and left side perspective view thereof;

FIG. 3 is a top, rear, and left side perspective view thereof;

FIG. 4 is a front elevational view thereof;

FIG. 5 is a rear elevational view thereof;

FIG. 6 is a left side elevational view thereof;

FIG. 7 is a right side elevational view thereof;

FIG. 8 is a top plan view thereof; and,

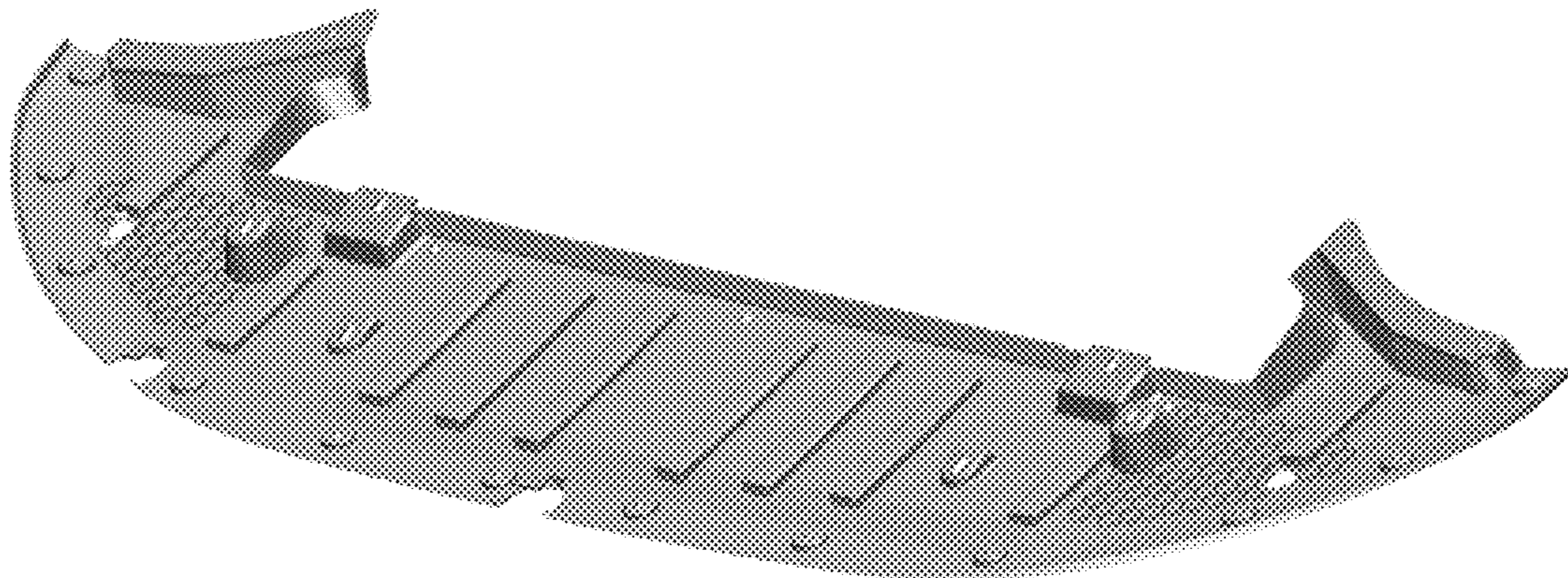
FIG. 9 is a bottom plan view thereof.

(56) **References Cited**

U.S. PATENT DOCUMENTS

D616,797 S * 6/2010 Lamm D12/196
D690,639 S * 10/2013 Messale D12/196
D751,474 S * 3/2016 Kirkland, Jr. D12/171
D769,163 S * 10/2016 Platto D12/196
D811,962 S * 3/2018 Sullivan D12/169
D828,262 S * 9/2018 Yates D12/196

1 Claim, 9 Drawing Sheets



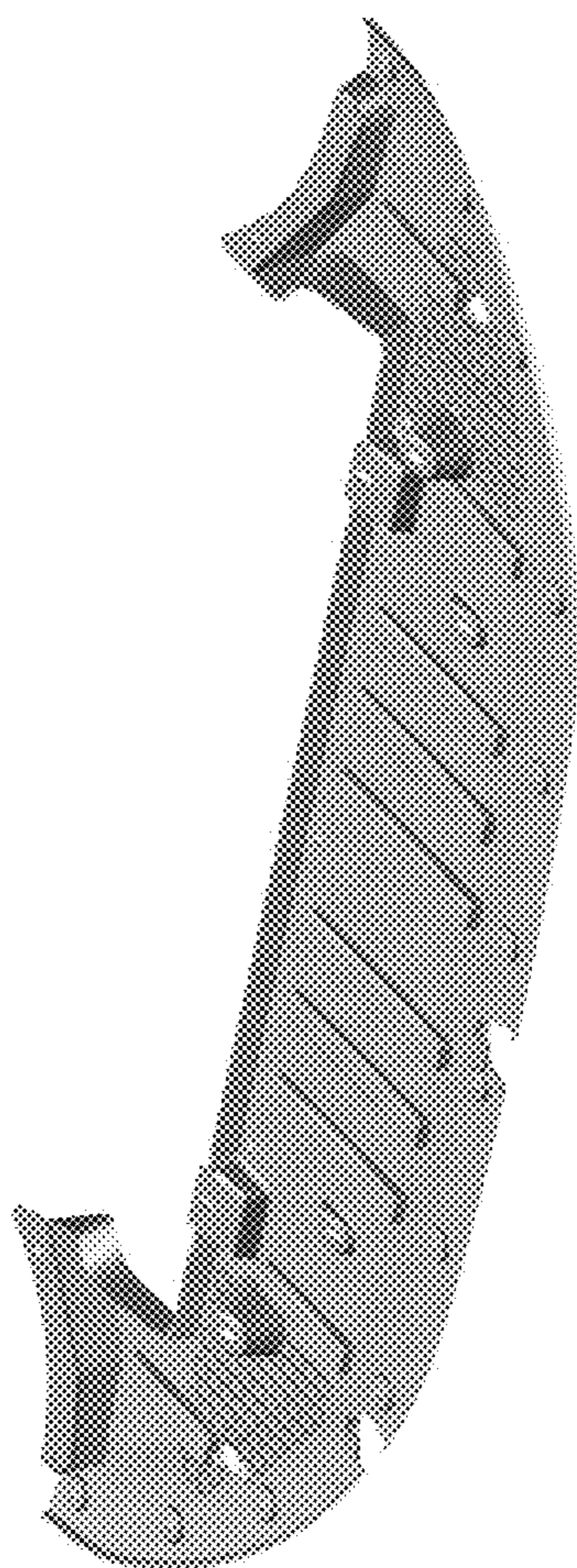


FIG. 1

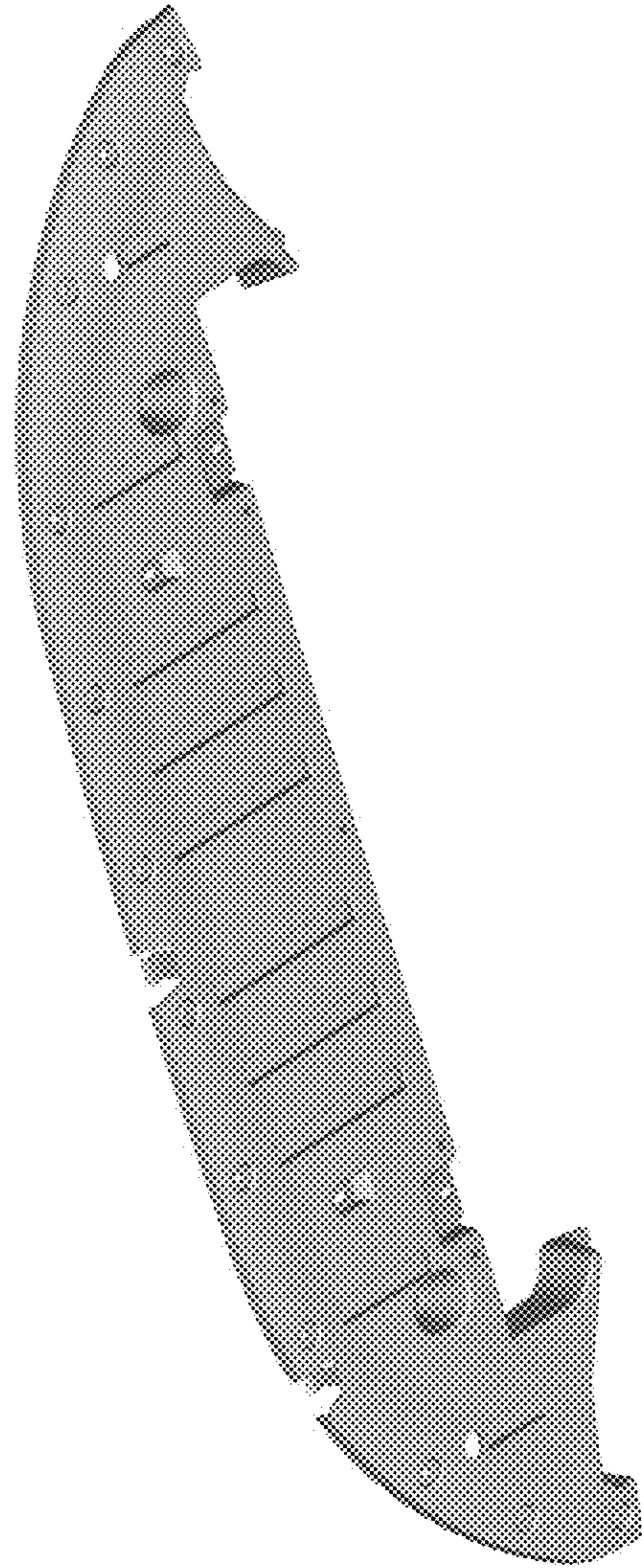


FIG. 2

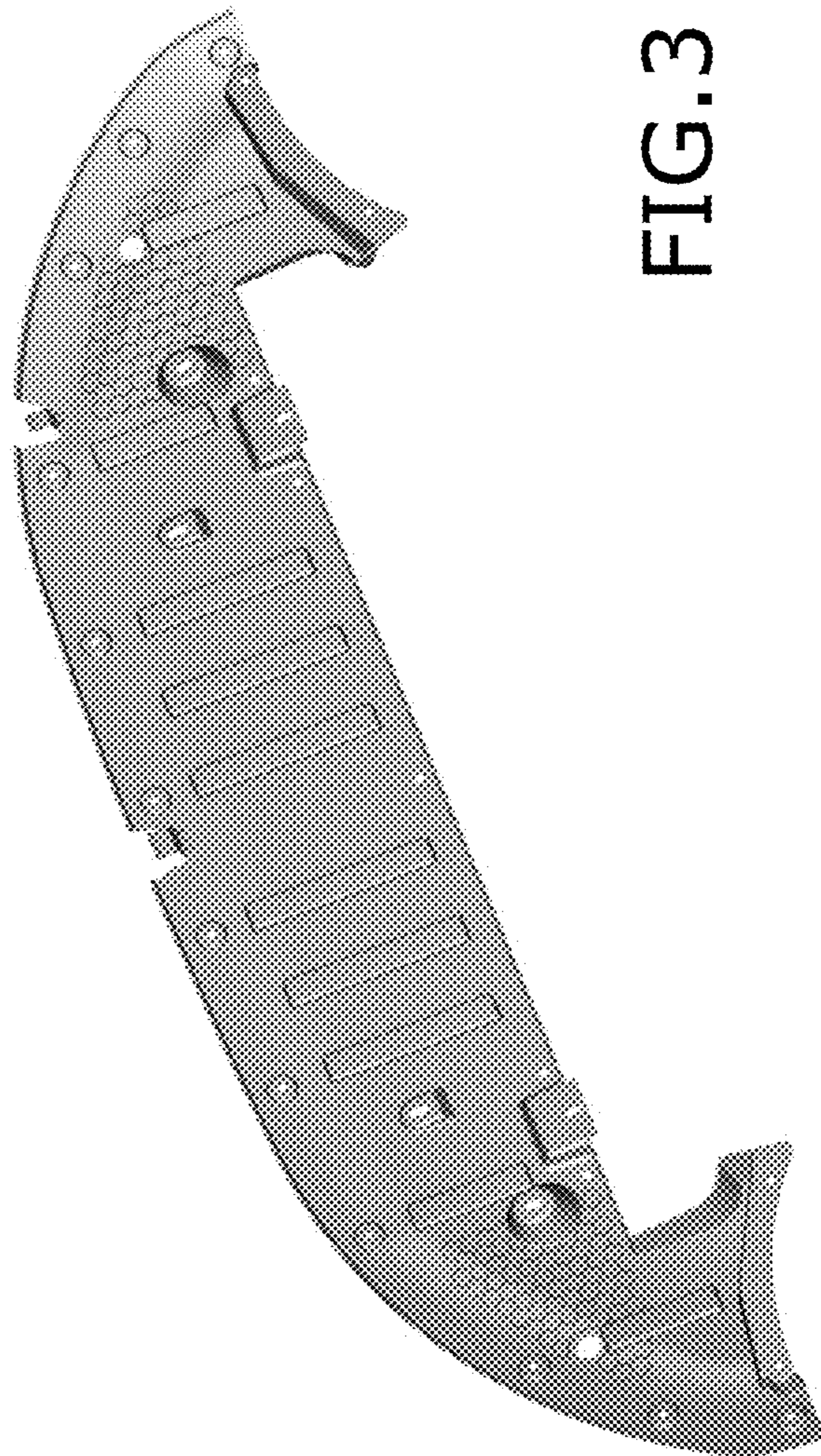


FIG. 3

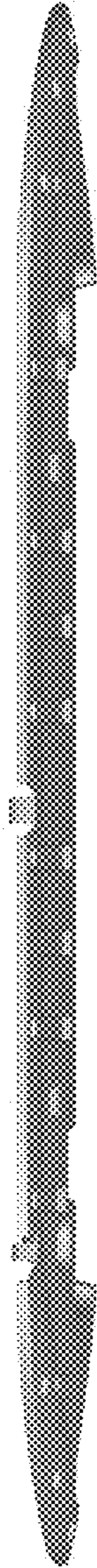


FIG.4



FIG. 5



FIG.6



FIG. 7

FIG. 8

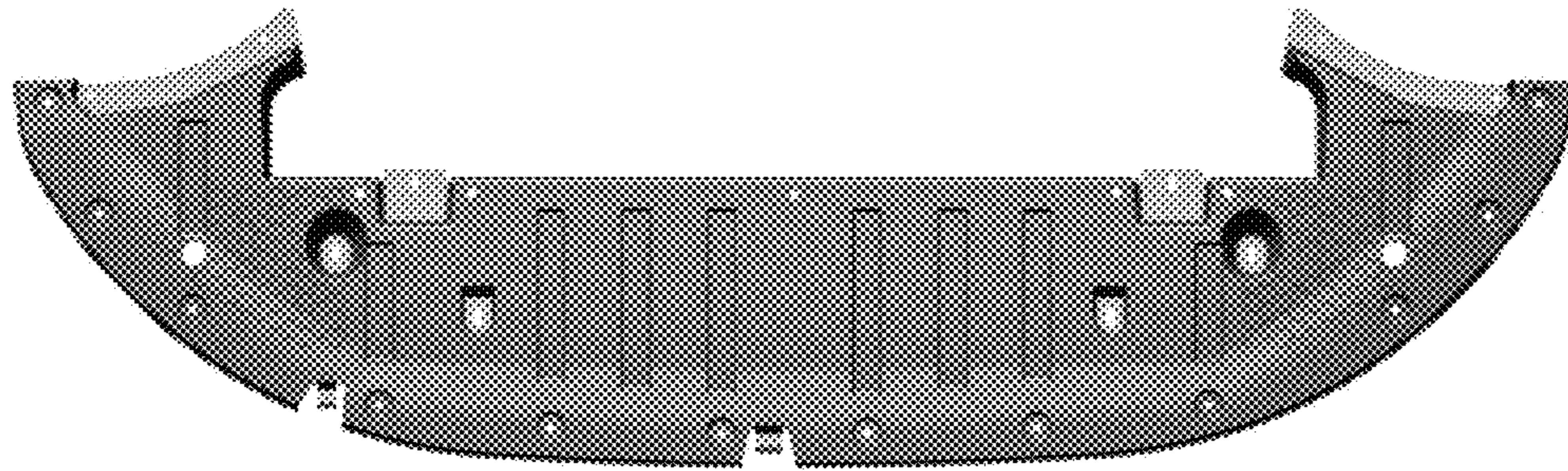


FIG. 9

