



US00D864817S

(12) **United States Design Patent** (10) **Patent No.:** **US D864,817 S**  
**Donfrancesco et al.** (45) **Date of Patent:** **\*\* Oct. 29, 2019**

(54) **INSTRUMENT PANEL FOR A VEHICLE**  
(71) Applicant: **Jaguar Land Rover Limited**, Whitley, Coventry (GB)  
(72) Inventors: **Adam Donfrancesco**, Coventry (GB); **Paul Walford**, Coventry (GB)  
(73) Assignee: **Jaguar Land Rover Limited**, Whitley, Coventry (GB)

(\*\*) Term: **15 Years**  
(21) Appl. No.: **29/653,024**  
(22) Filed: **Jun. 12, 2018**

(30) **Foreign Application Priority Data**  
Dec. 12, 2017 (EM) ..... 004544302  
(51) **LOC (12) Cl.** ..... **12-16**  
(52) **U.S. Cl.**  
USPC ..... **D12/192**  
(58) **Field of Classification Search**  
USPC ..... D12/192, 415, 114, 345; D15/17, 28; D10/46, 98, 102-103, 122-127; D23/324  
CPC ..... B60H 1/34; B60H 1/3407; B60H 1/3414; B60H 1/3421; B60H 1/3428; B60H 1/3435; B60H 1/3442; B60H 1/345; B60H 1/3457; B60H 2001/3464; B60H 2001/3471; B60H 2001/3478; B60H 2001/3485  
See application file for complete search history.

(56) **References Cited**  
**U.S. PATENT DOCUMENTS**  
D791,664 S \* 7/2017 Igarashi ..... D12/192  
D793,931 S \* 8/2017 Lee ..... D12/192

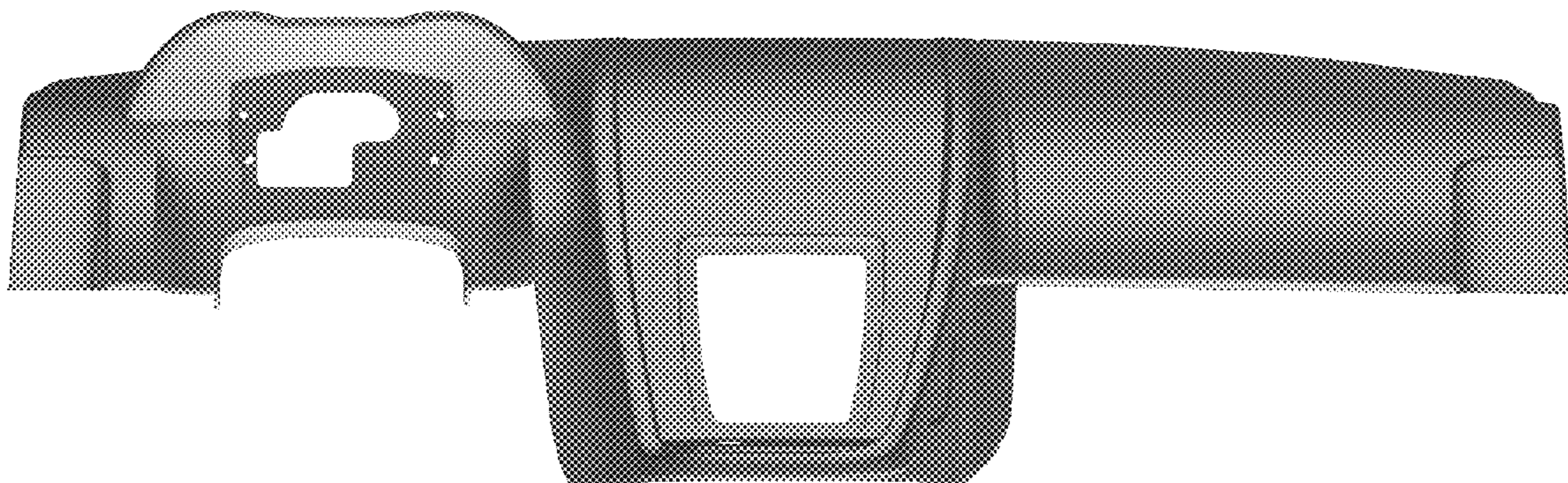
D803,743 S \* 11/2017 Igarashi ..... D12/192  
D804,380 S \* 12/2017 Nakai ..... D12/192  
D807,266 S \* 1/2018 Hasegawa ..... D12/192  
D810,643 S \* 2/2018 Takamura ..... D12/192  
D812,536 S \* 3/2018 Matsuda ..... D12/192  
D813,769 S \* 3/2018 Yaguchi ..... D12/192  
D819,533 S \* 6/2018 Choi ..... D12/192  
D826,122 S \* 8/2018 Yamamoto ..... D12/192  
D828,260 S \* 9/2018 Takagi ..... D12/192  
D830,927 S \* 10/2018 Tanaka ..... D12/192

\* cited by examiner  
*Primary Examiner* — Katrina A Betton  
(74) *Attorney, Agent, or Firm* — Wood Herron & Evans LLP

(57) **CLAIM**  
The ornamental design for an instrument panel for a vehicle, as shown and described.

**DESCRIPTION**  
FIG. 1 is a front left elevated perspective view of an instrument panel for vehicle according to the present invention.  
FIG. 2 is a front left perspective view of the instrument panel shown in FIG. 1.  
FIG. 3 is a rear right elevated perspective view thereof.  
FIG. 4 is a rear right perspective view thereof.  
FIG. 5 is a front view thereof.  
FIG. 6 is a rear view thereof.  
FIG. 7 is a left side view thereof.  
FIG. 8 is a right side view thereof; and,  
FIG. 9 is a top view thereof.

**1 Claim, 9 Drawing Sheets**



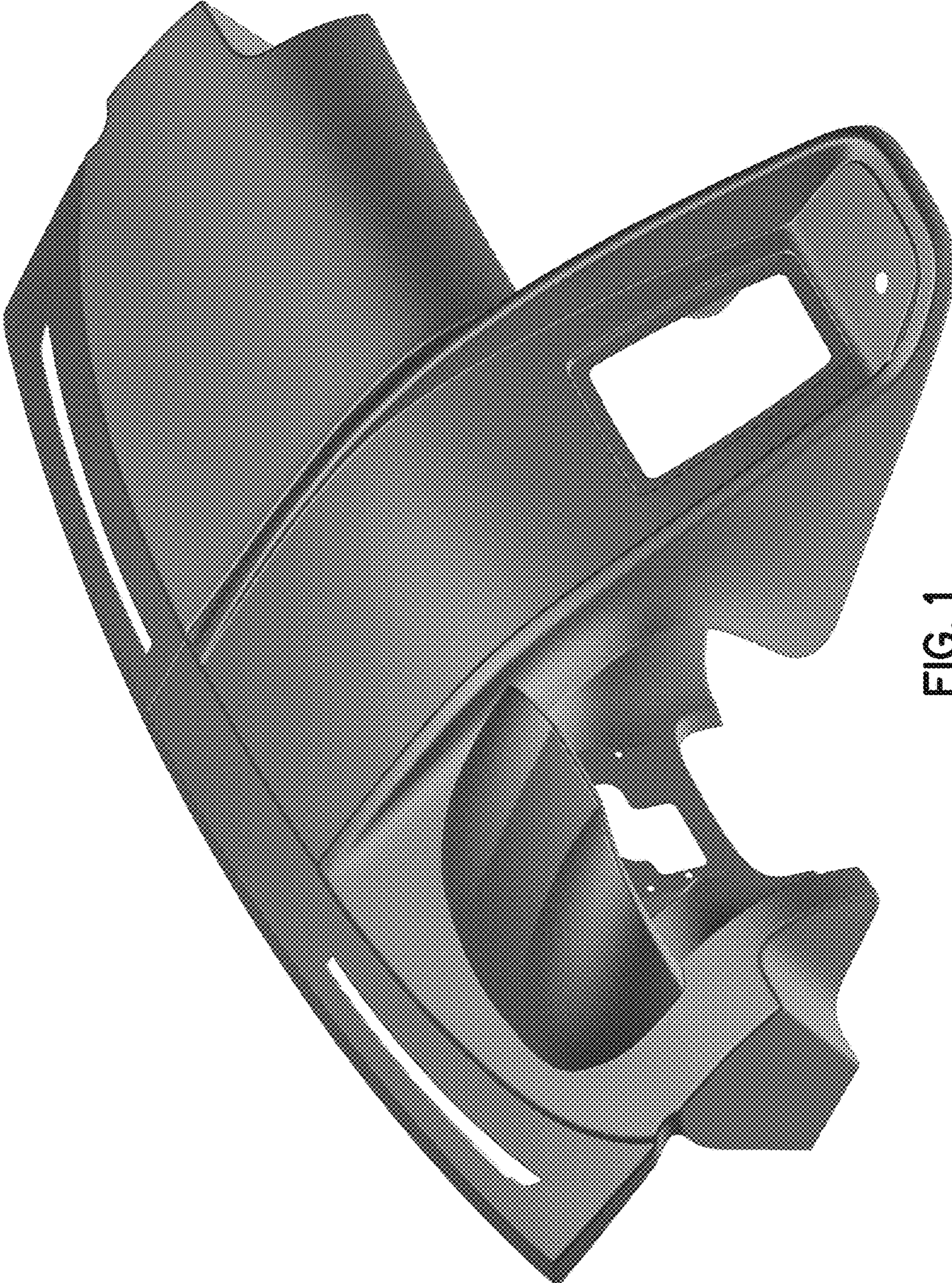


FIG. 1

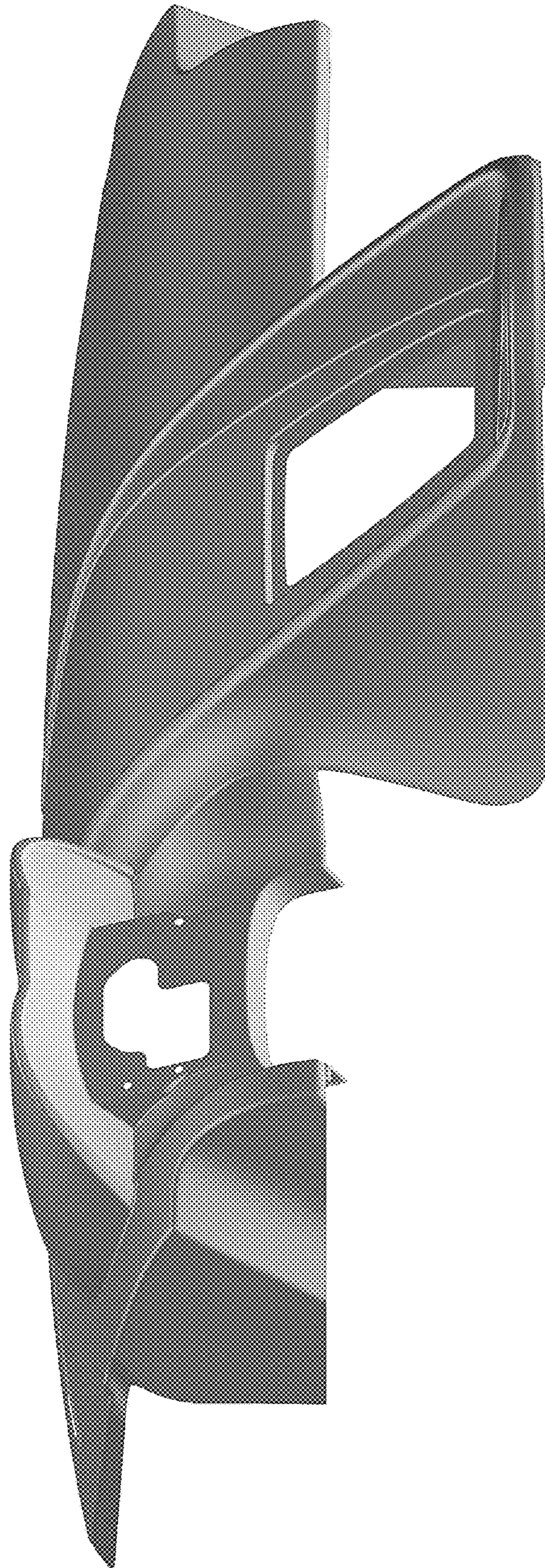


FIG. 2

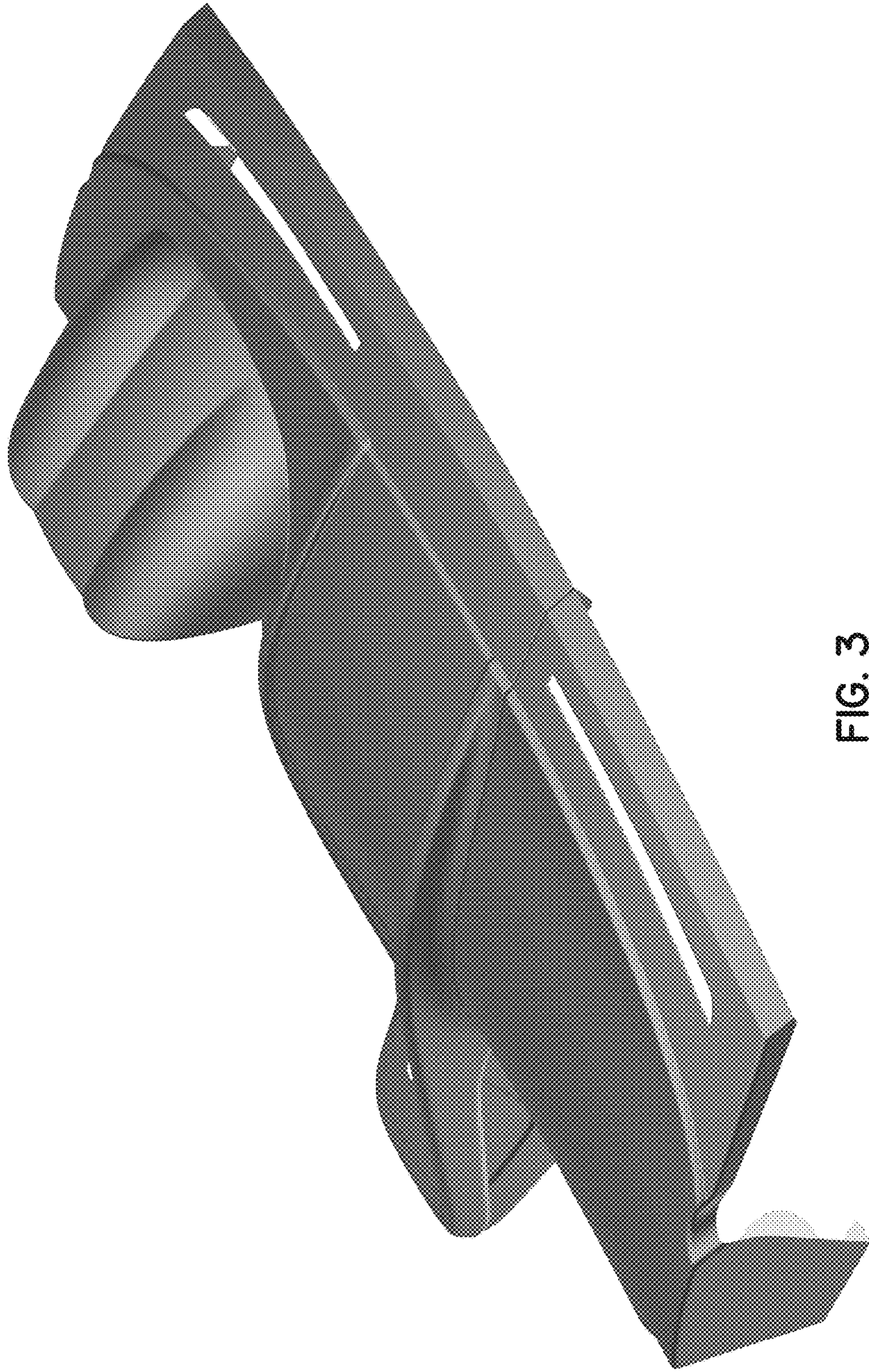


FIG. 3

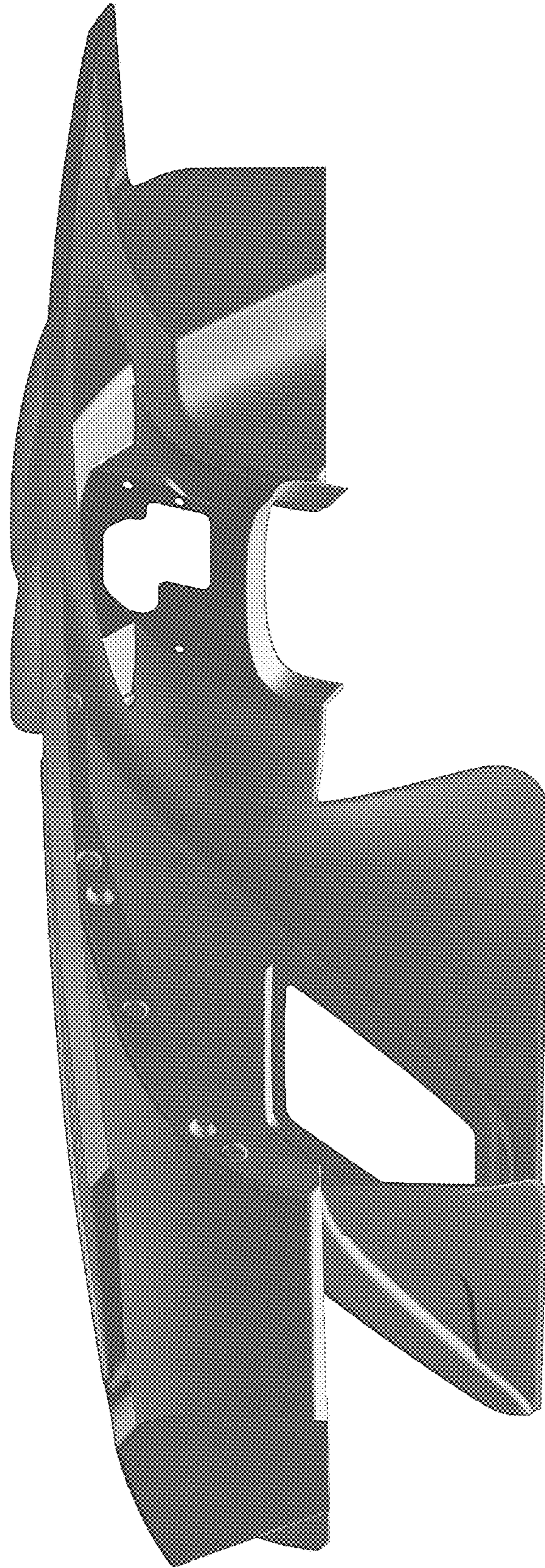


FIG. 4

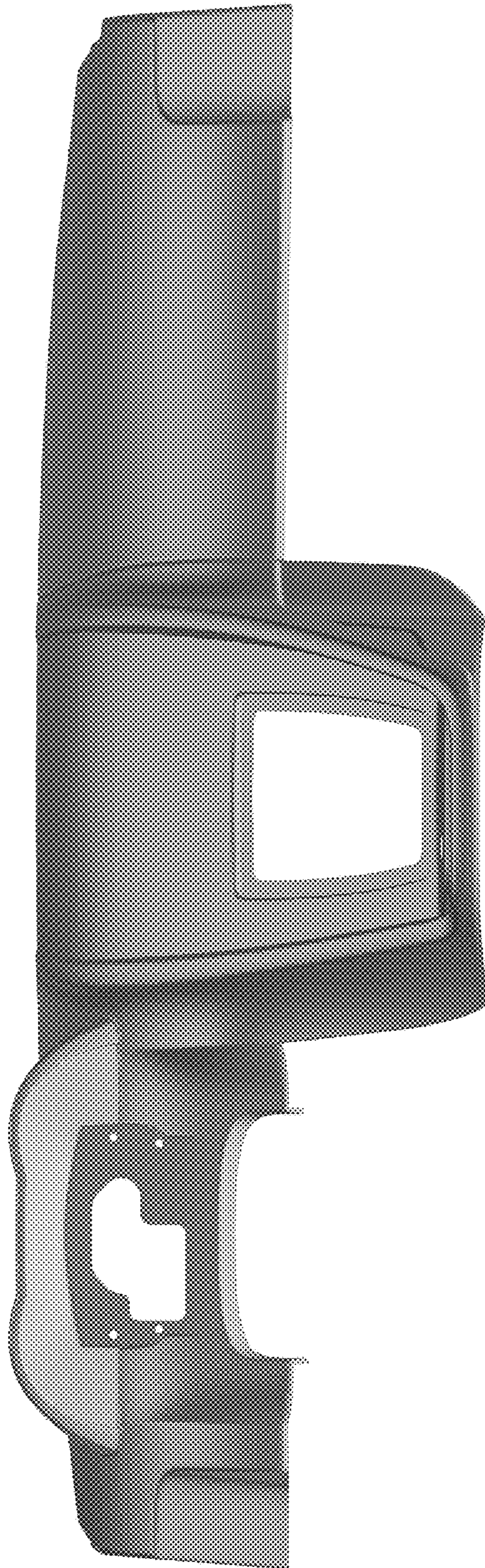


FIG. 5

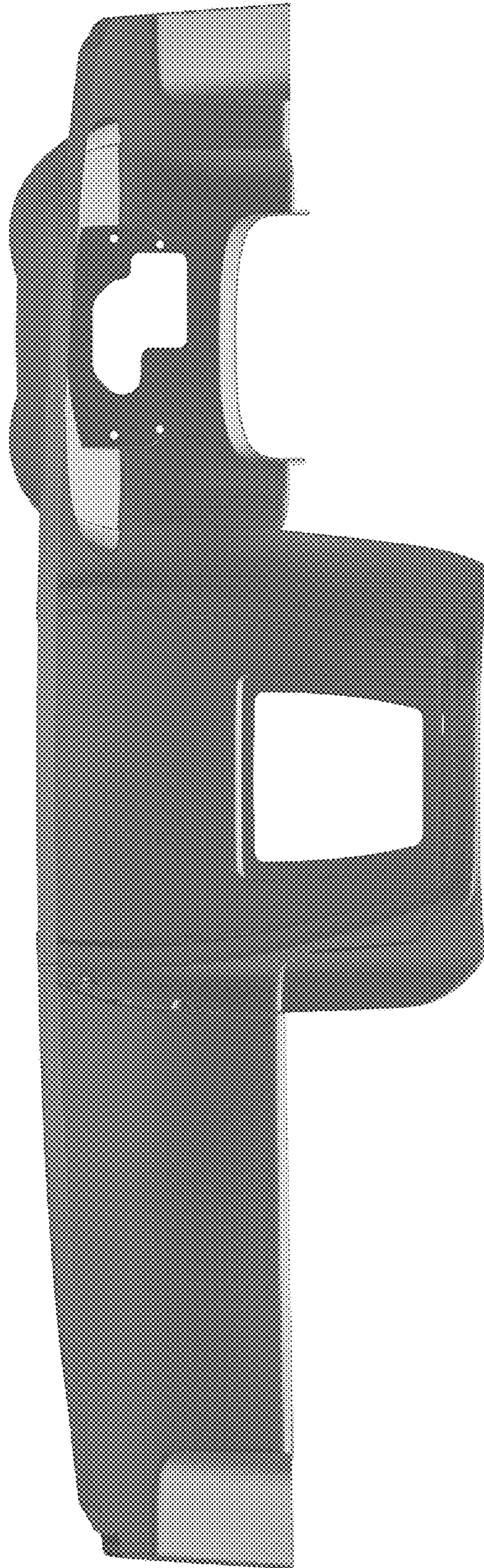


FIG. 6

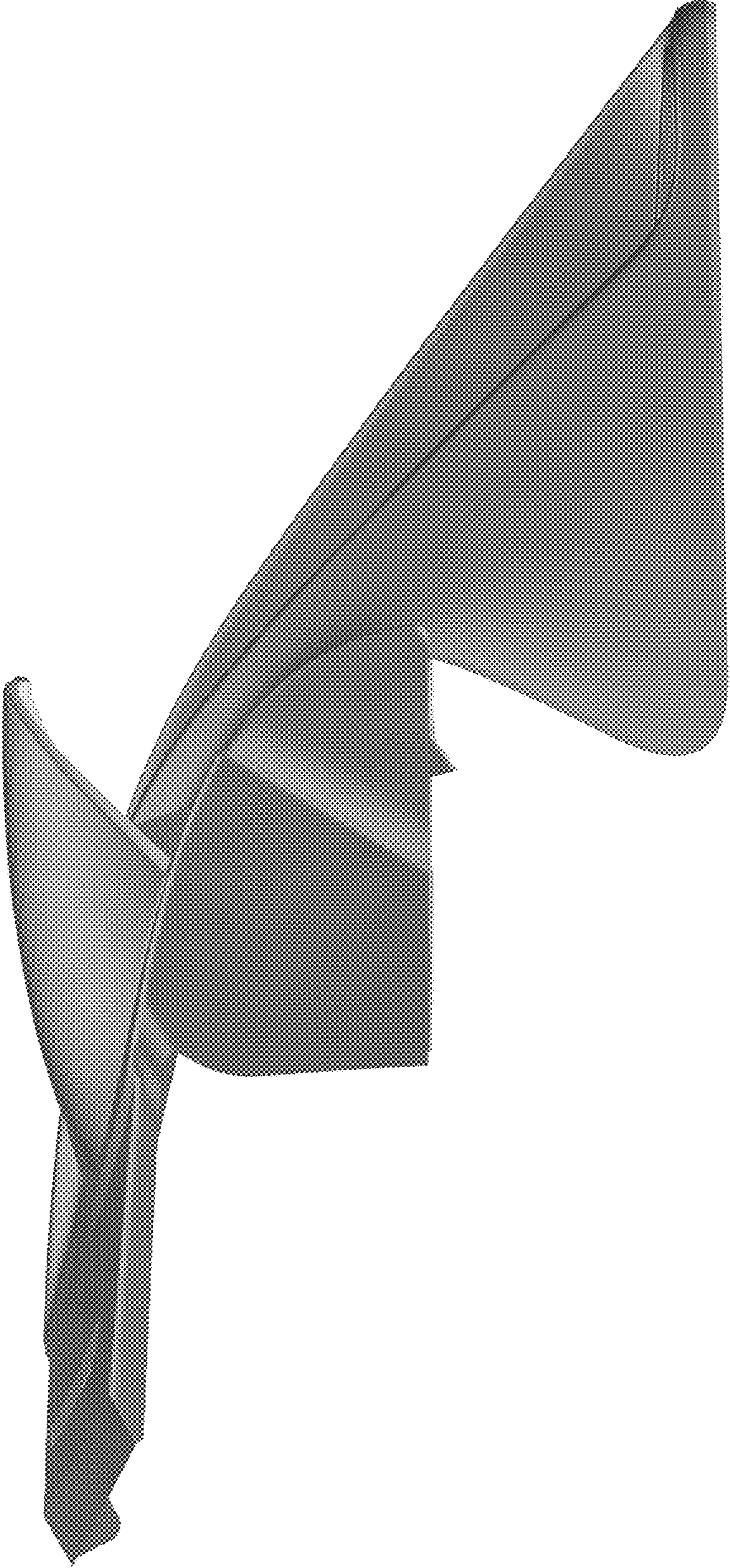


FIG. 7



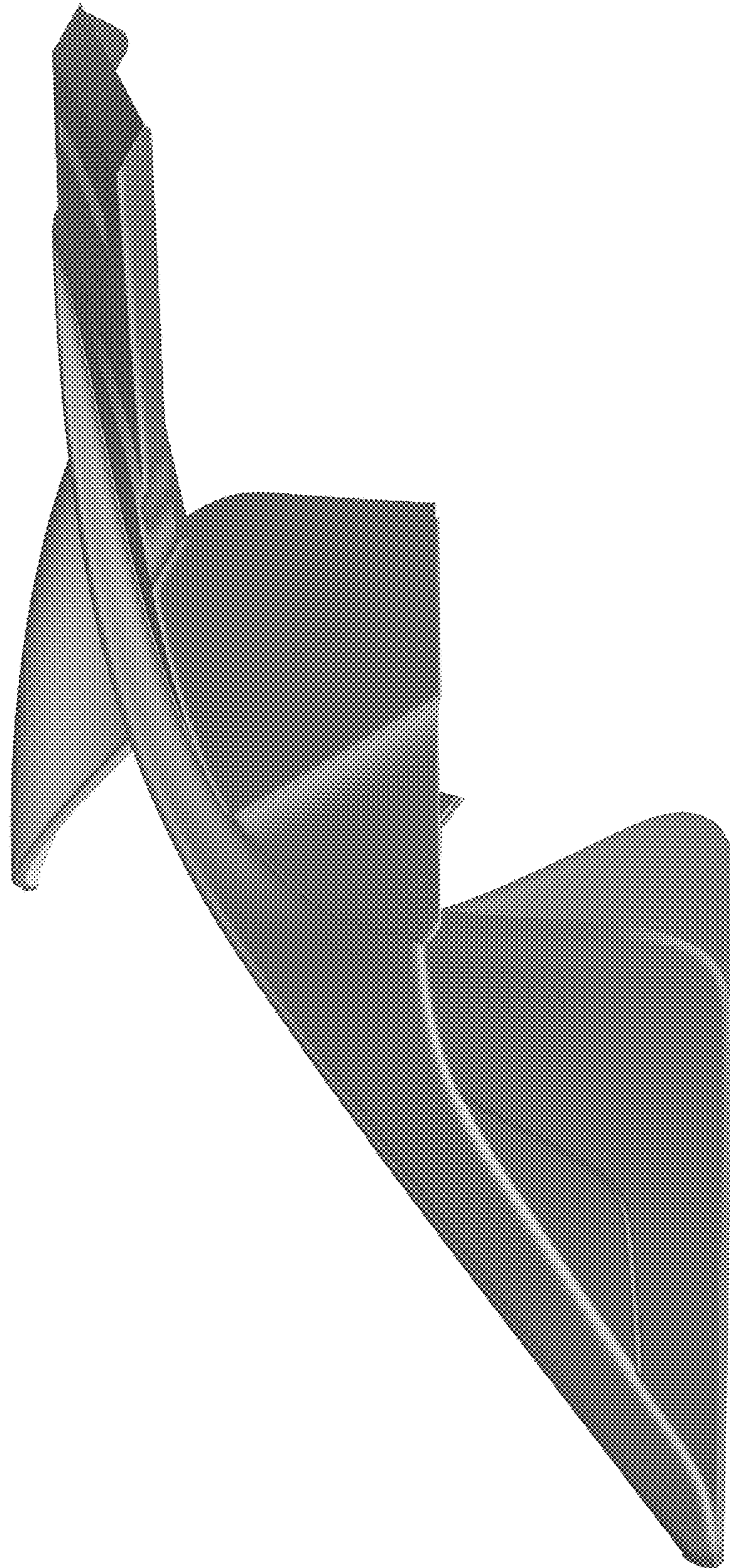


FIG. 8



FIG. 9

UNITED STATES PATENT AND TRADEMARK OFFICE  
**CERTIFICATE OF CORRECTION**

PATENT NO. : D864,817 S  
APPLICATION NO. : 29/653024  
DATED : October 29, 2019  
INVENTOR(S) : Adam Donfrancesco et al.

Page 1 of 1

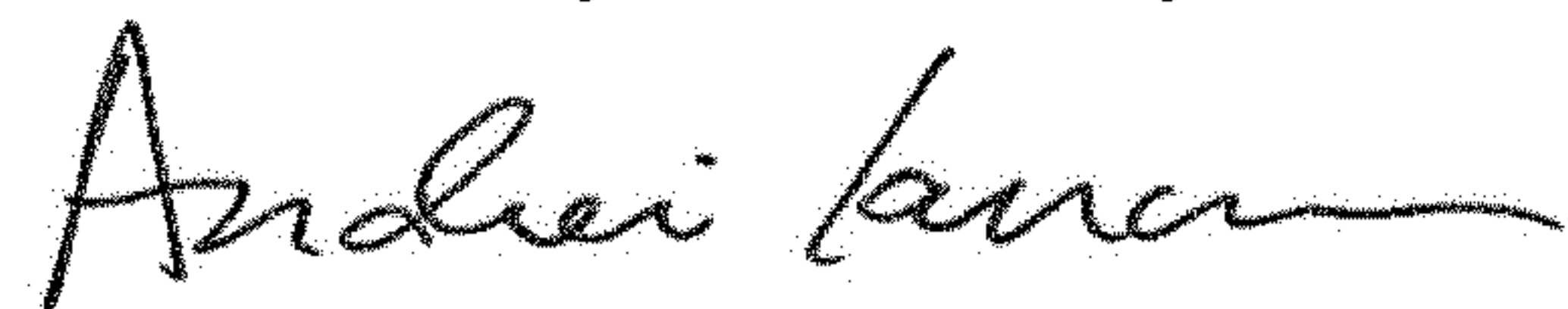
It is certified that error appears in the above-identified patent and that said Letters Patent is hereby corrected as shown below:

On the Title Page

Column 2, Under "Description"

Line 2, "for vehicle" should be ---for a vehicle---

Signed and Sealed this  
Fourth Day of February, 2020



Andrei Iancu  
*Director of the United States Patent and Trademark Office*