

US00D864815S

(12) **United States Design Patent** (10) **Patent No.:** **US D864,815 S**  
**Ray et al.** (45) **Date of Patent:** **\*\* Oct. 29, 2019**

(54) **INTERIOR PANEL FOR A VEHICLE**  
(71) Applicant: **Jaguar Land Rover Limited**, Whitley,  
Coventry (GB)  
(72) Inventors: **Paul Ray**, Coventry (GB); **Paul**  
**Hanstock**, Coventry (GB)  
(73) Assignee: **Jaguar Land Rover Limited**, Whitley,  
Coventry (GB)

D813,769 S \* 3/2018 Yaguchi ..... D12/192  
D819,533 S \* 6/2018 Choi ..... D12/192  
D826,122 S \* 8/2018 Yamamoto ..... D12/192  
D828,260 S \* 9/2018 Takagi ..... D12/192  
D830,927 S \* 10/2018 Tanaka ..... D12/192

\* cited by examiner

*Primary Examiner* — Katrina A Betton

(74) *Attorney, Agent, or Firm* — Wood Herron & Evans  
LLP

(\*\*) Term: **15 Years**  
(21) Appl. No.: **29/622,758**  
(22) Filed: **Oct. 19, 2017**

(57) **CLAIM**

The ornamental design for an interior panel for a vehicle, as  
shown and described.

(30) **Foreign Application Priority Data**

Apr. 21, 2017 (EM) ..... 003866789

(51) **LOC (12) Cl.** ..... **12-16**

(52) **U.S. Cl.**  
USPC ..... **D12/192**

(58) **Field of Classification Search**  
USPC ..... D12/192, 415, 114, 345; D15/17, 28;  
D10/46, 98, 102–103, 122–127; D23/324  
CPC ..... B60H 1/34; B60H 1/3407; B60H 1/3414;  
B60H 1/3421; B60H 1/3428; B60H  
1/3435; B60H 1/3442; B60H 1/345;  
B60H 1/3457; B60H 2001/3464; B60H  
2001/3471; B60H 2001/3478; B60H  
2001/3485

See application file for complete search history.

(56) **References Cited**

**U.S. PATENT DOCUMENTS**

D791,664 S \* 7/2017 Igarashi ..... D12/192  
D793,931 S \* 8/2017 Lee ..... D12/192  
D803,743 S \* 11/2017 Igarashi ..... D12/192  
D804,380 S \* 12/2017 Nakai ..... D12/192  
D807,266 S \* 1/2018 Hasegawa ..... D12/192  
D810,643 S \* 2/2018 Takamura ..... D12/192  
D812,536 S \* 3/2018 Matsuda ..... D12/192

**DESCRIPTION**

FIG. 1 is a front left perspective view of an interior panel for  
a vehicle according to a preferred embodiment of the  
invention.

FIG. 2 is a front right perspective view of the interior panel  
shown in FIG. 1.

FIG. 3 is a rear right perspective view thereof.

FIG. 4 is a rear left perspective view thereof.

FIG. 5 is a front view thereof.

FIG. 6 is a rear view thereof.

FIG. 7 is a left side view thereof.

FIG. 8 is a right side view thereof.

FIG. 9 is a top view thereof.

FIG. 10 is a bottom view thereof.

FIG. 11 is an elevated rear right side perspective view of an  
interior panel for a vehicle according to an alternative  
embodiment of the invention.

FIG. 12 is a front left perspective view of the interior panel  
shown in FIG. 11.

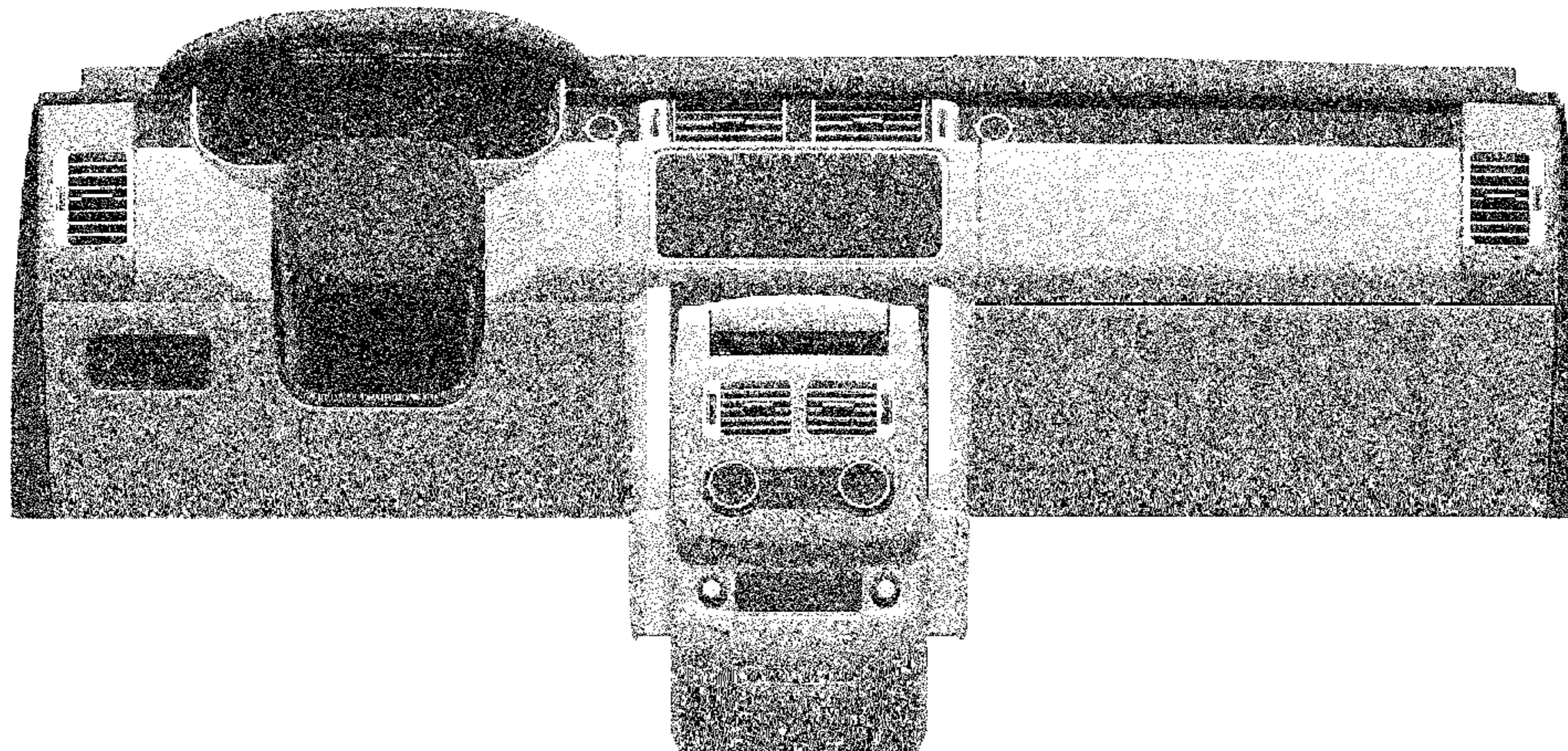
FIG. 13 is a front view thereof.

FIG. 14 is a left side view thereof; and,

FIG. 15 is a right side view thereof.

In FIGS. 11-15 the broken lines form no part of the claimed  
invention, but are instead included to show environmental  
structure.

**1 Claim, 15 Drawing Sheets**



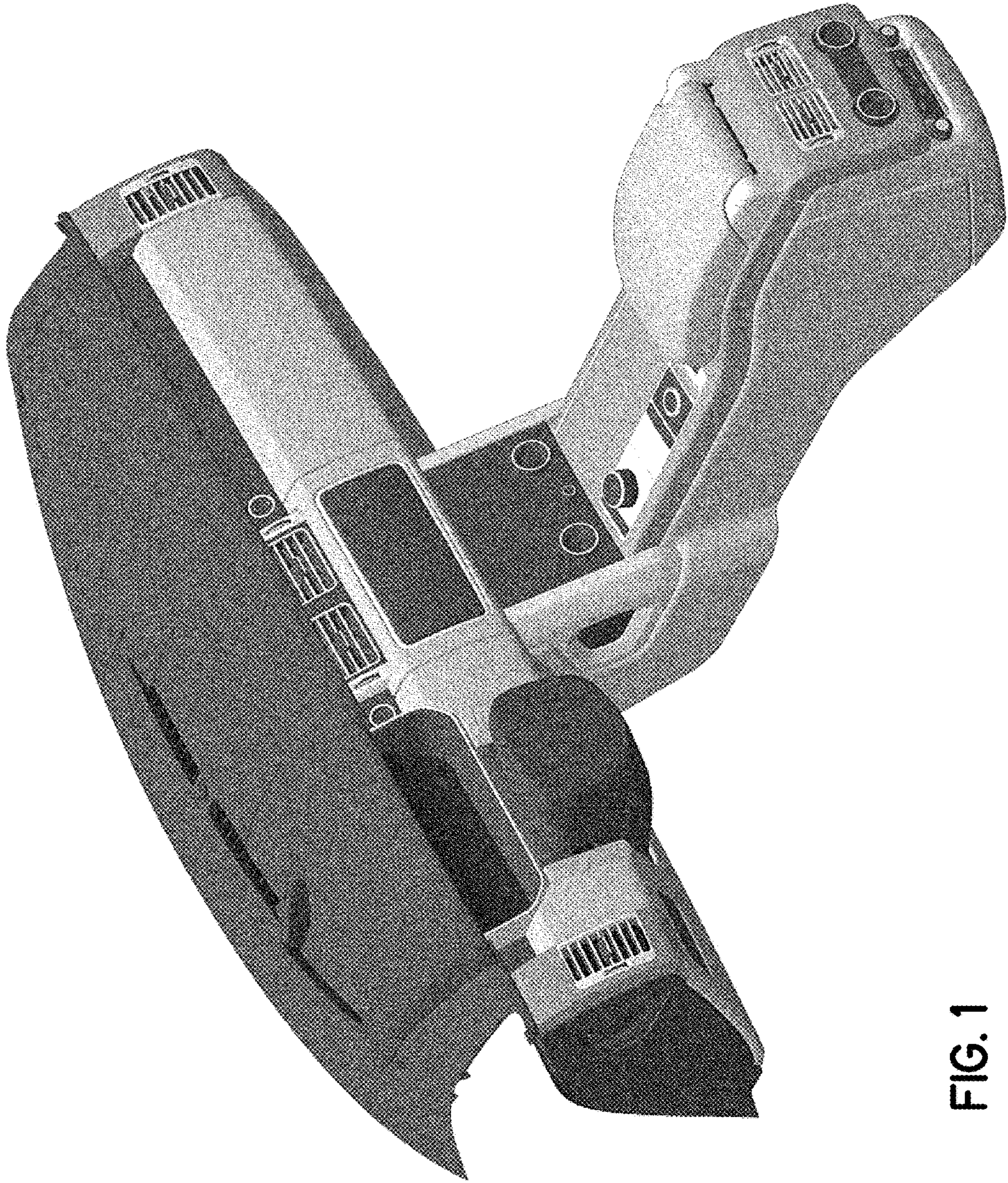


FIG. 1

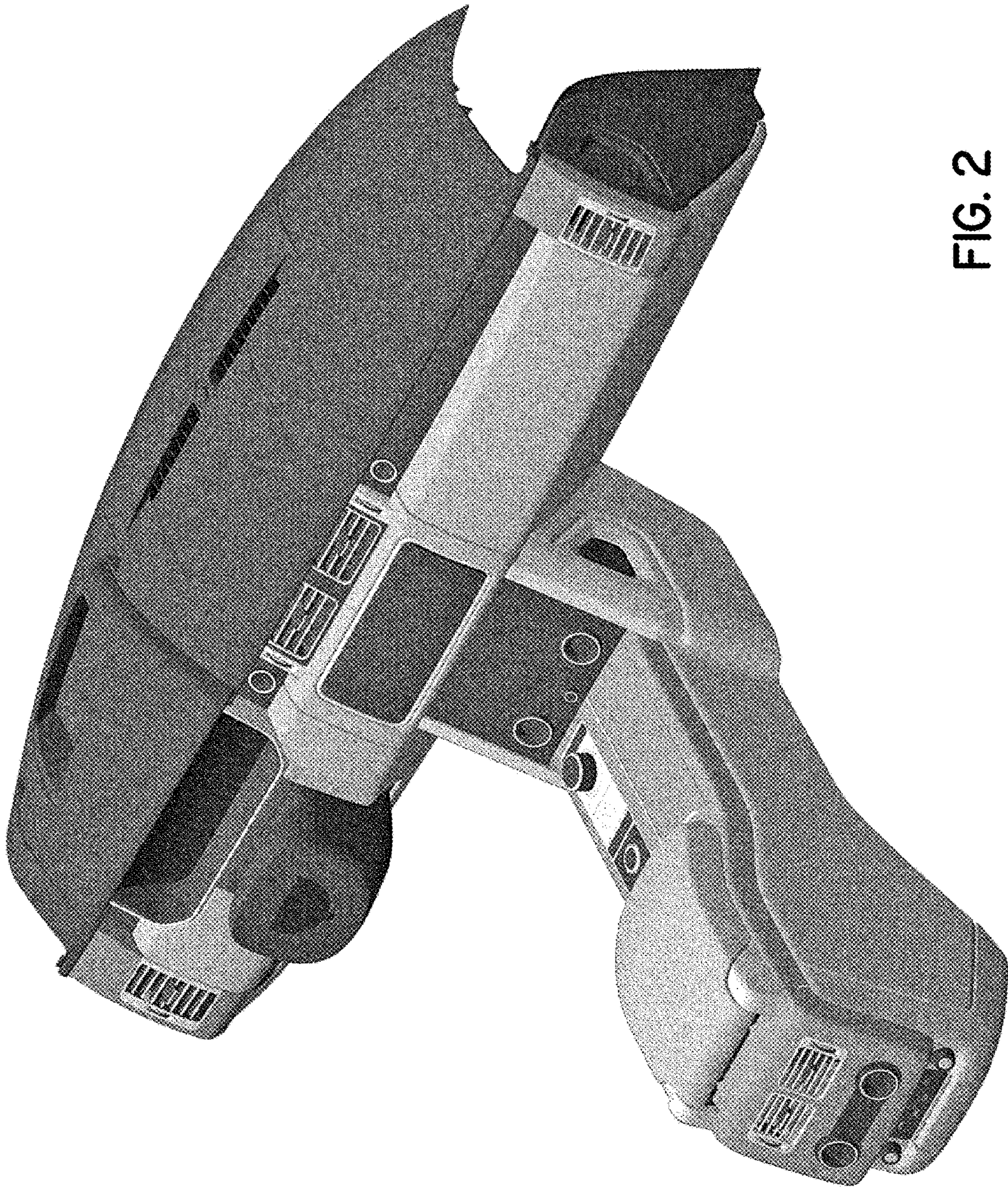


FIG. 2

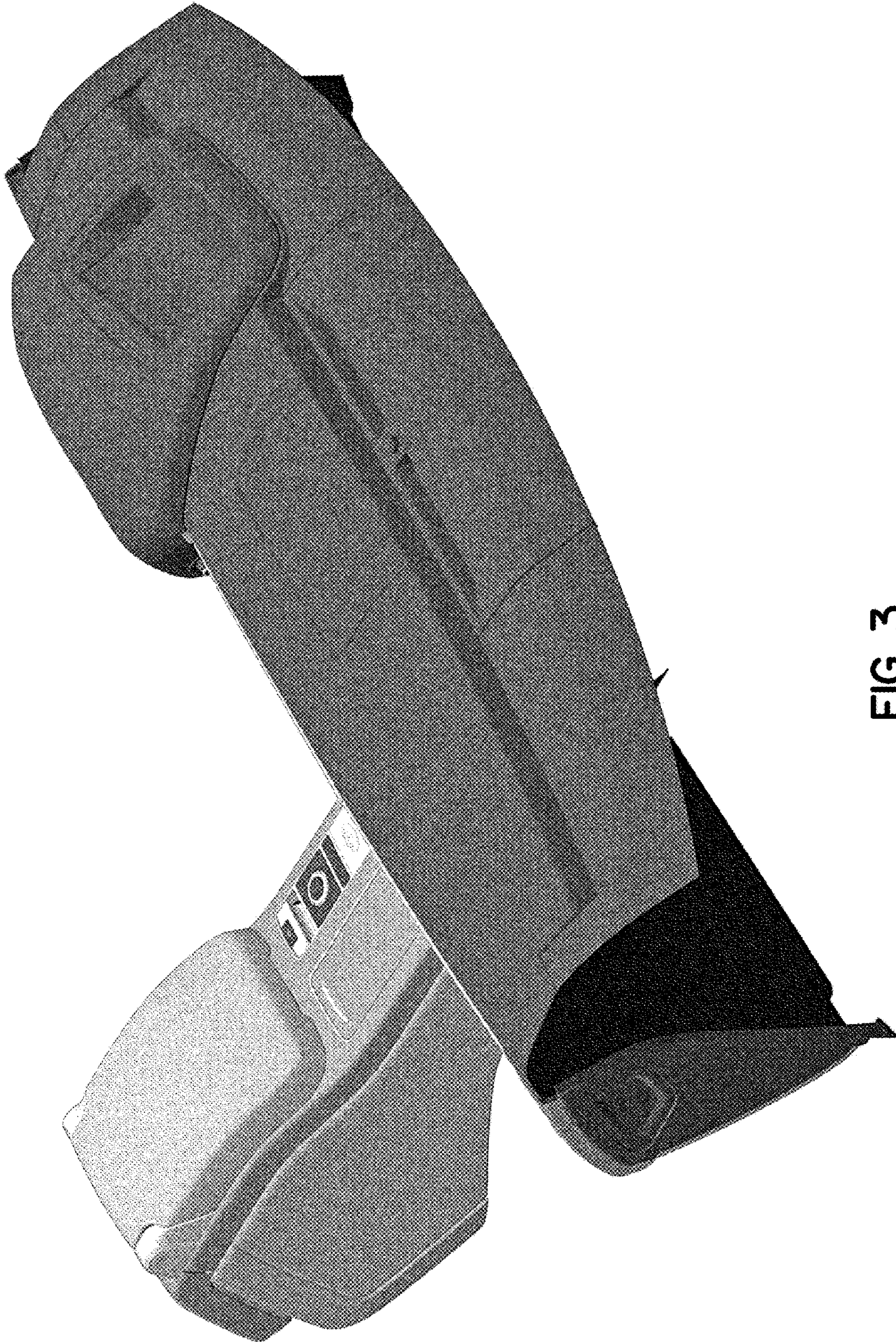


FIG. 3

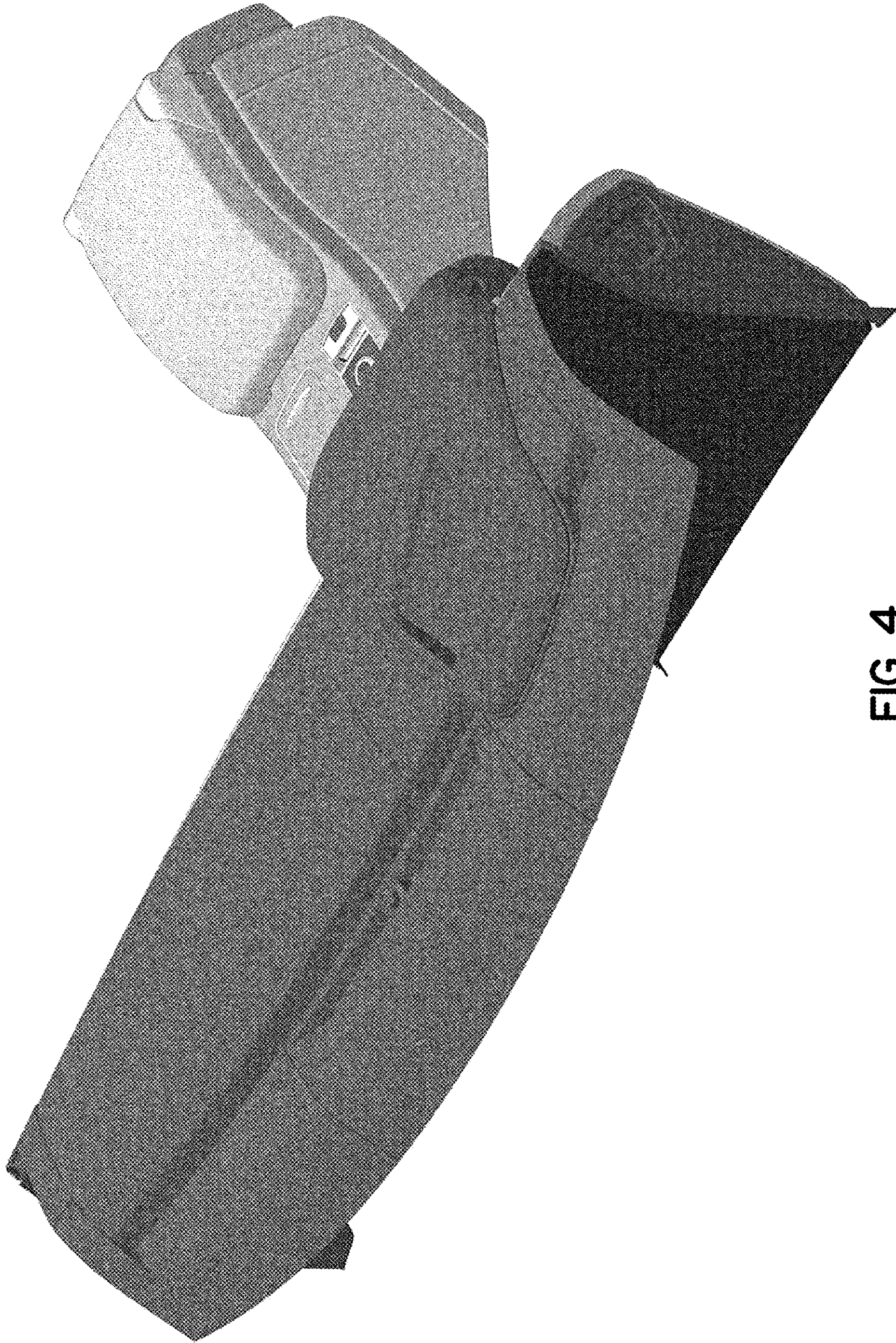


FIG. 4

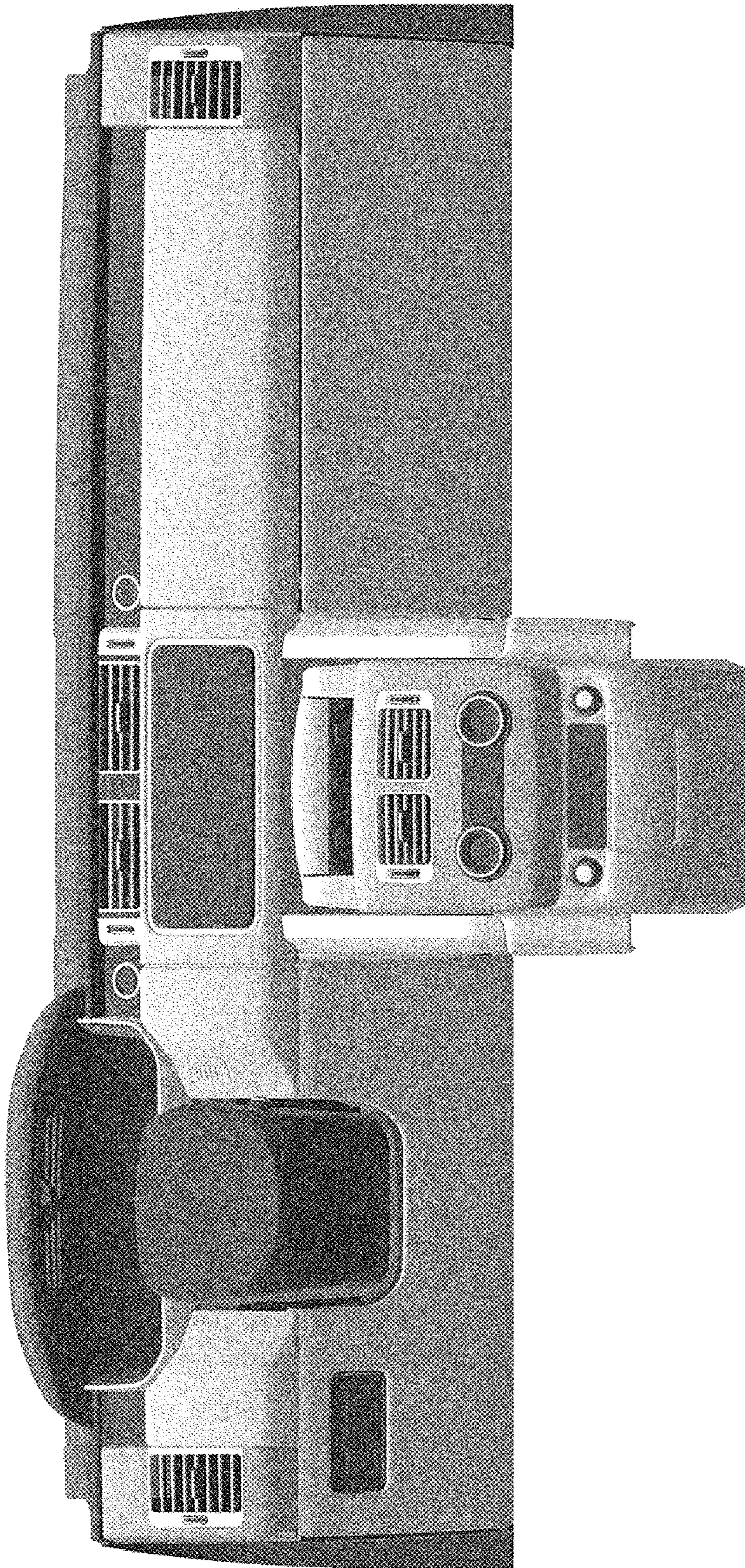


FIG. 5

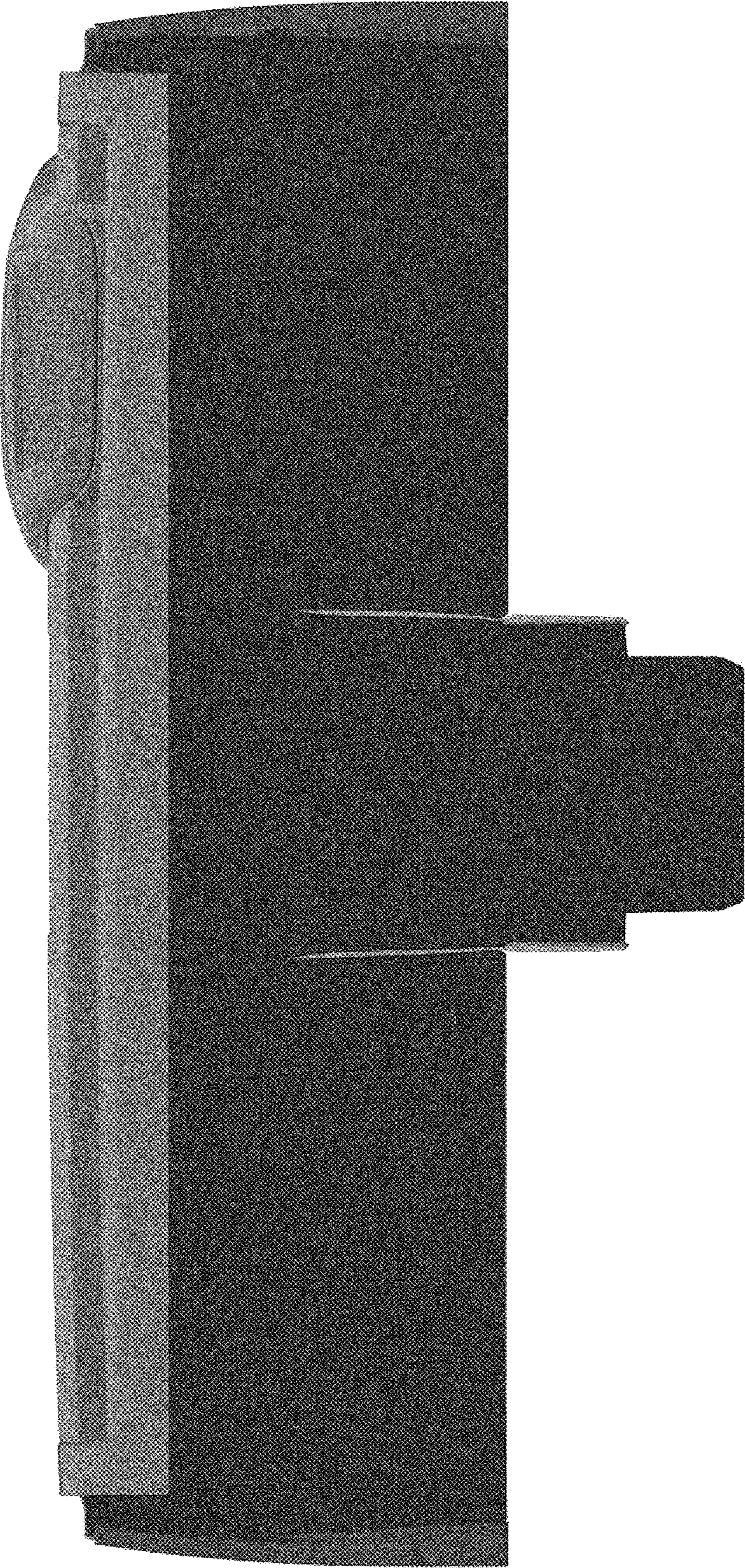


FIG. 6

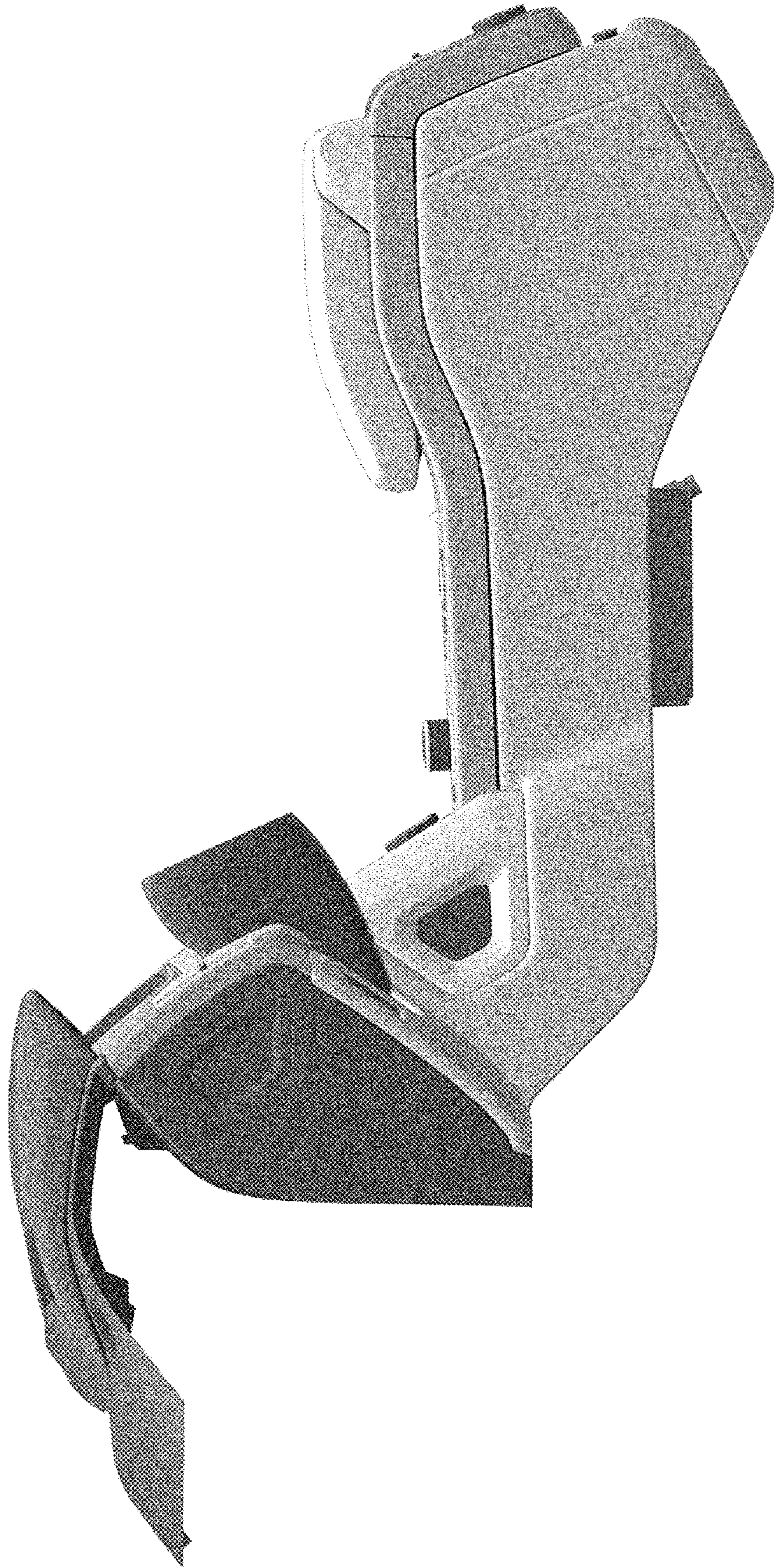


FIG. 7



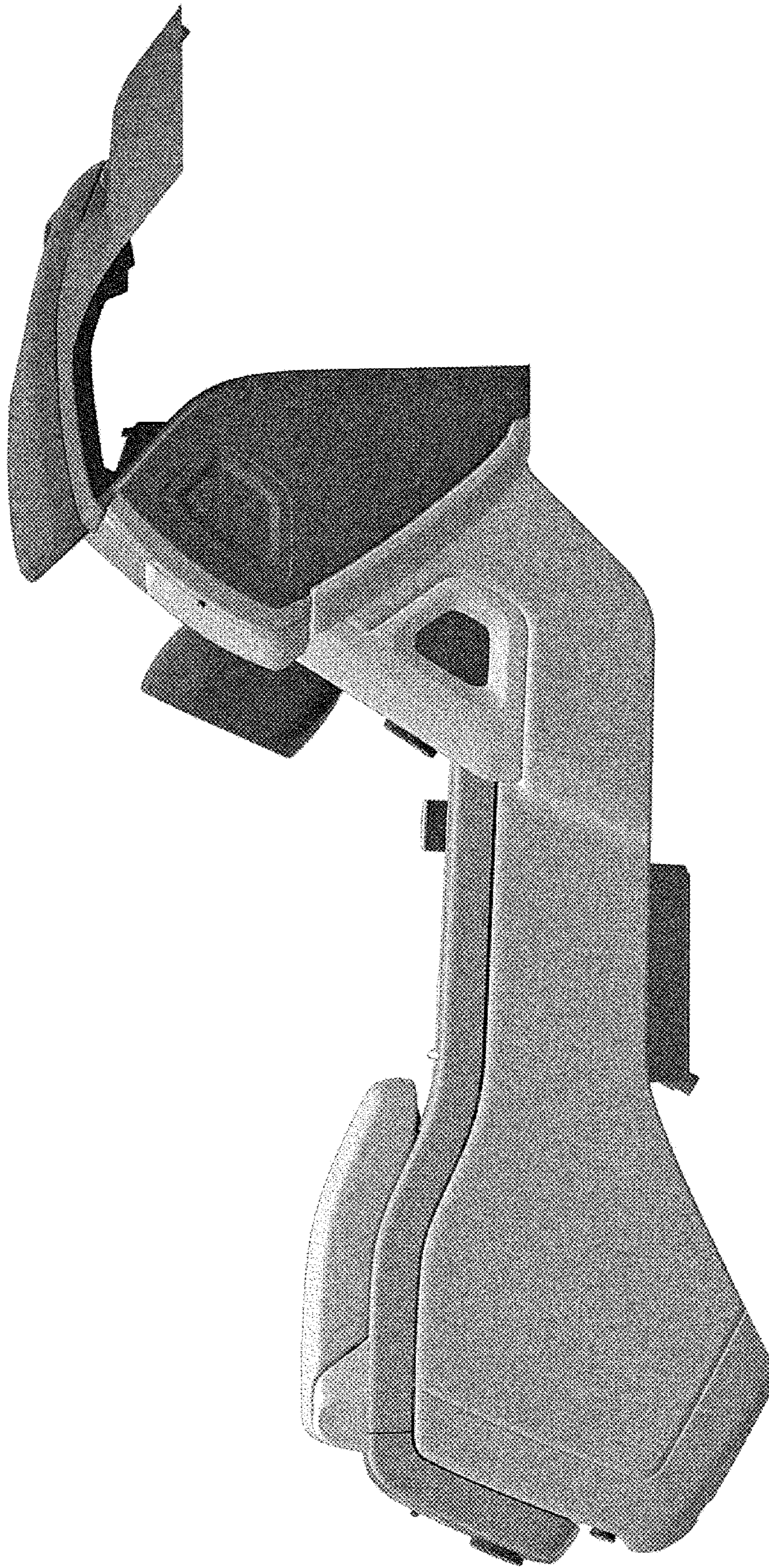


FIG. 8

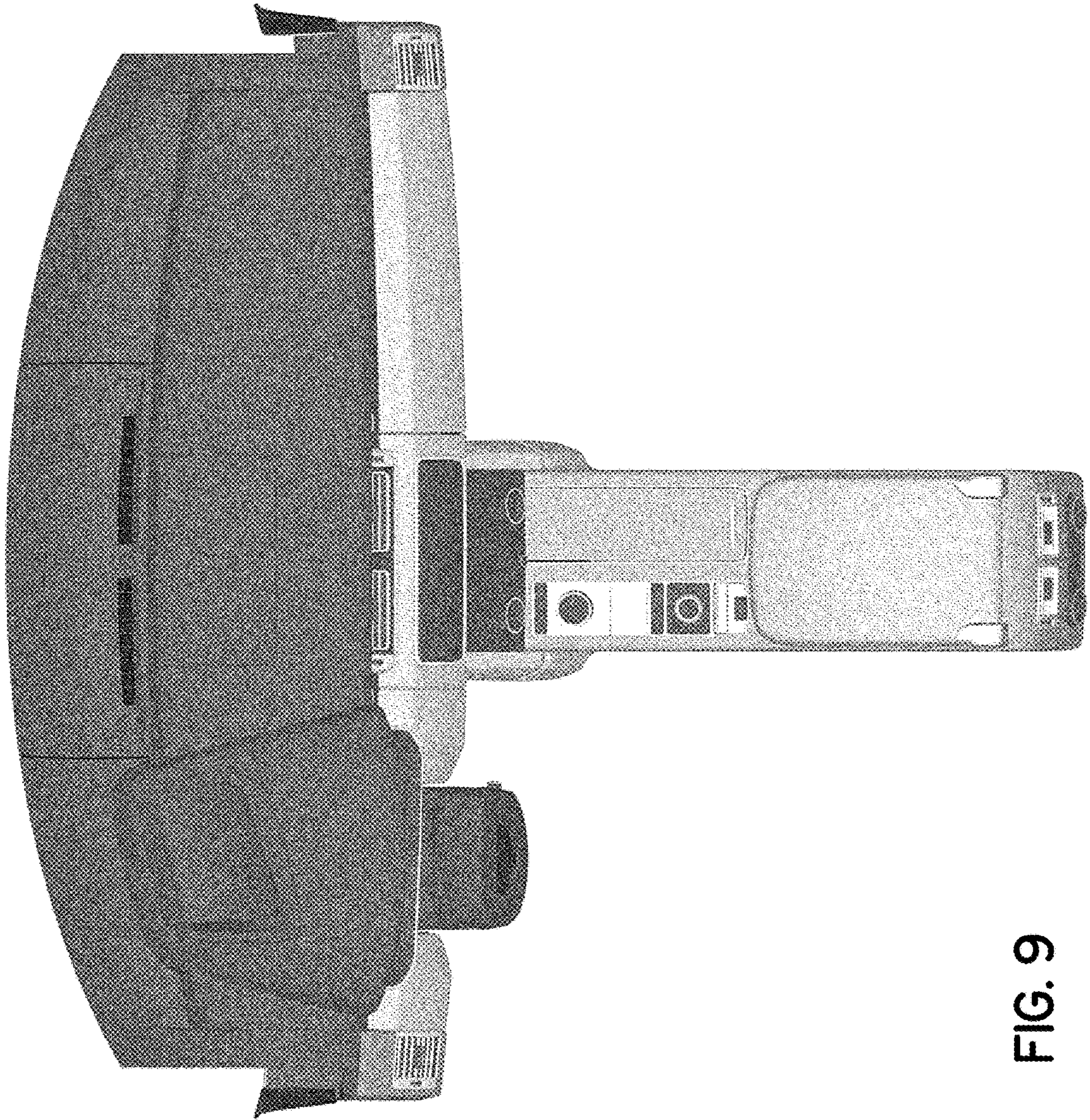


FIG. 9

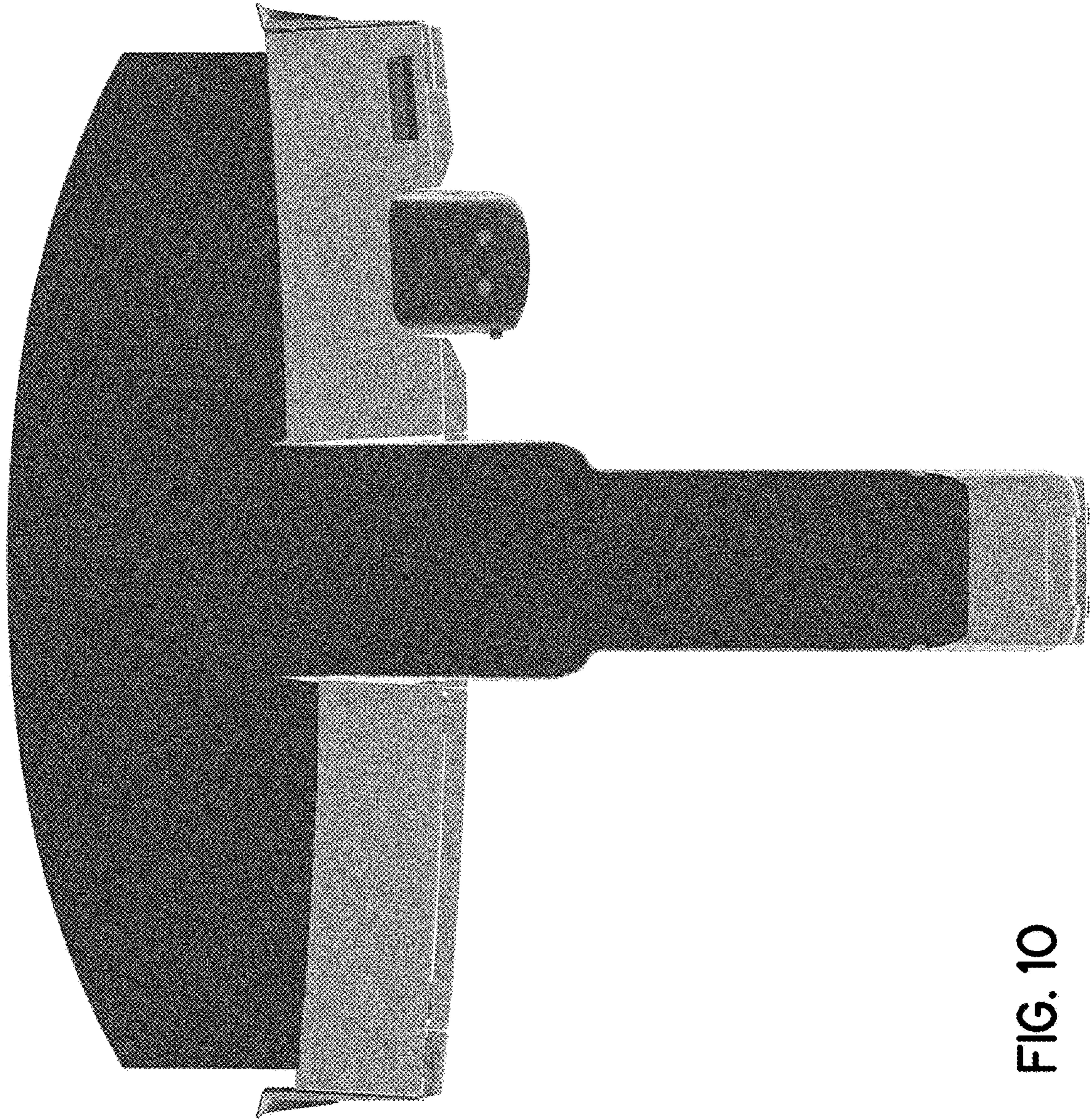


FIG. 10

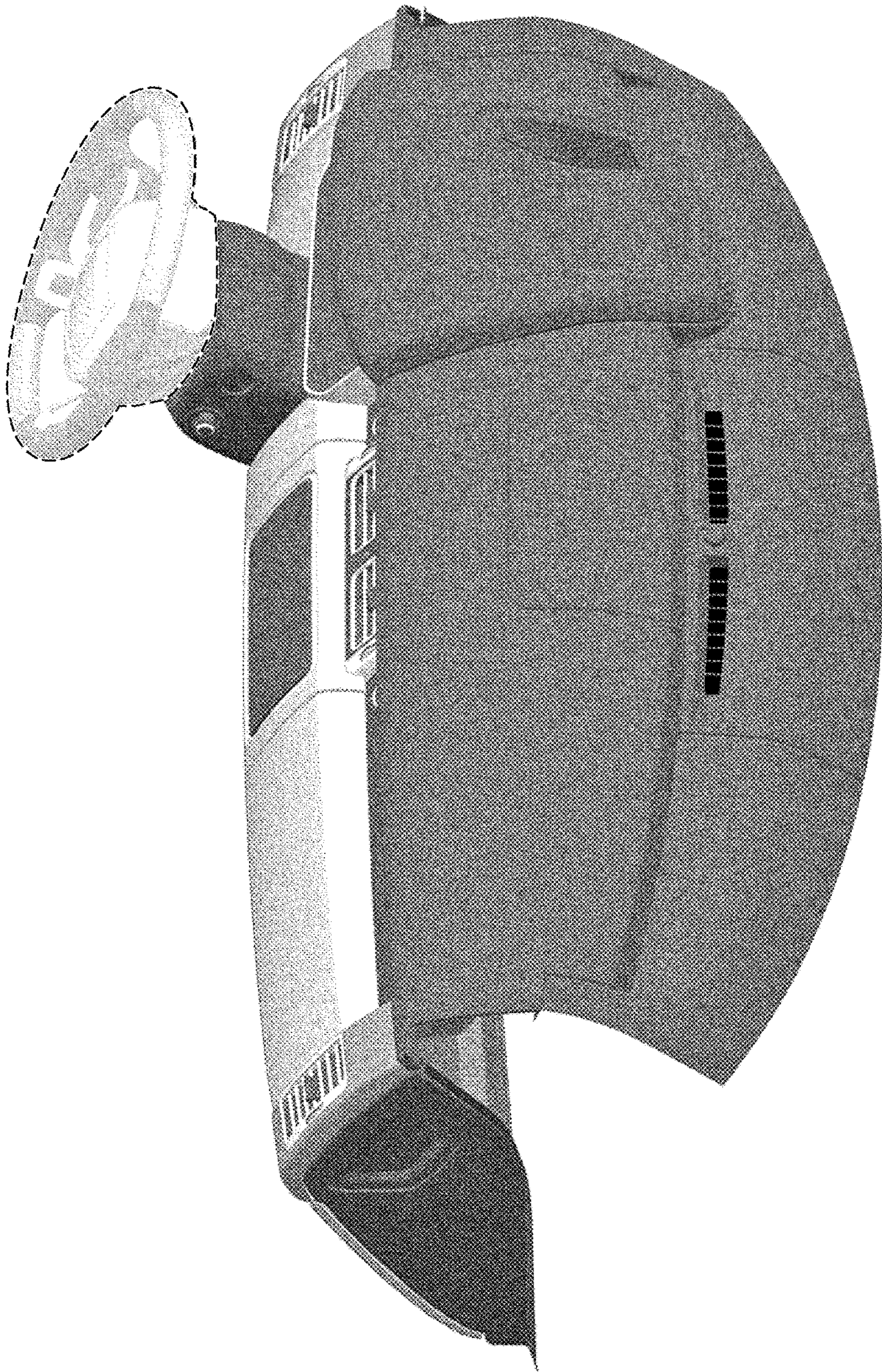


FIG. 11

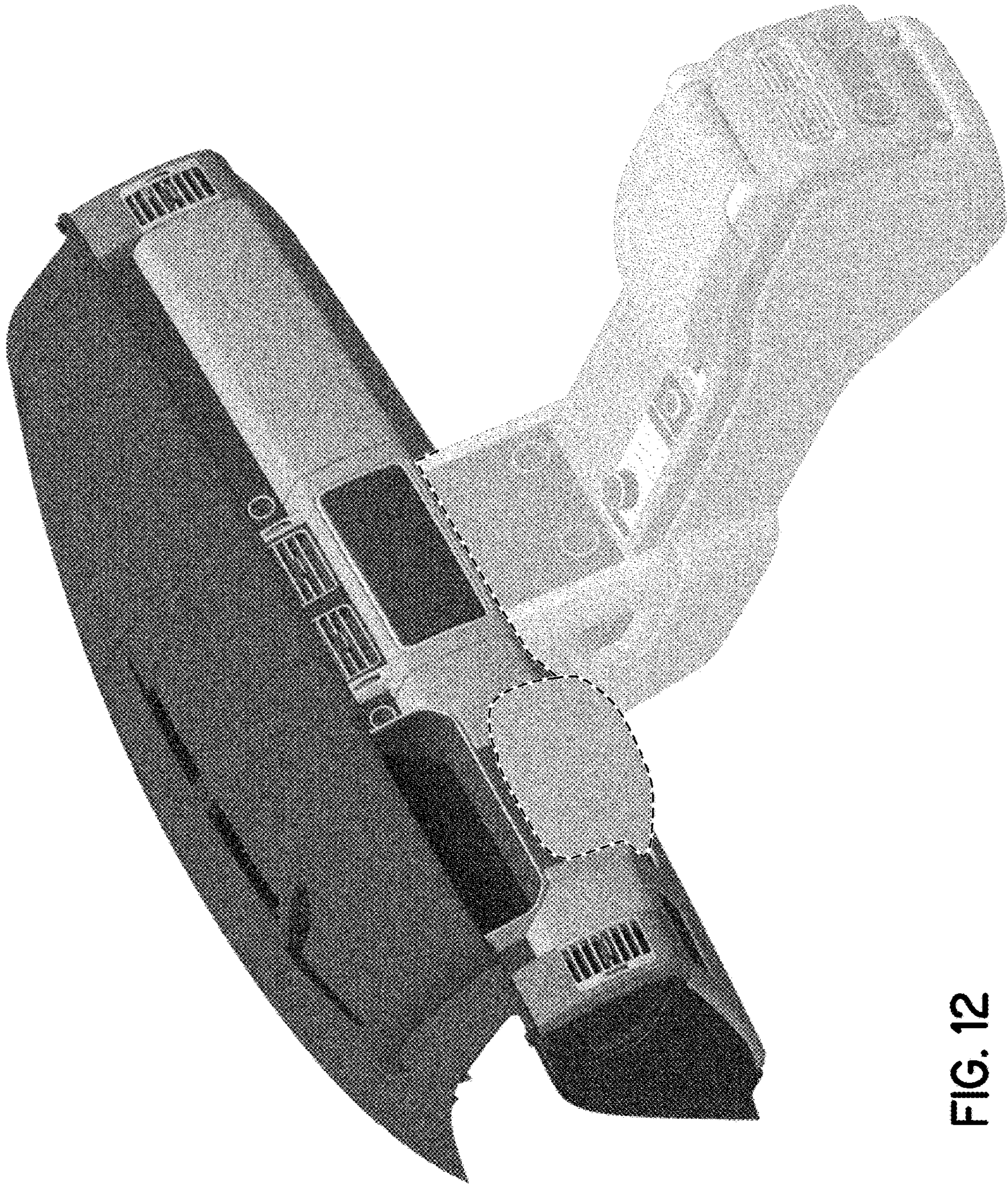


FIG. 12

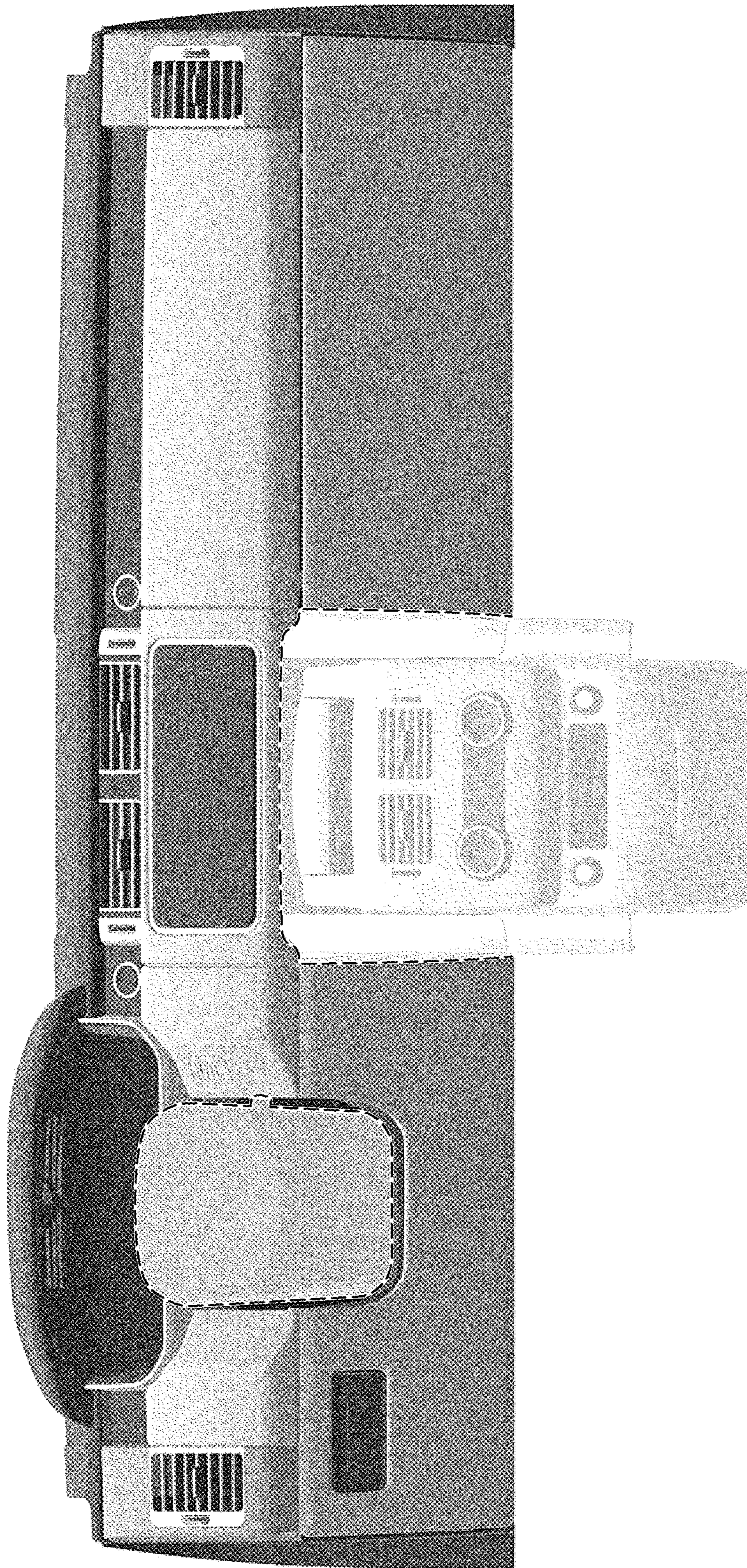


FIG. 13

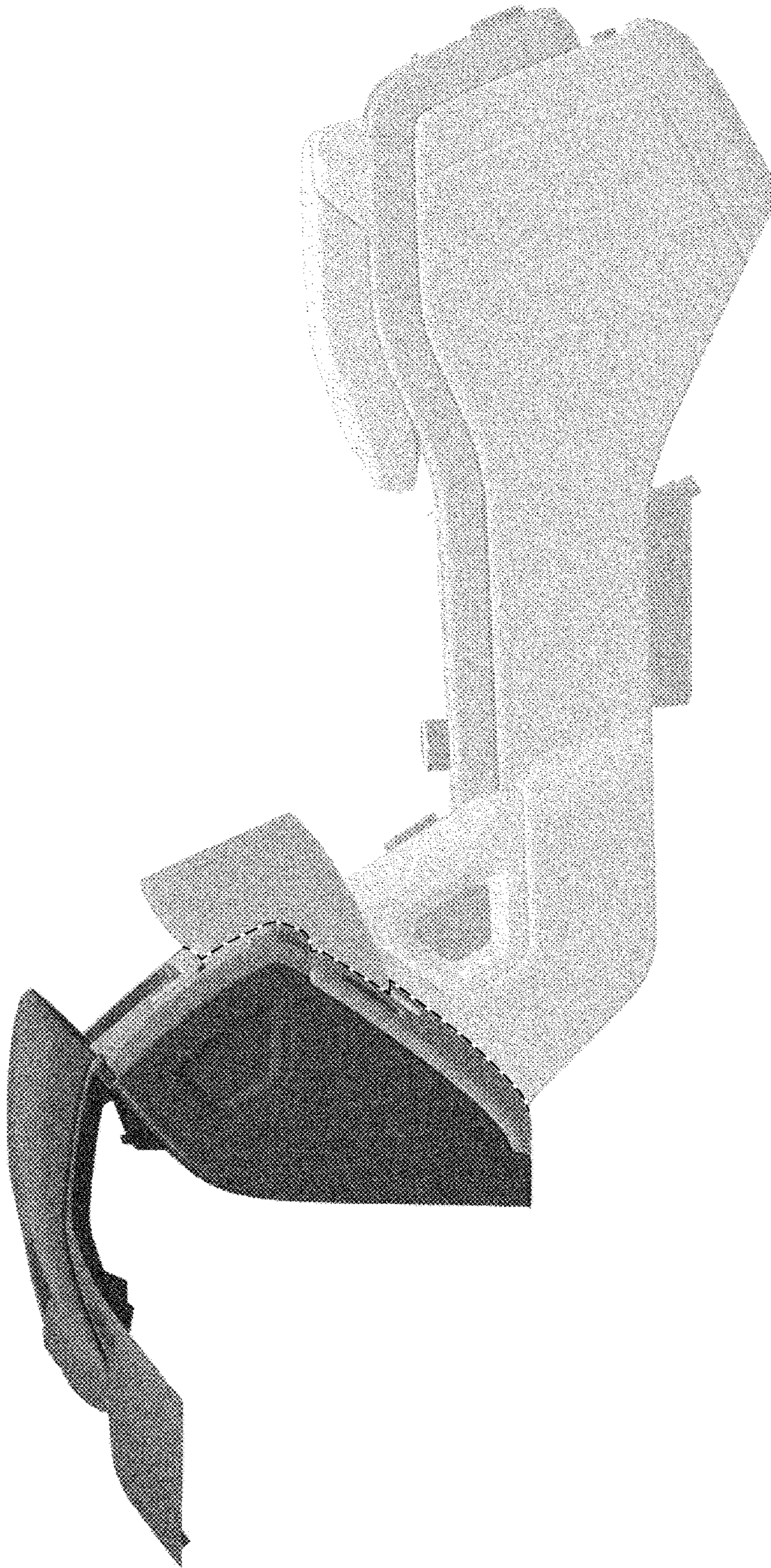


FIG. 14

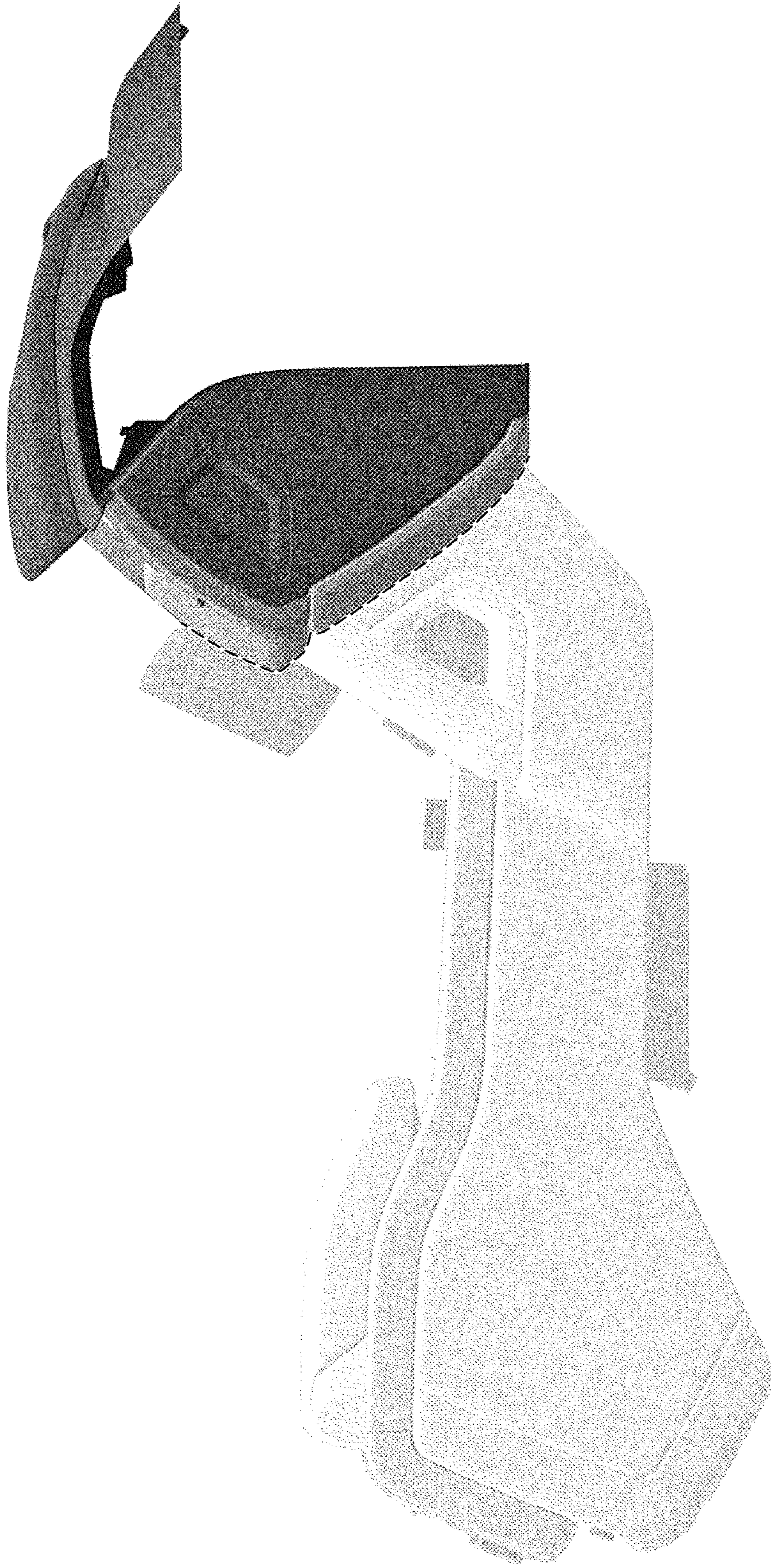


FIG. 15



UNITED STATES PATENT AND TRADEMARK OFFICE  
**CERTIFICATE OF CORRECTION**

PATENT NO. : D864,815 S  
APPLICATION NO. : 29/622758  
DATED : October 29, 2019  
INVENTOR(S) : Paul Ray et al.

Page 1 of 1

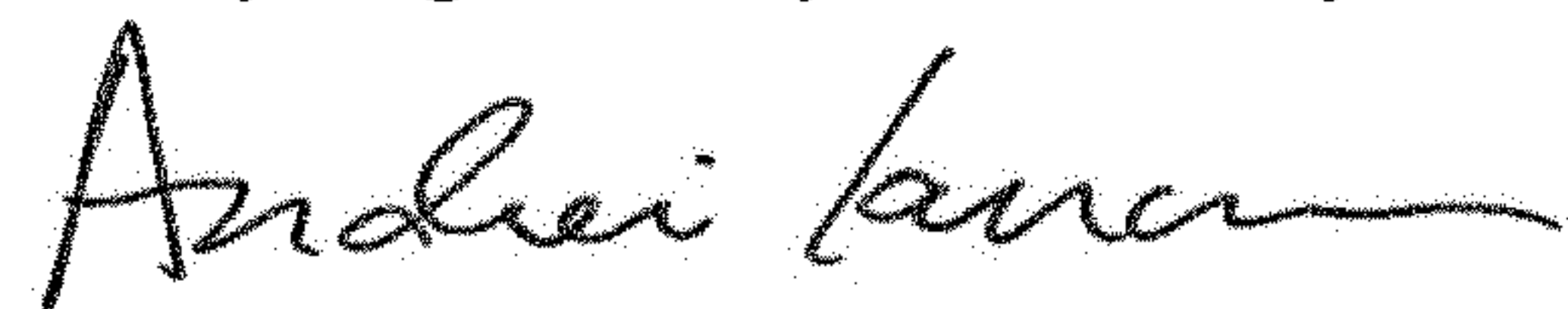
It is certified that error appears in the above-identified patent and that said Letters Patent is hereby corrected as shown below:

On the Title Page

Please correct as follows:

Column 2, under the heading "Description", Line 14, delete the word "rear".

Signed and Sealed this  
Twenty-eighth Day of January, 2020



Andrei Iancu  
*Director of the United States Patent and Trademark Office*