

US00D864814S

(12) **United States Design Patent** (10) **Patent No.:** **US D864,814 S**  
**Cuche et al.** (45) **Date of Patent:** **\*\* Oct. 29, 2019**

- (54) **VANITY MIRROR FOR VEHICLES**
- (71) Applicant: **GRUPO ANTOLÍN-INGENIERÍA, S. A.**, Burgos (ES)
- (72) Inventors: **Remy Cuche**, Besancon (FR);  
**Stéphane Richard**, Vagney (FR);  
**Vincent Bernard**, Remiremont (FR)
- (73) Assignee: **GRUPO ANTOLÍN-INGENIERÍA, S. A.**, Burgos (ES)
- (\*\*) Term: **15 Years**
- (21) Appl. No.: **29/629,785**
- (22) Filed: **Dec. 15, 2017**

**Related U.S. Application Data**

- (62) Division of application No. 35/500,934, filed on Nov. 11, 2015 (U.S. filing date under 35 U.S.C. 384), and having an international filing date of Nov. 11, 2015, now Pat. No. Des. 817,240.
- (51) **LOC (12) Cl.** ..... **12-16**
- (52) **U.S. Cl.**  
USPC ..... **D12/191**
- (58) **Field of Classification Search**  
USPC ..... D12/400, 311-312, 106, 181, 183-185,  
D12/191, 471  
CPC ..... B60J 3/02; B60J 3/0208  
See application file for complete search history.

(56) **References Cited**

**U.S. PATENT DOCUMENTS**

D294,495 S *	3/1988	Nissley	.....	296/97.5
D300,919 S *	5/1989	Svensson	.....	D12/191
D338,949 S *	8/1993	Paulin	.....	D23/271
D339,097 S *	9/1993	Nieskes	.....	D12/191
D346,358 S *	4/1994	Peterson	.....	D12/191

D353,568 S *	12/1994	Tong	.....	D12/191
D354,472 S *	1/1995	Tong	.....	D12/191
D356,771 S *	3/1995	White	.....	D12/191
D363,263 S *	10/1995	White	.....	D12/191
D367,634 S *	3/1996	White	.....	D12/191
D392,235 S *	3/1998	Steinhagen	.....	D12/191
D420,360 S *	2/2000	Amron	.....	D12/191
D681,526 S *	5/2013	Santos	.....	D12/191
8,925,995 B2 *	1/2015	Marcus	.....	B60J 3/0208 296/97.8
D764,989 S *	8/2016	Marcus	.....	D12/191
2008/0079012 A1 *	4/2008	Grote	.....	B60Q 1/2696 257/89
2011/0109117 A1 *	5/2011	Marcus	.....	B60J 3/0208 296/97.5
2015/0360605 A1 *	12/2015	Lanser	.....	B60Q 3/0226 362/511
2016/0046175 A1 *	2/2016	Huff	.....	B60J 3/023 362/530
2016/0090032 A1 *	3/2016	Stakoe	.....	B60J 3/0282 362/523

\* cited by examiner

*Primary Examiner* — Michael A. Pratt

(74) *Attorney, Agent, or Firm* — Banner & Witcoff, Ltd.

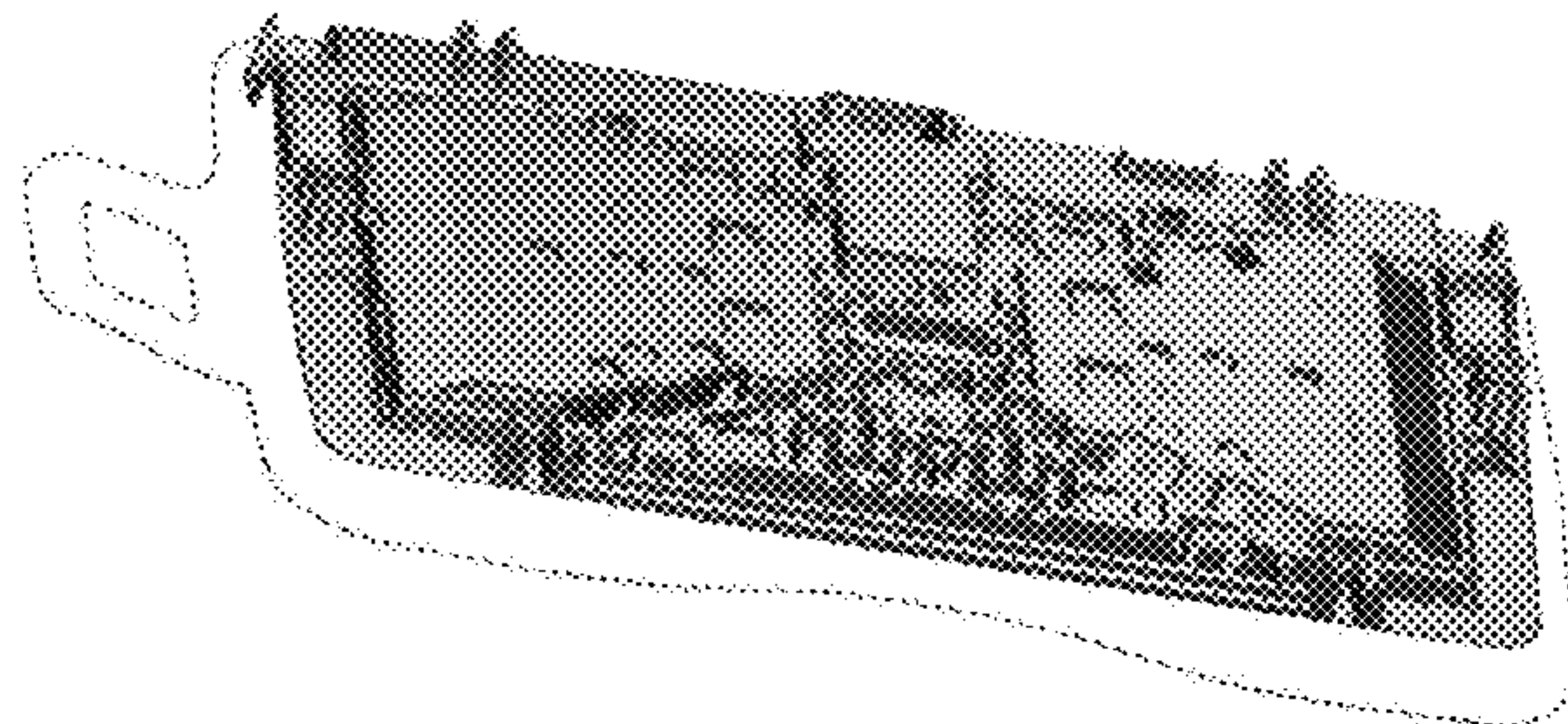
(57) **CLAIM**

The ornamental design for a vanity mirror for vehicles, as shown and described.

**DESCRIPTION**

FIG. 1 is a perspective view of a vanity mirror for vehicles showing our new design;  
 FIG. 2 is a front view thereof;  
 FIG. 3 is a left side view thereof;  
 FIG. 4 is a plan view thereof; and,  
 FIG. 5 is an alternative perspective view thereof.  
 The broken line showing of the various unshaded elements of a vanity mirror for a vehicle represents unclaimed subject matter and forms no part of the claimed design.

**1 Claim, 5 Drawing Sheets**



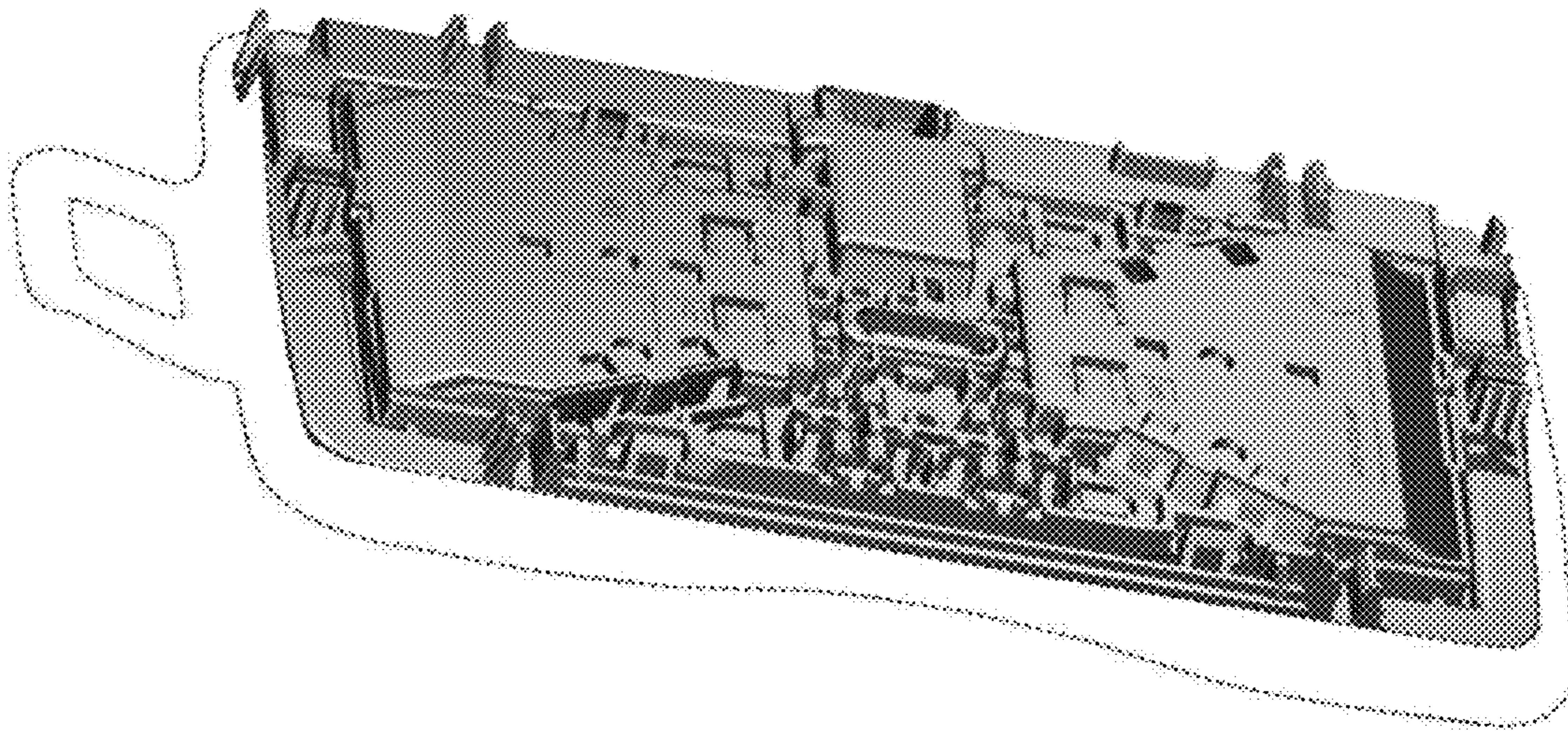


FIG. 1

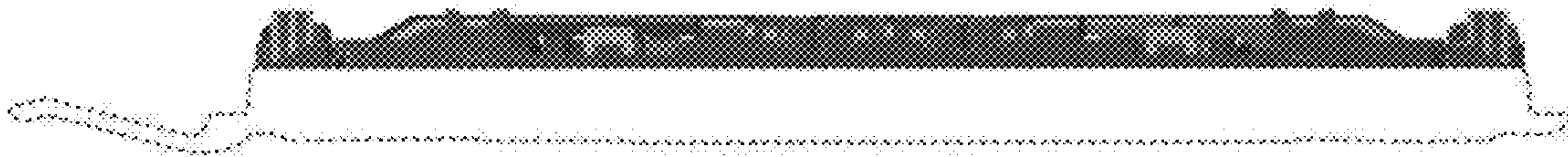


FIG. 2



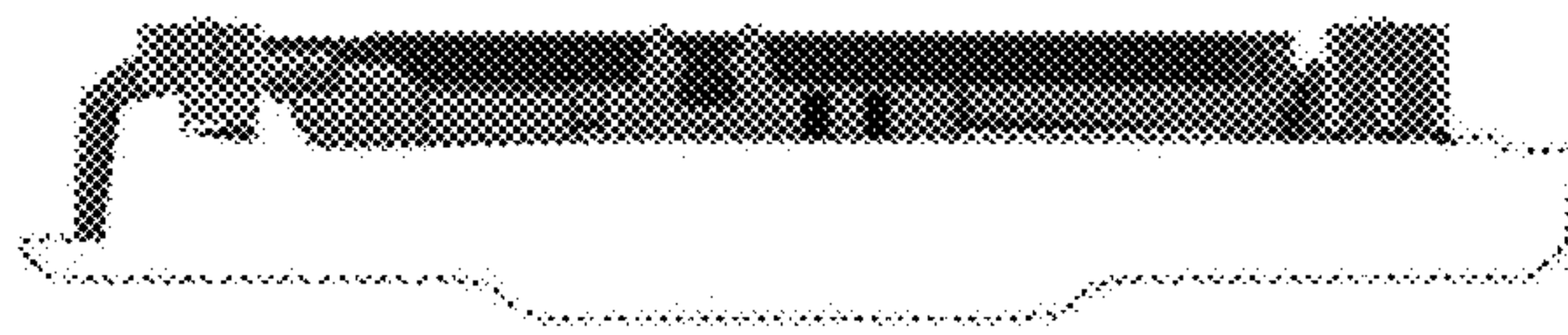


FIG. 3

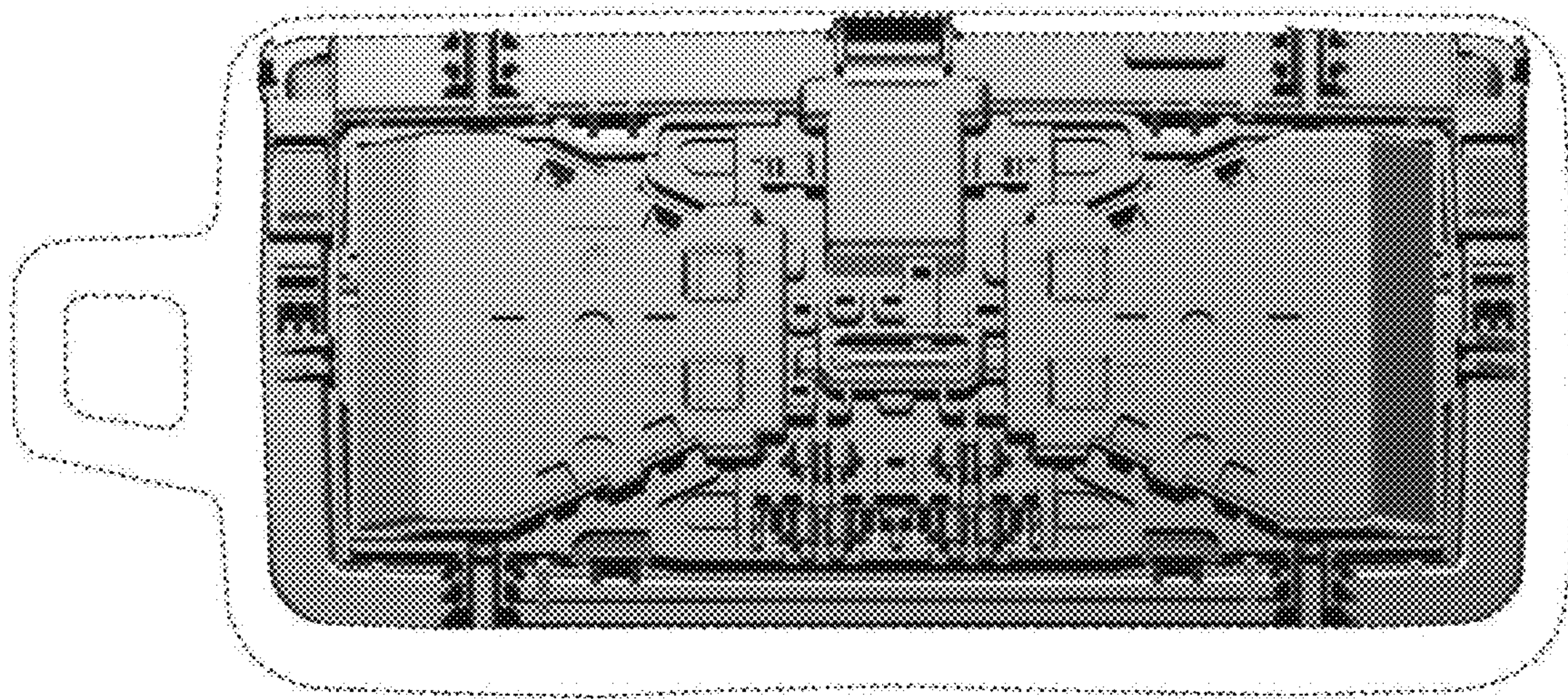


FIG. 4



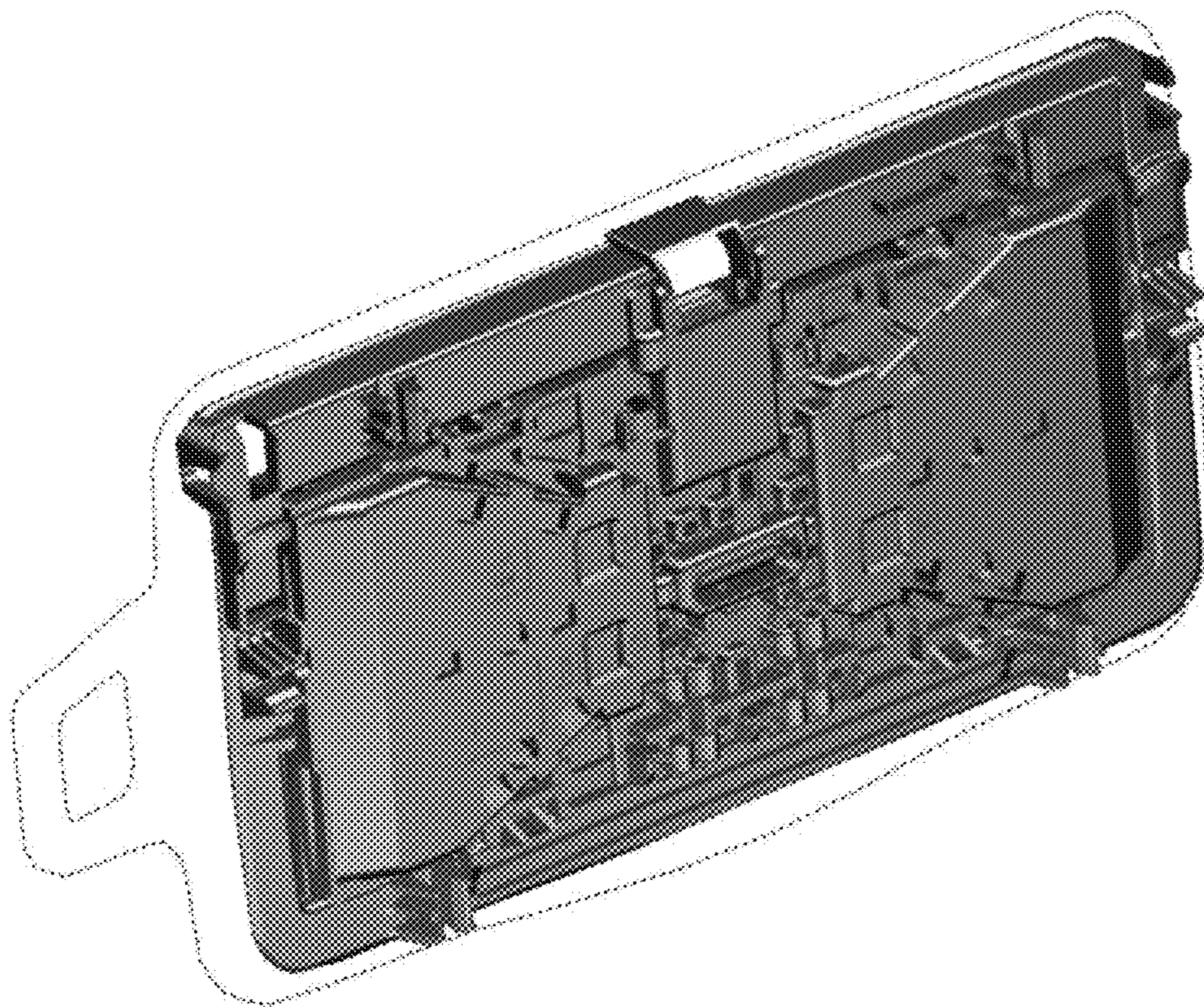


FIG. 5