



US00D864810S

(12) **United States Design Patent** (10) **Patent No.:** **US D864,810 S**  
**Munsell** (45) **Date of Patent:** **\*\* Oct. 29, 2019**

(54) **HOOD SCOOP WITH LED**  
(71) Applicant: **Michael A. Munsell**, Lake Jackson, TX (US)  
(72) Inventor: **Michael A. Munsell**, Lake Jackson, TX (US)  
(\*\*) Term: **15 Years**

(21) Appl. No.: **29/633,613**  
(22) Filed: **Jan. 15, 2018**  
(51) **LOC (12) Cl.** ..... **12-16**  
(52) **U.S. Cl.**  
USPC ..... **D12/181**  
(58) **Field of Classification Search**  
USPC ..... D12/181, 163, 164, 171, 172, 173, 414,  
D12/412, 406, 167, 169, 196, 400, 184,  
D12/190  
CPC ..... B60K 11/08; B60K 13/02; B62D 25/06;  
B62D 25/10; B62D 25/12  
See application file for complete search history.

(56) **References Cited**  
U.S. PATENT DOCUMENTS  
D508,665 S \* 8/2005 Chan ..... D12/173  
D528,482 S \* 9/2006 Hamburger ..... D12/181  
D548,152 S \* 8/2007 Chiang ..... D12/173  
D575,207 S \* 8/2008 Shelby ..... D12/173  
D575,208 S \* 8/2008 Shelby ..... D12/173  
D623,570 S \* 9/2010 Hamburger ..... D12/173

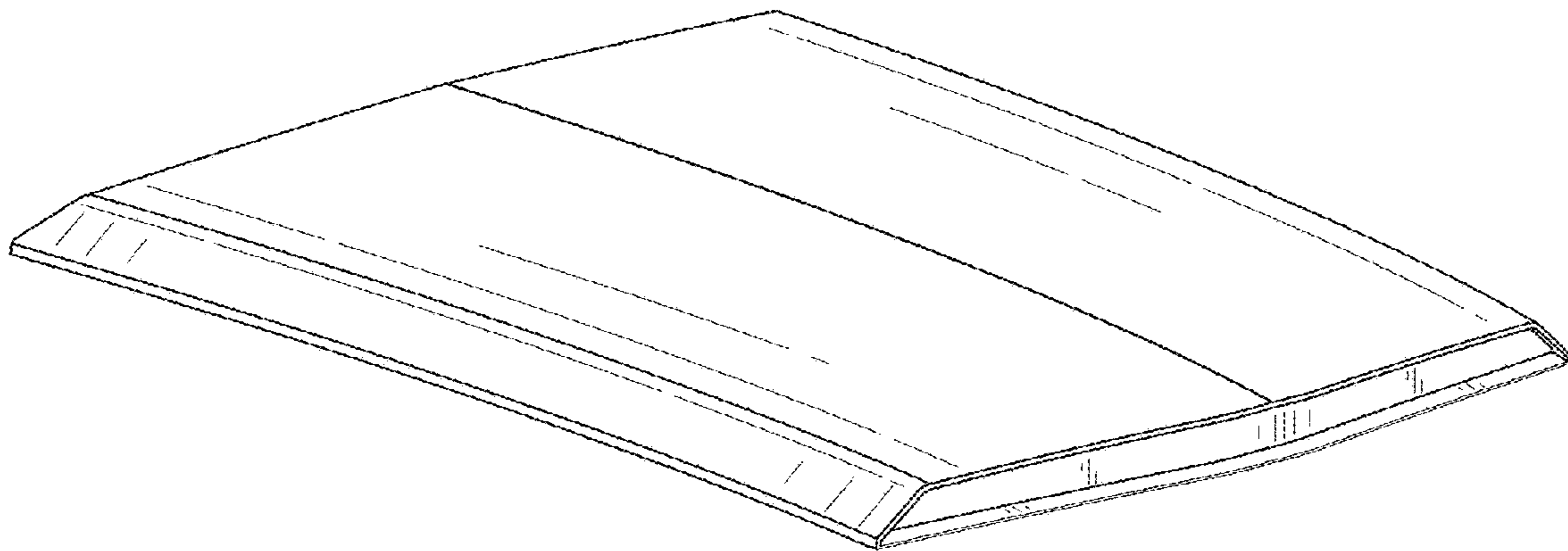
D726,080 S \* 4/2015 Mays ..... D12/173  
D739,317 S \* 9/2015 McMahan ..... D12/173  
D817,236 S \* 5/2018 DiCanzio ..... D12/173  
D826,798 S \* 8/2018 Behmer ..... D12/163  
D835,551 S \* 12/2018 DiCanzio ..... D12/173  
2009/0260906 A1\* 10/2009 Hartland ..... B60K 11/08  
180/68.3  
2018/0170172 A1\* 6/2018 Hanna ..... B60K 13/02

\* cited by examiner  
*Primary Examiner* — Susan E Krakower  
*Assistant Examiner* — Jerry Shiuan-Hua Hsu  
(74) *Attorney, Agent, or Firm* — Dunlap Bennett & Ludwig PLLC

(57) **CLAIM**  
The ornamental design for a hood scoop with LED, as shown and described.

**DESCRIPTION**  
FIG. 1 is a front perspective view of a hood scoop with LED, embodying my new design;  
FIG. 2 is a front elevation view thereof;  
FIG. 3 is a rear elevation view thereof;  
FIG. 4 is a left elevation view thereof, the right elevation view being the mirror image of FIG. 4;  
FIG. 5 is a top plan view thereof; and,  
FIG. 6 is a bottom plan view thereof.  
The broken lines shown in the drawings depict portions of the hood scoop with LED that form no part of the claimed design.

**1 Claim, 5 Drawing Sheets**



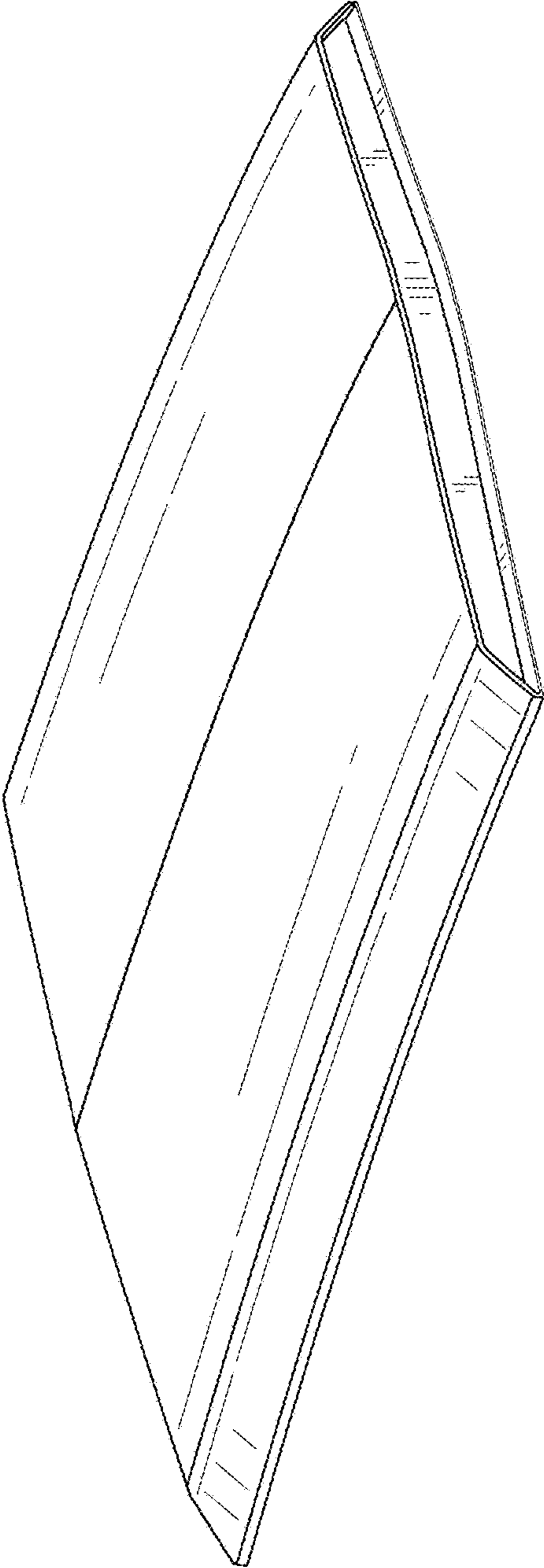


FIG. 1

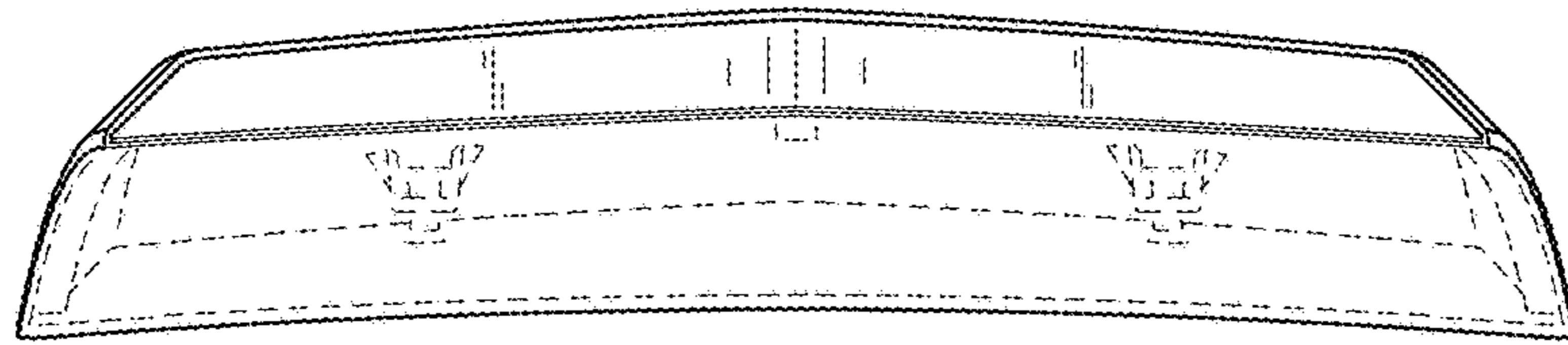


FIG. 2

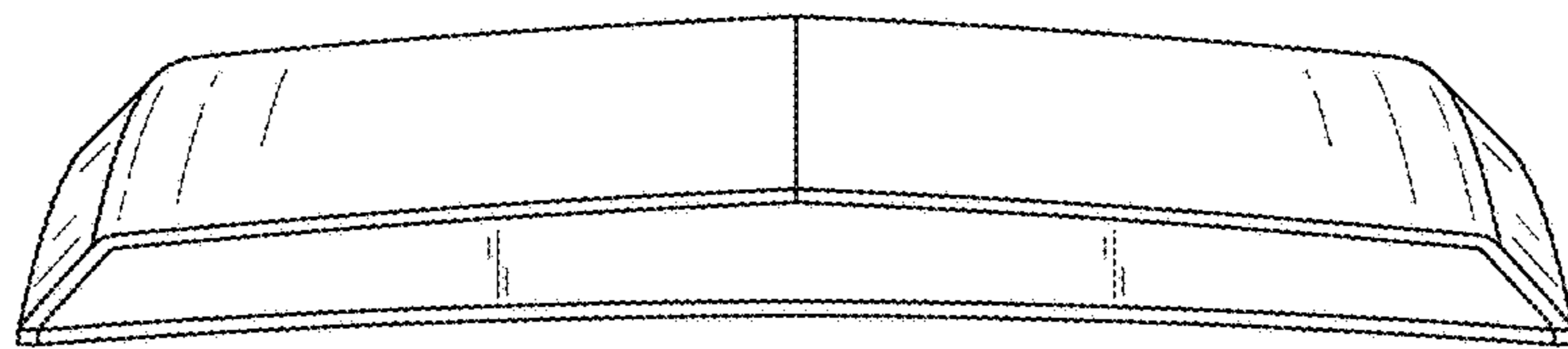


FIG. 3

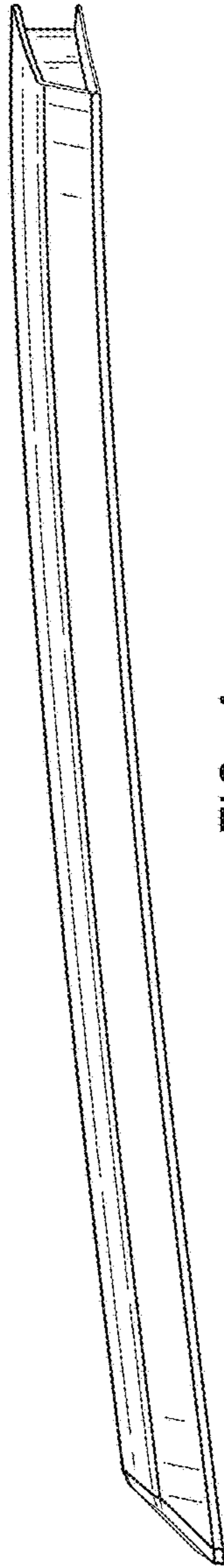


FIG. 4

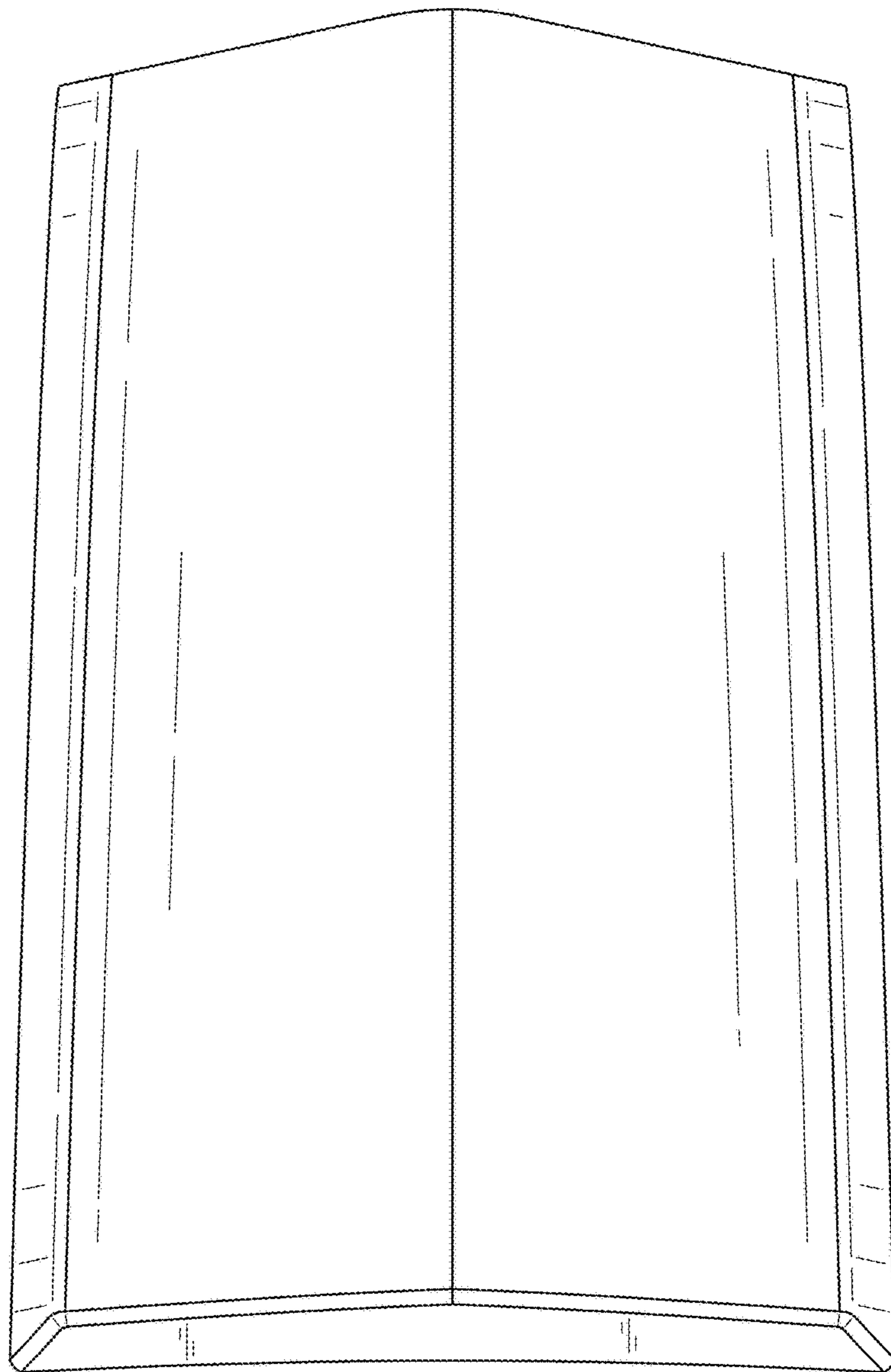


FIG. 5

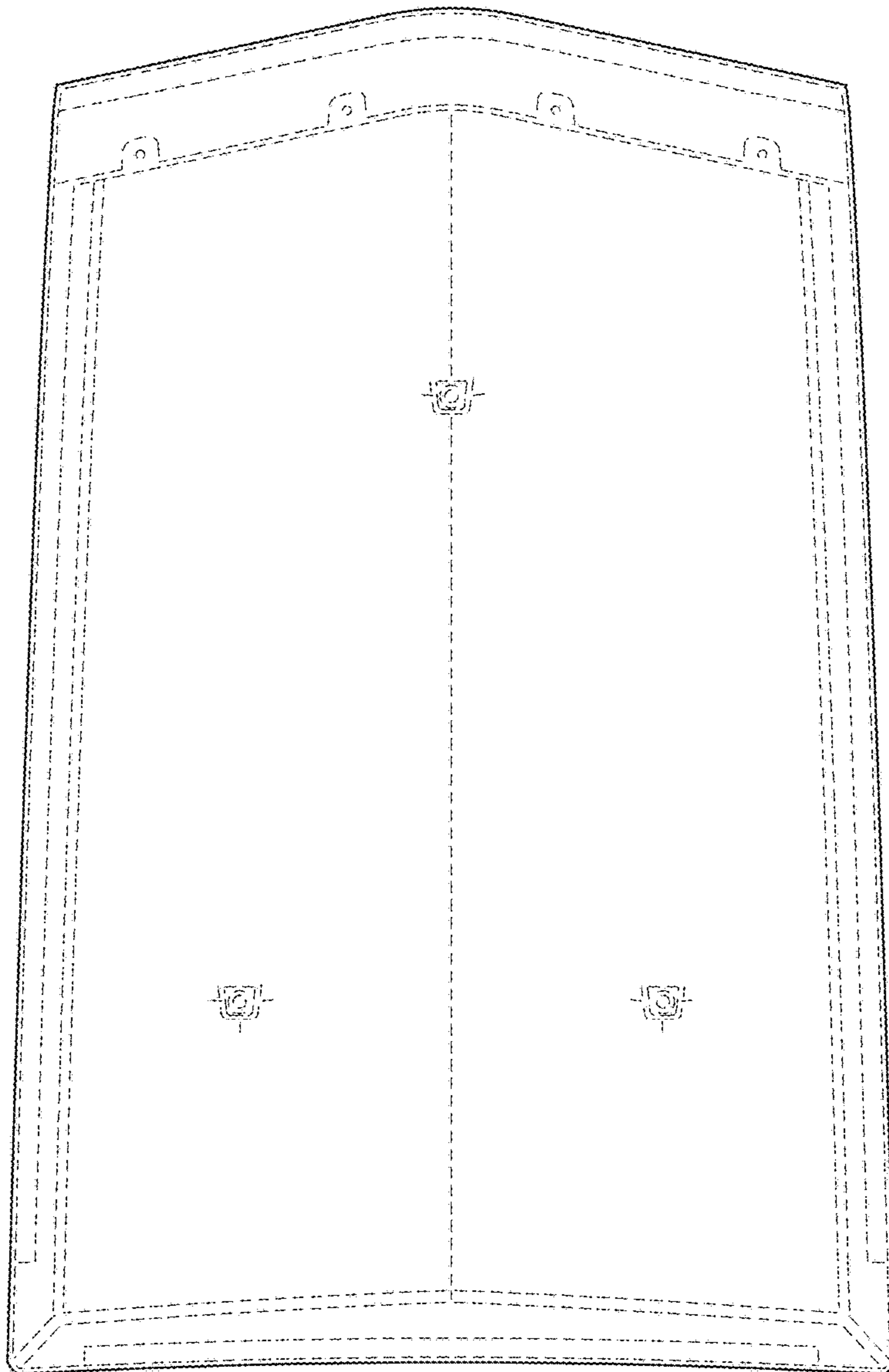


FIG. 6