

US00D864808S

(12) **United States Design Patent**  
**Crippa et al.**

(10) **Patent No.:** **US D864,808 S**

(45) **Date of Patent:** **\*\* Oct. 29, 2019**

(54) **DISC BRAKE CALIPER**  
(71) Applicant: **Freni Brembo S.p.A.**, Curno (IT)  
(72) Inventors: **Cristian Crippa**, Curno (IT); **Lorenzo Nessi**, Curno (IT); **Adriano Bonetti**, Curno (IT)  
(73) Assignee: **Freni Brembo S.p.A.**, Curno, Bergamo (IT)  
(\*\*) Term: **15 Years**

8,376,101 B2 \* 2/2013 Crippa ..... F16D 65/18  
188/370  
9,278,498 B2 \* 3/2016 Collura ..... B32B 3/06  
9,388,870 B2 \* 7/2016 Cesani ..... F16D 65/18  
D790,417 S \* 6/2017 Bertone ..... D12/180  
D805,012 S \* 12/2017 Crippa ..... D12/180  
D812,534 S \* 3/2018 Scheibe ..... D12/180  
D813,125 S \* 3/2018 Crippa ..... D12/180  
D815,000 S \* 4/2018 Igawa ..... D12/180  
D816,002 S \* 4/2018 Crippa ..... D12/180  
10,066,686 B2 \* 9/2018 Huang ..... F16D 55/227  
D837,704 S \* 1/2019 Huang ..... D12/180  
2005/0161290 A1 \* 7/2005 Donadoni ..... F16D 66/021  
188/1.11 L  
2005/0258008 A1 \* 11/2005 King ..... F16D 65/00  
188/264 R

(21) Appl. No.: **29/622,112**

(Continued)

(22) Filed: **Oct. 13, 2017**

Primary Examiner — Kevin K Rudzinski

(30) **Foreign Application Priority Data**

(74) Attorney, Agent, or Firm — Marshall & Melhorn, LLC

Apr. 13, 2017 (IT) ..... 402017000041476

(51) **LOC (12) Cl.** ..... **12-16**

(52) **U.S. Cl.**  
USPC ..... **D12/180**

(58) **Field of Classification Search**  
USPC ..... D12/180  
CPC ..... F16D 55/22  
See application file for complete search history.

(57) **CLAIM**

The ornamental design for a disc brake caliper, as shown and described.

**DESCRIPTION**

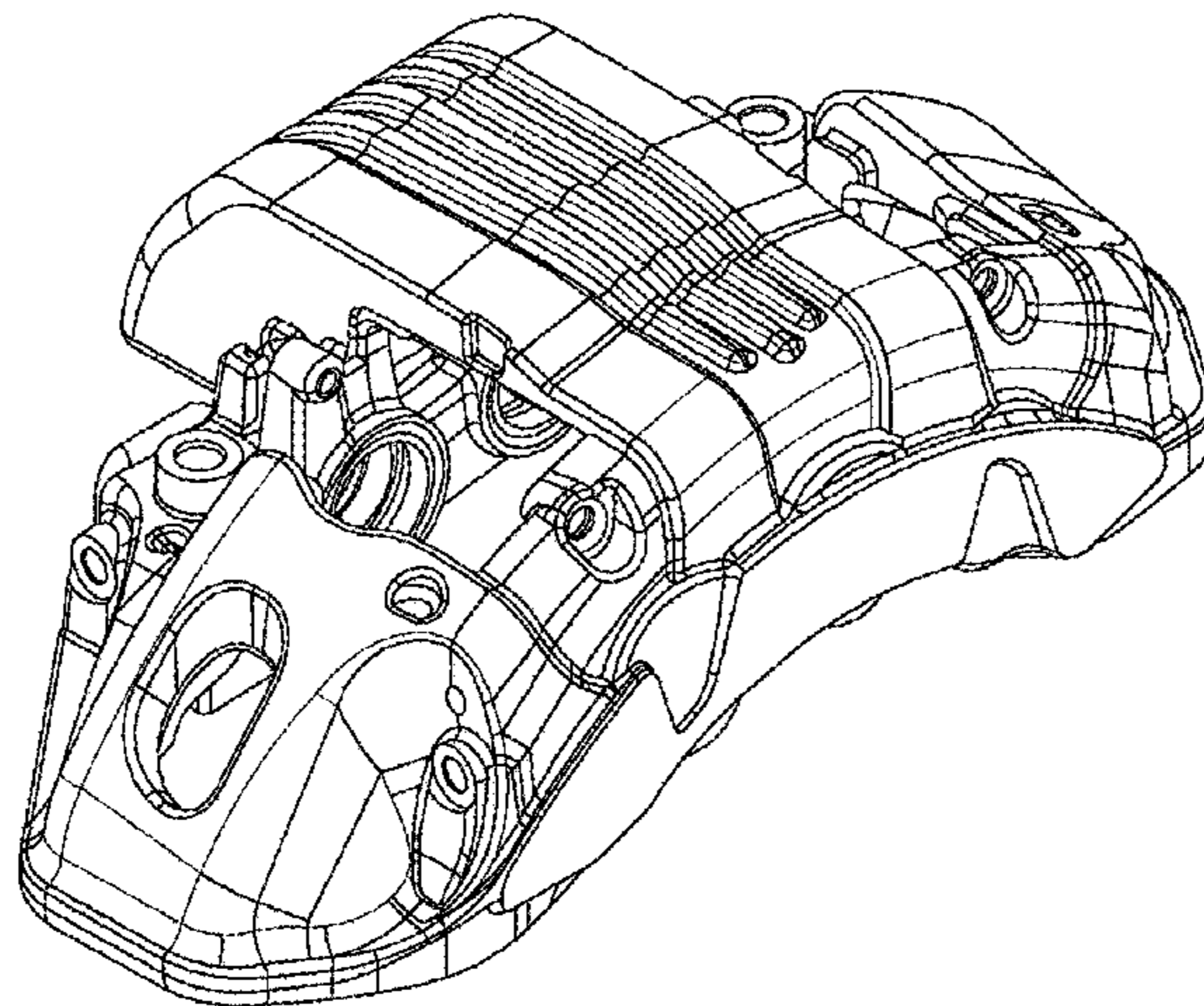
(56) **References Cited**

**U.S. PATENT DOCUMENTS**

D442,900 S \* 5/2001 Separautzki ..... D12/180  
6,708,802 B2 \* 3/2004 Stahl ..... F16D 55/227  
188/71.1  
D506,714 S \* 6/2005 Ono ..... D12/180  
D522,421 S \* 6/2006 Crippa ..... D12/180  
D588,513 S \* 3/2009 Crippa ..... D12/180  
D610,059 S \* 2/2010 Azimonti ..... D12/180  
D619,063 S \* 7/2010 Veneziano ..... D12/180  
D642,100 S \* 7/2011 Crippa ..... D12/180  
8,276,718 B2 \* 10/2012 Bach ..... F16D 55/226  
188/71.1

FIG. 1 is a front perspective view showing our new disc brake caliper;  
FIG. 2 is a rear perspective view showing our new disc brake caliper;  
FIG. 3 is an end elevation view of our new disc brake caliper;  
FIG. 4 is an end elevation view of our new disc brake caliper from an end opposite that of FIG. 3;  
FIG. 5 is a side elevation view of our new disc brake caliper;  
FIG. 6 is a side elevation view of our new disc brake caliper from a side opposite that of FIG. 5;  
FIG. 7 is a bottom plan view of our new disc brake caliper;  
and,  
FIG. 8 is a top plan view of our new disc brake caliper.

**1 Claim, 8 Drawing Sheets**



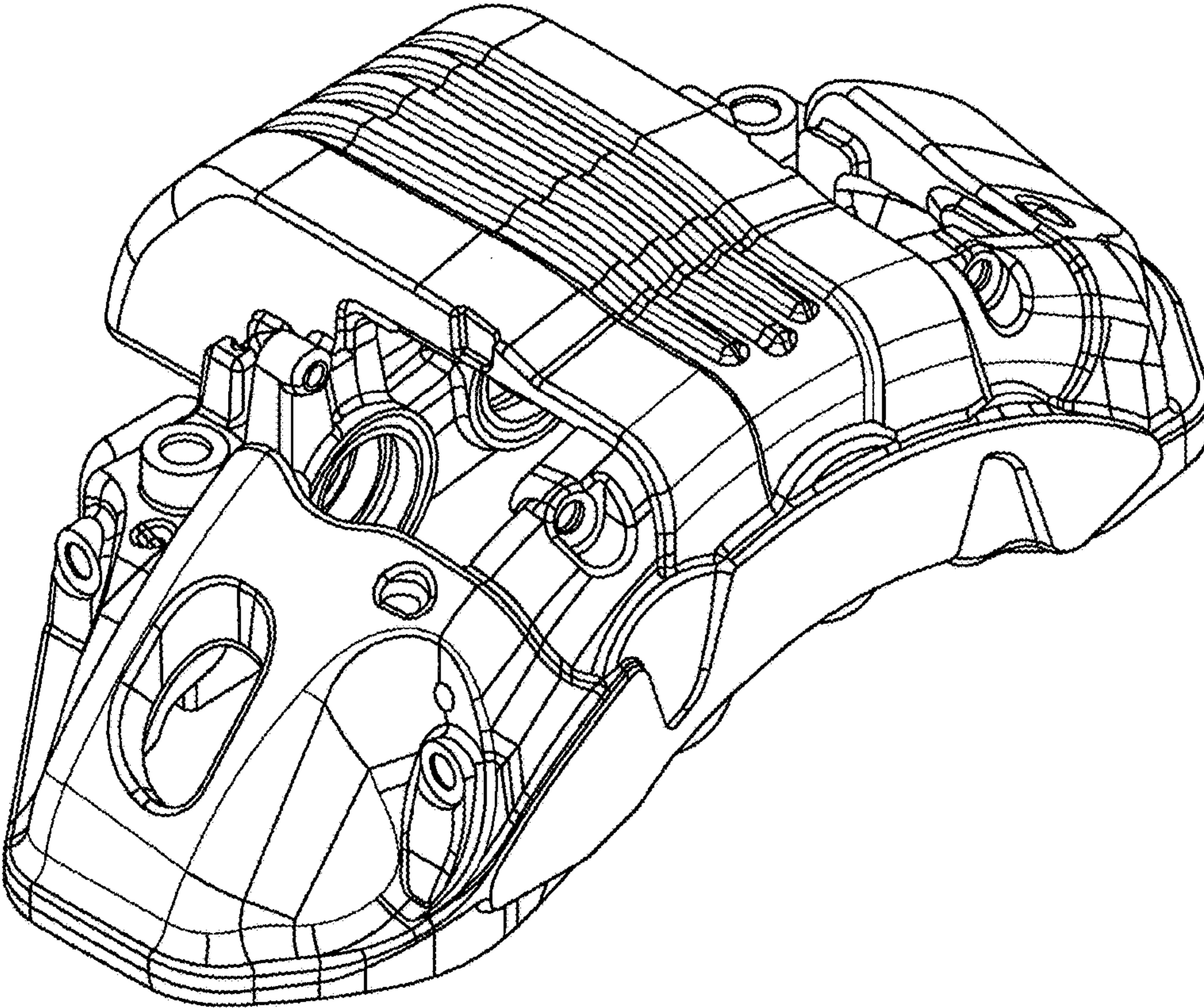
(56)

**References Cited**

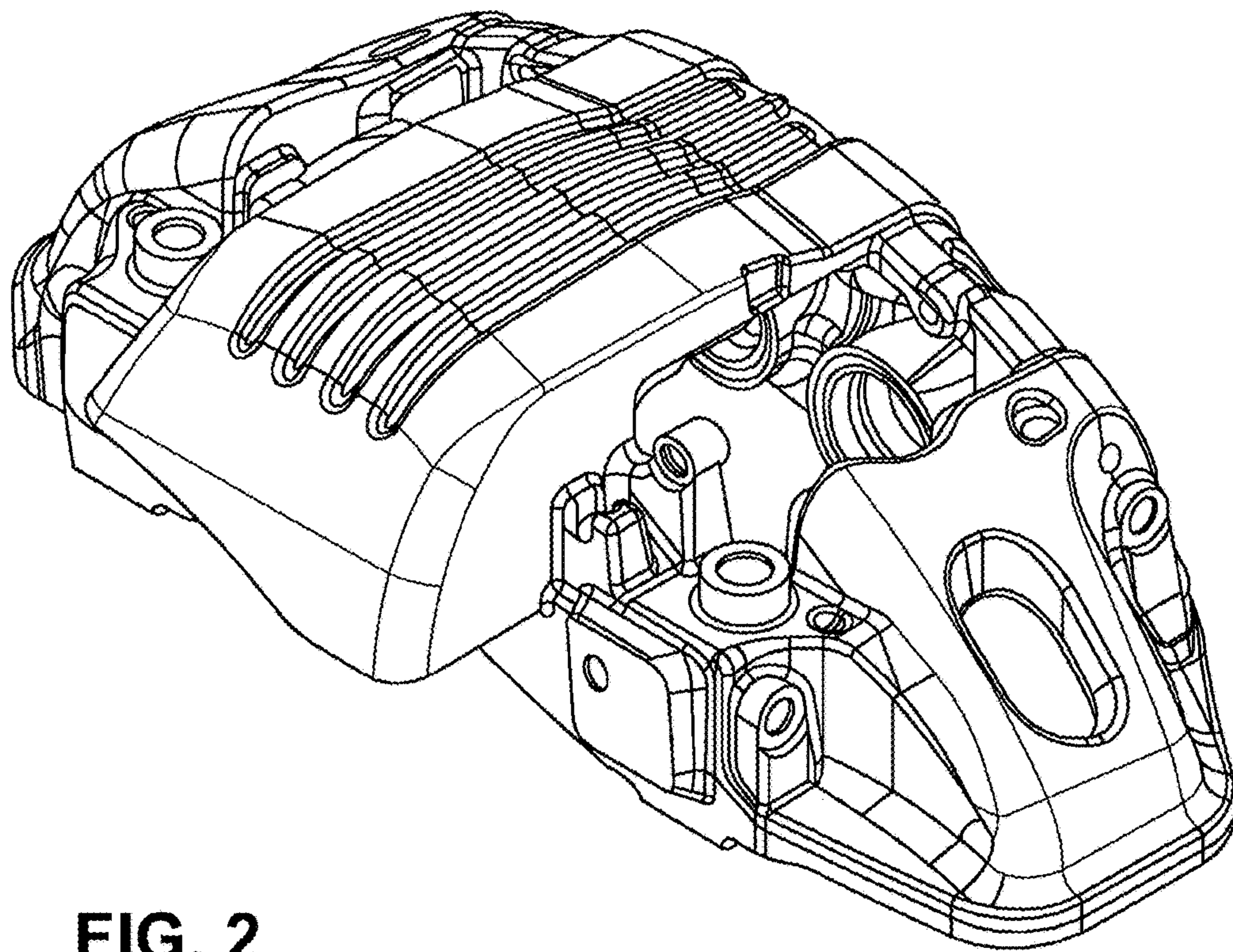
U.S. PATENT DOCUMENTS

2007/0278049 A1\* 12/2007 Kobayashi ..... F16D 55/228  
188/73.39  
2013/0213747 A1\* 8/2013 Scotti ..... F16D 55/228  
188/73.31  
2015/0021124 A1\* 1/2015 Preda ..... F16D 55/228  
188/71.6  
2015/0021125 A1\* 1/2015 Nessi ..... F16D 55/228  
188/72.5  
2015/0027821 A1\* 1/2015 Nessi ..... F16D 55/224  
188/72.3  
2015/0027822 A1\* 1/2015 Cerutti ..... F16D 55/228  
188/73.47  
2017/0037916 A1\* 2/2017 Crippa ..... F16D 65/0977

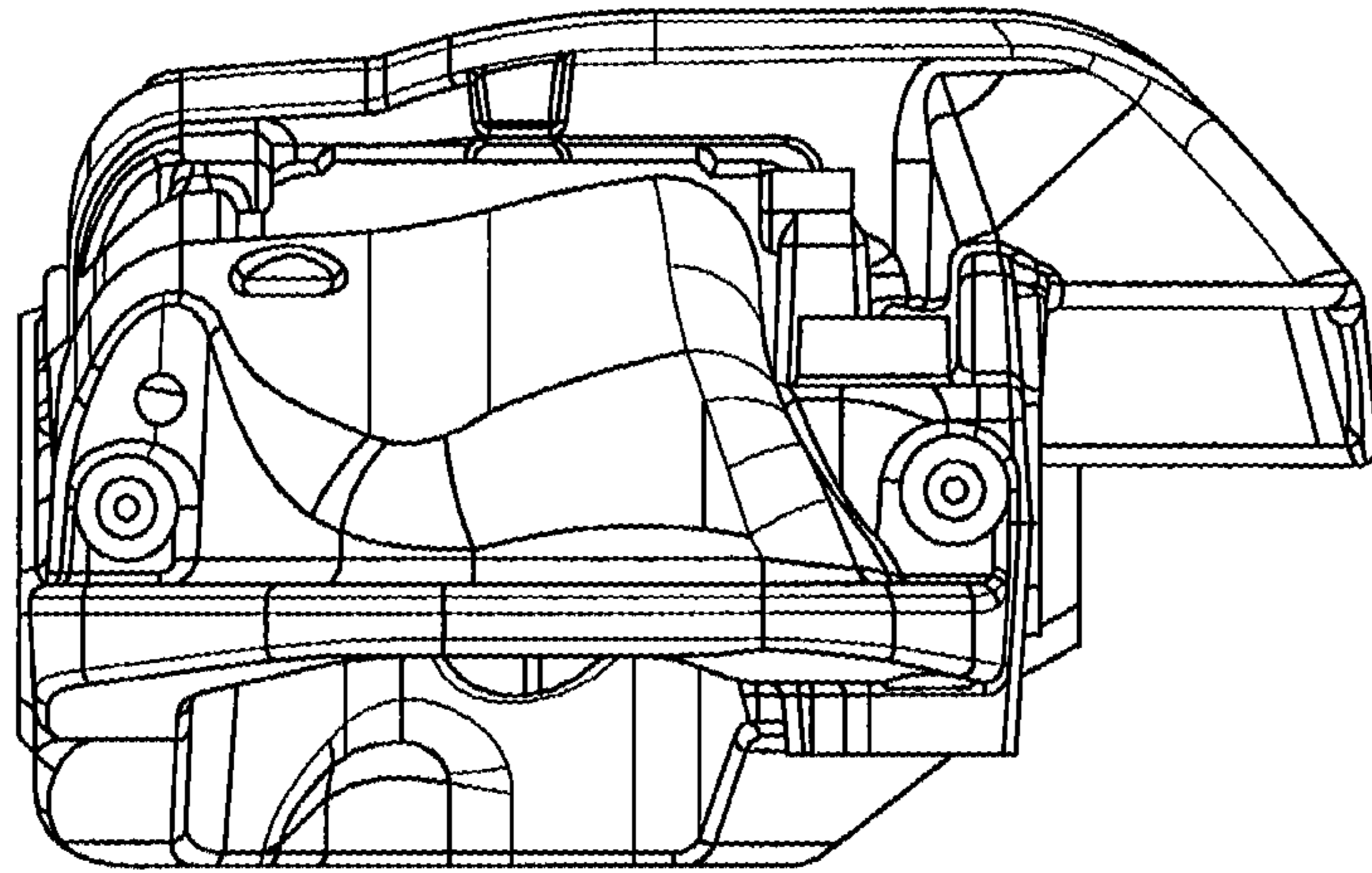
\* cited by examiner



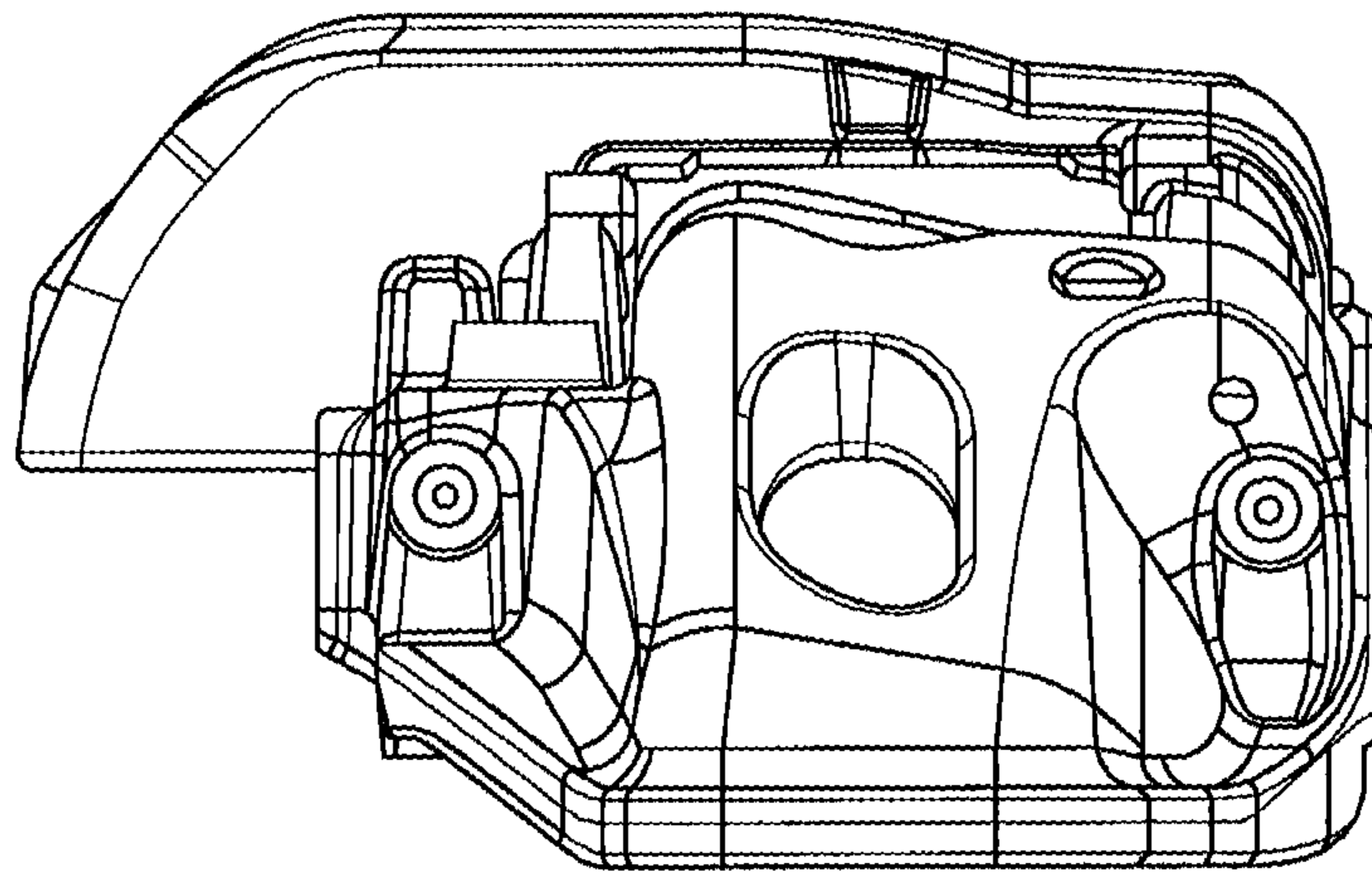
**FIG. 1**



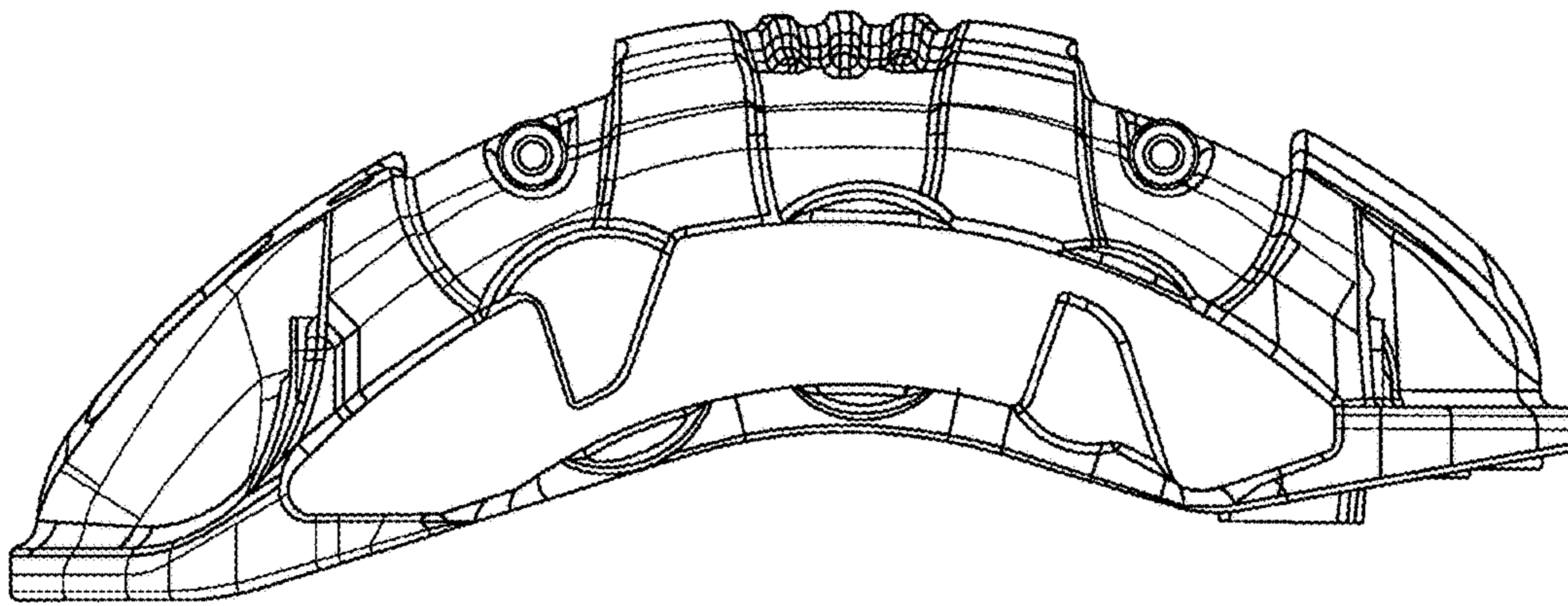
**FIG. 2**



**FIG. 3**



**FIG. 4**



**FIG. 5**

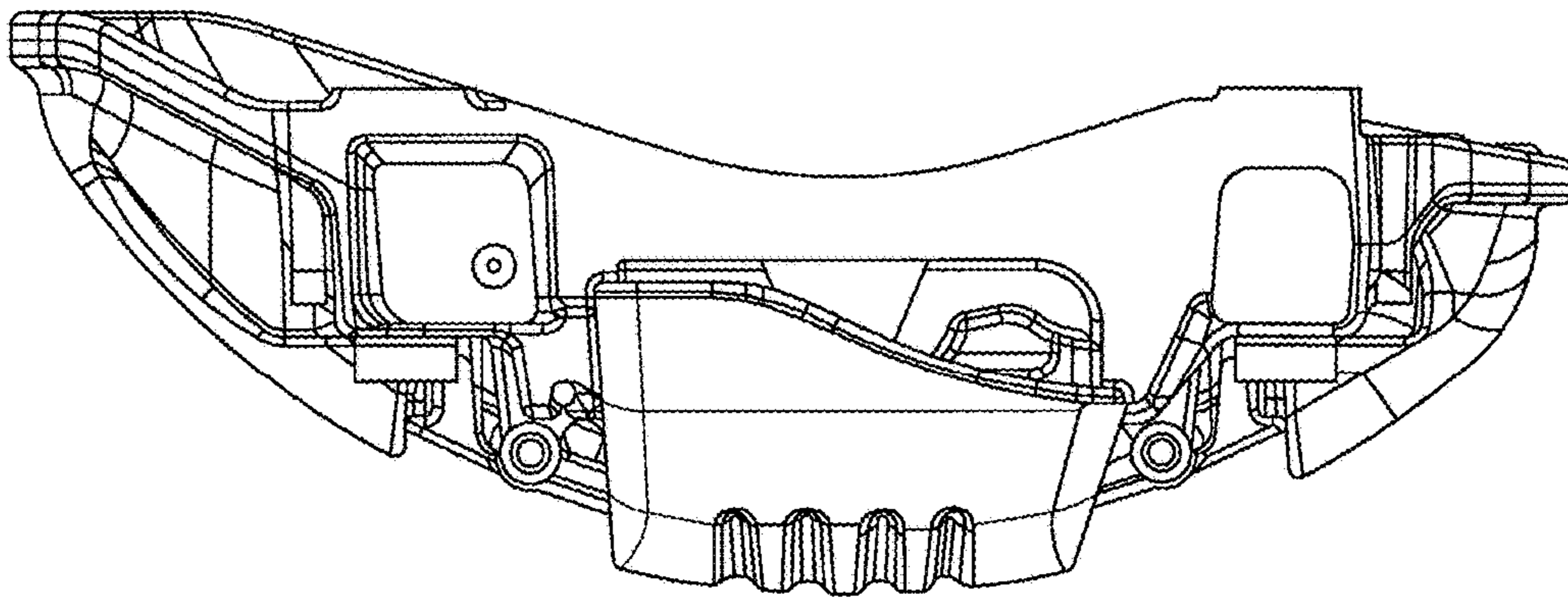


FIG. 6



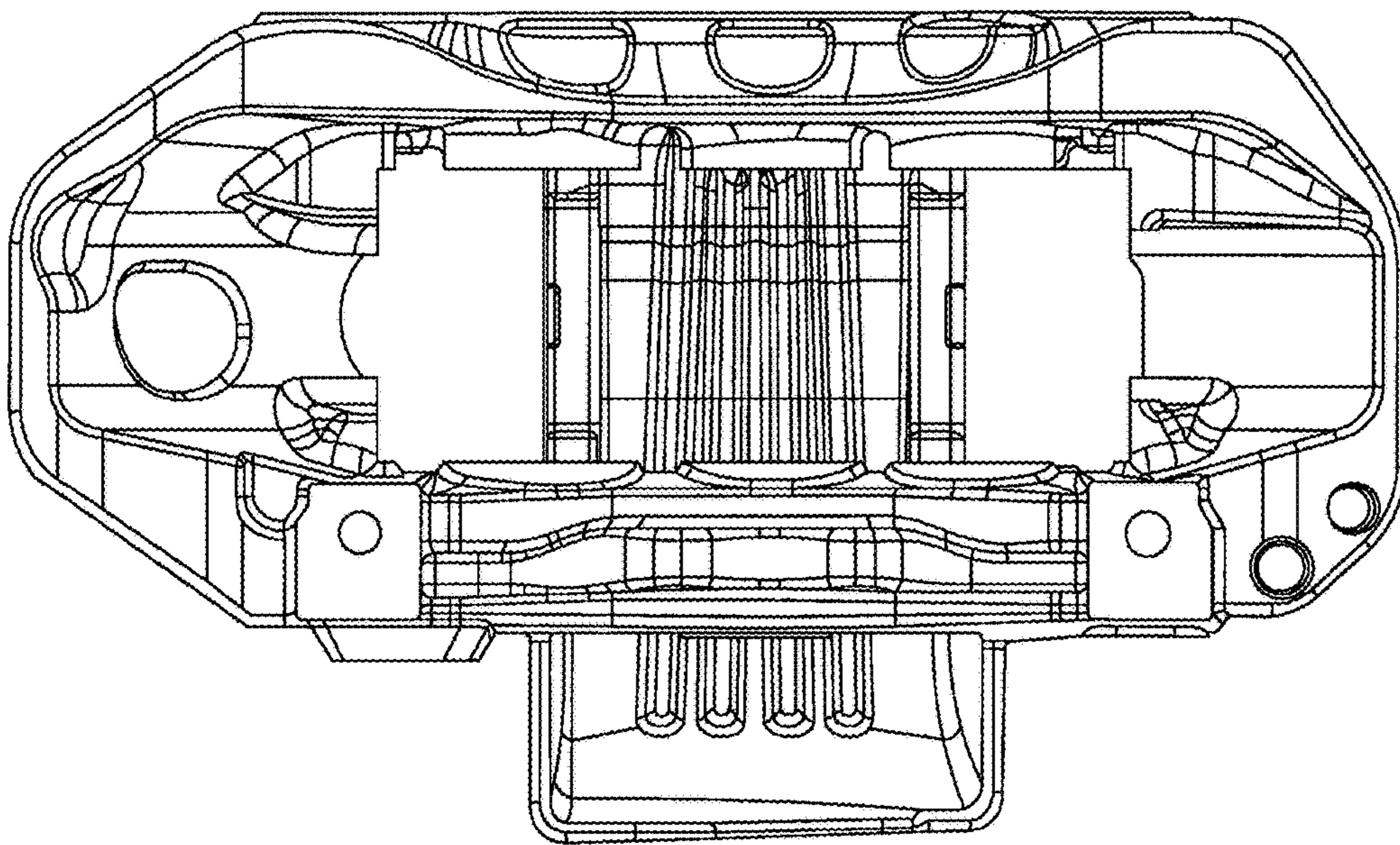


FIG. 7

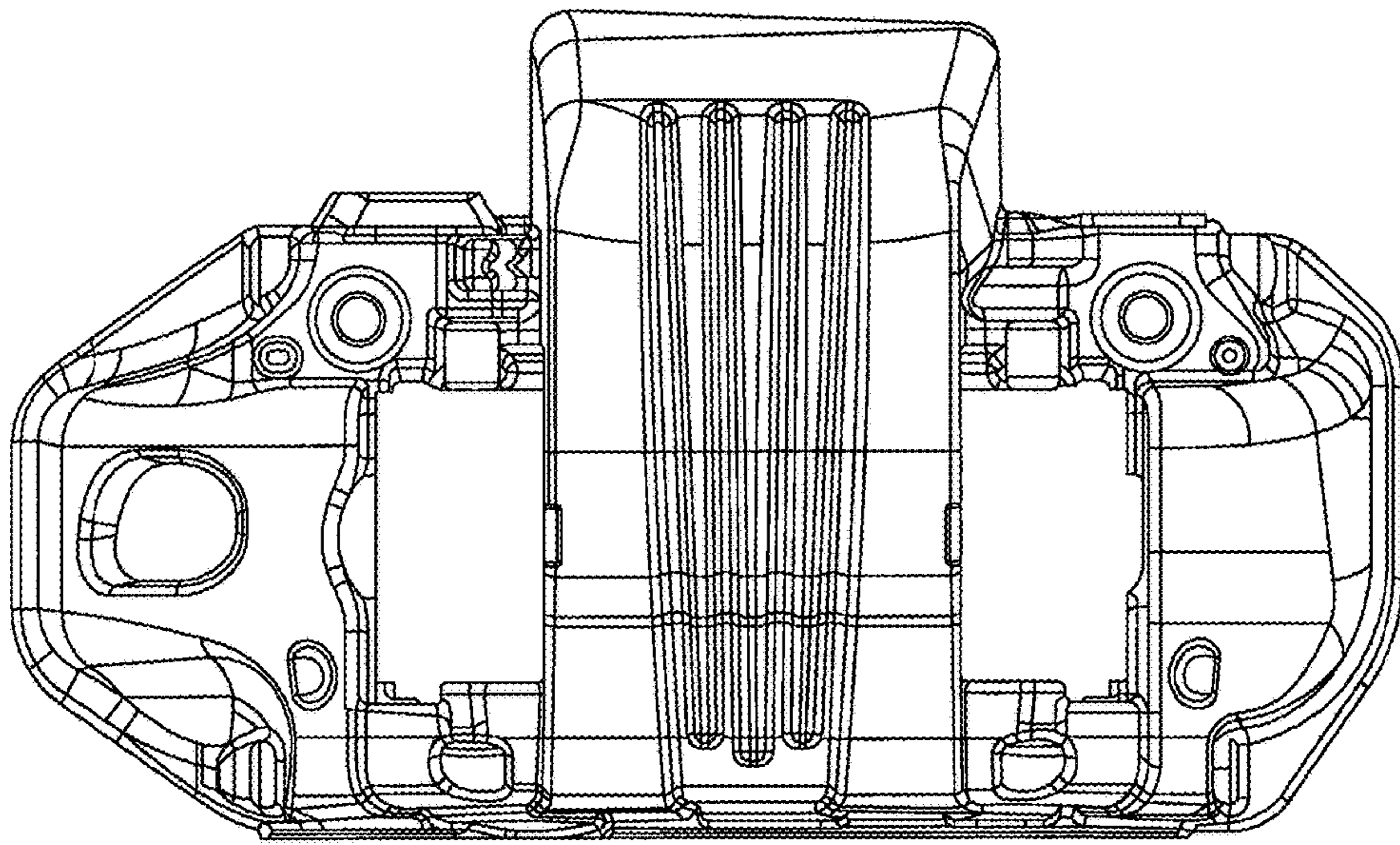


FIG. 8