



US00D864805S

(12) **United States Design Patent** (10) **Patent No.:** **US D864,805 S**
Owens et al. (45) **Date of Patent:** **** Oct. 29, 2019**

(54) **LOWER FRONT BUMPER COVER**

(71) Applicants: **John S. Owens**, Pleasant Ridge, MI (US); **Irina Zavatski**, Rochester Hills, MI (US)

(72) Inventors: **John S. Owens**, Pleasant Ridge, MI (US); **Irina Zavatski**, Rochester Hills, MI (US)

(73) Assignee: **FCA US LLC**, Auburn Hills, MI (US)

(**) Term: **15 Years**

(21) Appl. No.: **29/684,108**

(22) Filed: **Mar. 19, 2019**

Related U.S. Application Data

(63) Continuation-in-part of application No. 29/634,829, filed on Jan. 25, 2018, now Pat. No. Des. 847,025.

(51) **LOC (12) Cl.** **12-16**

(52) **U.S. Cl.**
USPC **D12/169**

(58) **Field of Classification Search**
USPC D12/169, 164, 196, 171, 163, 86, 90-92; 293/102, 113, 115, 117, 120; 296/180.1, 296/180.2
CPC B60R 19/02; B60R 19/04; B62D 25/08
See application file for complete search history.

(56) **References Cited**

U.S. PATENT DOCUMENTS

D668,593 S * 10/2012 Imai D12/169
D680,041 S * 4/2013 Frei D12/169

D680,478 S * 4/2013 Munakata D12/169
D683,284 S * 5/2013 Yoshida D12/169
D688,987 S * 9/2013 Hildebrand D12/163
D701,800 S * 4/2014 Campbell D12/169
D739,315 S * 9/2015 Blanski D12/169
D816,559 S * 5/2018 McMahan D12/169
D822,551 S * 7/2018 McMahan D12/169
D844,507 S * 4/2019 Wada D12/169
D850,998 S * 6/2019 Woodhouse D12/169

* cited by examiner

Primary Examiner — Melody N Brown

(74) *Attorney, Agent, or Firm* — Ralph E. Smith

(57) **CLAIM**

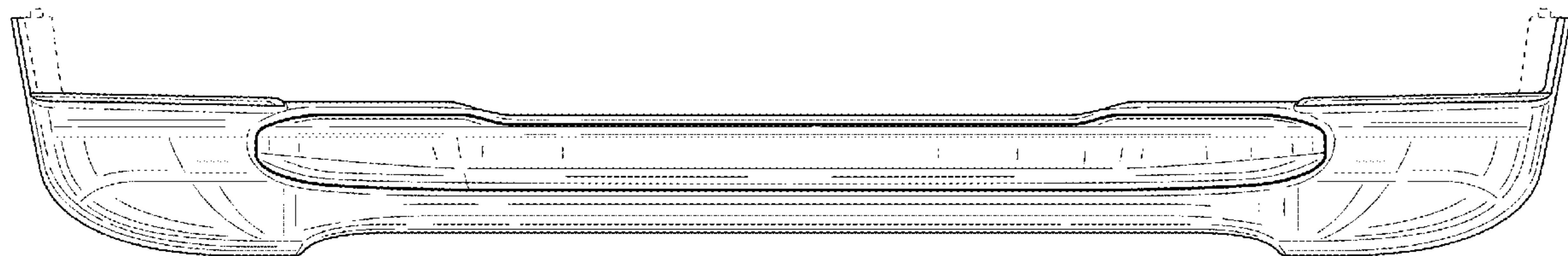
The ornamental design for a lower front bumper cover, as shown and described.

DESCRIPTION

FIG. 1 is a front perspective view of a lower front bumper cover showing our new design;
FIG. 2 is a top view thereof;
FIG. 3 is a bottom plan view thereof;
FIG. 4 is a front view thereof;
FIG. 5 is a rear view thereof;
FIG. 6 is a right side view thereof; and,
FIG. 7 is a left side view thereof.

It will be understood that the broken lines shown in the drawings illustrate portions of the lower front bumper cover that form no part of the claimed design.

1 Claim, 6 Drawing Sheets



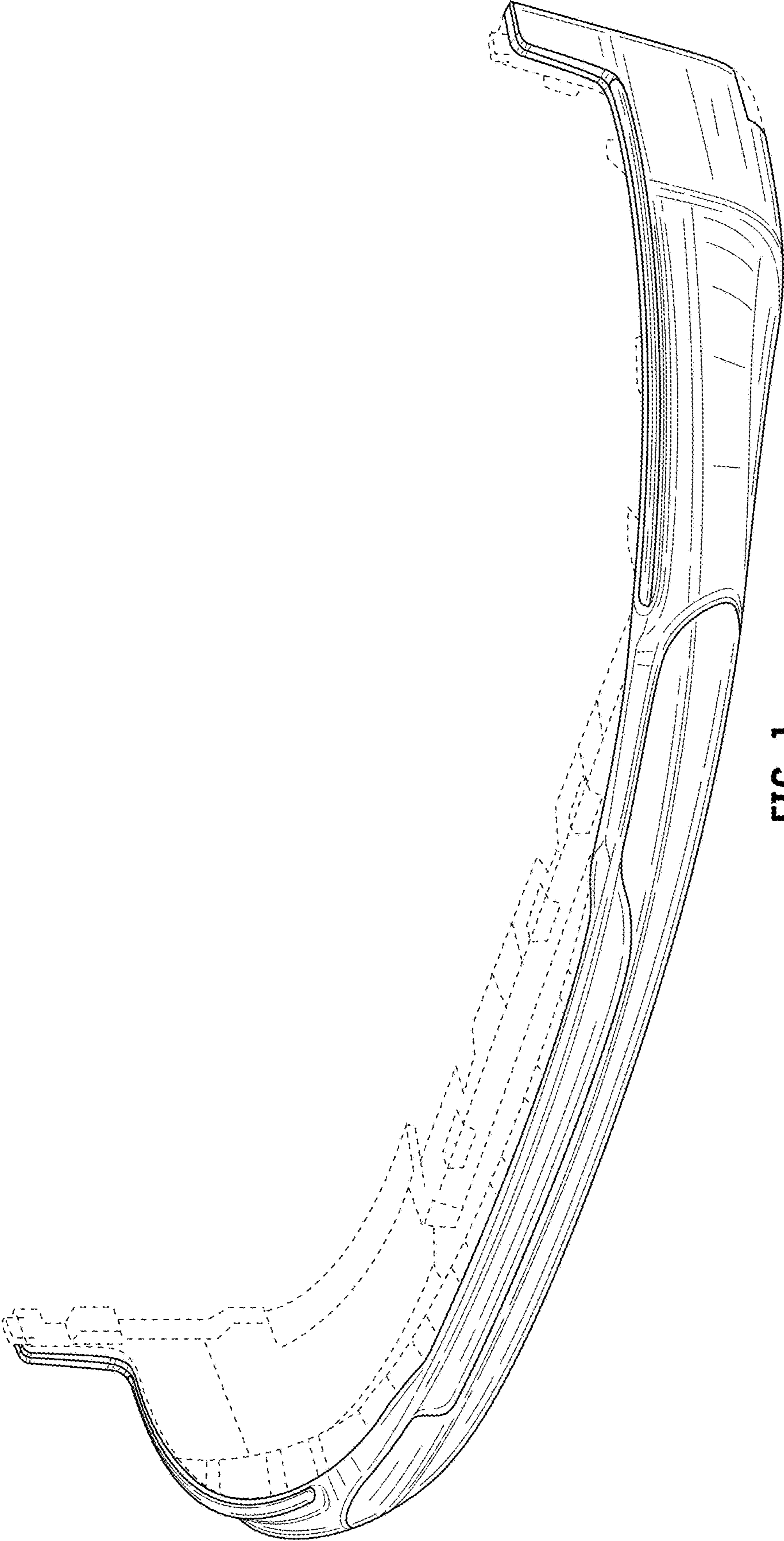


FIG. 1

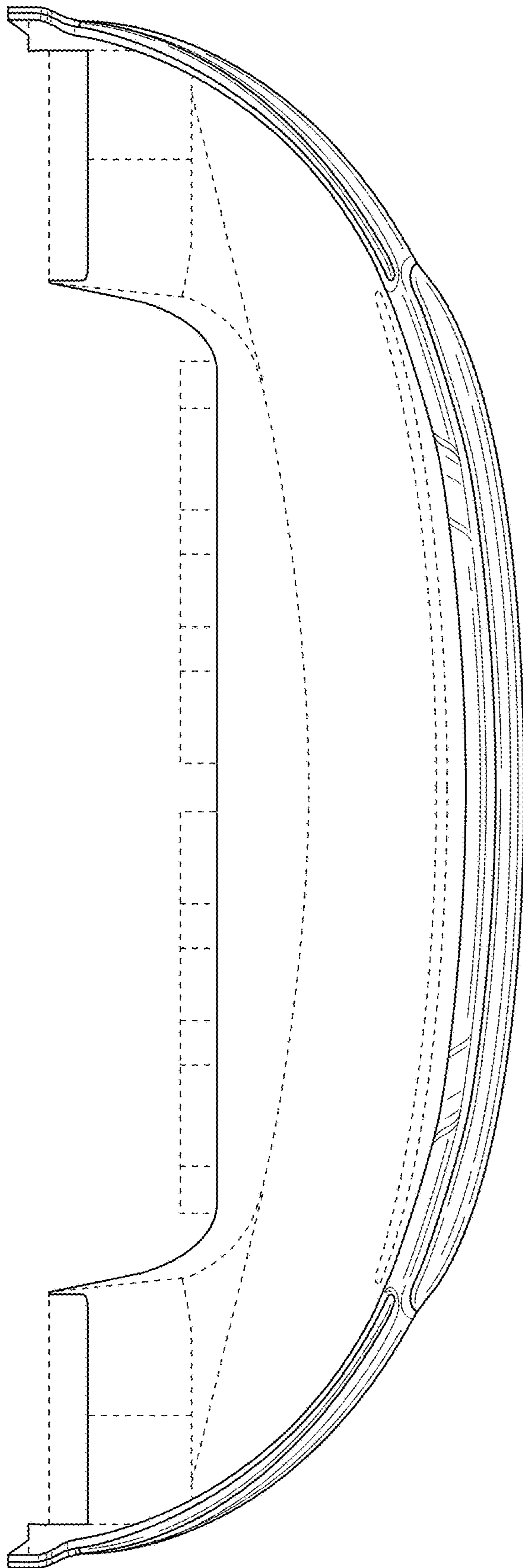


FIG. 2

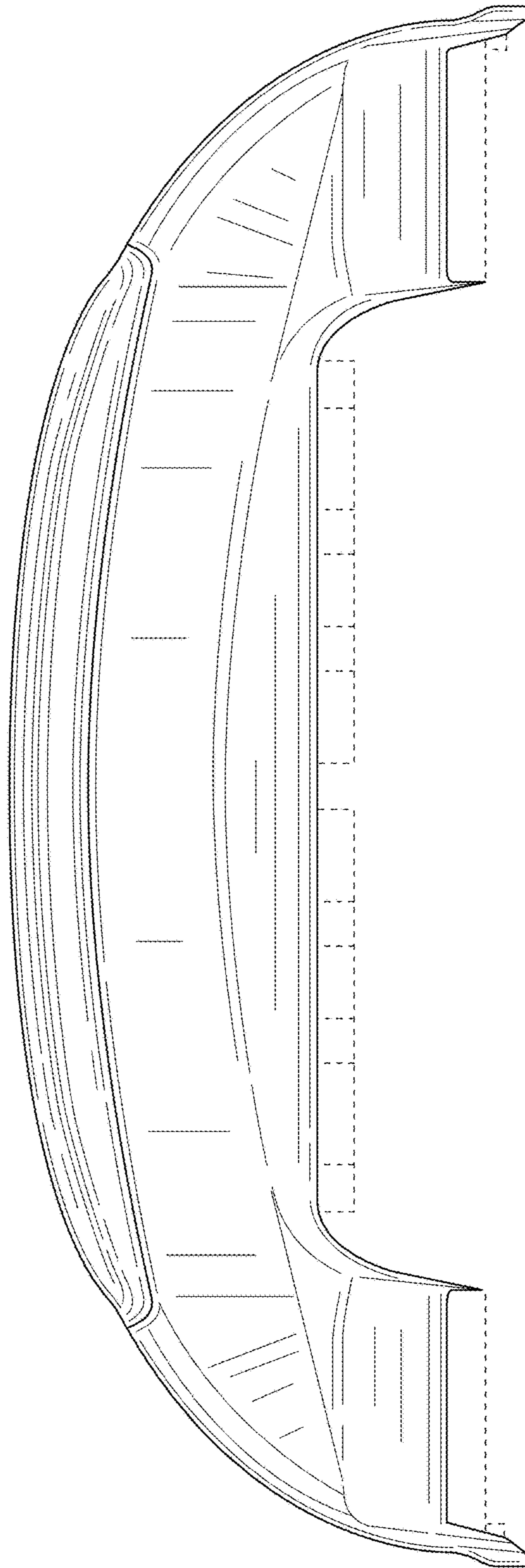


FIG. 3

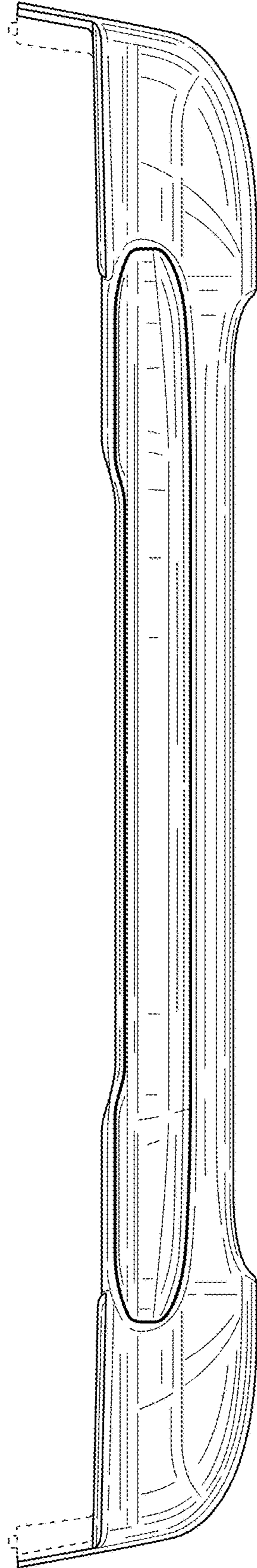


FIG. 4

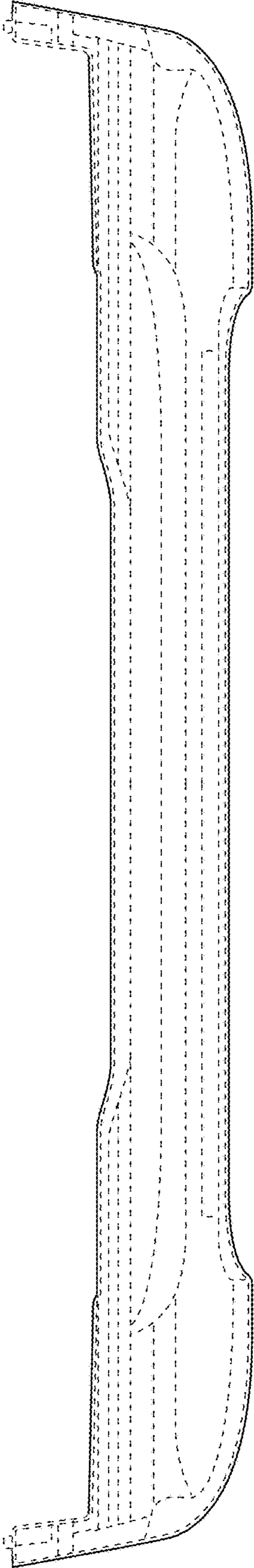


FIG. 5

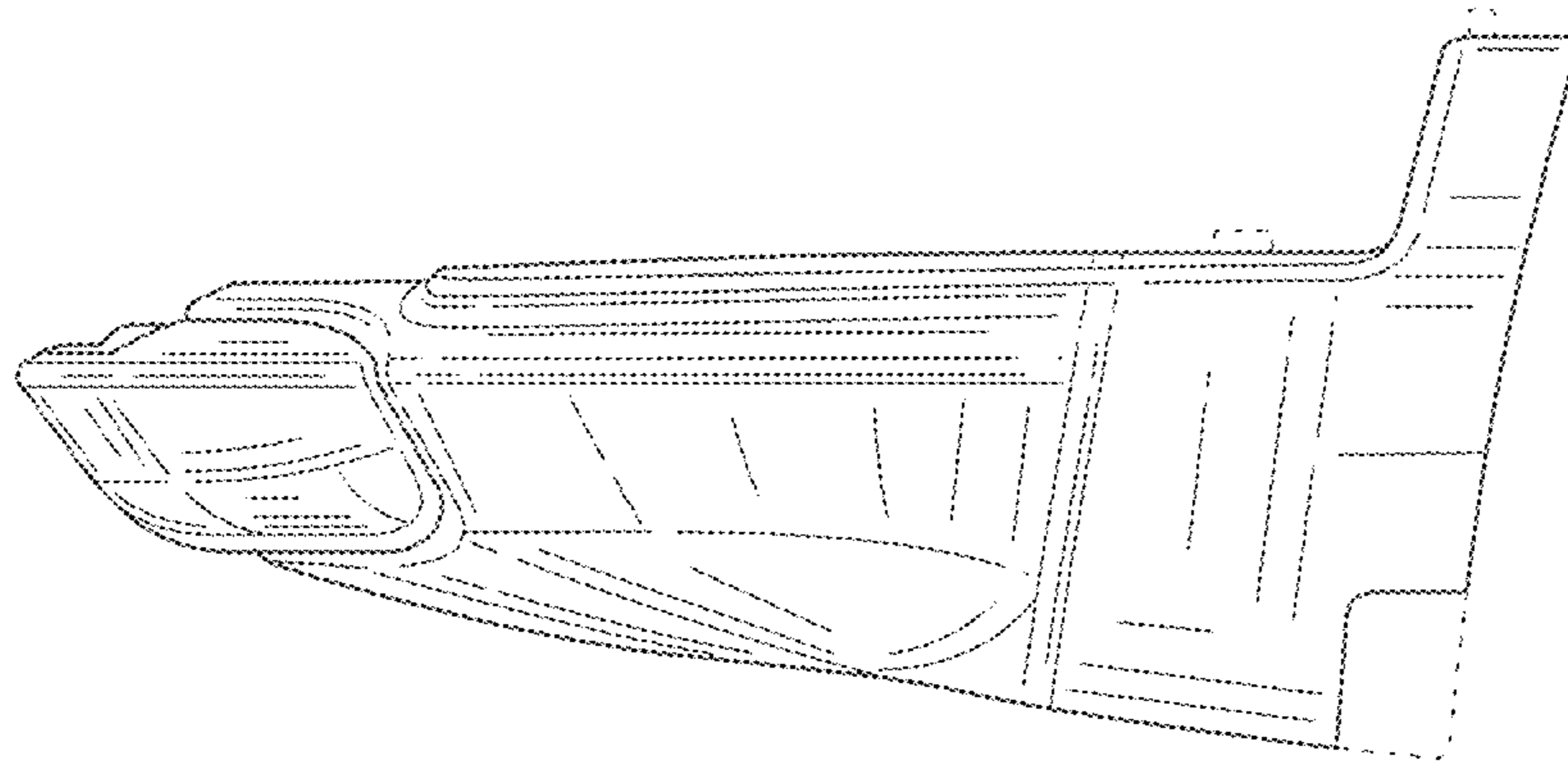


FIG. 6

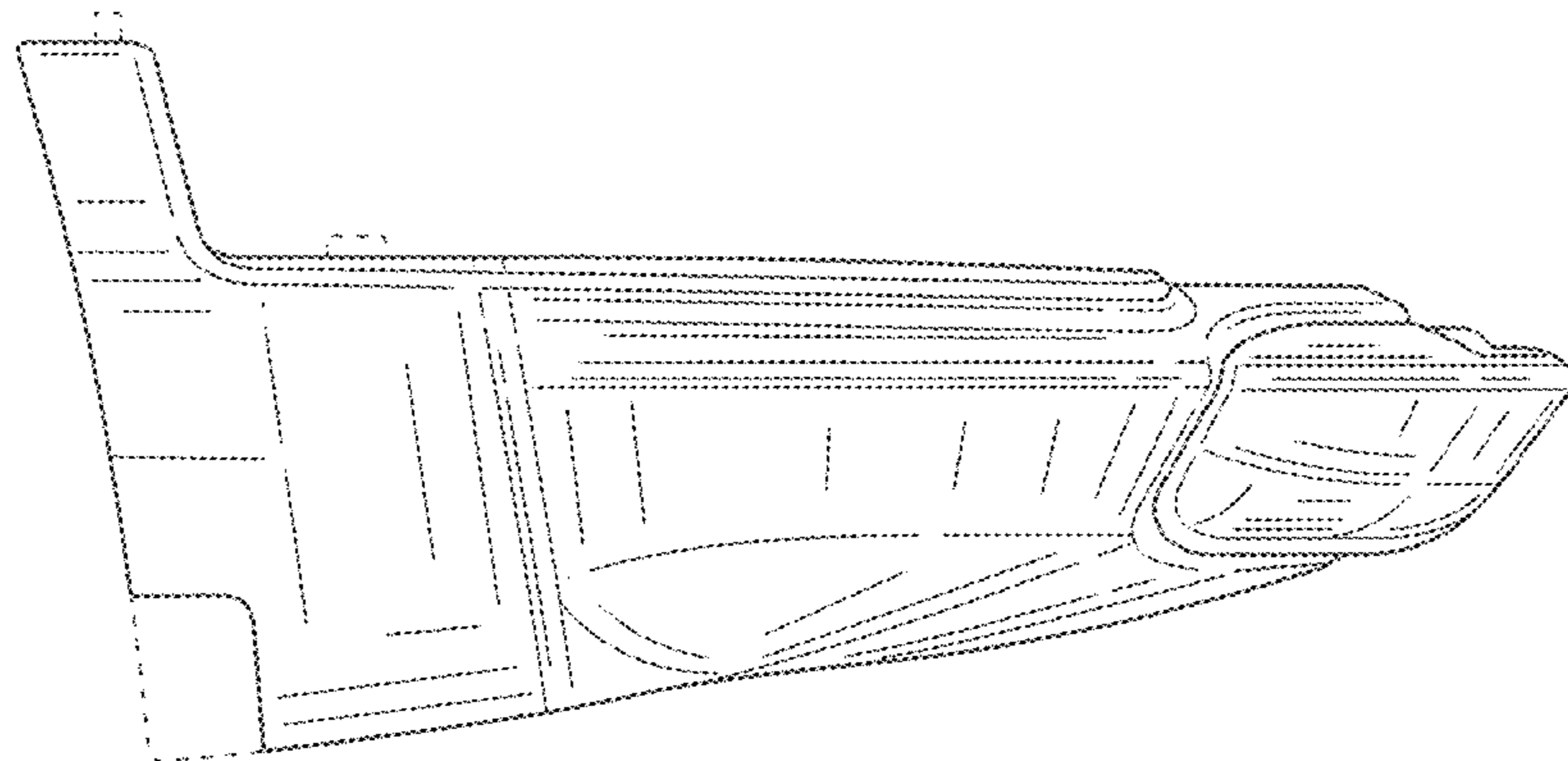


FIG. 7