

US00D864804S

(12) **United States Design Patent**
Grewer

(10) **Patent No.:** **US D864,804 S**

(45) **Date of Patent:** **** Oct. 29, 2019**

(54) **FRONT BUMPER FOR A VEHICLE**

D734,230 S * 7/2015 Wheel D12/196
9,199,293 B2 * 12/2015 Joyce B21D 11/10
D746,722 S * 1/2016 Henstridge D12/91

(Continued)

(71) Applicant: **Jaguar Land Rover Limited**, Whitley,
Coventry (GB)

Primary Examiner — Susan Bennett Hattan

(72) Inventor: **Dale Grewer**, Coventry (GB)

Assistant Examiner — Suzanne E Tisdell

(73) Assignee: **Jaguar Land Rover Limited**, Whitley,
Coventry (GB)

(74) *Attorney, Agent, or Firm* — Wood Herron & Evans
LLP

(**) Term: **15 Years**

(57) **CLAIM**

(21) Appl. No.: **29/637,683**

The ornamental design for a front bumper for a vehicle, as shown and described.

(22) Filed: **Feb. 21, 2018**

DESCRIPTION

(30) **Foreign Application Priority Data**

Aug. 31, 2017 (EM) 004174720

(51) **LOC (12) Cl.** **12-16**

(52) **U.S. Cl.**
USPC **D12/169**

(58) **Field of Classification Search**

USPC D12/86, 91, 93, 163, 164, 165, 166, 167,
D12/169, 171, 172, 173, 190, 216

CPC B60R 9/06; B60R 19/02; B60R 19/04;
B60R 19/18; B60R 19/44; B60R 19/48;
B62D 35/02; B62D 39/00; B62D 65/16;
B62D 21/12; B29C 45/16

See application file for complete search history.

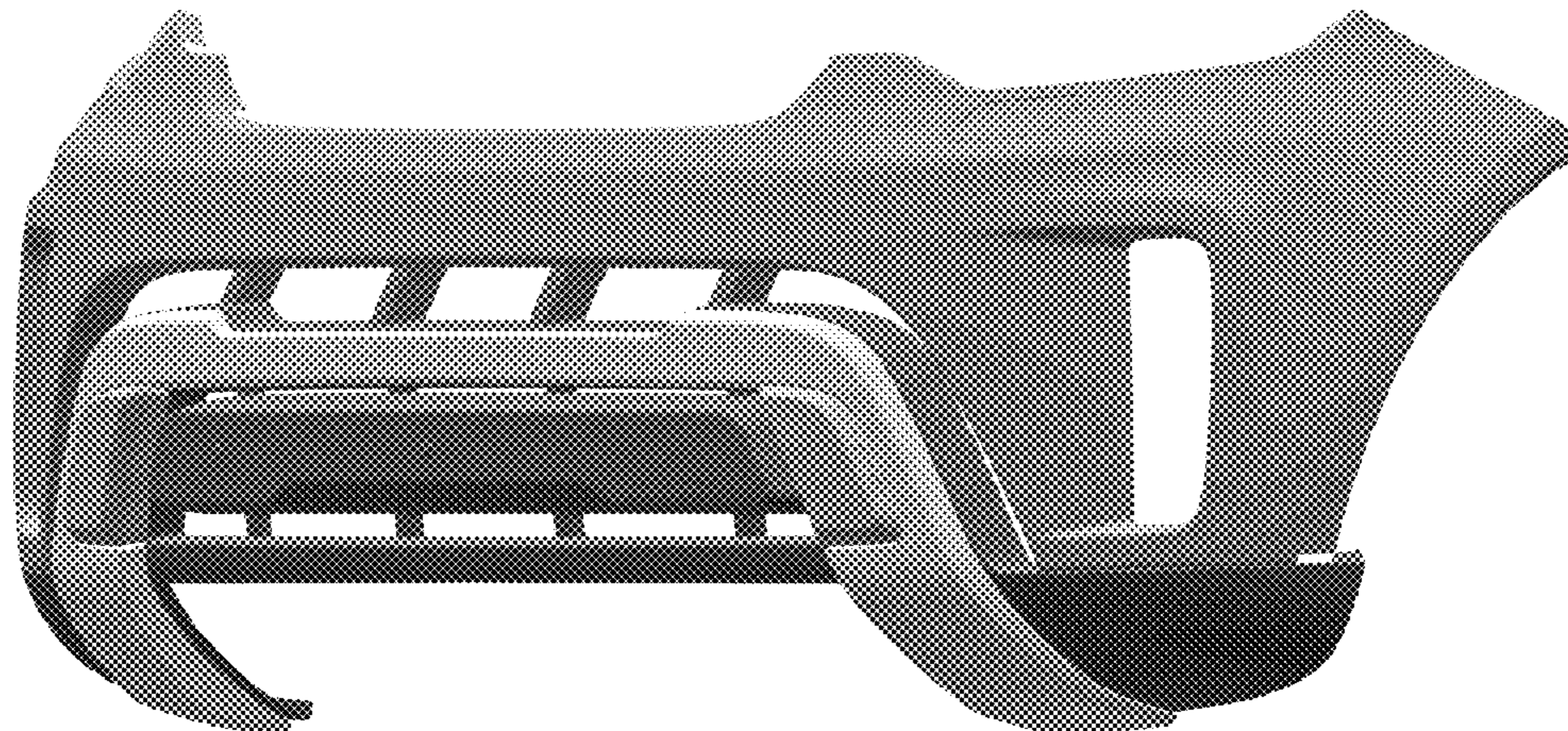
FIG. 1 is a front right perspective view of a front bumper for a vehicle according to the present invention.
FIG. 2 is a front left perspective view of the front bumper shown in FIG. 1.
FIG. 3 is a rear left perspective view thereof.
FIG. 4 is a rear right perspective view thereof.
FIG. 5 is a front view thereof.
FIG. 6 is a rear view thereof.
FIG. 7 is a left side view thereof.
FIG. 8 is a right side view thereof.
FIG. 9 is a top view thereof.
FIG. 10 is a bottom view thereof; and,
FIG. 11 is a front view of the front bumper shown in FIGS. 1-10, but with the front bumper mounted on a vehicle, and the rest of the vehicle shown in de-emphasized and half-tone portions so as to illustrate environmental structure. These portions form no part of the claimed invention. More particularly, in FIG. 11, the inventive front bumper is shown within the outer broken line, and the elements shown outside the outer broken line form no part of the claimed invention, but are instead included to show environmental aspects thereof. The smaller internal broken lines also form no part of the invention, but are included to show environmental structure.

(56) **References Cited**

U.S. PATENT DOCUMENTS

4,322,106 A * 3/1982 Nespor B60R 19/02
293/121
7,311,352 B2 * 12/2007 Flotzinger B60R 19/04
293/115
D720,265 S * 12/2014 Galante D12/169
8,972,116 B2 * 3/2015 Leach B60R 19/02
701/45
9,016,766 B2 * 4/2015 Silva B60R 19/12
296/187.09

1 Claim, 11 Drawing Sheets



(56)

References Cited

U.S. PATENT DOCUMENTS

D750,532 S * 3/2016 Frascella D12/91
9,327,768 B2 * 5/2016 Donabedian B62D 25/02
D788,643 S * 6/2017 Bucher D12/91
D793,907 S * 8/2017 Woolley D12/91
D805,959 S * 12/2017 Wheel D12/91
D813,097 S * 3/2018 Szavits D12/91
D817,815 S * 5/2018 Hubers D12/91
D818,399 S * 5/2018 Frascella D12/91
D818,879 S * 5/2018 Kochi D12/91
D820,160 S * 6/2018 Smock D12/91
D820,163 S * 6/2018 Woodhouse D12/91
D820,175 S * 6/2018 Ishigaki D12/169
D820,730 S * 6/2018 Wang D12/91
D821,266 S * 6/2018 Hagino D12/91

* cited by examiner

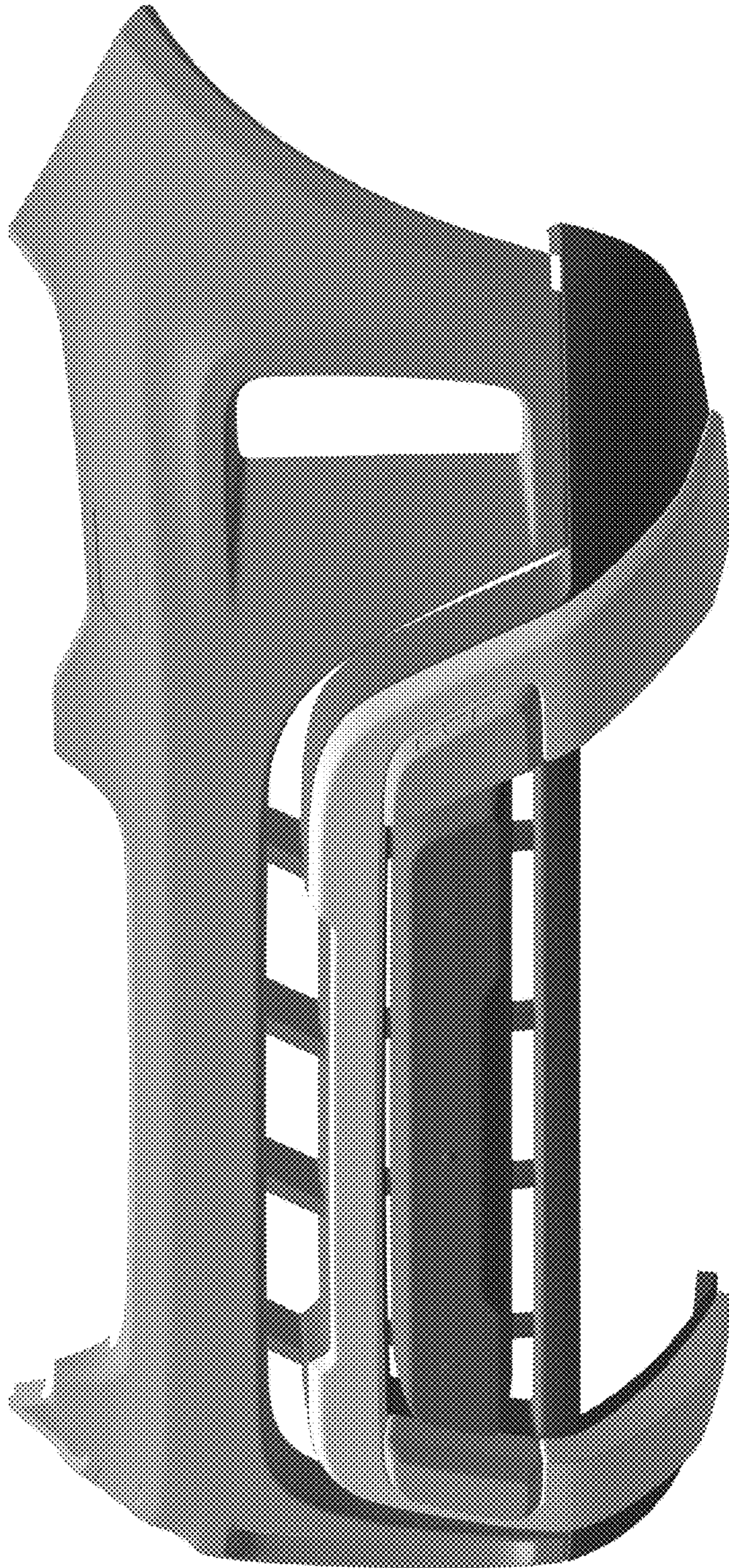


FIG. 1

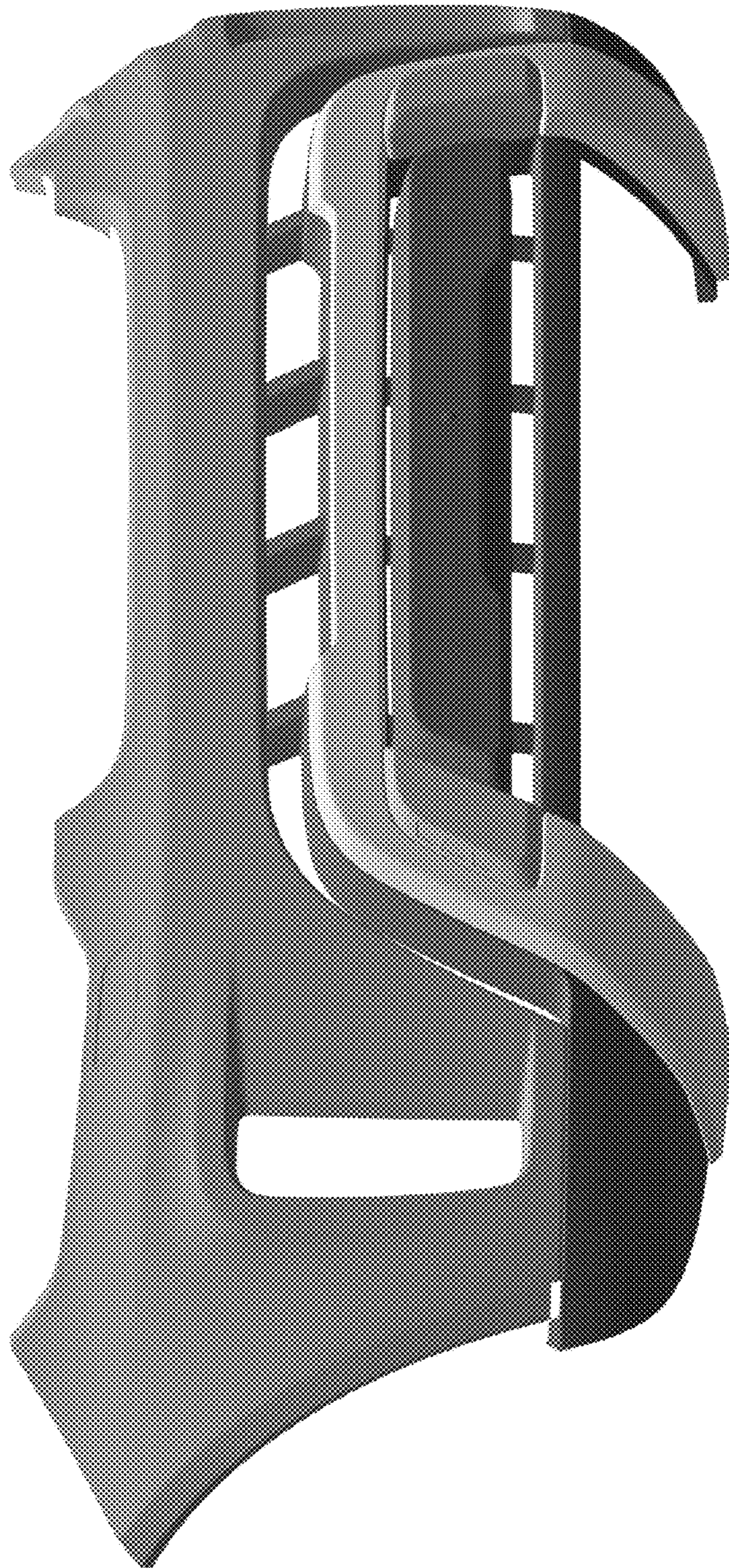


FIG. 2

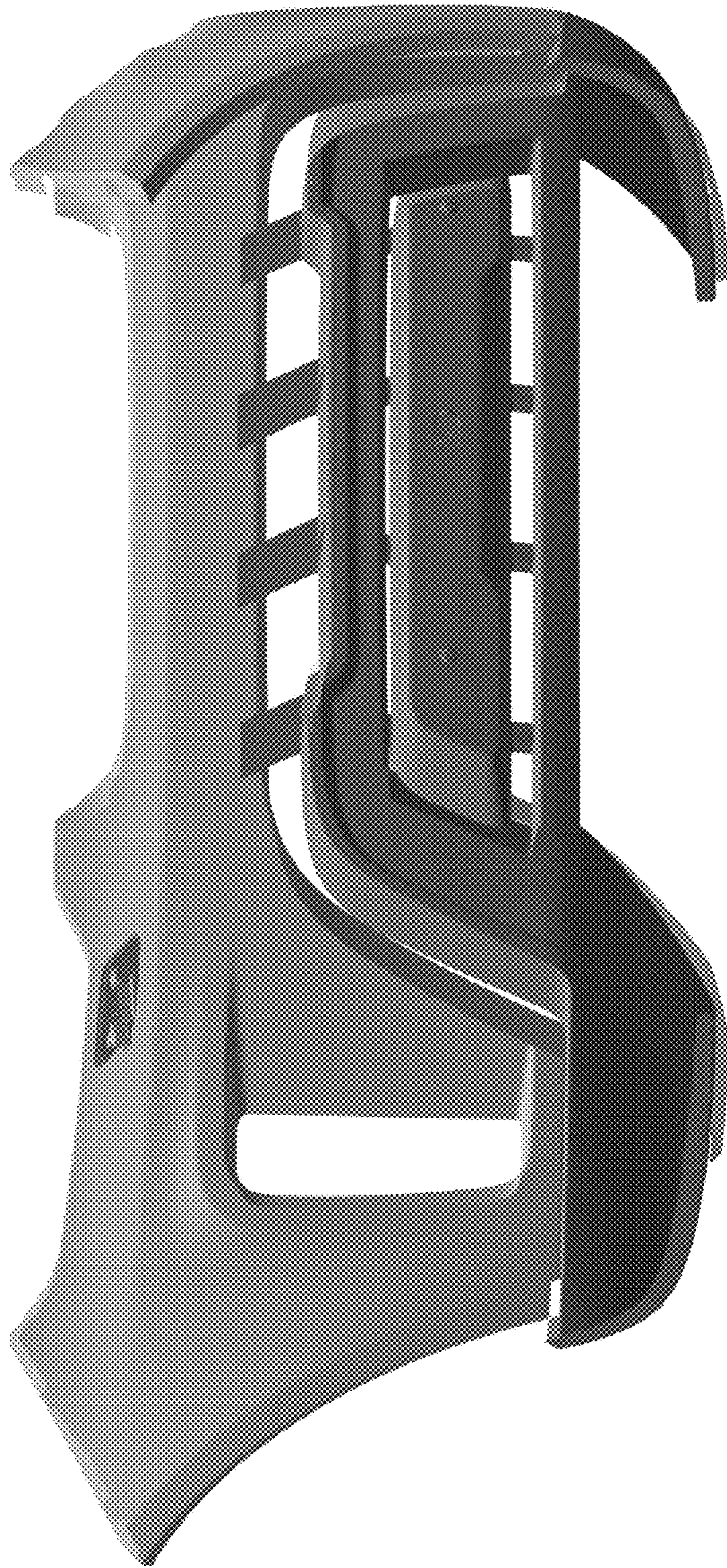


FIG. 3

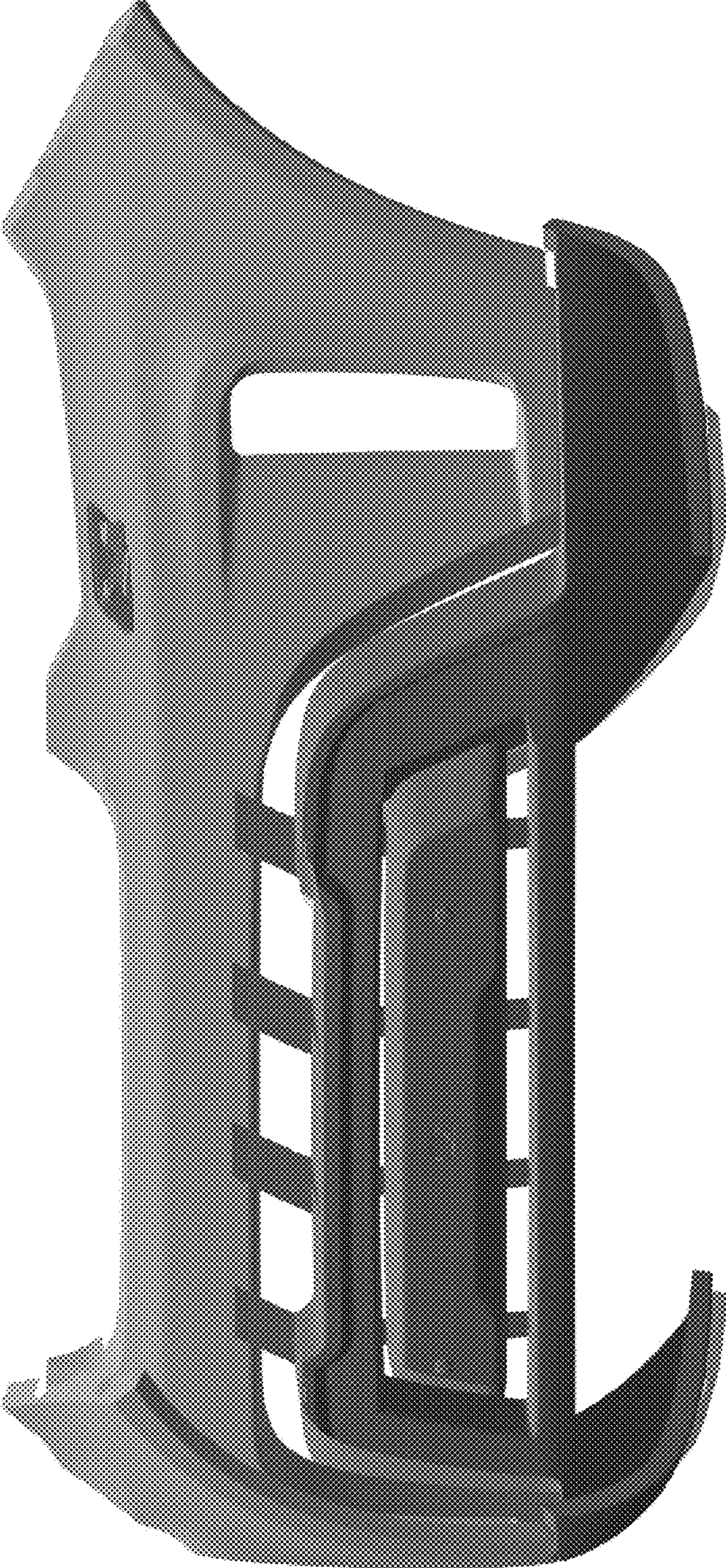


FIG. 4

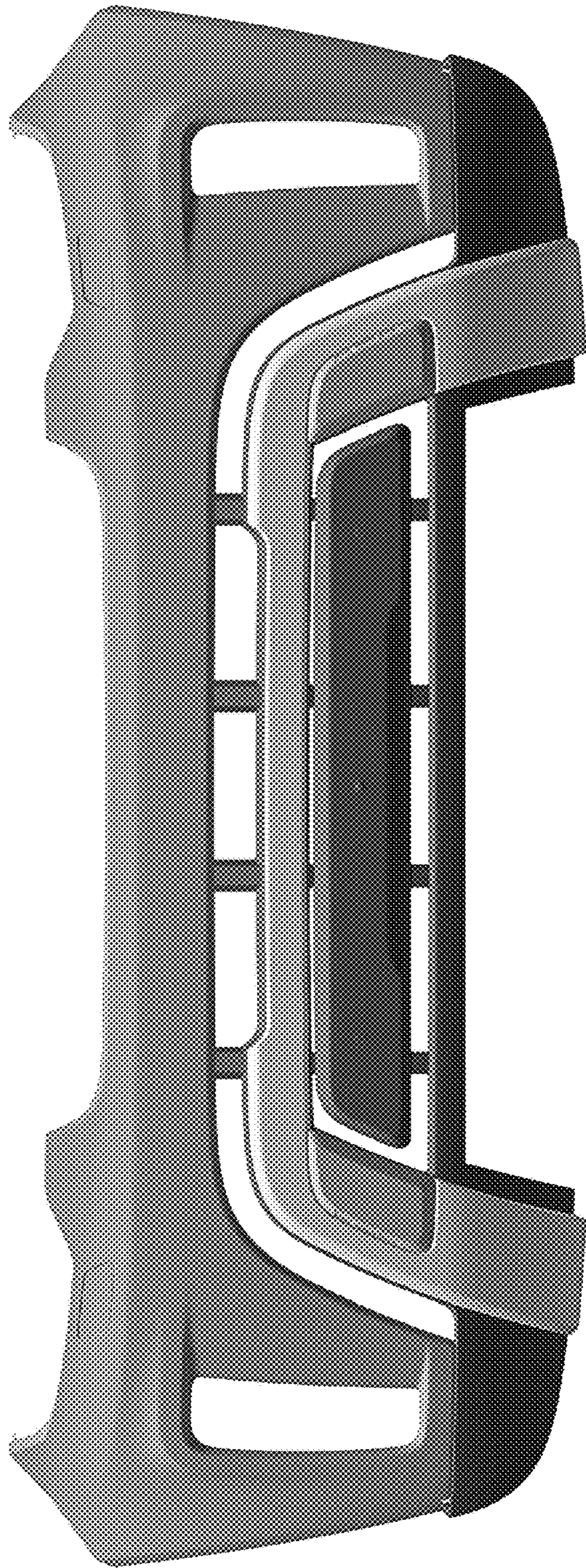


FIG. 5

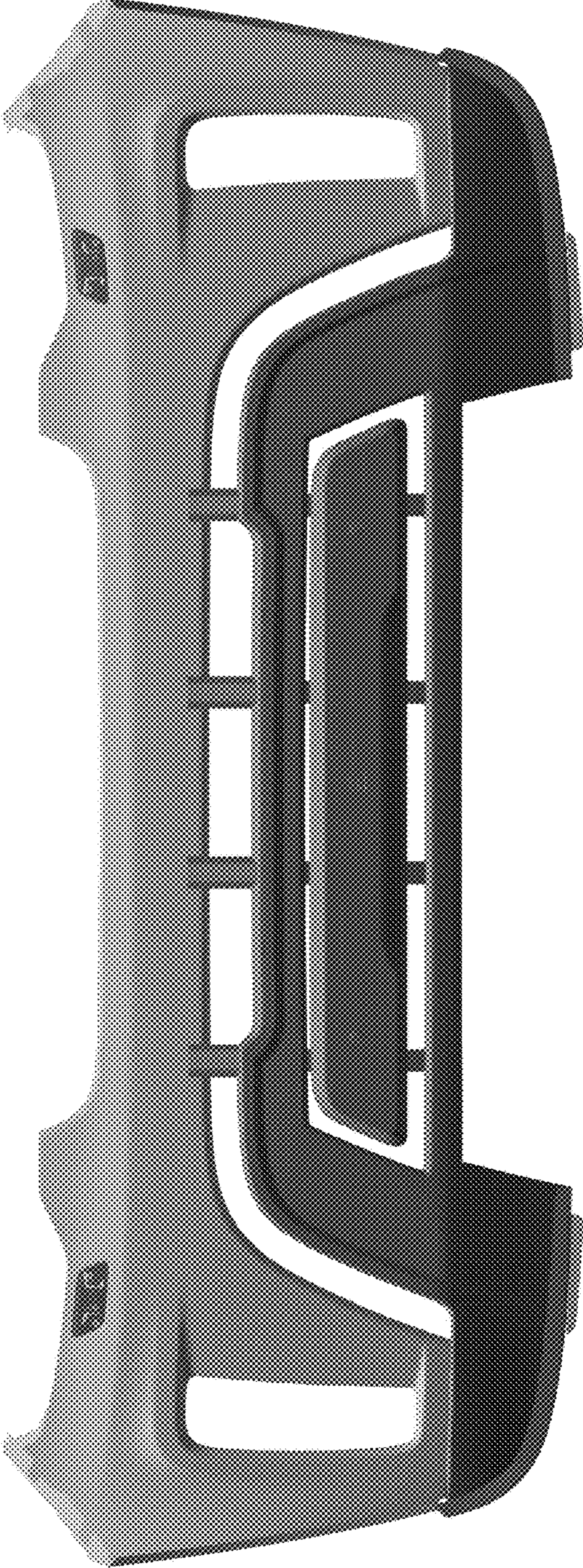


FIG. 6

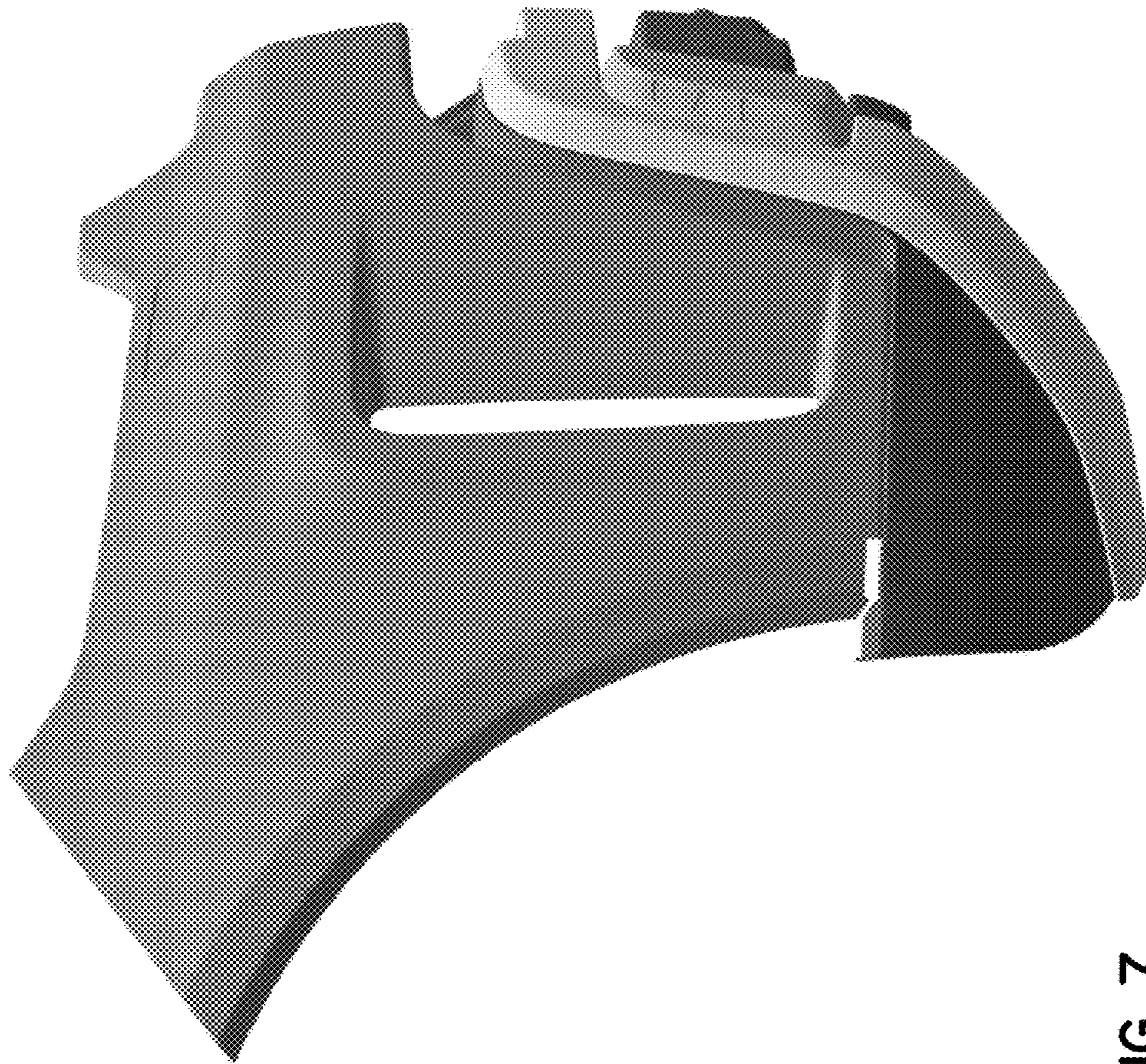


FIG. 7

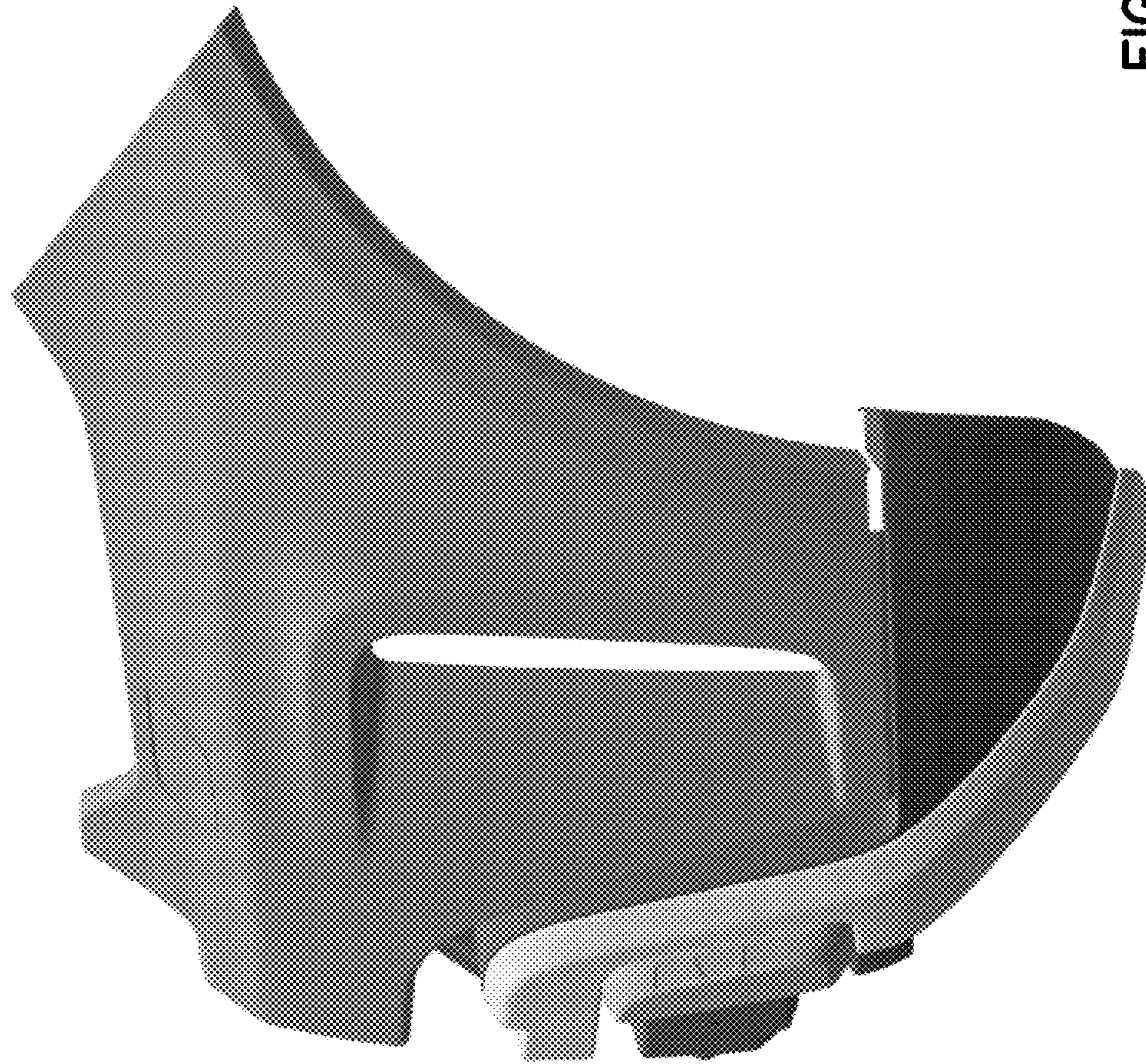


FIG. 8

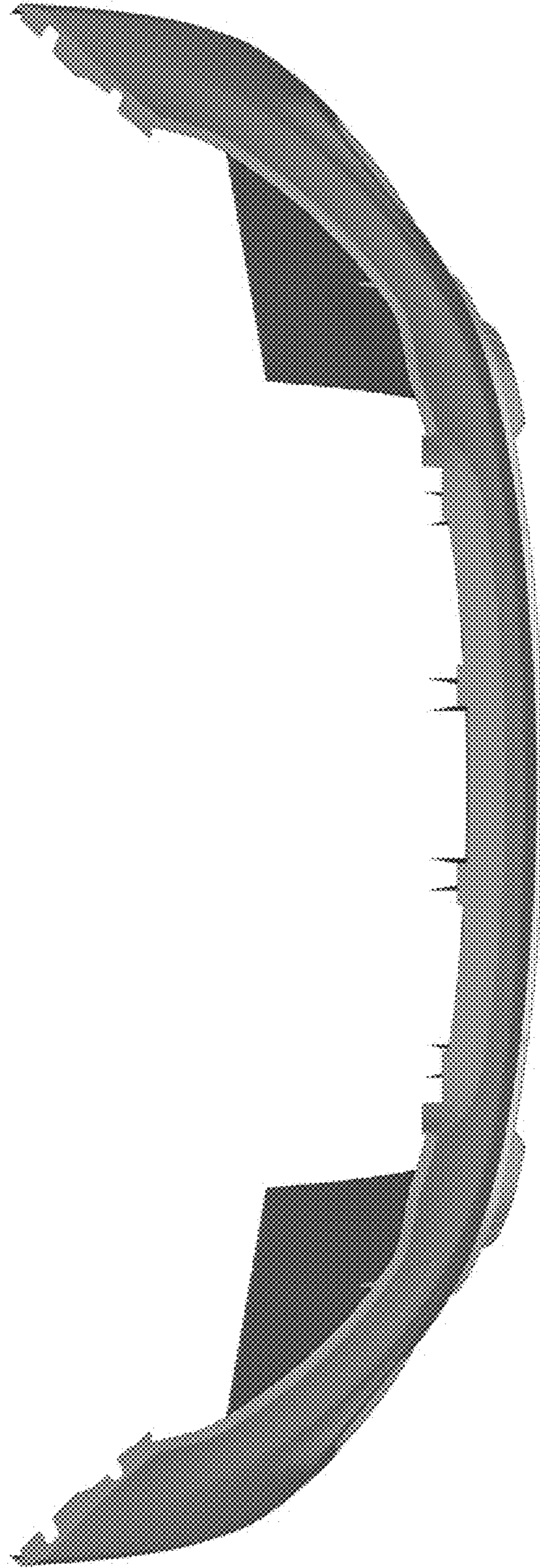


FIG. 9

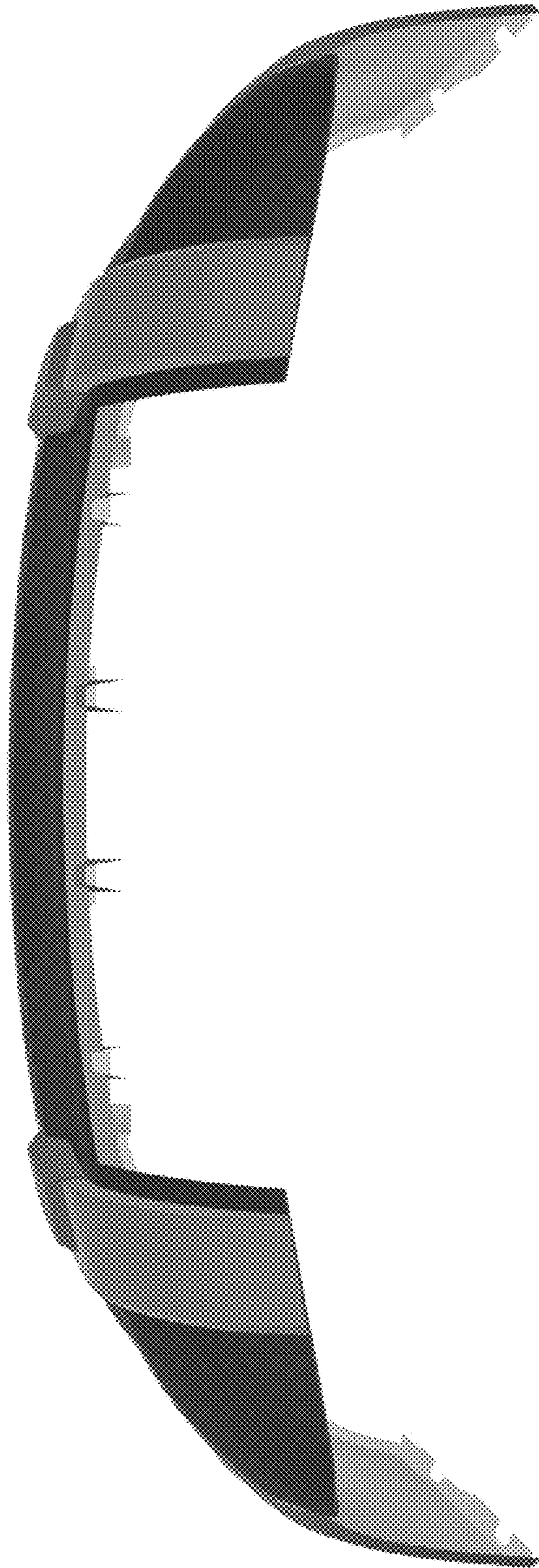


FIG. 10

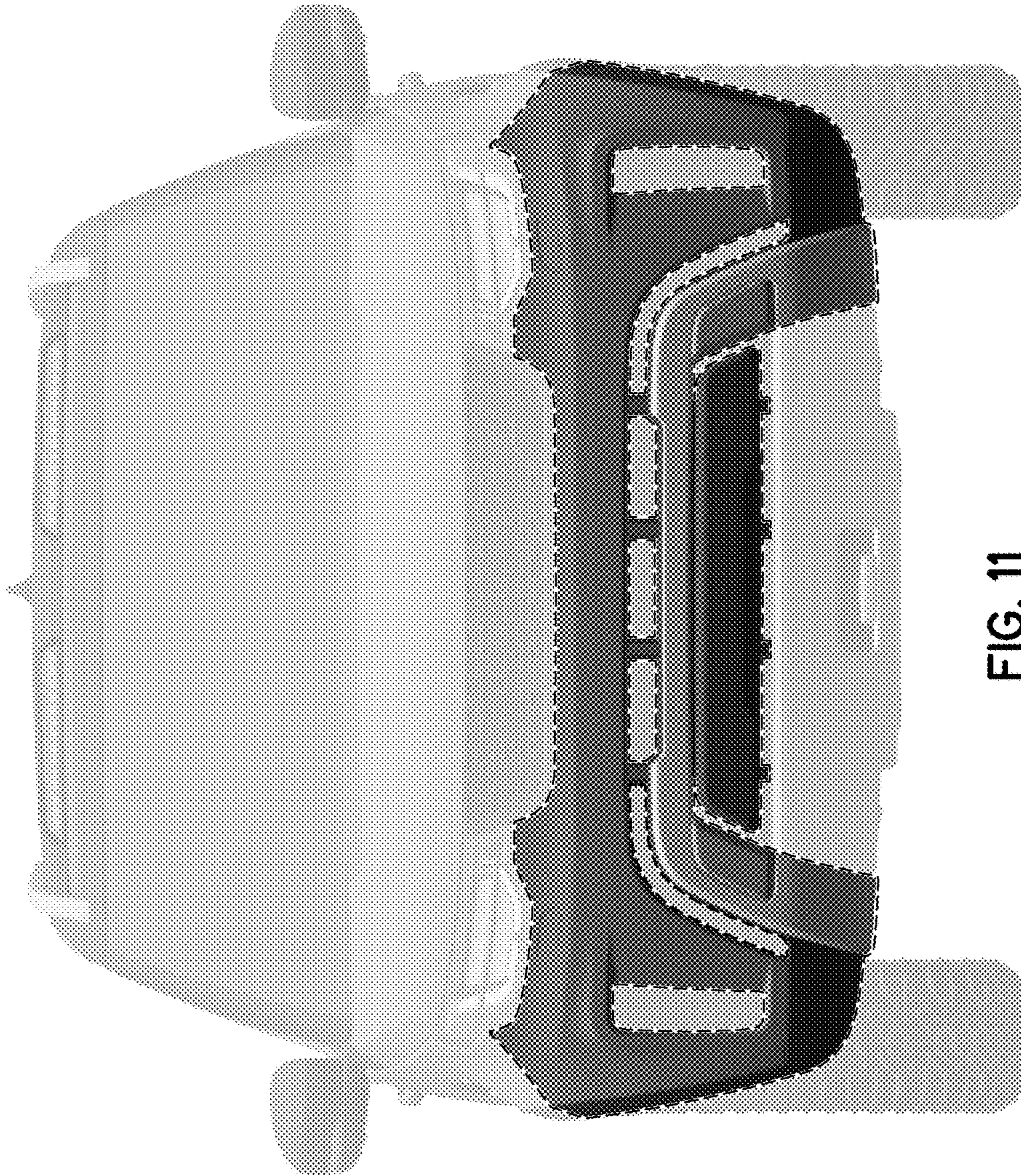


FIG. 11