



US00D864801S

(12) **United States Design Patent** (10) **Patent No.:** **US D864,801 S**
Morita et al. (45) **Date of Patent:** **** Oct. 29, 2019**

(54) **RADIATOR GRILL FOR AN AUTOMOBILE**

D818,891 S * 5/2018 Minamiyama D12/163
D819,504 S * 6/2018 Lalo D12/163
D819,508 S * 6/2018 Ino D12/163
D833,330 S * 11/2018 Sakai D12/91

(71) Applicant: **Nissan Motor Co., Ltd.**, Yokohama,
Kanagawa (JP)

(72) Inventors: **Mitsunori Morita**, Kanagawa (JP);
Kazuhiko Watanabe, Kanagawa (JP);
Junichi Sakai, Kanagawa (JP)

FOREIGN PATENT DOCUMENTS

EM 004413037-0001 * 12/2017

(73) Assignee: **Nissan Motor Co., Ltd.**, Yokohama
(JP)

OTHER PUBLICATIONS

<https://www.motortrend.com/2018-nissan-leaf-grill/> Sep. 5, 2017
(Year: 2017).*

(**) Term: **15 Years**

* cited by examiner

(21) Appl. No.: **29/623,077**

Primary Examiner — Leanne Was-Englehart

(22) Filed: **Oct. 23, 2017**

(57) **CLAIM**

The ornamental design for a radiator grill for an automobile,
as shown and described.

(30) **Foreign Application Priority Data**

DESCRIPTION

Apr. 24, 2017 (JP) 2017-008782

(51) **LOC (12) Cl.** **12-16**

(52) **U.S. Cl.**
USPC **D12/163**

(58) **Field of Classification Search**
USPC D12/86, 90-92, 98, 163, 169, 171, 196,
D12/216
CPC ... B60R 19/50; B60R 19/52; B60R 2019/525;
B60K 11/08; B60K 11/085; B62D 25/08;
B62D 25/084
See application file for complete search history.

FIG. 1 is a front elevational view of a radiator grill for an automobile in accordance with our new design;
FIG. 2 is a top plan view thereof;
FIG. 3 is a bottom plan view thereof;
FIG. 4 is a left side elevational view thereof;
FIG. 5 is a right side elevational view thereof;
FIG. 6 is a first side perspective view thereof; and
FIG. 7 is a second side perspective view thereof; and,
FIG. 8 is an enlarged cross sectional view taken along the line 8-8 in FIG. 1.

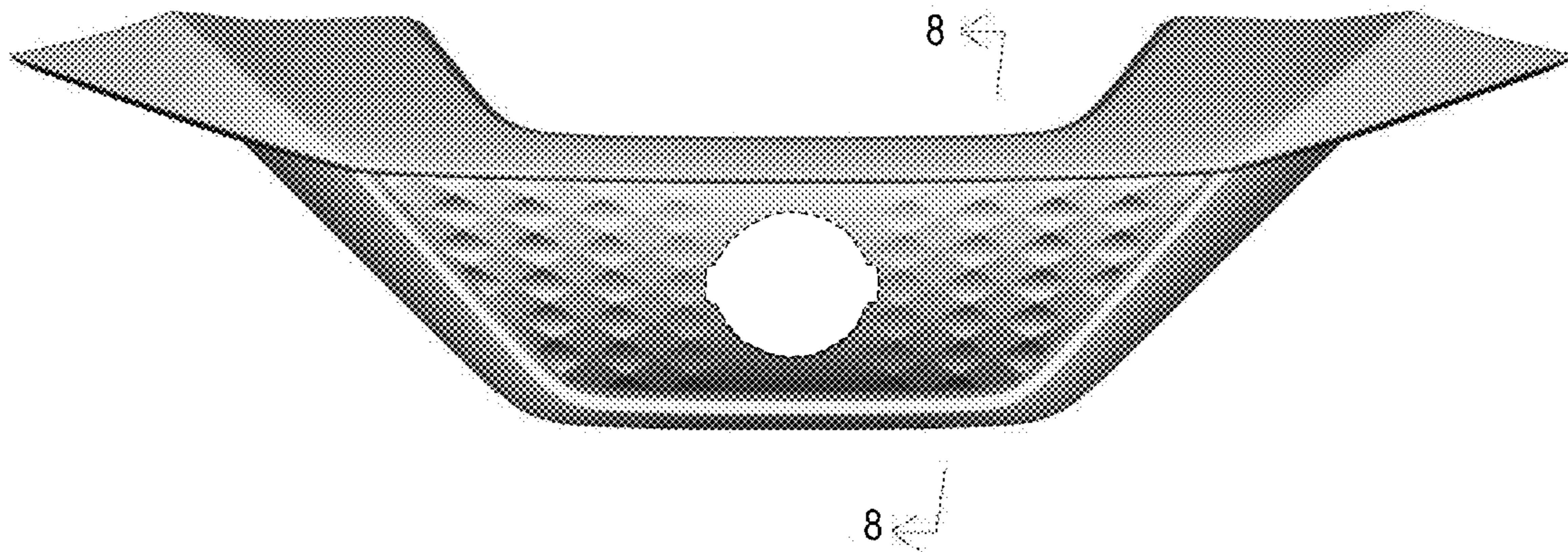
(56) **References Cited**

The broken line showing of the radiator grill is for purpose of illustrating environmental structure and forms no part of the claimed design. The rear view of the radiator grill forms no part of the claimed design. FIG. 8 is provided merely to better understand the outline of the claimed design.

U.S. PATENT DOCUMENTS

D770,336 S * 11/2016 Liu D12/169
D773,341 S * 12/2016 Liu D12/92
D789,844 S * 6/2017 Sakai D12/163

1 Claim, 8 Drawing Sheets



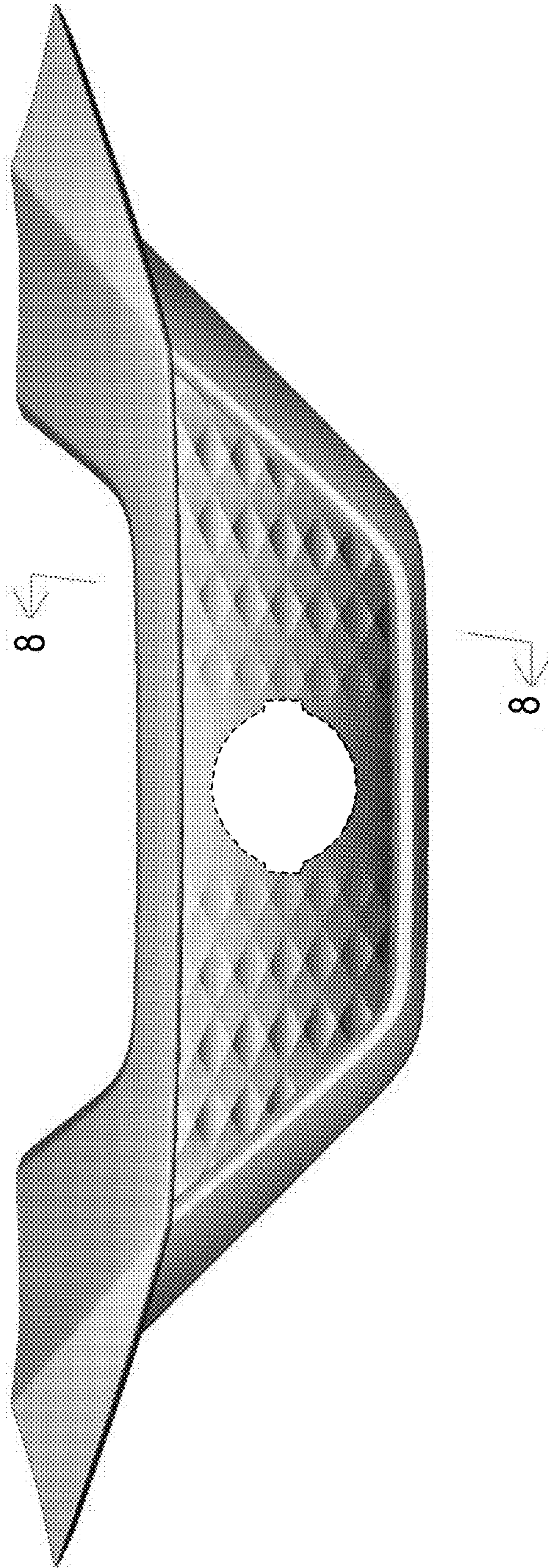


FIG. 1

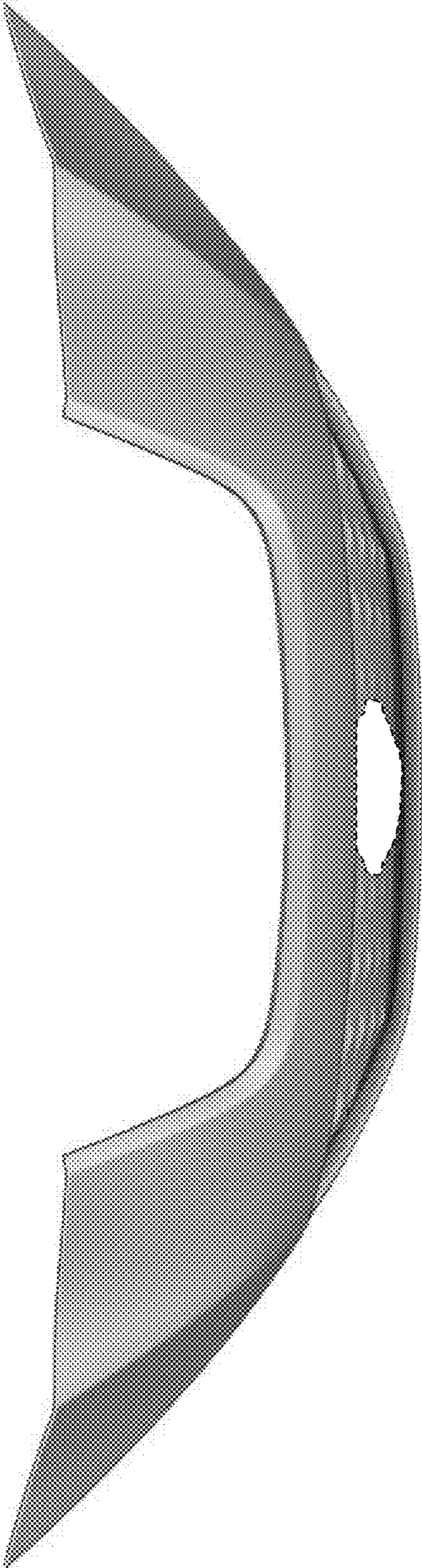


FIG. 2

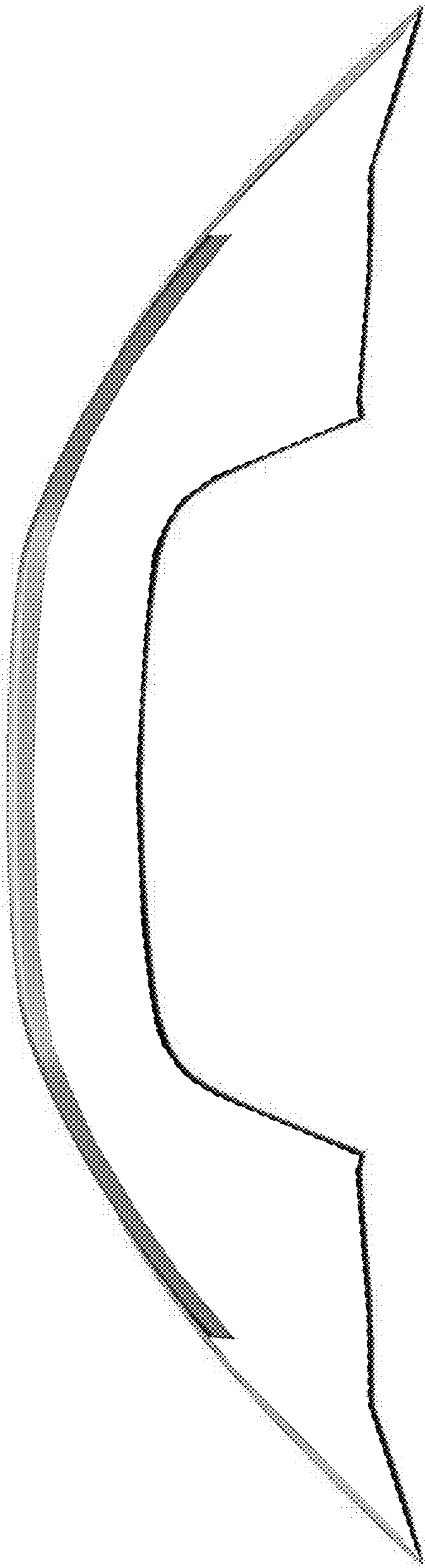


FIG. 3

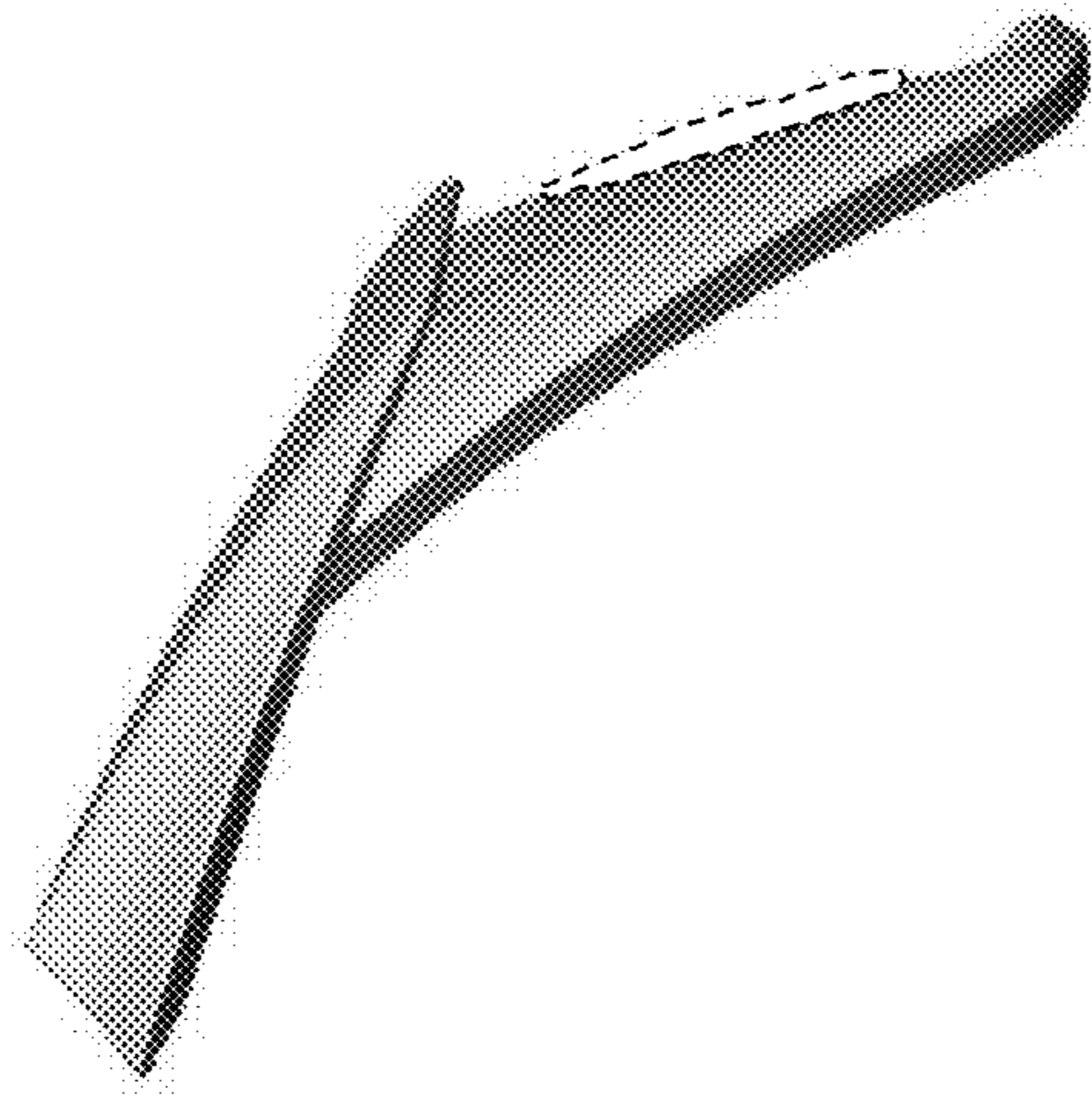


FIG. 4

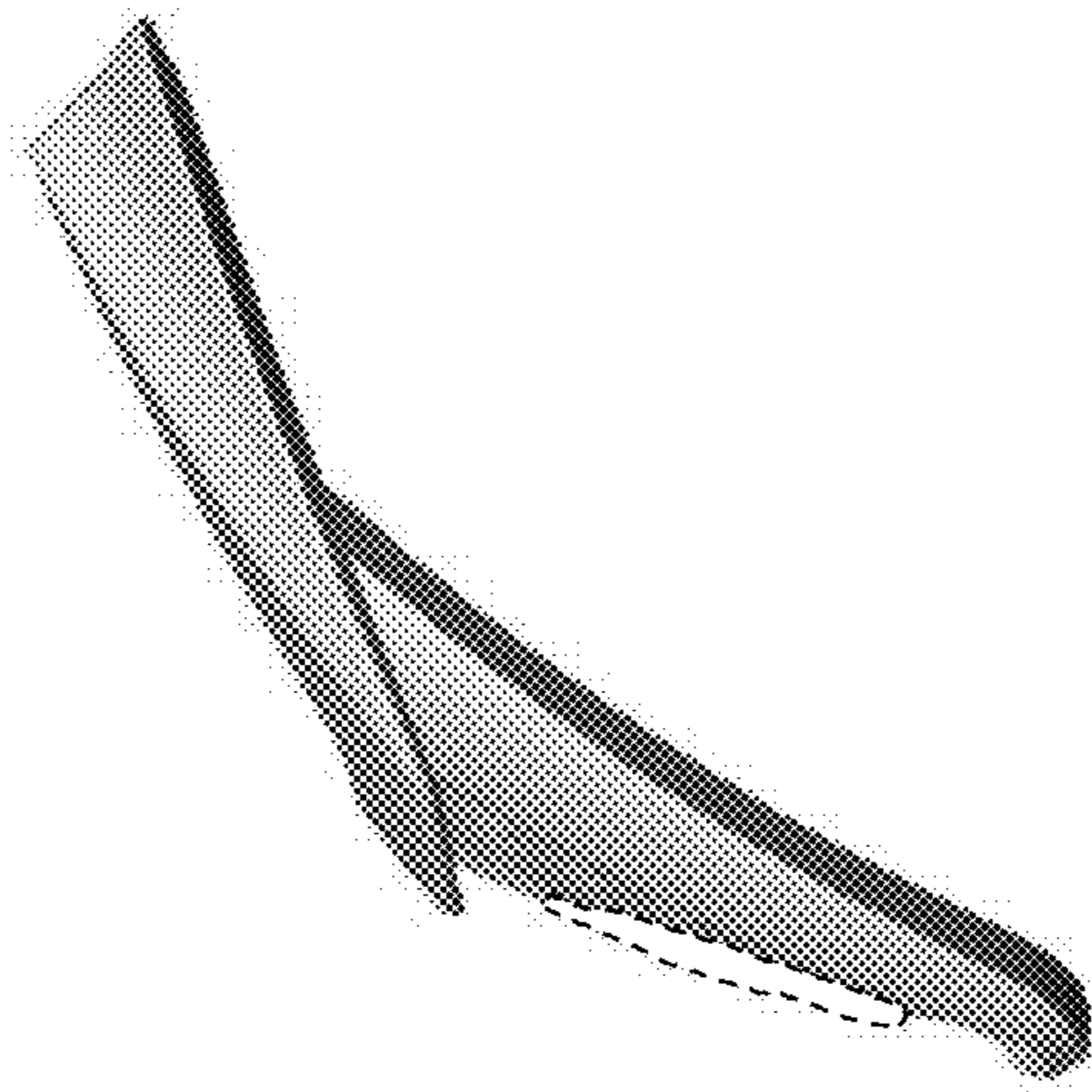


FIG. 5

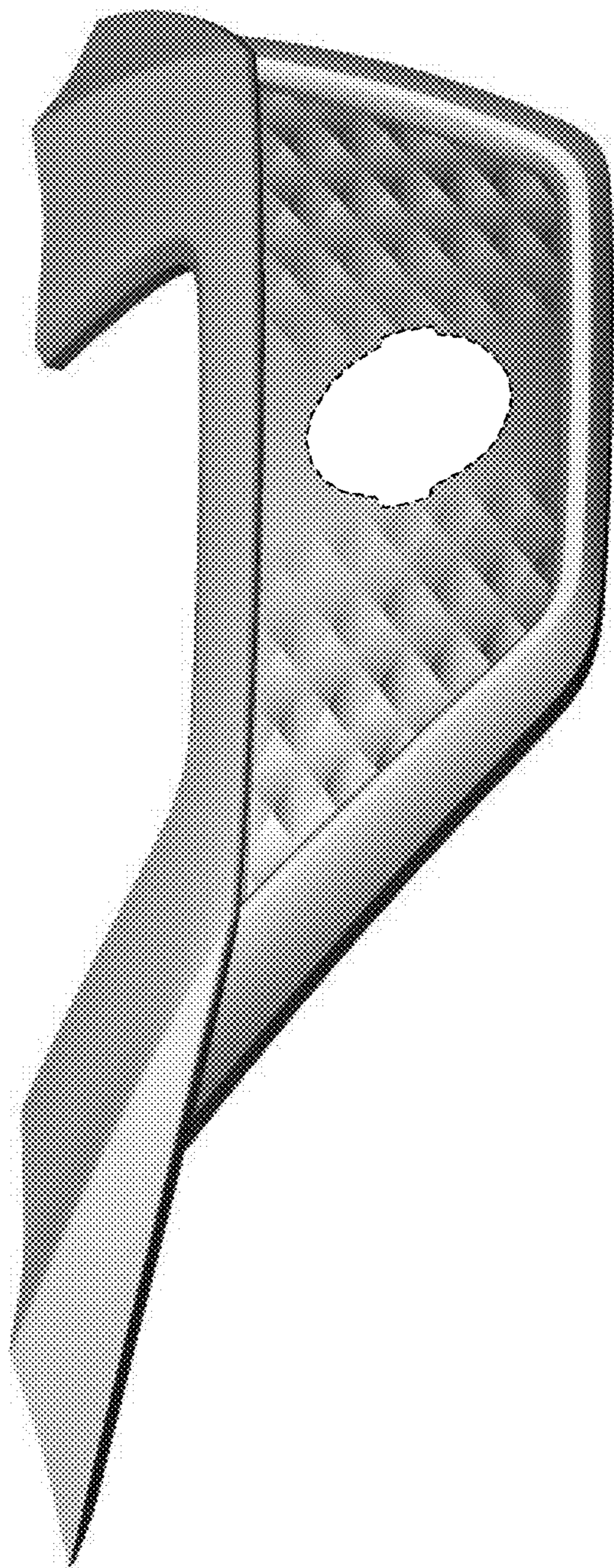


FIG. 6

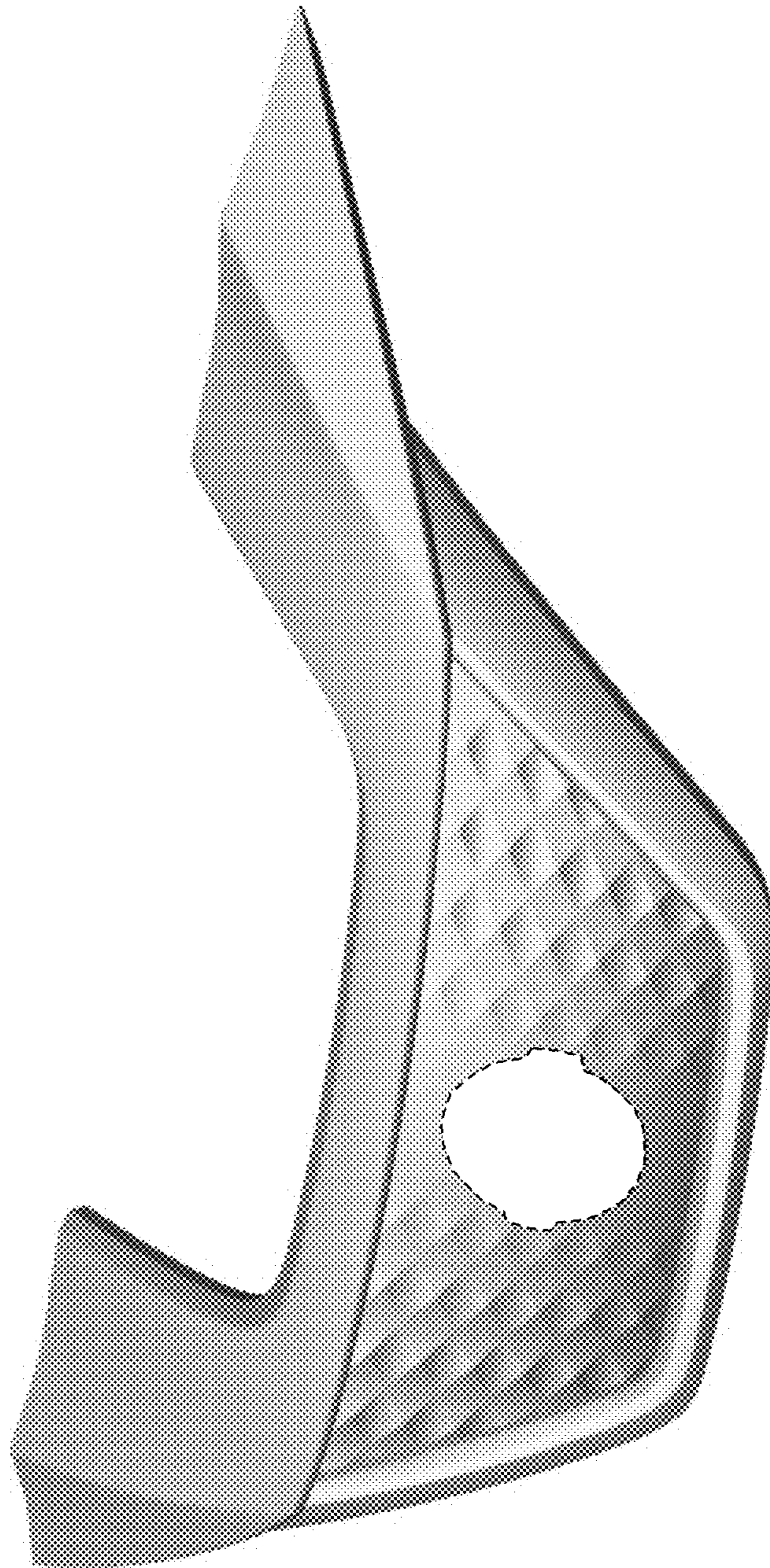


FIG. 7



FIG. 8