



US00D864800S

(12) **United States Design Patent** (10) **Patent No.:** **US D864,800 S**  
**Borkholder** (45) **Date of Patent:** **\*\* Oct. 29, 2019**

(54) **TORSION TRAILER COUPLER**

(71) Applicant: **Carl J. Borkholder**, Bremen, IN (US)

(72) Inventor: **Carl J. Borkholder**, Bremen, IN (US)

(\*\*) Term: **15 Years**

(21) Appl. No.: **29/641,596**

(22) Filed: **Mar. 23, 2018**

(51) **LOC (12) Cl.** ..... **12-16**

(52) **U.S. Cl.**  
USPC ..... **D12/162**

(58) **Field of Classification Search**  
USPC ..... D12/159-163, 167, 169, 172, 203, 223,  
D12/400-416; 224/923, 924; 211/100,  
211/124, 2, 4  
CPC . B60D 1/60; B60D 1/065; B60D 1/00; B60D  
1/06  
See application file for complete search history.

(56) **References Cited**

**U.S. PATENT DOCUMENTS**

2,847,232	A *	8/1958	Graham	.....	B60D 1/46 280/490.1
4,641,852	A *	2/1987	Kerst	.....	B60D 1/50 280/489
D375,284	S *	11/1996	Kass	.....	D12/162
D401,195	S *	11/1998	Chimenti	.....	D12/162
D436,901	S *	1/2001	Brisson	.....	D12/162
D458,942	S *	6/2002	Balemi	.....	D15/28
6,494,478	B1 *	12/2002	MacKarvich	.....	B60D 1/06 177/136
6,691,438	B2 *	2/2004	Fatemi	.....	E02F 3/3627 37/403
D508,221	S *	8/2005	Rebick	.....	D12/162
7,246,457	B2 *	7/2007	Mieger	.....	E02F 3/3654 172/272
D593,848	S *	6/2009	Balemi	.....	D15/28
D629,338	S *	12/2010	Ceccarelli	.....	D12/162
D630,571	S *	1/2011	Kading	.....	D12/400

(Continued)

**OTHER PUBLICATIONS**

Contractor (Torsion-Flex) Trailer Coupler, GenYhitch.com, [online], [site visited Jul. 14, 2019]. <URL: https://genyhitch.com/product/contractor-torsion-flex-trailer-coupler/> (Year: 2019).\*

(Continued)

*Primary Examiner* — T Chase Nelson

*Assistant Examiner* — Jonathan J. Han

(74) *Attorney, Agent, or Firm* — Botkin & Hall, LLP

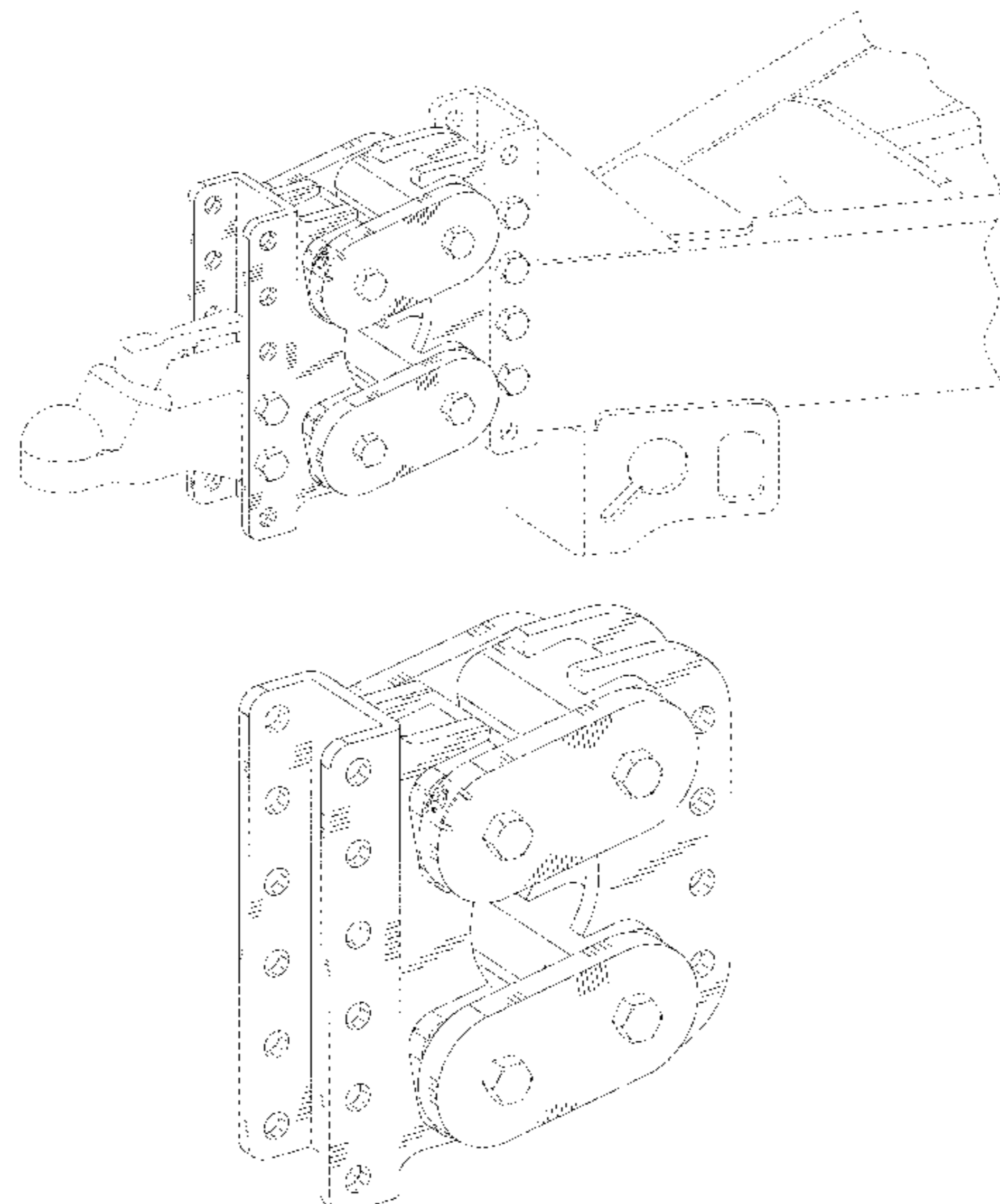
(57) **CLAIM**

The ornamental design for a torsion trailer coupler, as shown and described.

**DESCRIPTION**

FIG. 1 is an isometric view of the torsion trailer coupler as attached to a trailer;  
 FIG. 2 is a front isometric view of the torsion trailer coupler of FIG. 1;  
 FIG. 3 is a back isometric view of the torsion trailer coupler of FIG. 2;  
 FIG. 4 is a left side view of the torsion trailer coupler of FIG. 1;  
 FIG. 5 is a right side view of the torsion trailer coupler of FIG. 1;  
 FIG. 6 is a front view of the torsion trailer coupler of FIG. 1;  
 FIG. 7 is a back view of the torsion trailer coupler of FIG. 1.  
 FIG. 8 is a top view of the torsion trailer coupler of FIG. 1; and,  
 FIG. 9 is a bottom view of the torsion trailer coupler of FIG. 1.  
 The broken lines depict portions of the torsion trailer coupler and the trailer environment that form no part of the claimed design, and are for illustrative purposes only.

**1 Claim, 7 Drawing Sheets**



(56)

References Cited

U.S. PATENT DOCUMENTS

D682,751 S \* 5/2013 Borkholder ..... D12/162  
 D683,279 S \* 5/2013 Borkholder ..... D12/162  
 D688,168 S \* 8/2013 Buschman ..... D12/162  
 D697,838 S \* 1/2014 Borkholder ..... D12/162  
 D737,122 S \* 8/2015 Robbins, III ..... D8/354  
 D741,155 S \* 10/2015 Ziaylek ..... D8/373  
 9,505,281 B1 \* 11/2016 Borkholder ..... B60D 1/248  
 D773,345 S \* 12/2016 Borkholder ..... D12/162  
 D794,515 S \* 8/2017 McCuskey ..... D12/162  
 D795,756 S \* 8/2017 McCuskey ..... D12/162  
 D806,625 S \* 1/2018 Hoffman ..... D12/203  
 D828,241 S \* 9/2018 Borkholder ..... D12/162  
 D838,630 S \* 1/2019 Borkholder ..... D12/162  
 D841,526 S \* 2/2019 Siegel ..... D12/162  
 D847,697 S \* 5/2019 McCuskey ..... D12/162  
 D847,698 S \* 5/2019 Moore ..... D12/162  
 D851,545 S \* 6/2019 McCuskey ..... D12/162  
 2019/0031255 A1 \* 1/2019 Borkholder ..... B62D 53/061

OTHER PUBLICATIONS

Gen-Y Hitch—Don't Miss Our New Torsion Coupler, YouTube.com, Gen-Y Hitch, Published on May 9, 2018, [online], [site visited Jul. 14, 2019]. <URL: <https://www.youtube.com/watch?v=FEoKQBU4Eg>> (Year: 2018).\*

Ultra-Tow XTP Auto-Locking Trailer Coupler—11-Ton Capacity, Fits 2<sup>5</sup>/<sub>16</sub> in. Ball, NorthernTool.com, [online], [site visited Jul. 14, 2019]. <URL: [https://www.northerntool.com/shop/tools/product\\_200677463\\_200677463](https://www.northerntool.com/shop/tools/product_200677463_200677463)> (Year: 2019).\*

Bulldog Trailer Hitch Coupler, OreilyAuto.com, [online], [site visited Jul. 14, 2019]. <URL: <https://www.oreillyauto.com/detail/b/bulldog-3024/truck---towing-16781/trailer---towing-16648/trailer-hitches-16681/hitch-coupler-16679/hitch-coupler-parts-19117/2b38315022d4/bulldog-trailer-hitch-coupler/a256>> (Year: 2019).\*

\* cited by examiner

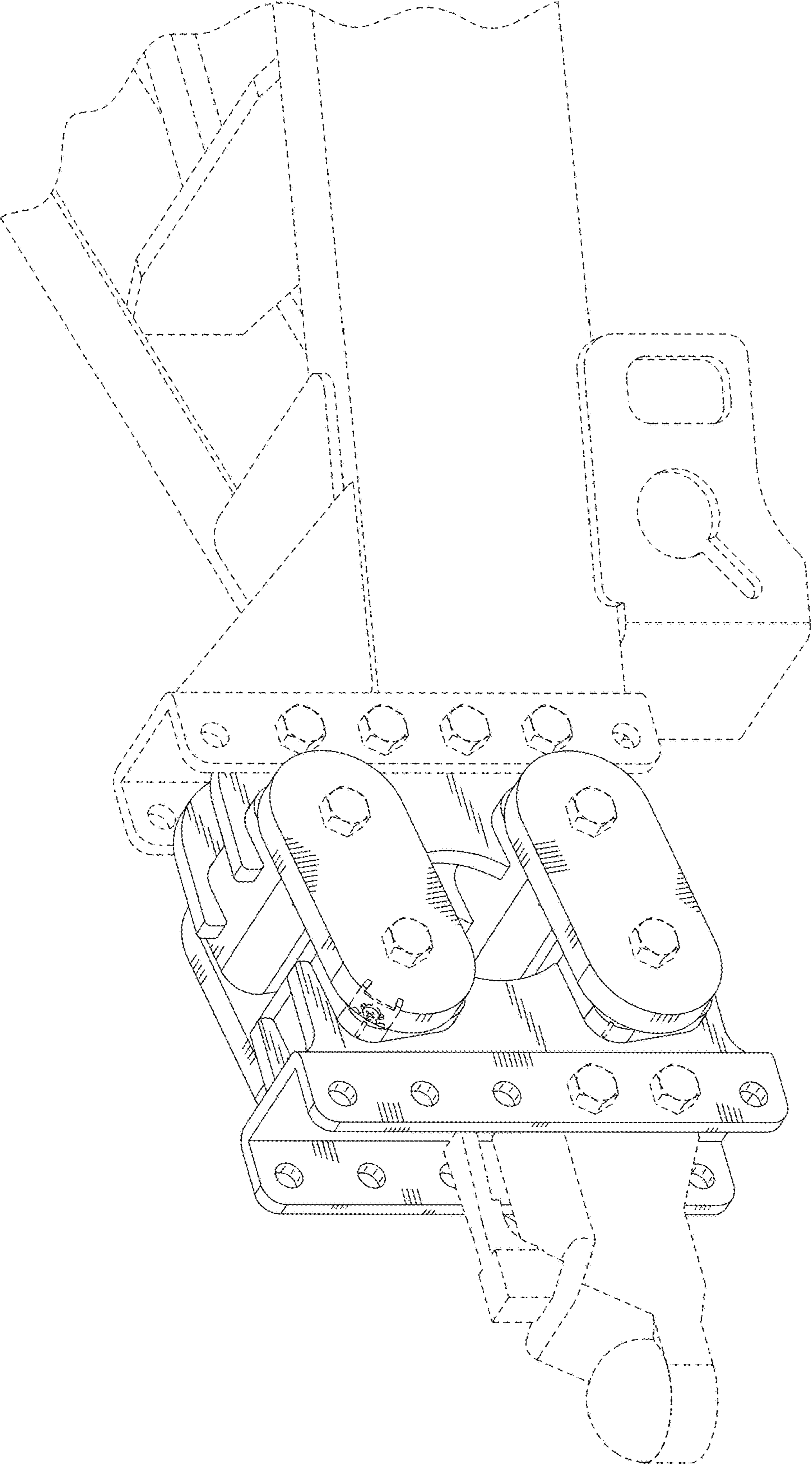


Fig. 1

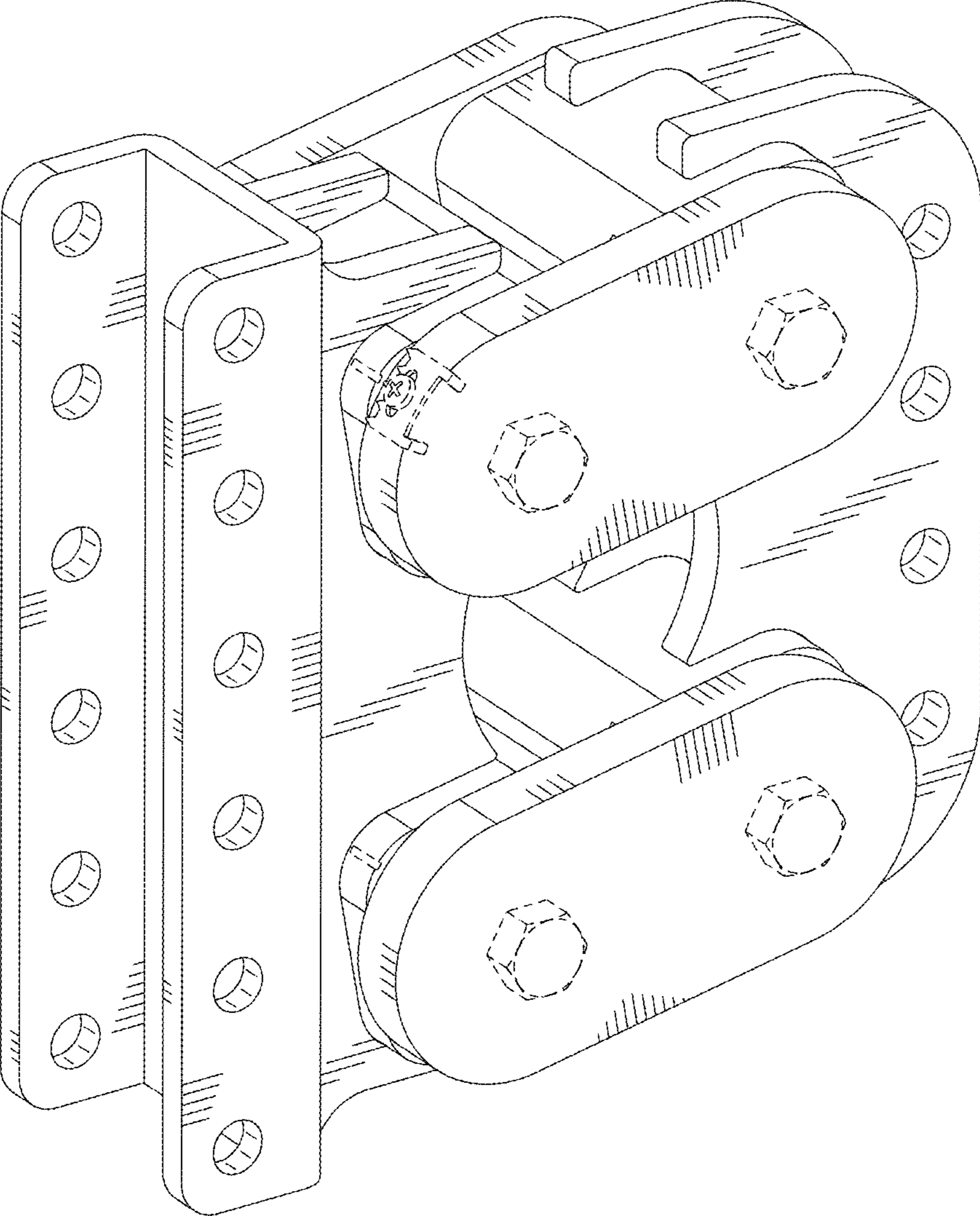


Fig. 2

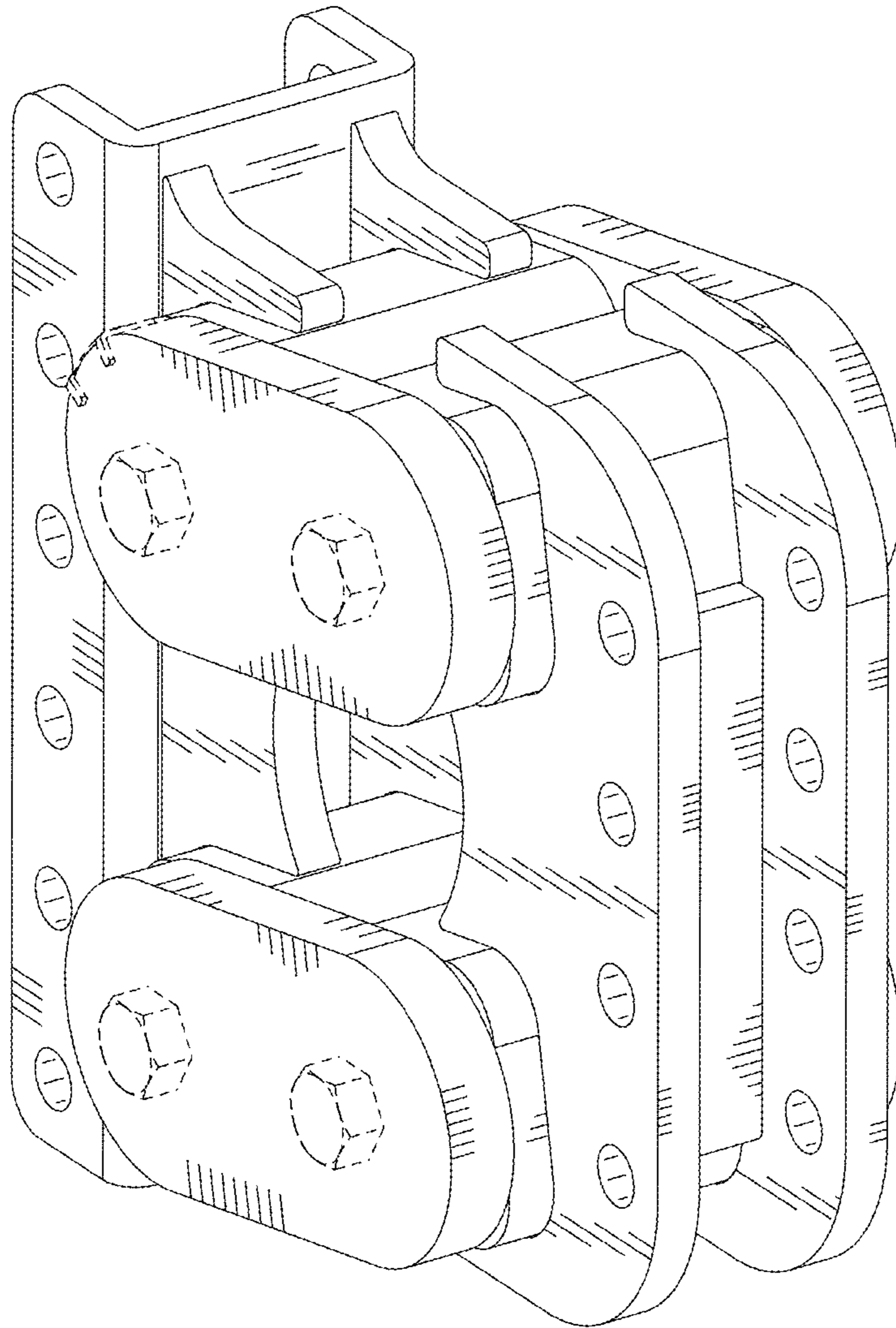


Fig. 3

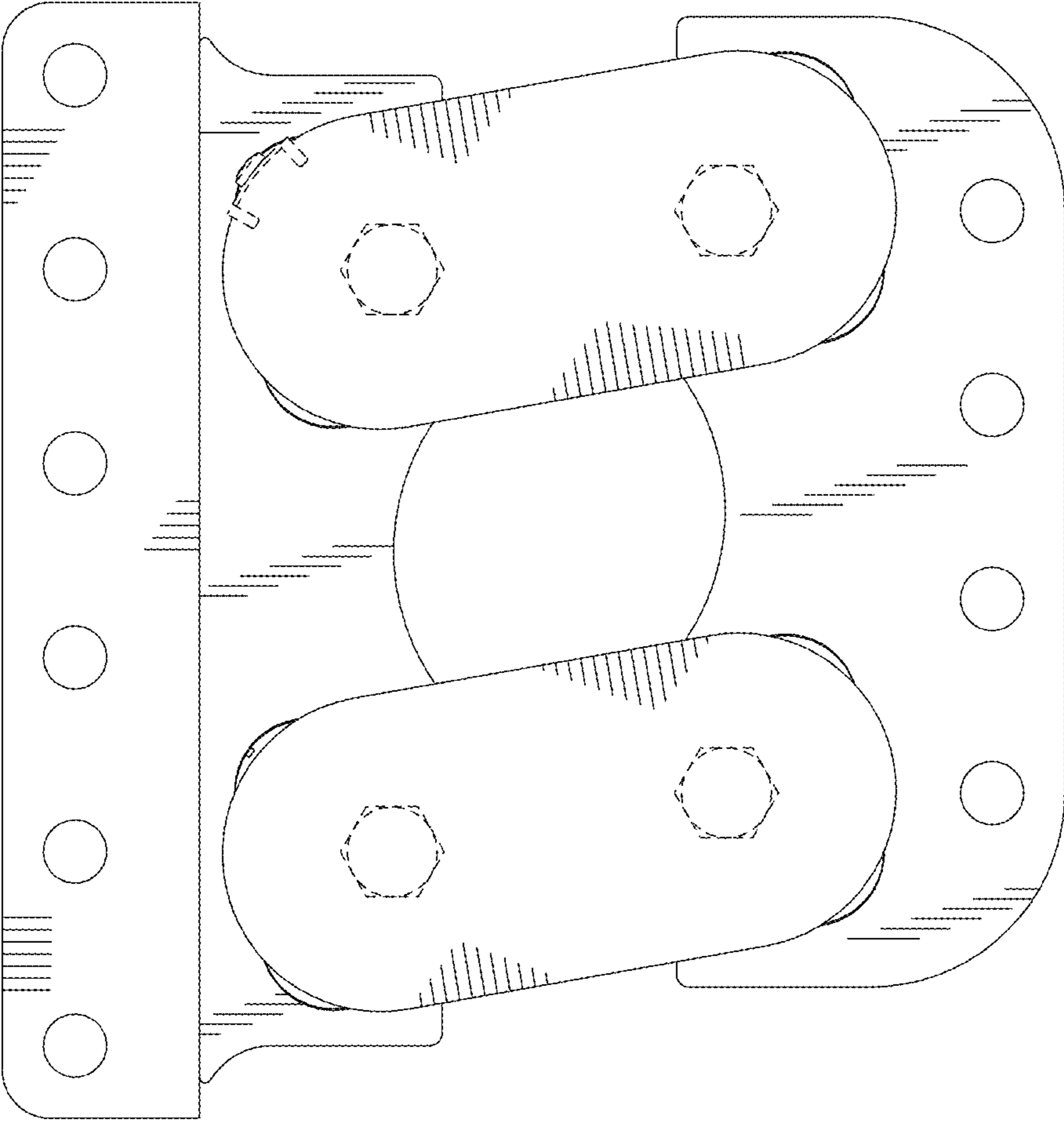


Fig. 4

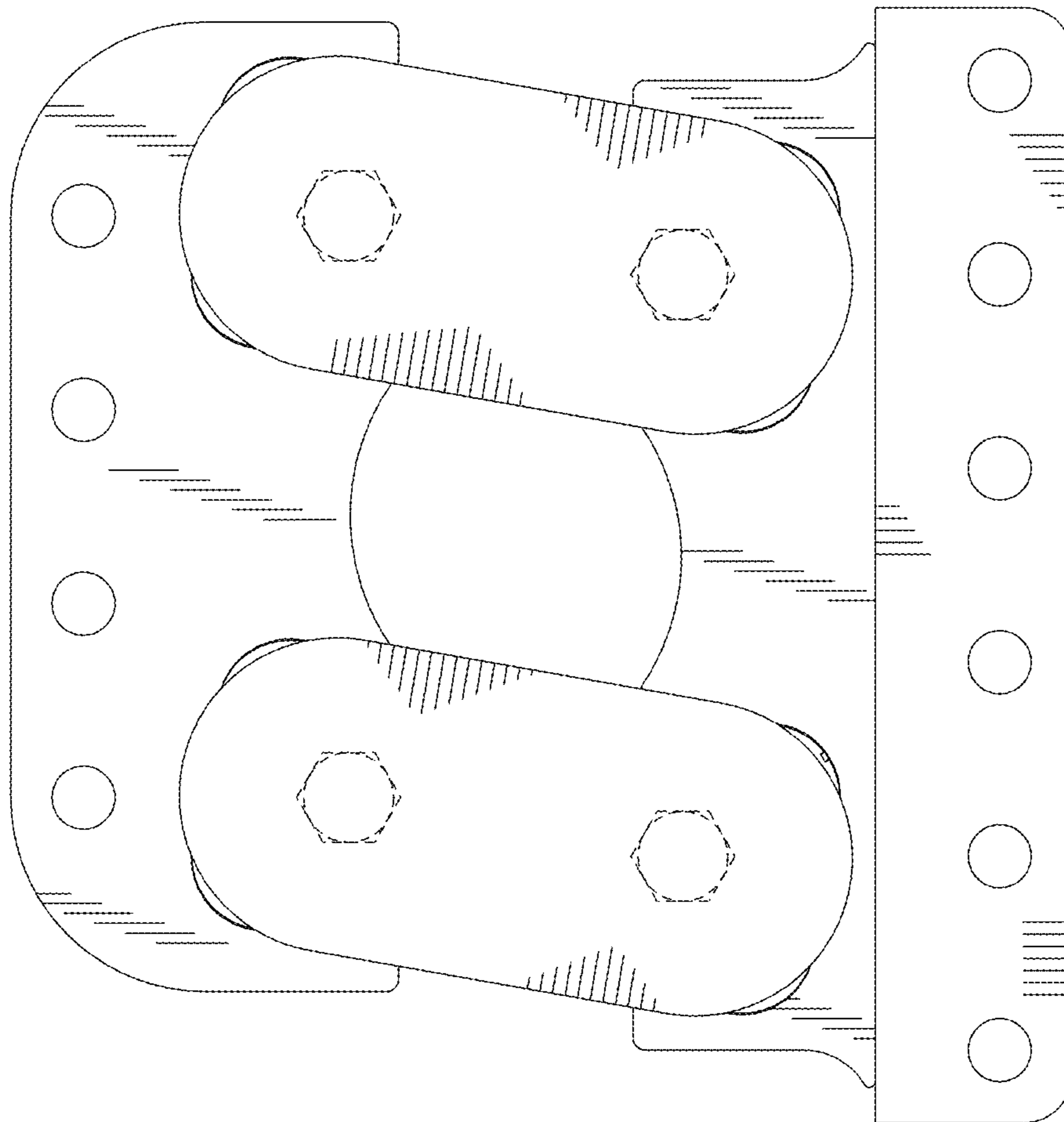


Fig. 5

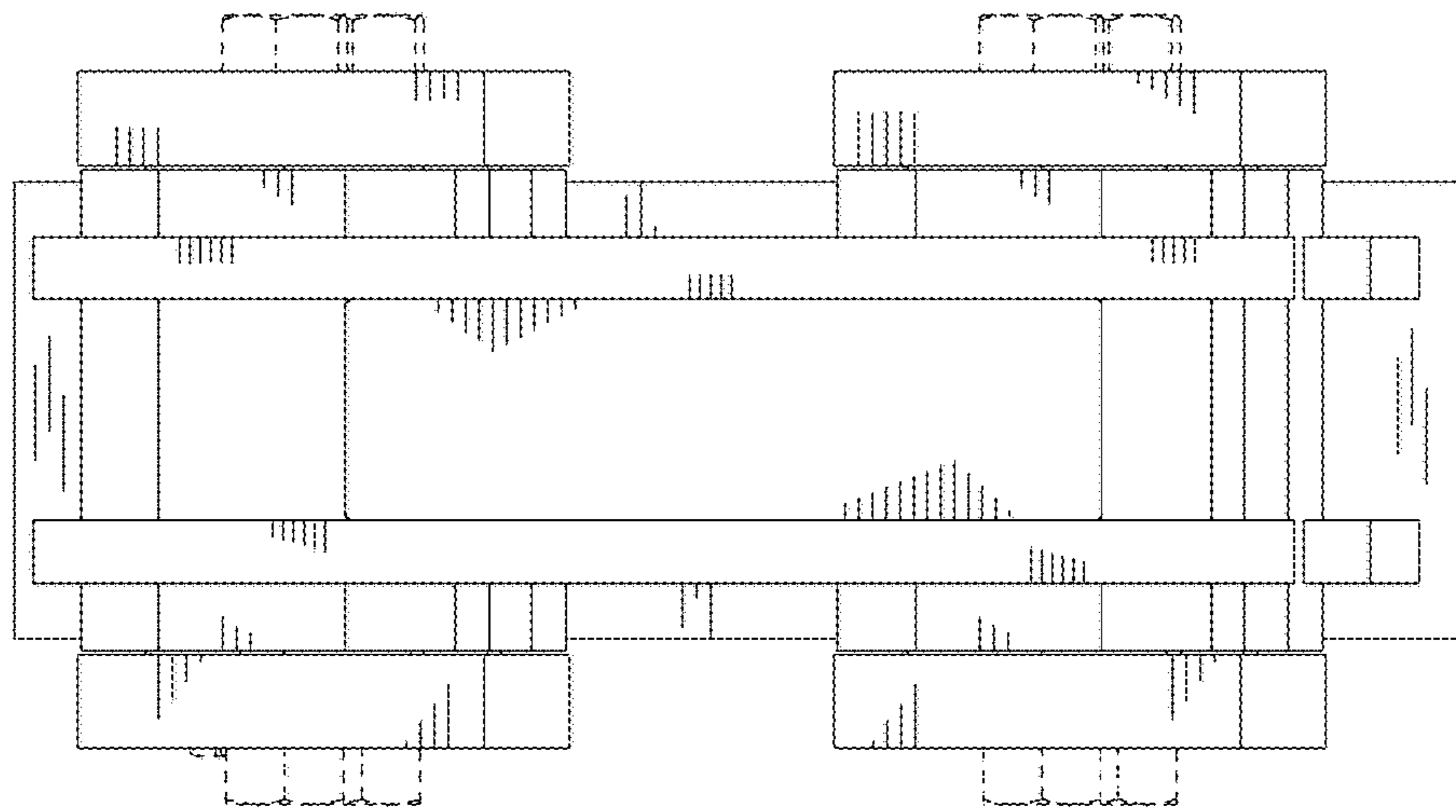


Fig. 7

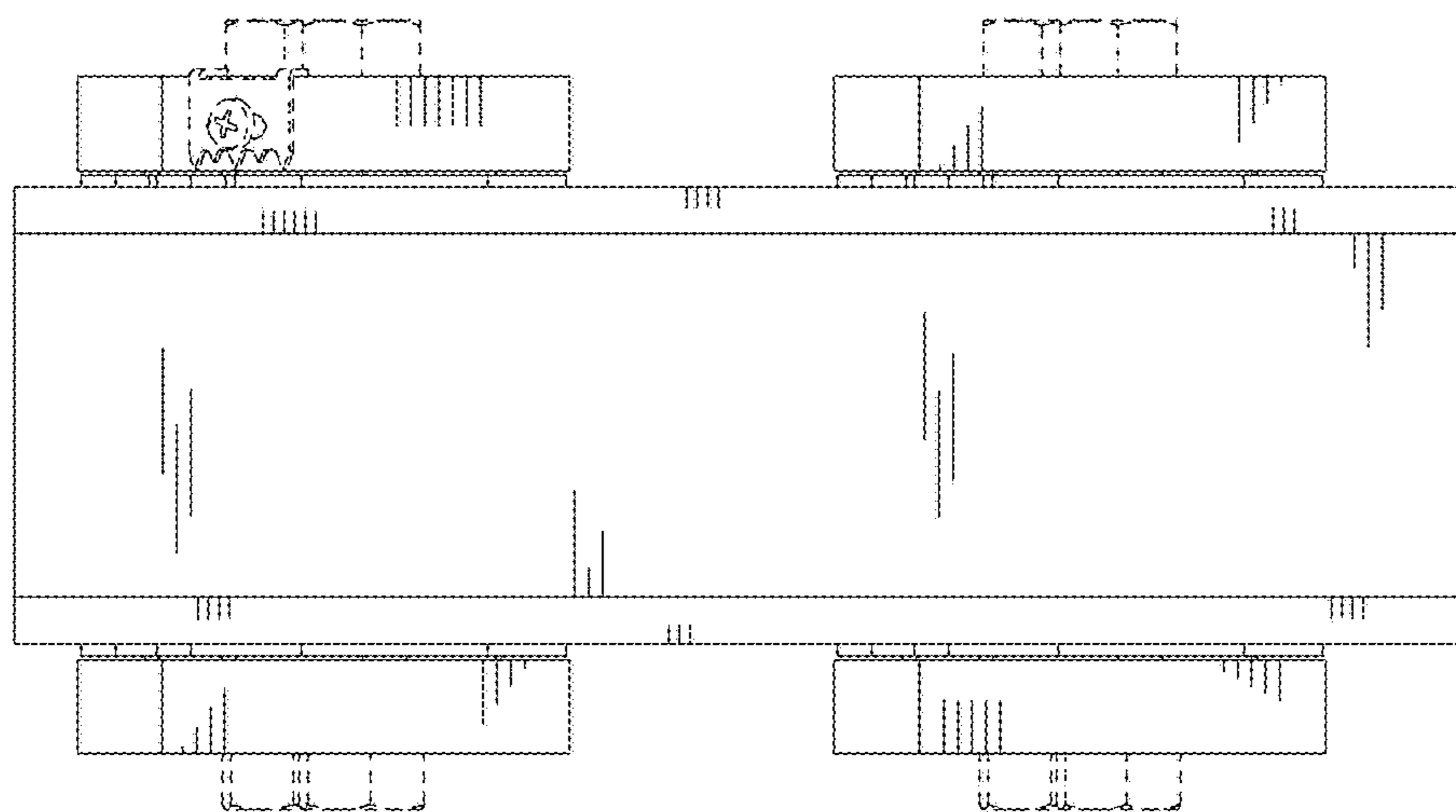


Fig. 6



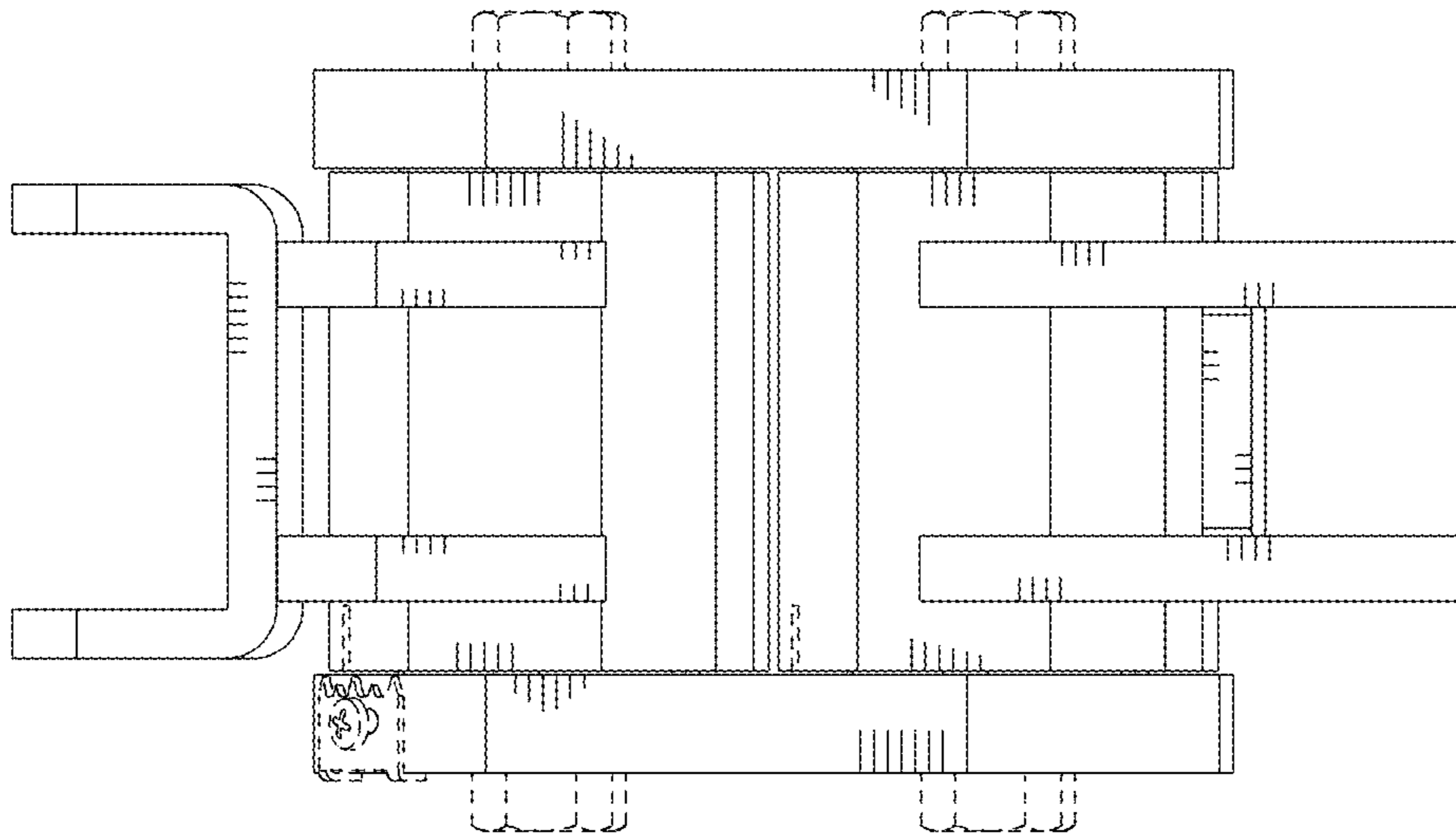


Fig. 8

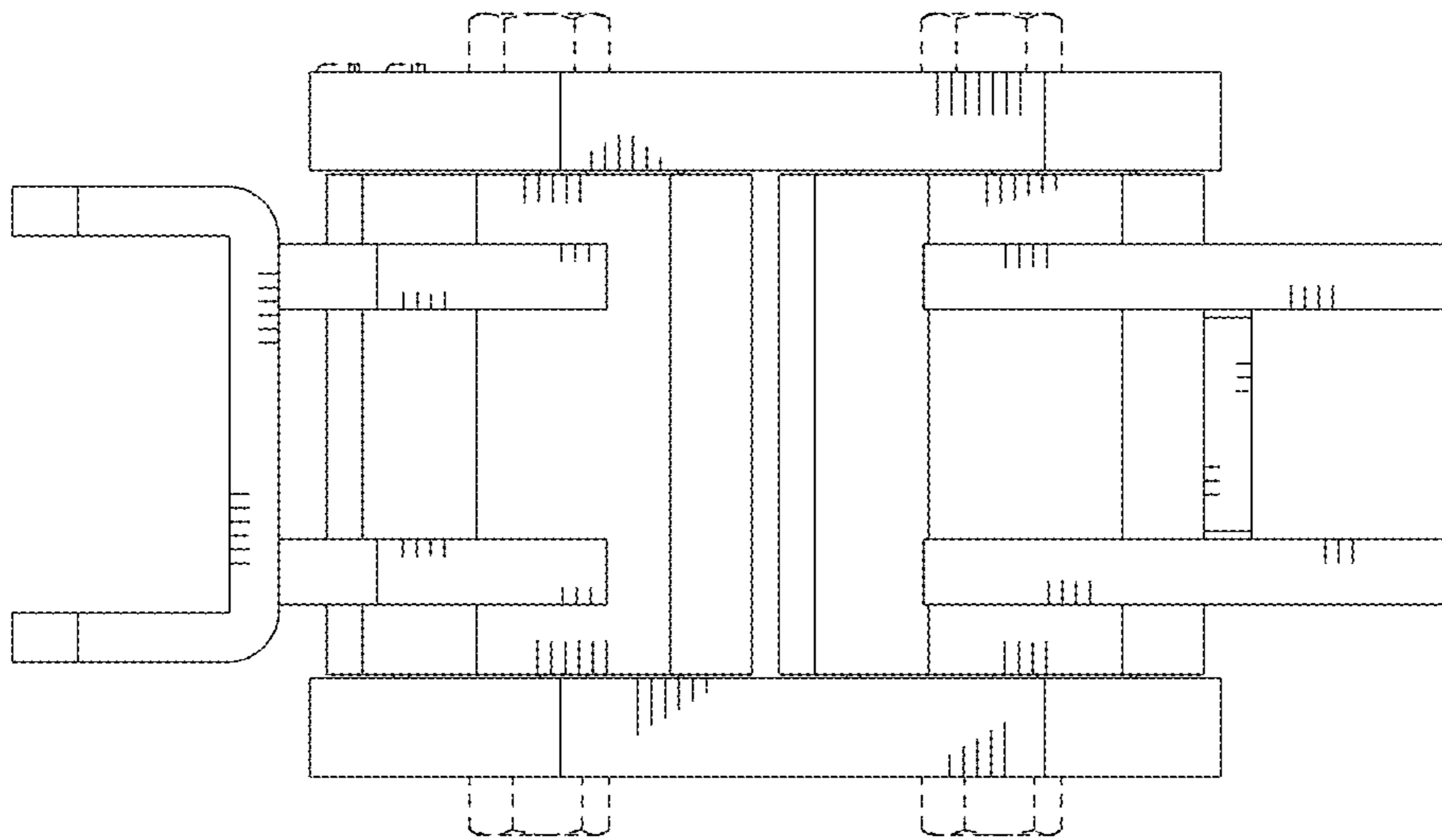


Fig. 9