



US00D864799S

(12) **United States Design Patent** (10) **Patent No.:** **US D864,799 S**  
**Colletti** (45) **Date of Patent:** **\*\* Oct. 29, 2019**

(54) **TIRE LIFTING AND ALIGNMENT APPARATUS**

(71) Applicant: **Peter Colletti**, Prospect Heights, IL (US)

(72) Inventor: **Peter Colletti**, Prospect Heights, IL (US)

(\*\*) Term: **15 Years**

(21) Appl. No.: **29/625,129**

(22) Filed: **Nov. 7, 2017**

(51) **LOC (12) Cl.** ..... **12-16**

(52) **U.S. Cl.**  
USPC ..... **D12/160**

(58) **Field of Classification Search**  
USPC ..... D12/604, 160, 161, 162, 223, 400;  
D8/14, 31, 341, 330  
CPC ..... B60B 29/001; B60B 29/002; B60B 35/18;  
B60B 37/00; B60G 21/045  
See application file for complete search history.

(56) **References Cited**

**U.S. PATENT DOCUMENTS**

2,260,574 A \* 10/1941 Martin ..... B60G 5/02  
280/677  
3,649,976 A 3/1972 Isom  
D255,230 S \* 6/1980 Marti ..... D12/160  
4,602,415 A \* 7/1986 Garcia ..... B60B 29/001  
29/273  
D289,277 S \* 4/1987 Horberg ..... D12/160

(Continued)

**FOREIGN PATENT DOCUMENTS**

CH 360915 A 4/1962  
CN 102275462 A 12/2011

(Continued)

**OTHER PUBLICATIONS**

AXLETRAC Alignment Tools website, <http://www.axletracalignment-tools.com/our-products/>.

*Primary Examiner* — Michelle E. Wilson

*Assistant Examiner* — Clese Moore, Jr.

(74) *Attorney, Agent, or Firm* — Lesley A. Wallerstein, LLC

(57) **CLAIM**

The ornamental design for a tire lifting and alignment apparatus, as shown and described.

**DESCRIPTION**

FIG. 1 is a perspective view of a tire lifting and alignment apparatus according to the present invention. The automobile and tire depicted in phantom are shown for environmental context only, and form no part of the claimed design. FIG. 2 is a close-up perspective view of the tire lifting and alignment apparatus of FIG. 1. The automobile and tire depicted in phantom are shown for environmental context only, and form no part of the claimed design.

FIG. 3 is an exploded perspective view of the tire lifting and alignment apparatus of FIG. 1.

FIG. 4 is a right view of the tire lifting and alignment apparatus of FIG. 1.

FIG. 5 is a left view of the tire lifting and alignment apparatus of FIG. 1.

FIG. 6 is a front view of the tire lifting and alignment apparatus of FIG. 1.

FIG. 7 is a top view of the tire lifting and alignment apparatus of FIG. 1.

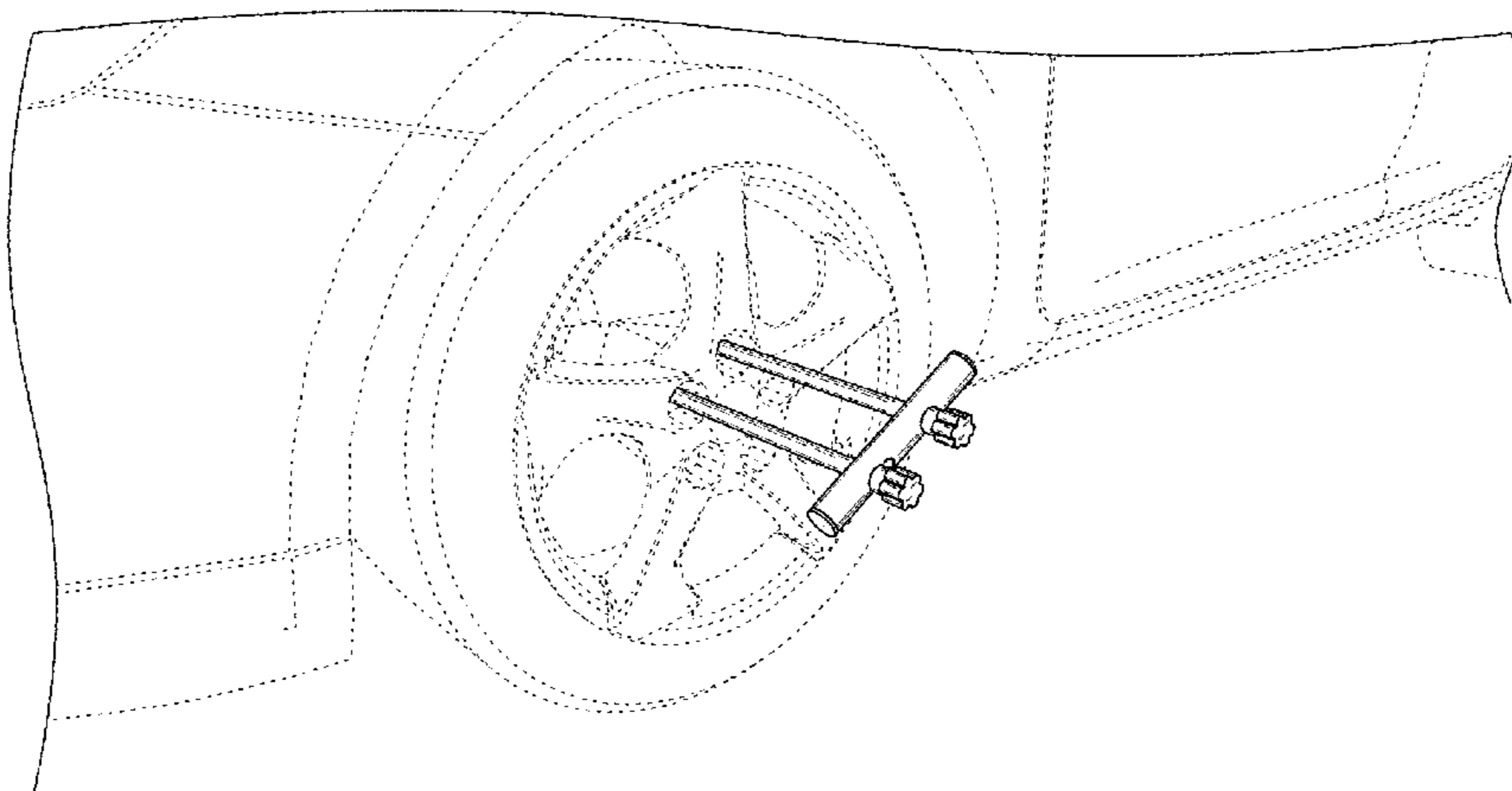
FIG. 8 is a bottom view of the tire lifting and alignment apparatus of FIG. 1.

FIG. 9 is an alternative front view of the tire lifting and alignment apparatus of FIG. 1.

FIG. 10 is a top view of the tire lifting and alignment apparatus of FIG. 1; and,

FIG. 11 is an alternative bottom view of the tire lifting and alignment apparatus of FIG. 1.

**1 Claim, 8 Drawing Sheets**



(56)

**References Cited**

U.S. PATENT DOCUMENTS

4,872,694 A \* 10/1989 Griesinger ..... B60B 29/002  
280/79.4

D343,997 S 2/1994 Smith

D368,416 S \* 4/1996 Holman ..... D8/14

D404,704 S \* 1/1999 Adams ..... D12/223

5,897,171 A 4/1999 Seifert

D436,562 S \* 1/2001 Richardson ..... D12/604

6,298,535 B1 10/2001 Lower

6,341,411 B1 \* 1/2002 Lower ..... B60B 29/001  
29/273

D463,333 S \* 9/2002 McCoy ..... D12/162

D487,683 S \* 3/2004 Kliskey ..... D8/31

D496,610 S \* 9/2004 Belair ..... D12/160

D622,567 S \* 8/2010 Maldonado ..... D34/28

D623,576 S \* 9/2010 Lemieux ..... D12/223

D649,496 S \* 11/2011 Hubbuch ..... D12/160

D692,802 S \* 11/2013 Tollenaere ..... D12/162

D828,239 S \* 9/2018 Williams ..... D12/162

2009/0045602 A1 \* 2/2009 Khan ..... G01B 5/255  
280/405.1

2009/0123258 A1 5/2009 Campbell

2012/0266429 A1 10/2012 Sugito

FOREIGN PATENT DOCUMENTS

CN 203432804 U 2/2014

GB 723297 A 2/1955

GB 2220174 A 1/1990

\* cited by examiner

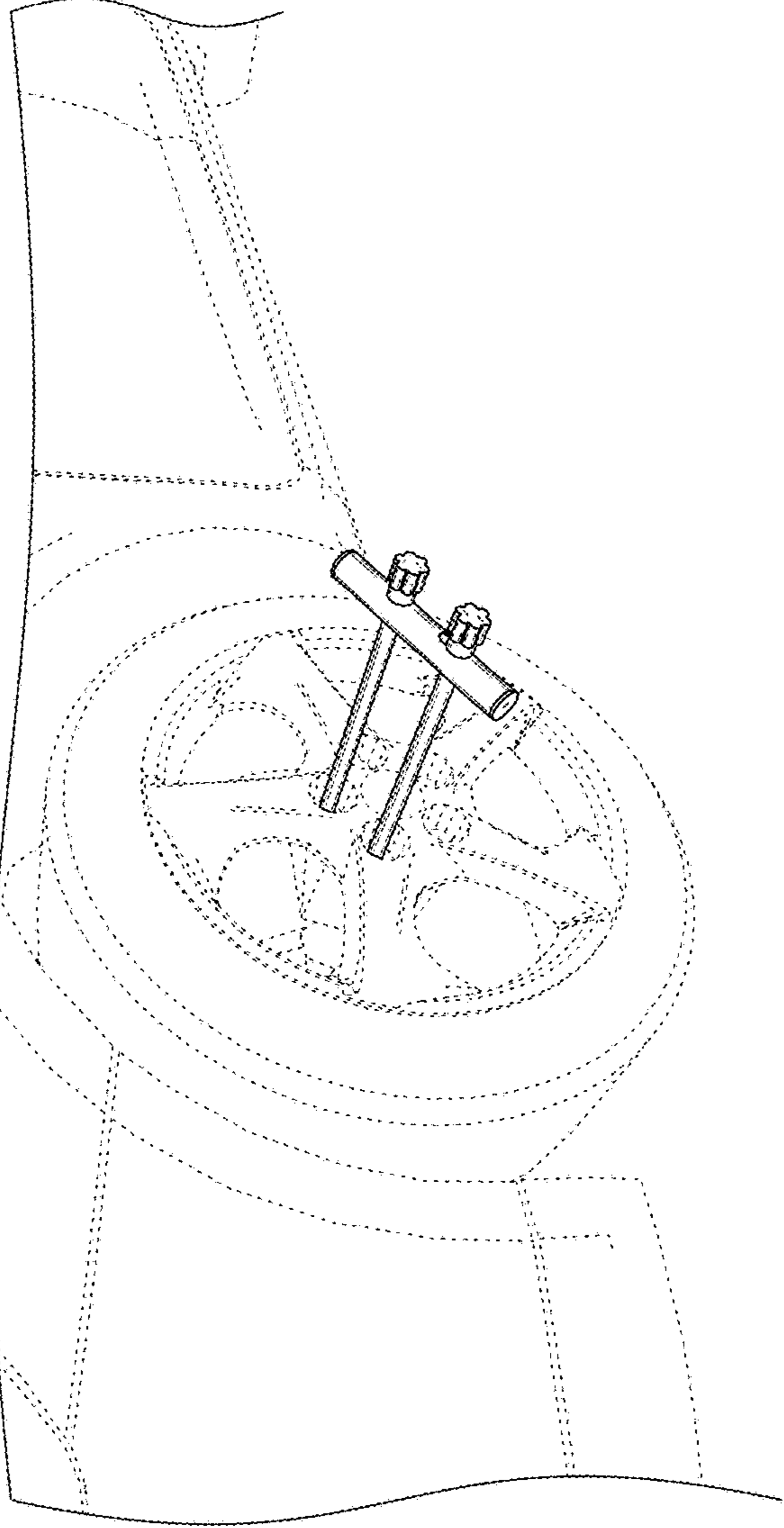


FIG. 1

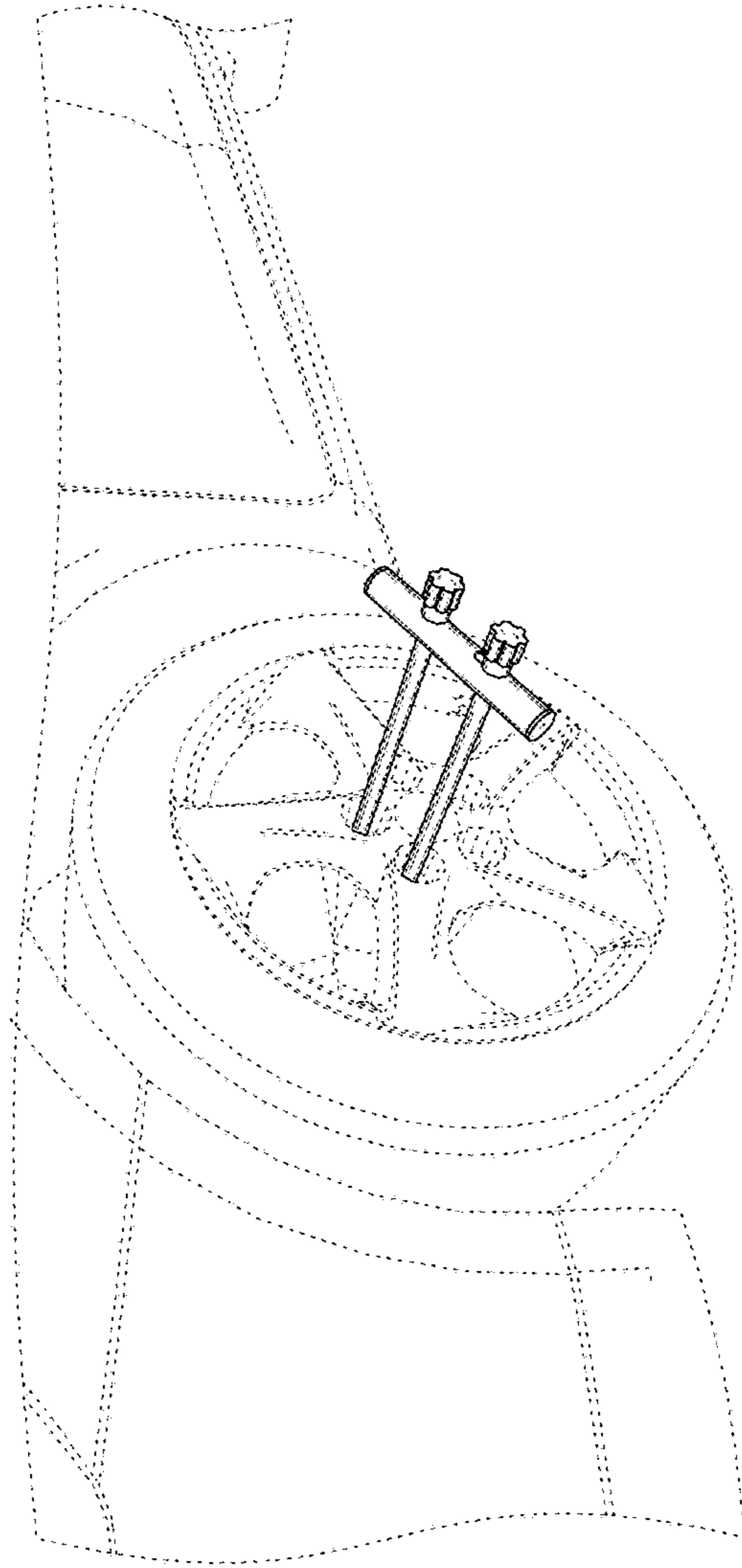
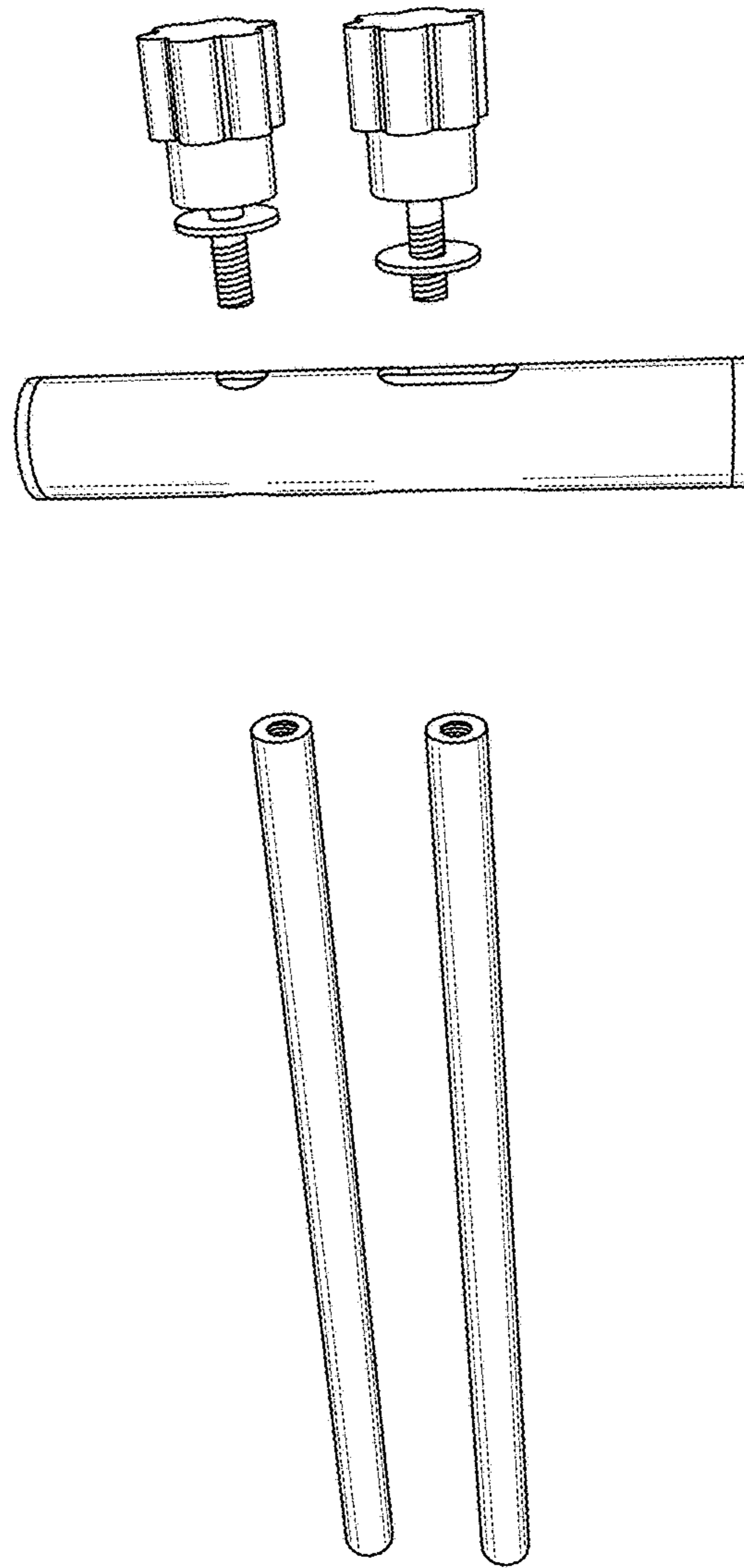
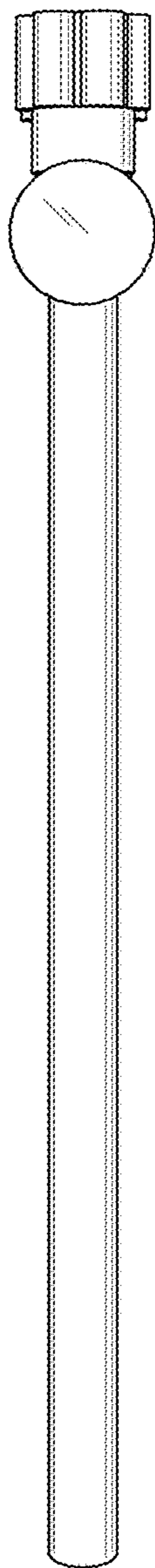


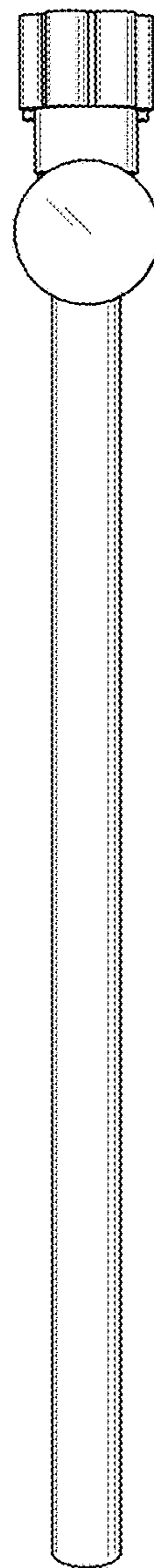
FIG. 2



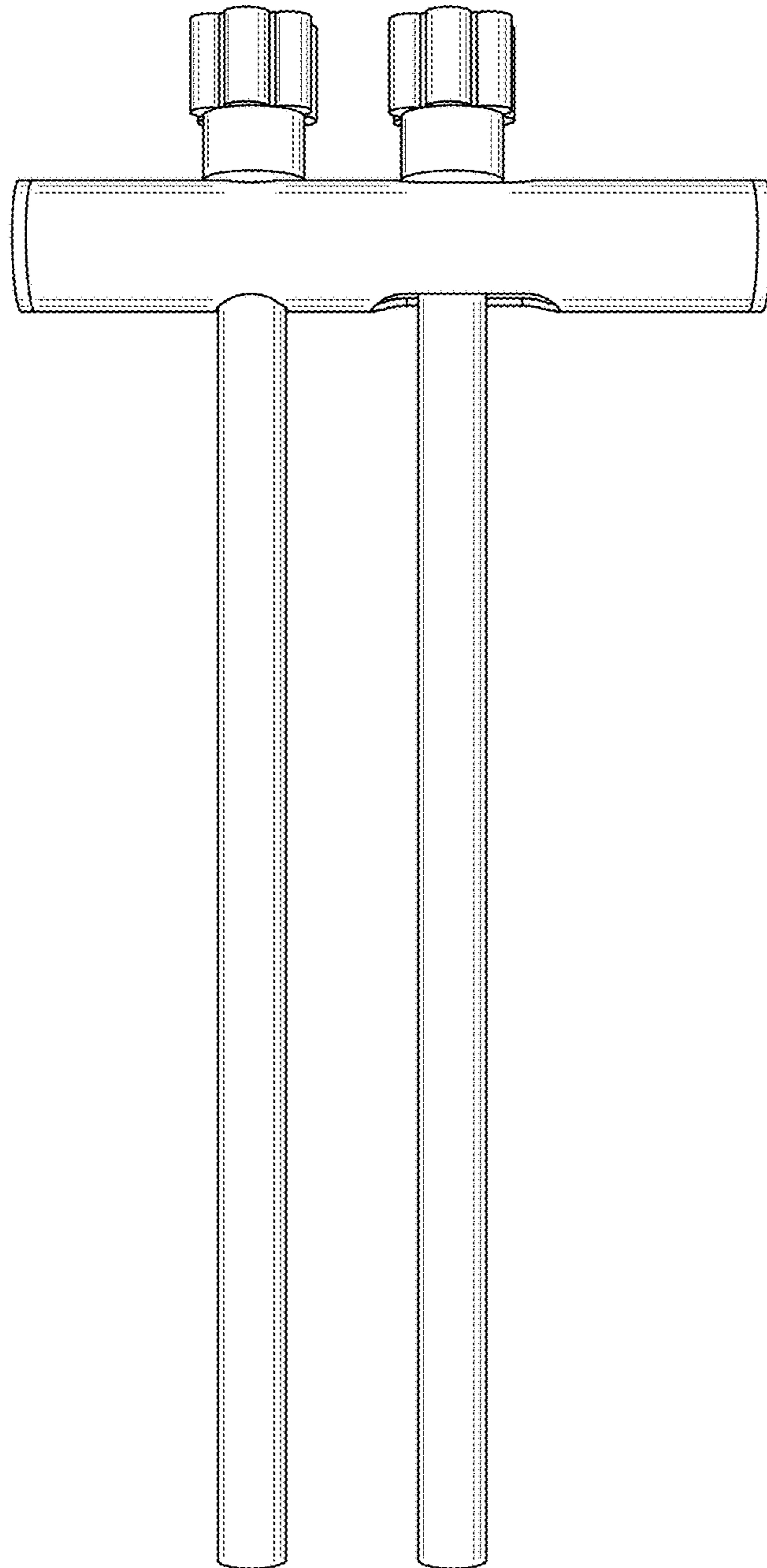
**FIG. 3**



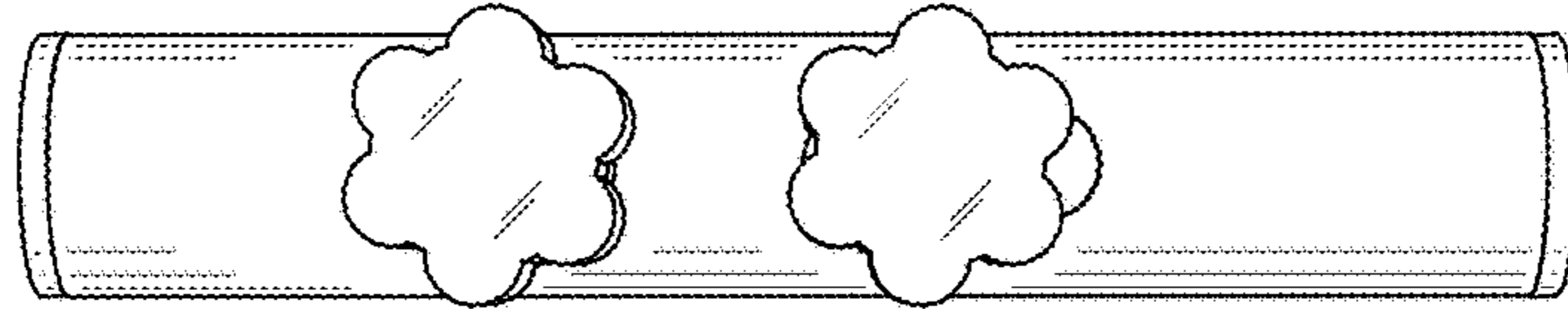
**FIG. 4**



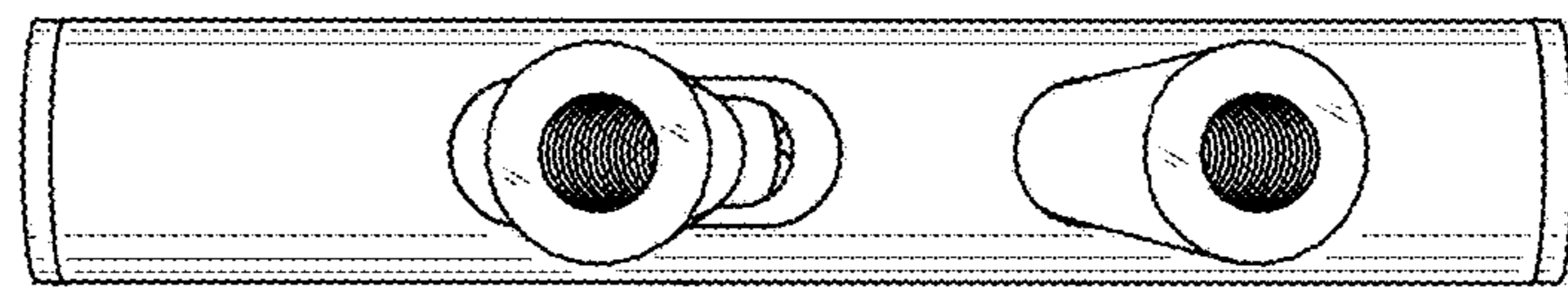
**FIG. 5**



**FIG. 6**

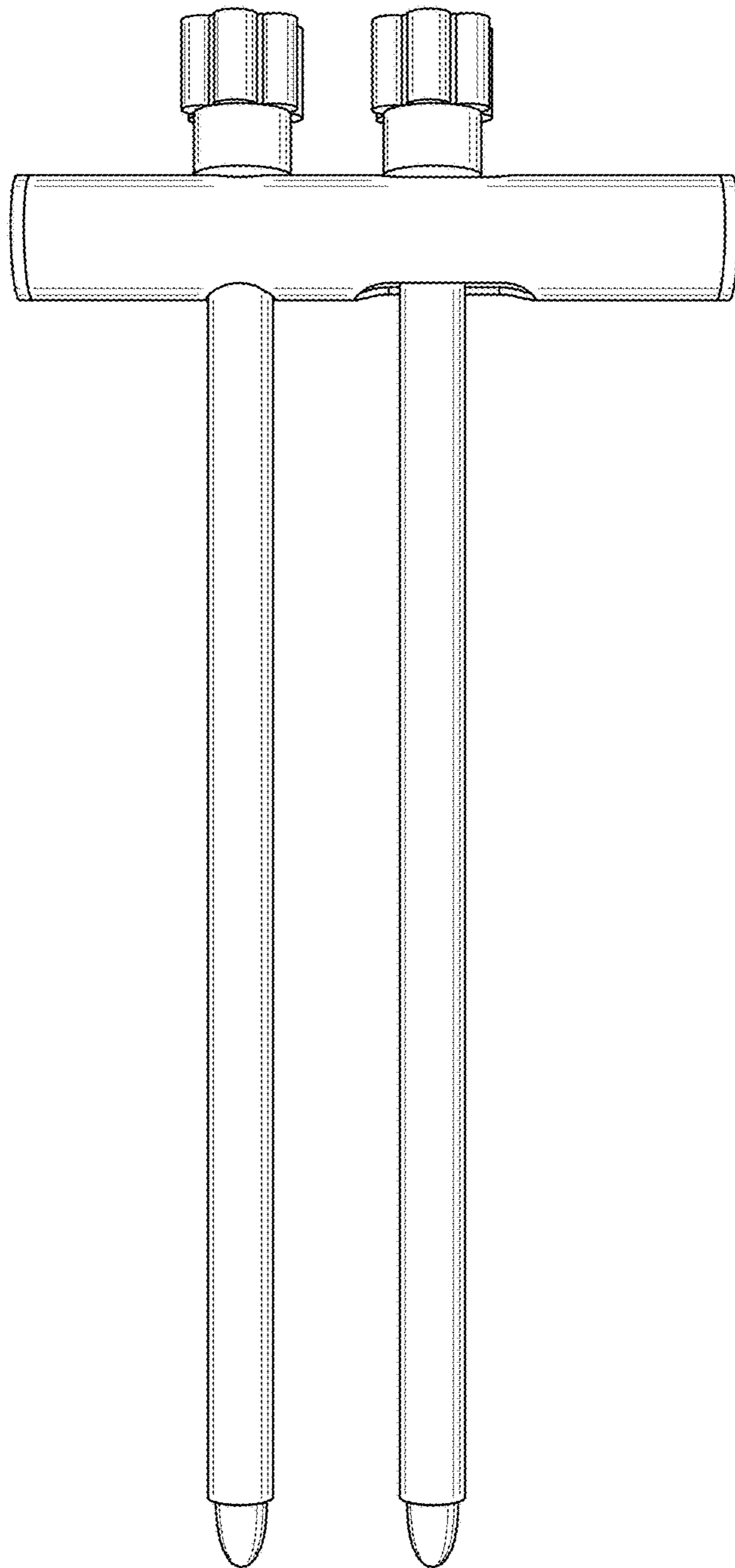


**FIG. 7**

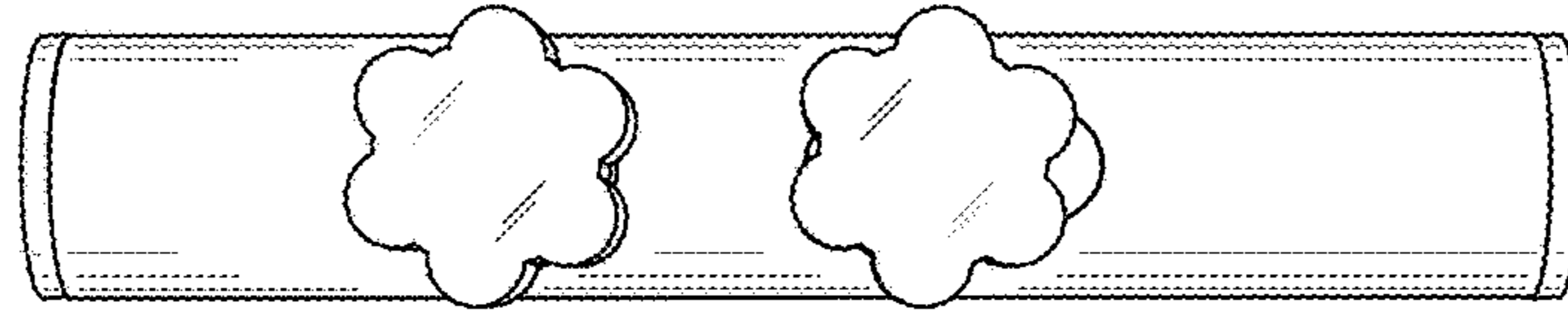


**FIG. 8**

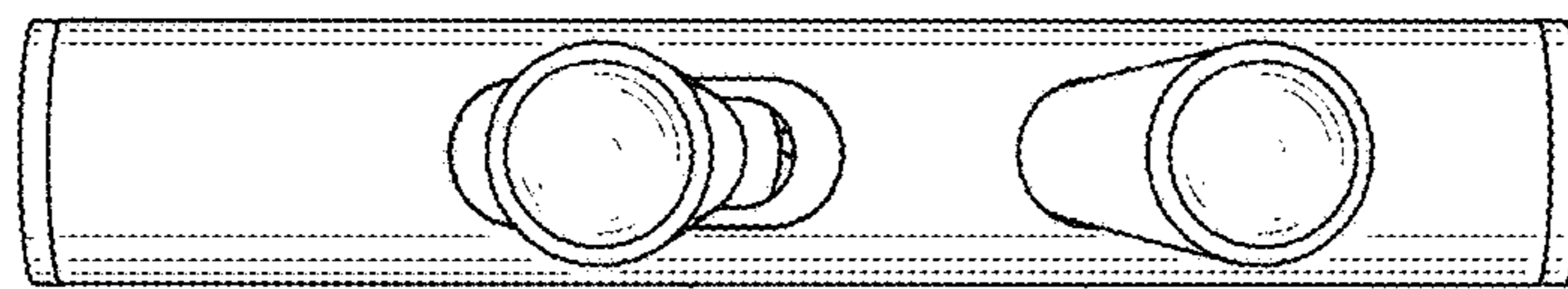




**FIG. 9**



**FIG. 10**



**FIG. 11**