

US00D864798S

(12) **United States Design Patent** (10) **Patent No.:** **US D864,798 S**
Sun (45) **Date of Patent:** **** Oct. 29, 2019**

(54) **AUTOMOTIVE SPINDLE**

FOREIGN PATENT DOCUMENTS

(71) Applicant: **Mike Sun**, Anaheim, CA (US)

JP 2017128244 A * 7/2017 B62D 7/18

(72) Inventor: **Mike Sun**, Anaheim, CA (US)

* cited by examiner

(**) Term: **15 Years**

Primary Examiner — Sheryl Lane

Assistant Examiner — Calvin E Vansant

(21) Appl. No.: **29/613,743**

(74) *Attorney, Agent, or Firm* — Pasadena Legal Group;
Norman R. Van Treeck

(22) Filed: **Aug. 13, 2017**

(57) **CLAIM**

(51) **LOC (12) Cl.** **12-16**

The ornamental design of an automotive spindle, as shown and described.

(52) **U.S. Cl.**

USPC **D12/159**

DESCRIPTION

(58) **Field of Classification Search**

USPC D12/159–161, 177, 213, 400; D9/439,
D9/445; D8/396

CPC .. F16C 33/7823; F16C 2326/02; F16C 19/18;
B62D 7/18; B60B 7/0013; B60B 7/002;
B60C 23/003

See application file for complete search history.

FIG. 1 is a top plan view of an automotive spindle according to my new design;

FIG. 2 is a right side elevation view of the automotive spindle shown in FIG. 1;

FIG. 3 is a bottom plan view of the automotive spindle shown in FIG. 1;

FIG. 4 is a left side elevation view of the automotive spindle shown in FIG. 1;

FIG. 5 is a left end elevation view of the automotive spindle shown in FIG. 1;

FIG. 6 is a right end elevation view of the automotive spindle shown in FIG. 1;

FIG. 7 is a right front perspective view of the s automotive spindle; and,

FIG. 8 is a left front perspective view of the automotive spindle.

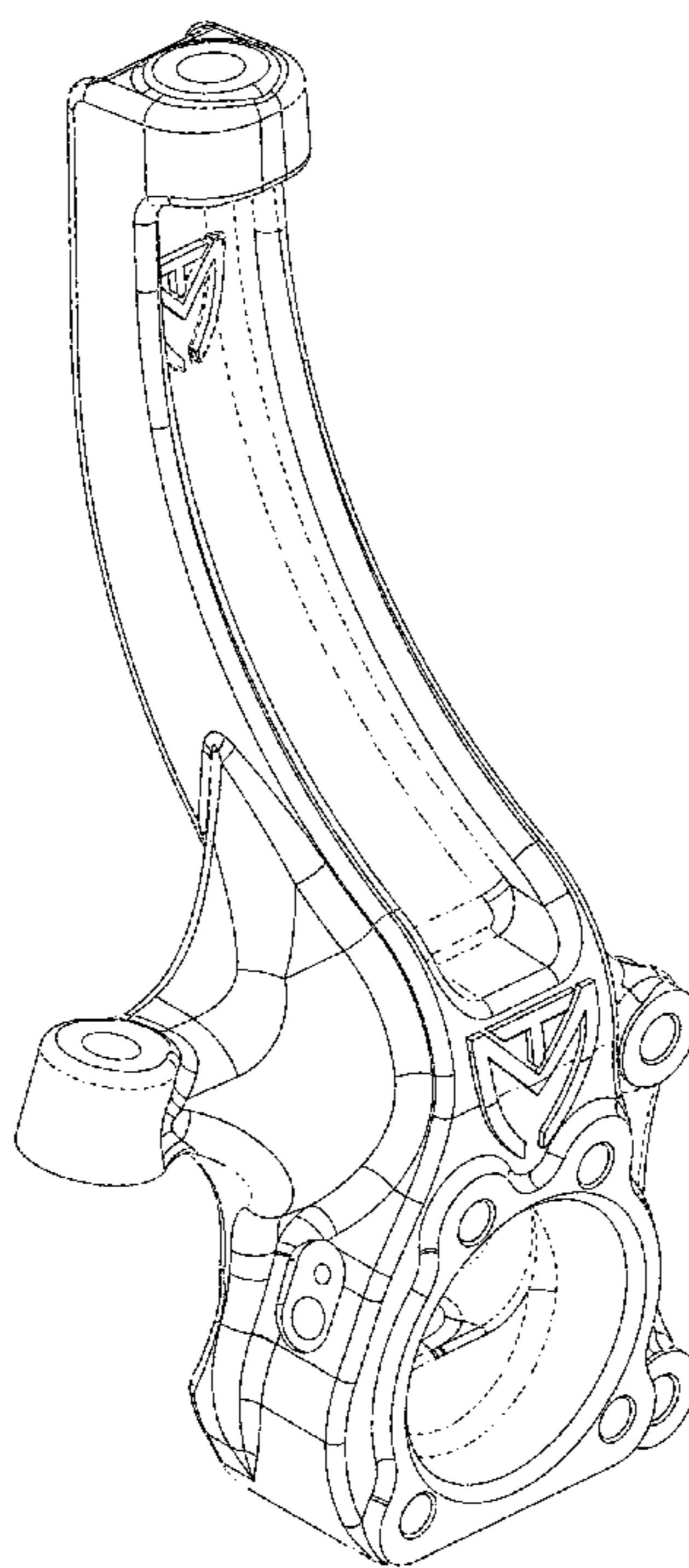
The broken lines depict portions of the automotive spindle that form no part of the claim.

(56) **References Cited**

U.S. PATENT DOCUMENTS

5,829,768 A * 11/1998 Kaneko B21K 1/74
280/93.502
2005/0200094 A1 * 9/2005 Hozumi B60G 3/20
280/124.135
2008/0296860 A1 * 12/2008 Webster B62D 7/18
280/93.512
2015/0360722 A1 * 12/2015 Butlin, Jr. B62D 17/00
280/86.758
2016/0159392 A1 * 6/2016 Hoffmann B22D 19/02
280/93.512

1 Claim, 8 Drawing Sheets



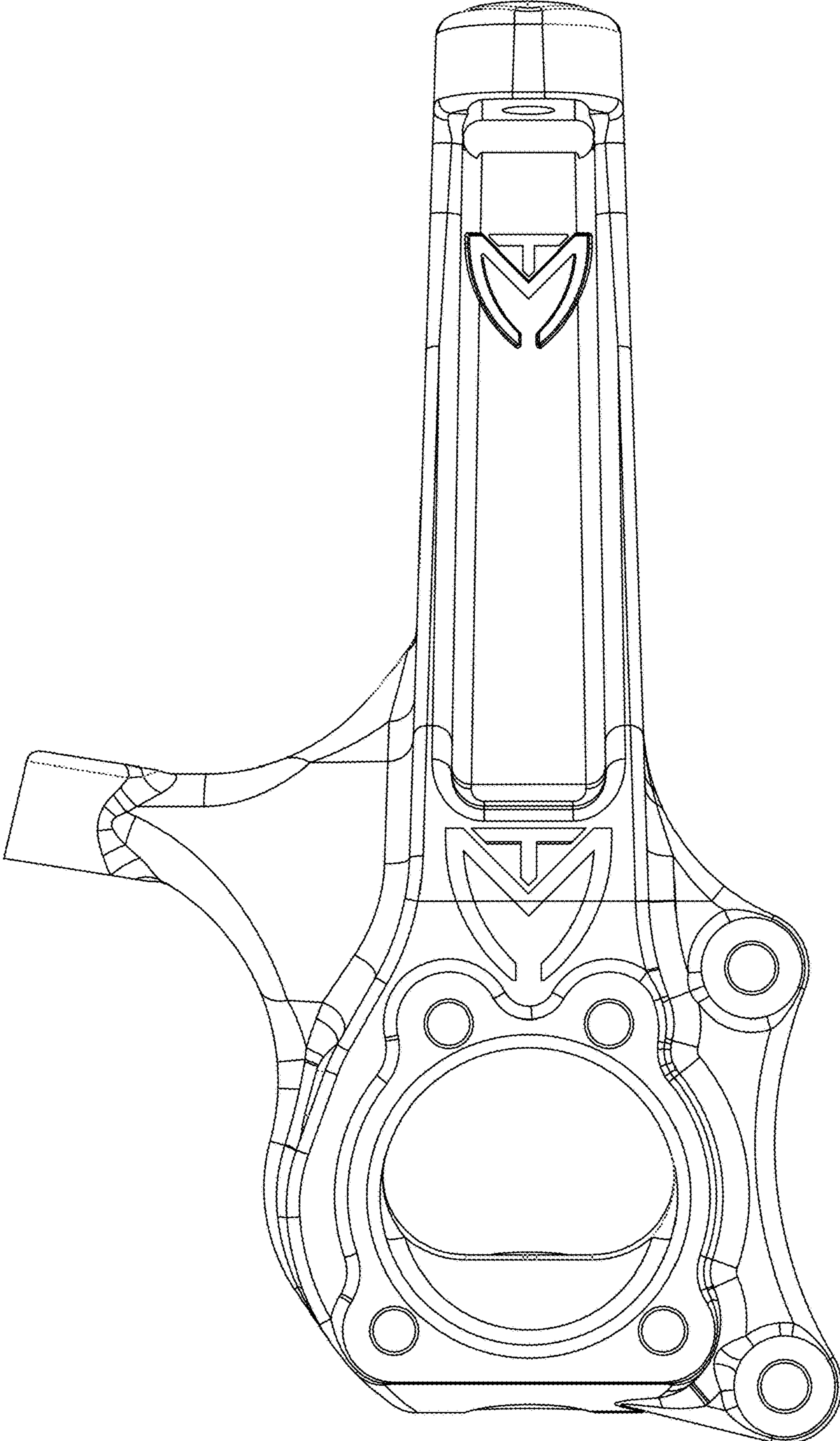


Figure 1

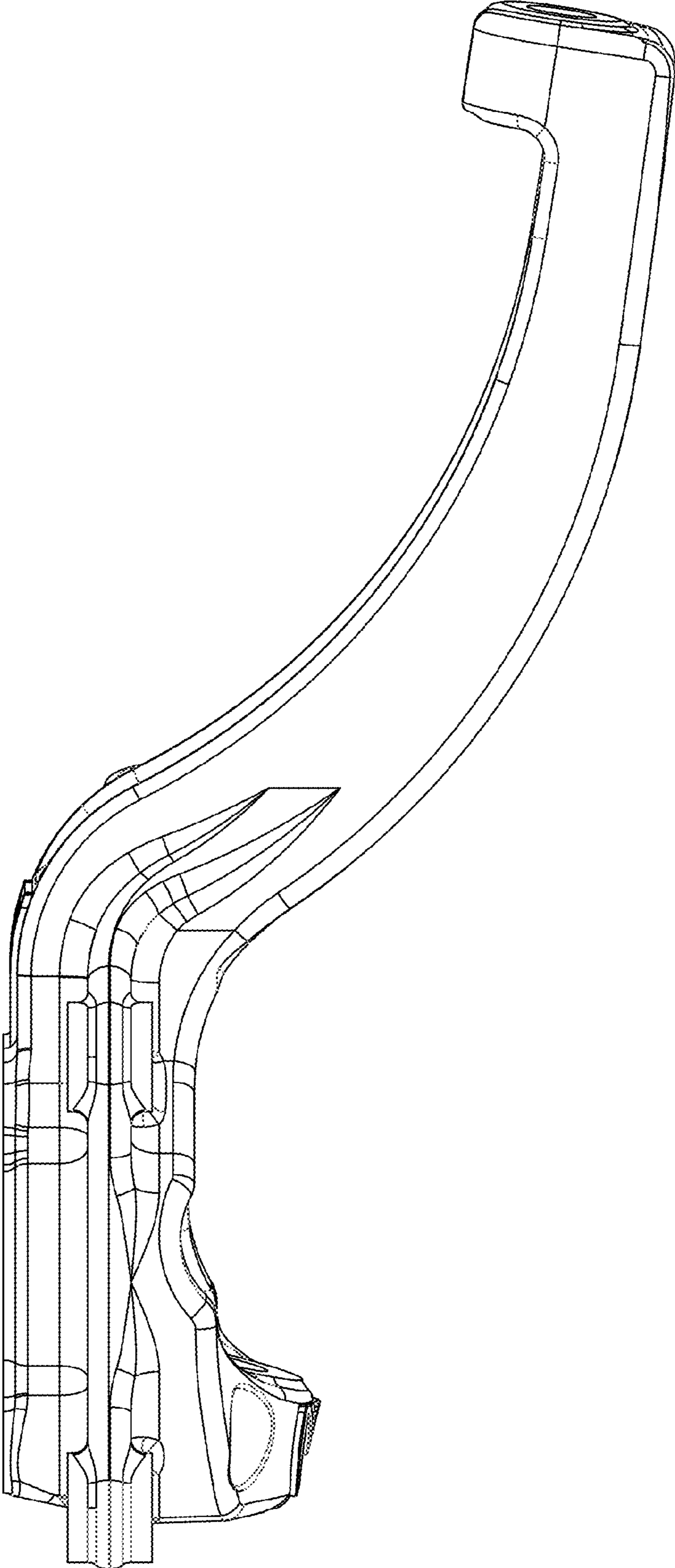


Figure 2

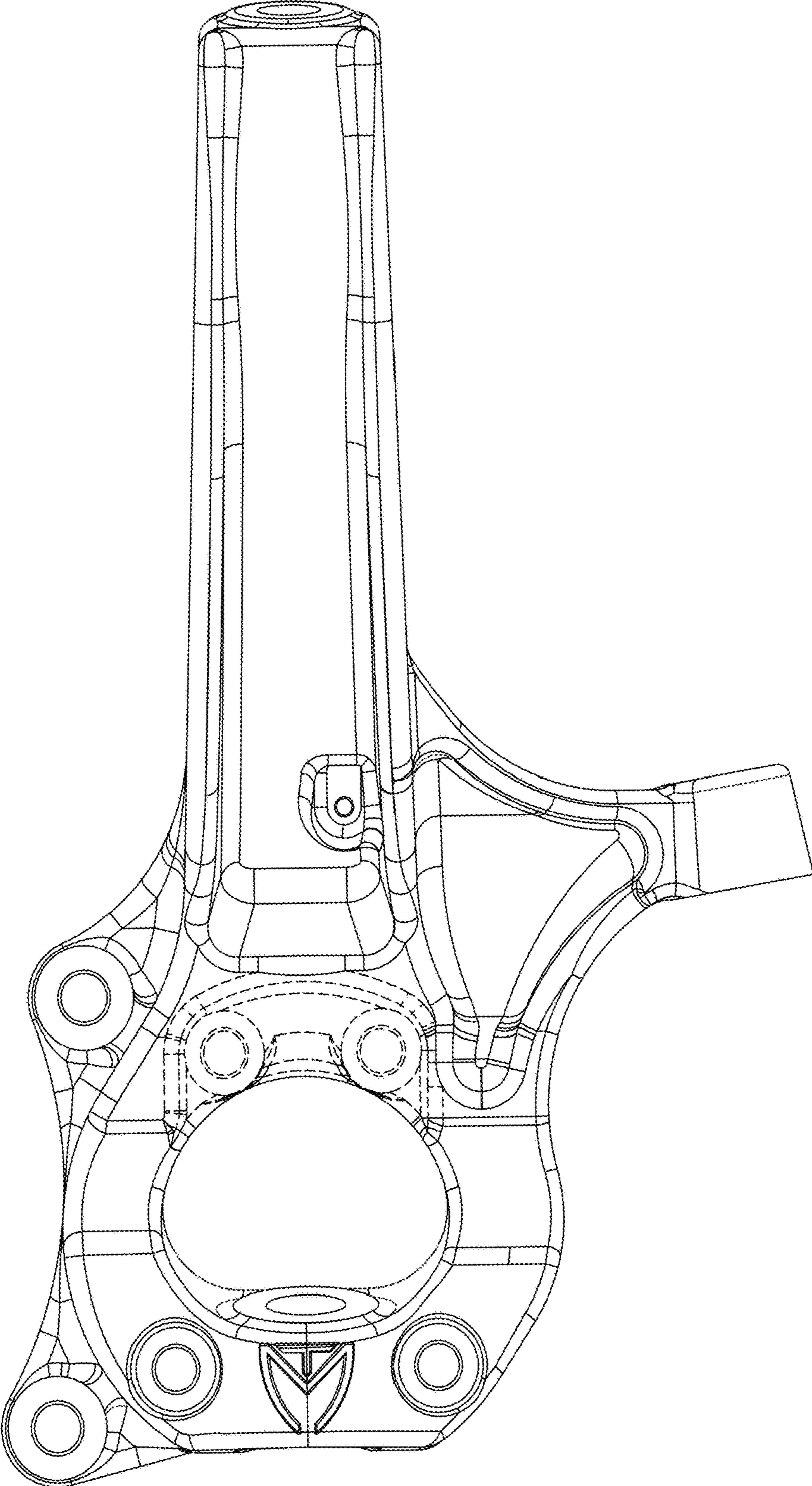


Figure 3

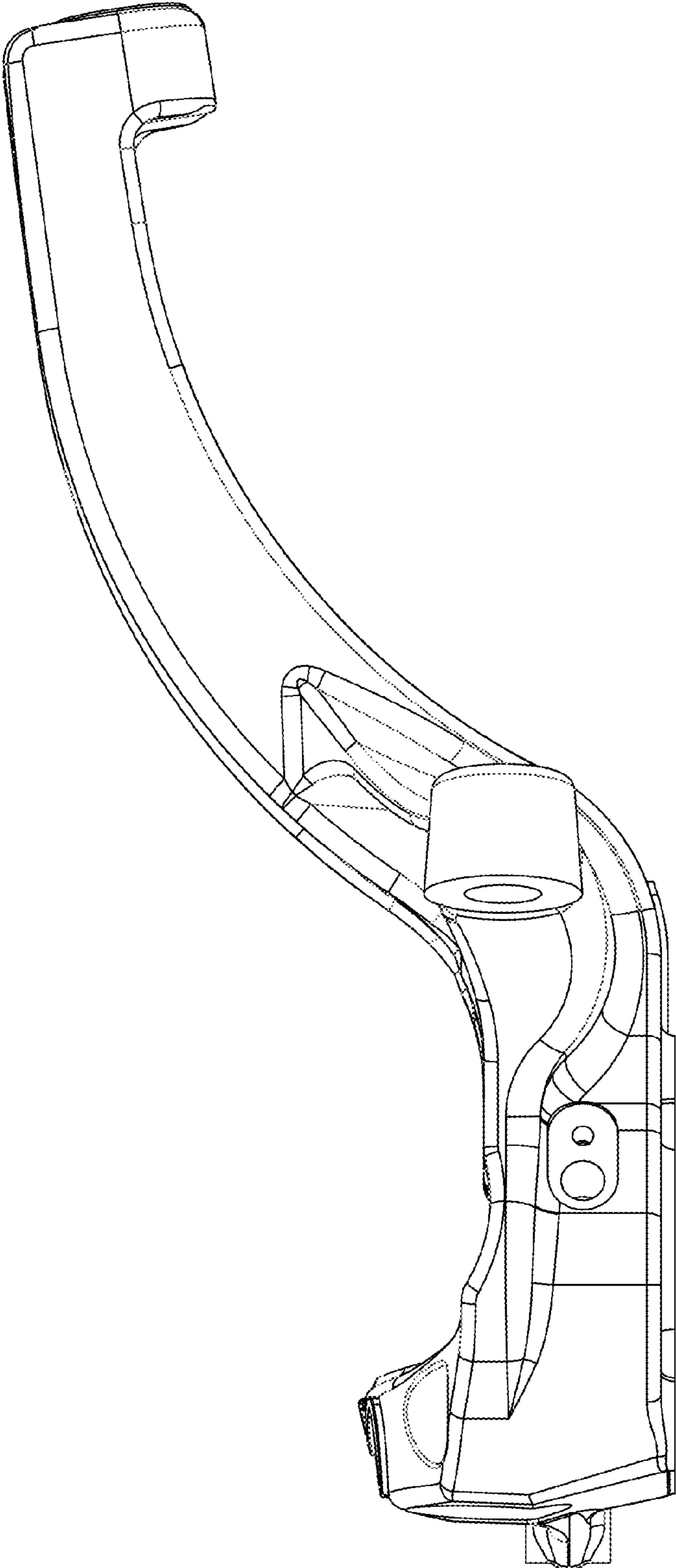


Figure 4

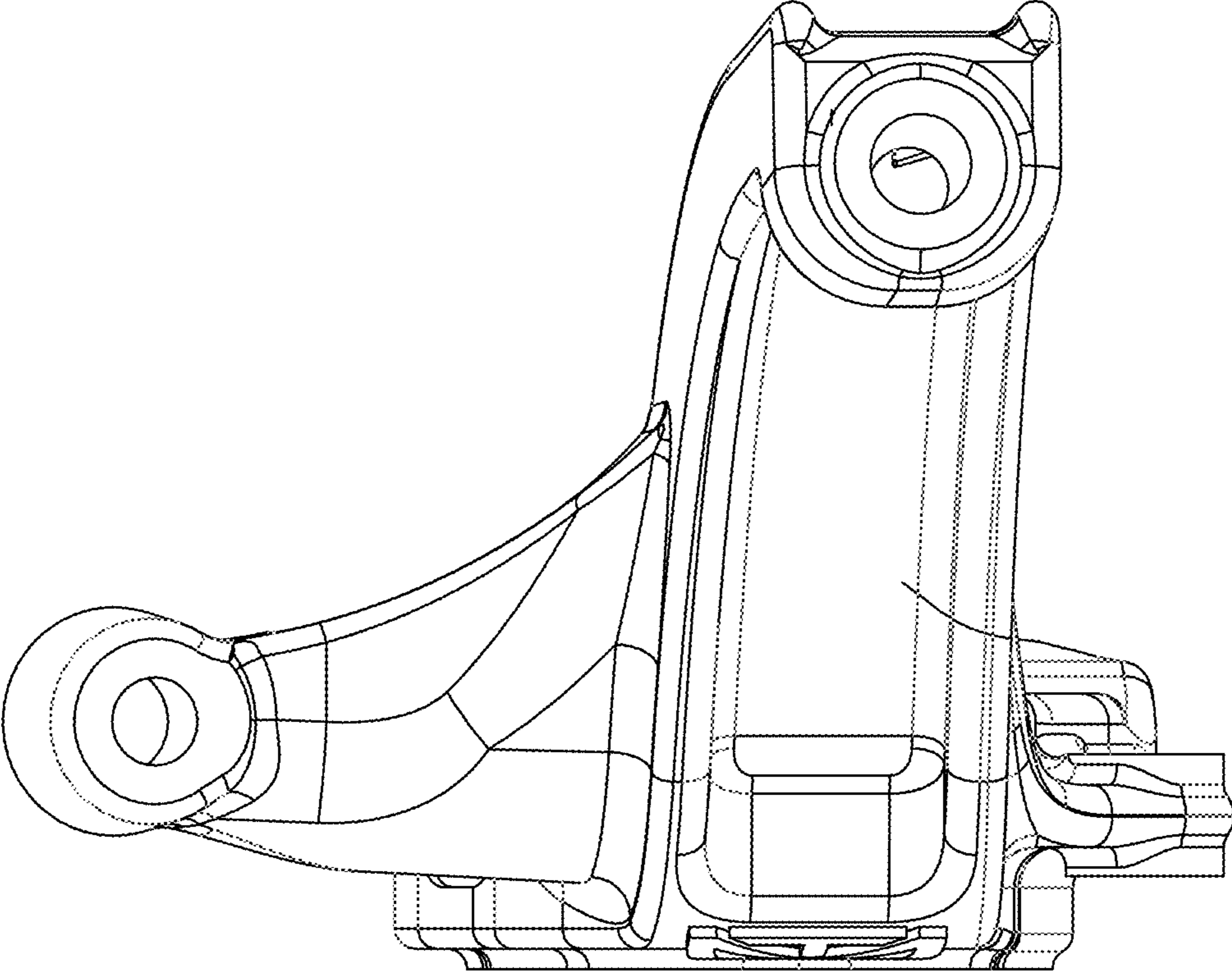


Figure 5

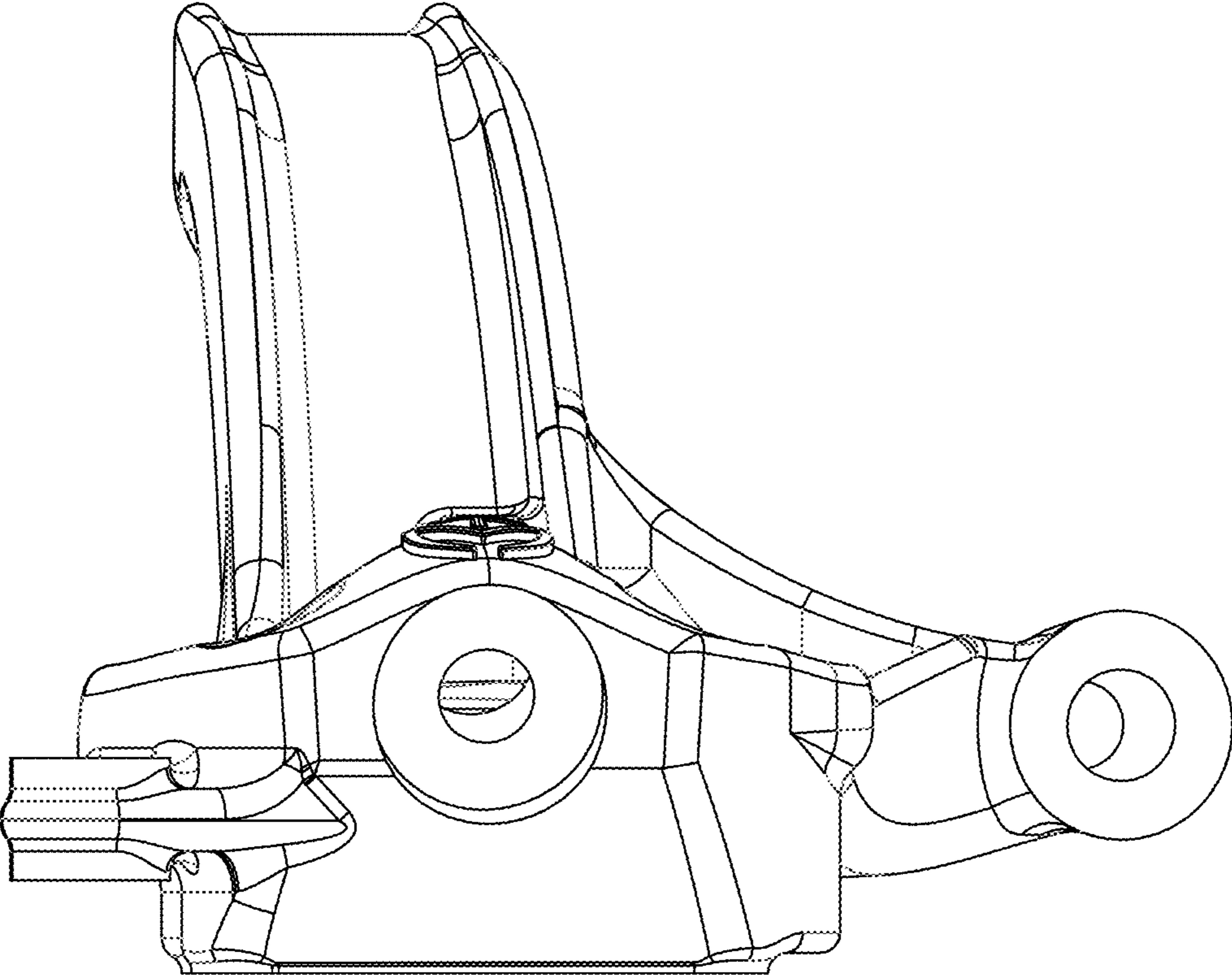


Figure 6

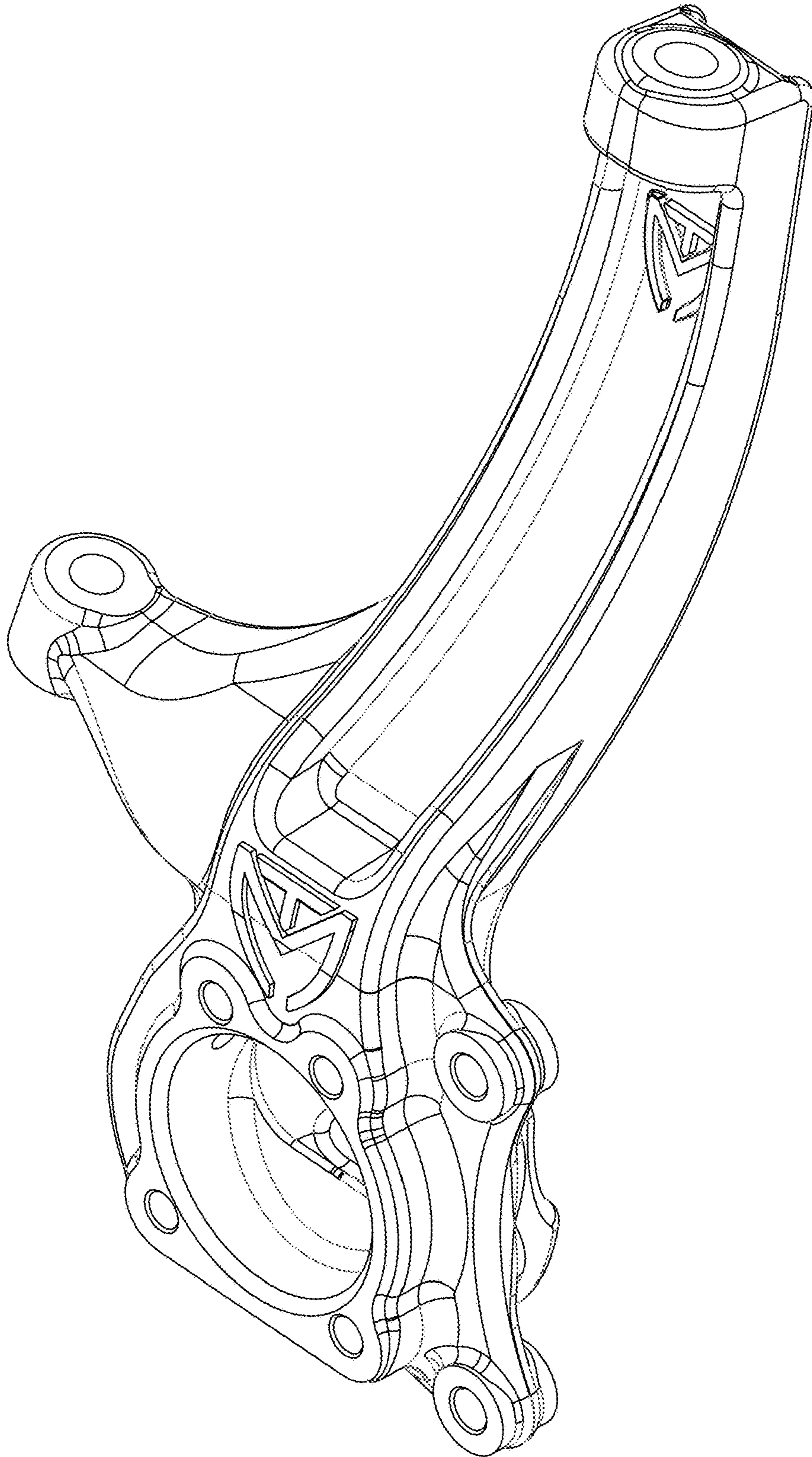


Figure 7

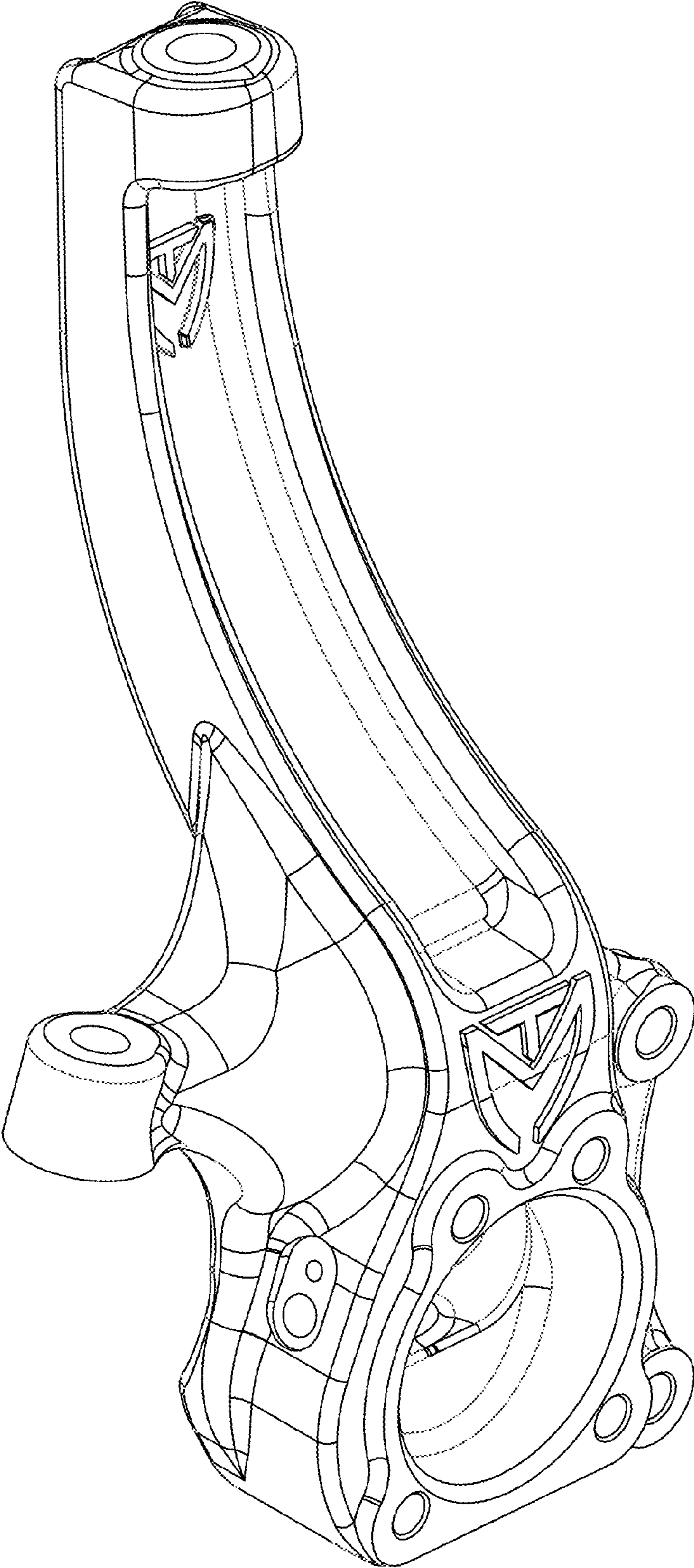


Figure 8