



US00D864797S

(12) **United States Design Patent**  
**Gruber**

(10) **Patent No.:** **US D864,797 S**

(45) **Date of Patent:** **\*\* Oct. 29, 2019**

(54) **SPORTS WHEELCHAIR RIM**

(71) Applicant: **Jason Gruber**, Tampa, FL (US)

(72) Inventor: **Jason Gruber**, Tampa, FL (US)

(\*\*) Term: **15 Years**

(21) Appl. No.: **29/670,302**

(22) Filed: **Nov. 15, 2018**

(51) **LOC (12) Cl.** ..... **12-12**

(52) **U.S. Cl.**  
USPC ..... **D12/133**

(58) **Field of Classification Search**  
USPC ..... D12/128-133  
CPC ..... A61G 5/00-14  
See application file for complete search history.

(56) **References Cited**

U.S. PATENT DOCUMENTS

D31,565 S	9/1899	McCaslin	
D31,566 S	9/1899	McCaslin	
3,656,532 A *	4/1972	Roberts	B60C 3/06 152/455
4,366,964 A	1/1983	Farey	
6,120,047 A	9/2000	Axelsson	
6,276,705 B1	8/2001	Baldwin	
7,204,503 B2 *	4/2007	Goding	A61G 5/02 280/250.1
7,303,203 B1 *	12/2007	Richter	A61G 5/02 280/250.1
D569,779 S	5/2008	Ireland	
D635,063 S	3/2011	Hildebrant	
D673,091 S	12/2012	Li	
D682,162 S	5/2013	Hildebrant	
D703,604 S	4/2014	Milicevic	
D721,018 S	1/2015	Jurkiewicz	
9,254,230 B2	2/2016	Filler	
D785,511 S	5/2017	Barenbrug	
9,700,468 B2	7/2017	Pilotto	

D823,178 S	7/2018	Gruber	
D833,953 S *	11/2018	Hughes	D12/212
2004/0103745 A1 *	6/2004	Willems	A61G 5/02 74/552
2008/0203702 A1 *	8/2008	Noye	A61G 5/02 280/304.1
2012/0297923 A1 *	11/2012	Richter	A61G 5/028 74/558
2013/0264791 A1 *	10/2013	Handel	A61G 5/026 280/250.1
2014/0167489 A1 *	6/2014	Tho	A61G 5/028 301/6.5

\* cited by examiner

*Primary Examiner* — Charles D Hanson

(74) *Attorney, Agent, or Firm* — Larson & Larson, P.A.;  
Justin P. Miller; Frank Liebenow

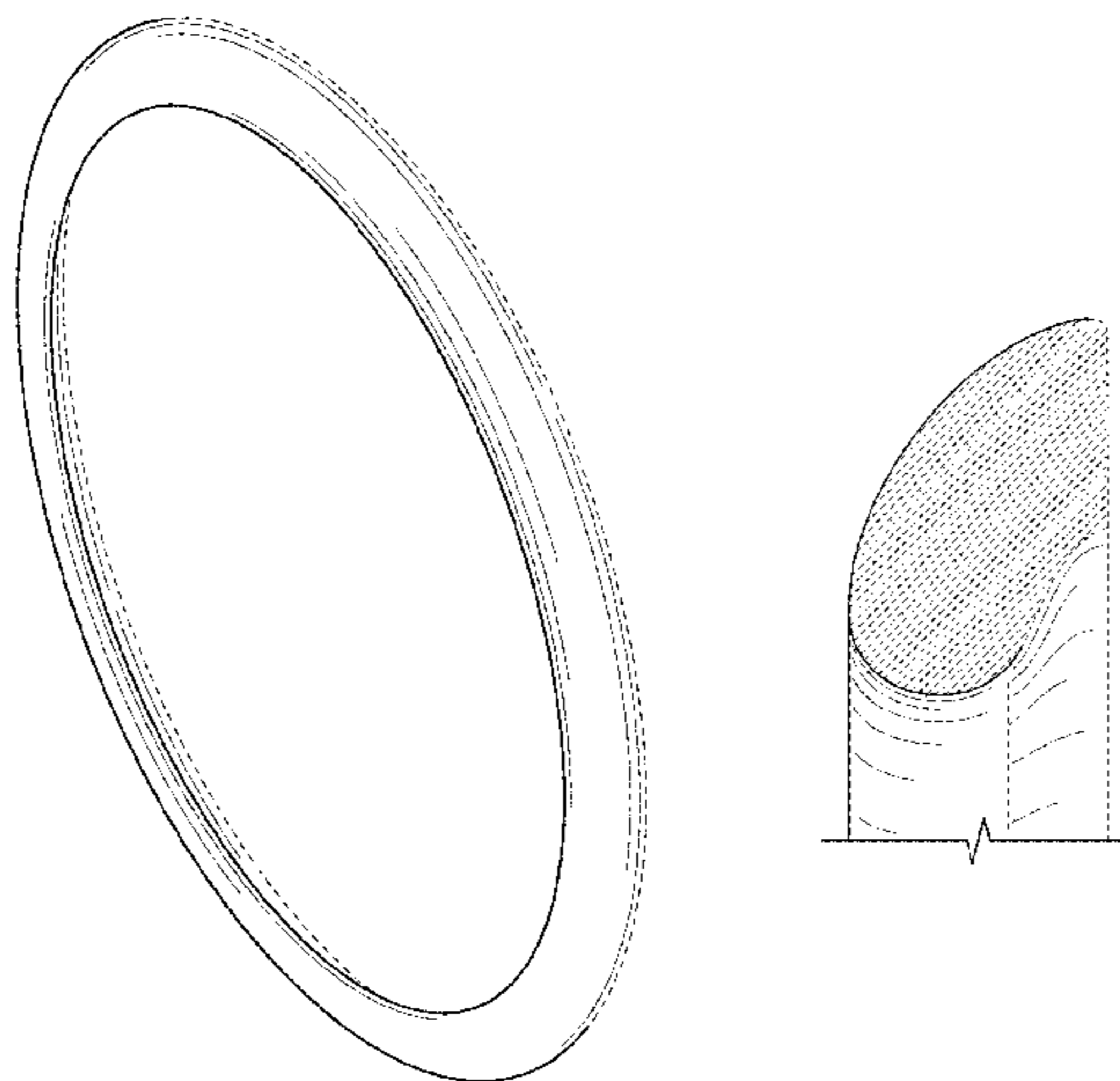
(57) **CLAIM**

I claim the ornamental design for a sports wheelchair rim, as shown and described.

**DESCRIPTION**

FIG. 1 is a perspective view of a sports wheelchair rim showing my new design;  
 FIG. 2 is a front elevation view thereof;  
 FIG. 3 is a back elevation thereof;  
 FIG. 4 is a right-side elevation view thereof;  
 FIG. 5 is a left-side elevation view thereof;  
 FIG. 6 is a top plan view thereof;  
 FIG. 7 is a bottom plan view thereof;  
 FIG. 8 is a cross-section view thereof; and,  
 FIG. 9 is a perspective view thereof, showing the sports wheelchair rim as part of a wheelchair wheel and tire.  
 The broken lines depicting the inner portion of the hand rim in all figures, and a wheelchair wheel and tire in FIG. 9, are for the purpose of illustrating environmental structure and form no part of the claimed design.

**1 Claim, 5 Drawing Sheets**



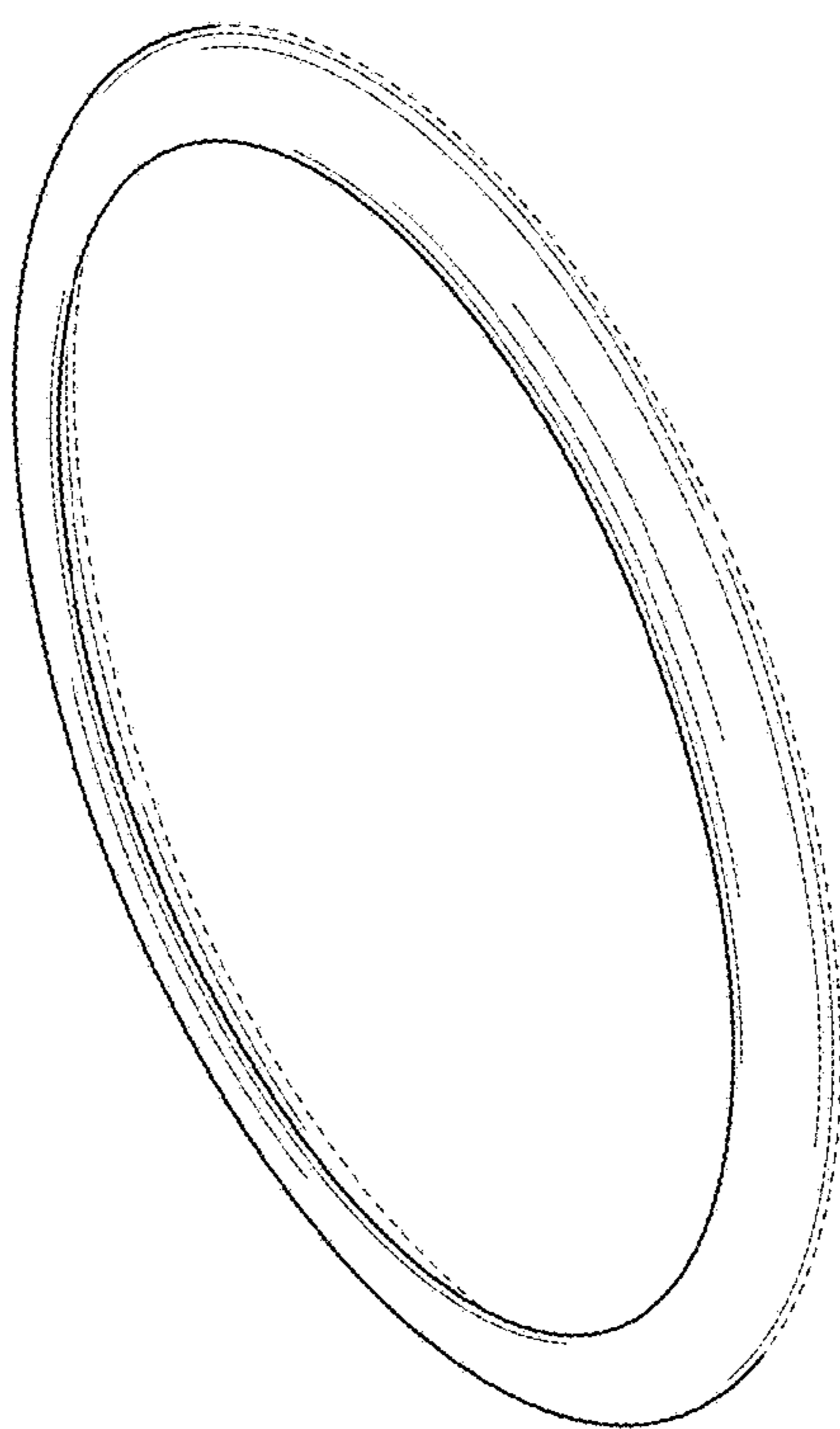


FIG. 1

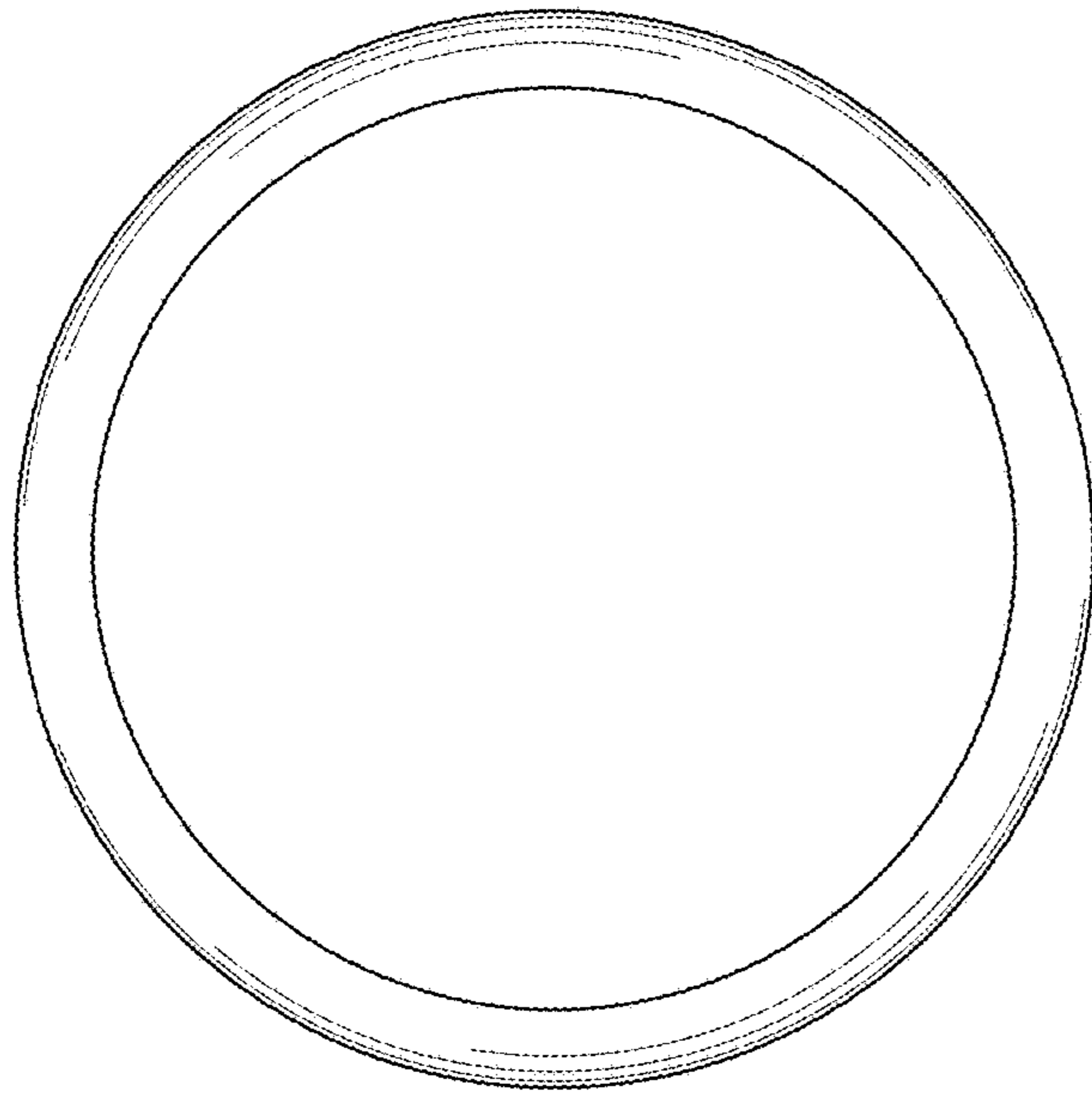


FIG. 2

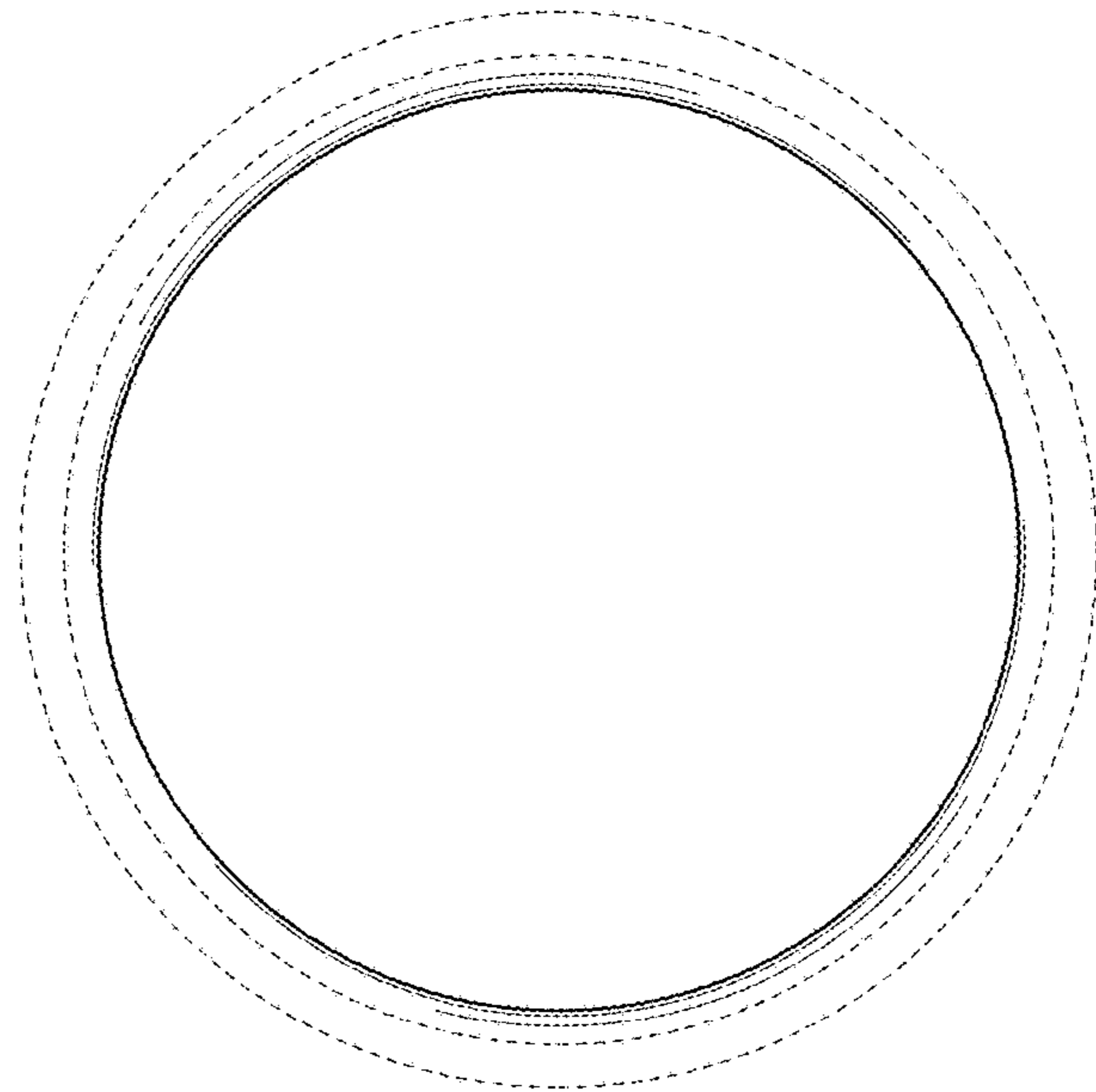


FIG. 3

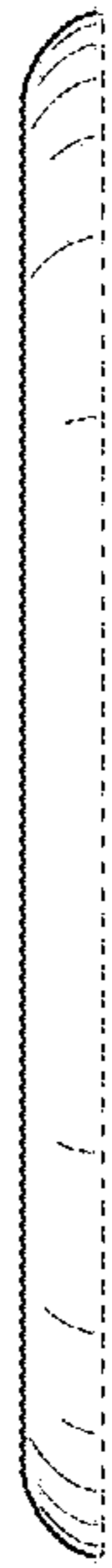


FIG. 4

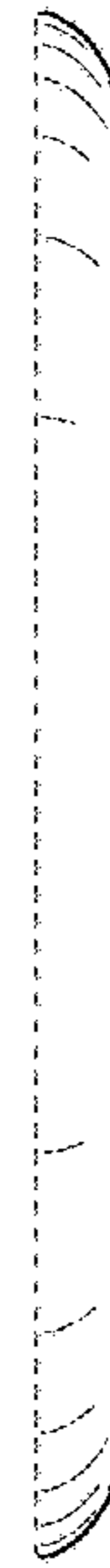


FIG. 5



FIG. 6

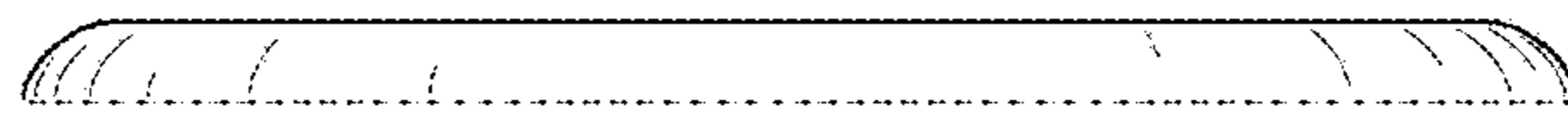


FIG. 7

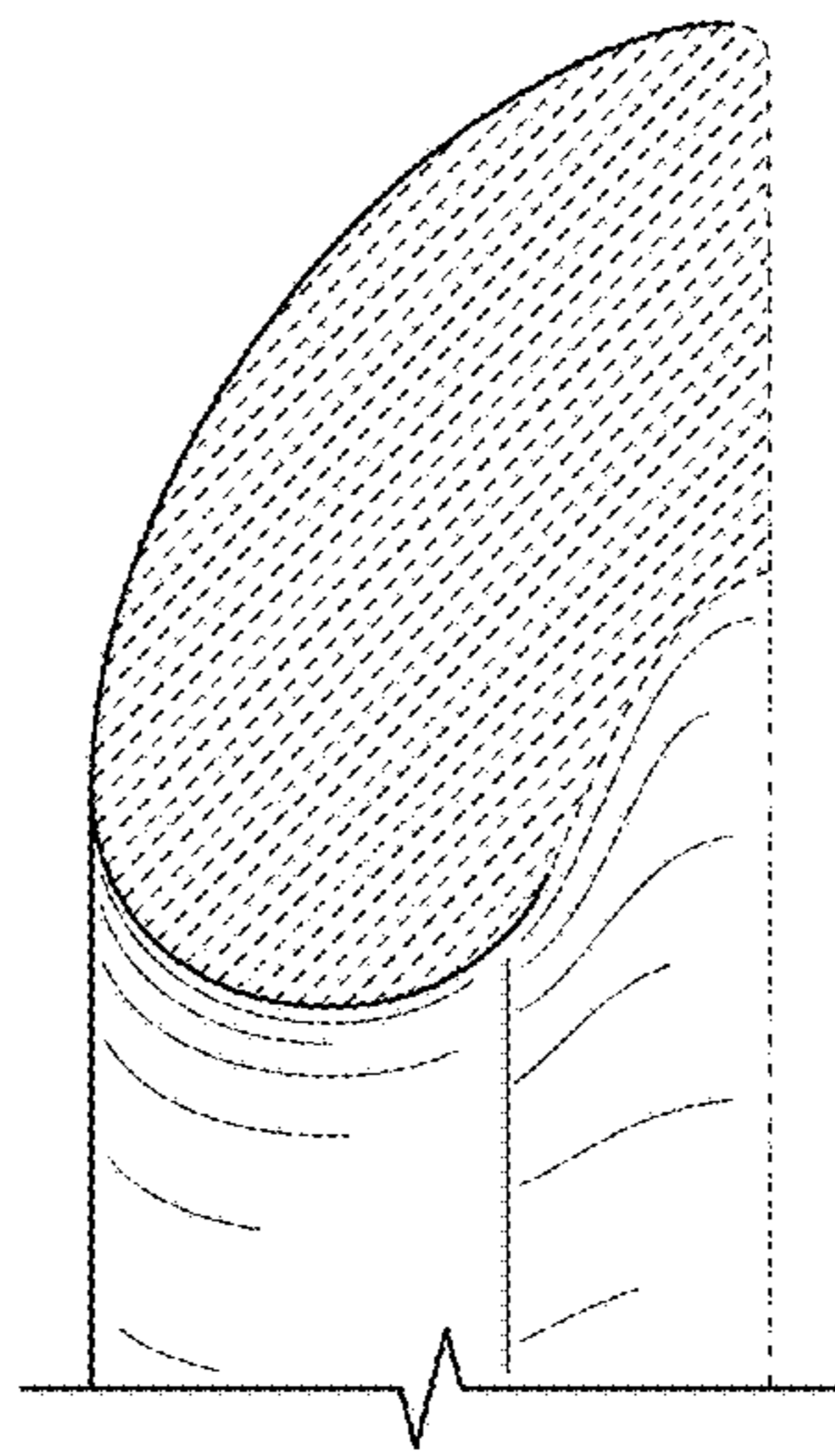


FIG. 8

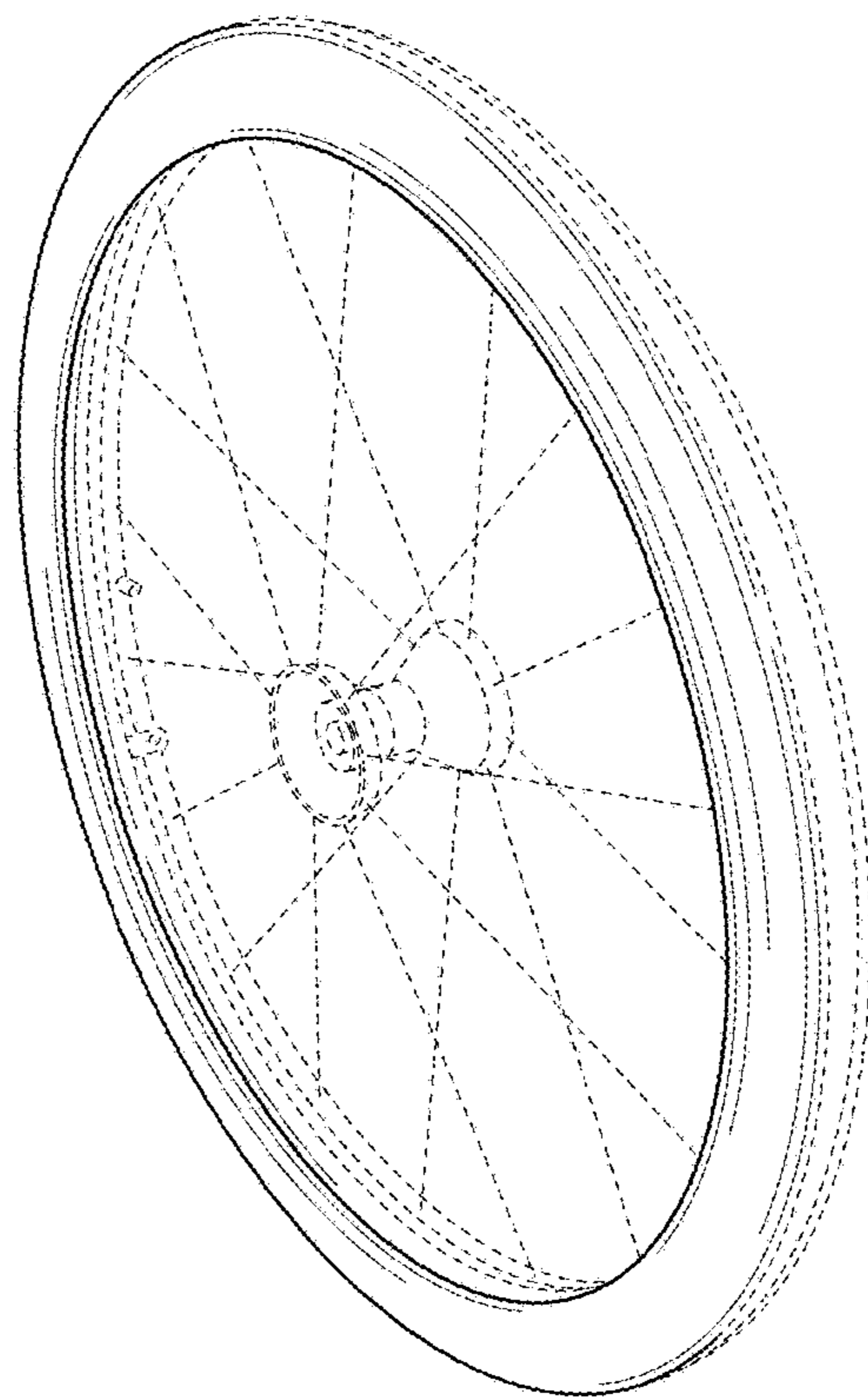


FIG. 9