



US00D864794S

(12) **United States Design Patent**
Waters et al.

(10) **Patent No.:** **US D864,794 S**
(45) **Date of Patent:** **** Oct. 29, 2019**

- (54) **ELECTRIC MOTORCYCLE**
- (71) Applicant: **Segway Inc.**, Bedford, NH (US)
- (72) Inventors: **Scott M. Waters**, Hollis, NH (US);
Michael Slate, Merrimack, NH (US);
Derek Hugger, Goffstown, NH (US);
Anthony Foale, Alicante (ES)
- (73) Assignee: **SEGWAY INC.**, Bedford, NH (US)
- (**) Term: **15 Years**
- (21) Appl. No.: **29/606,925**
- (22) Filed: **Jun. 8, 2017**
- (51) **LOC (12) Cl.** **12-11**
- (52) **U.S. Cl.**
USPC **D12/110**
- (58) **Field of Classification Search**
USPC D12/110, 111, 117; D21/432, 538
CPC B62K 11/00; B62K 11/02; B62K 11/04;
B62K 11/10; B62K 17/00; B62K 19/00;
B62K 2202/00
See application file for complete search history.

D698,702 S *	2/2014	Kubaneck	D12/110
D724,496 S *	3/2015	Takeda	D12/110
D735,086 S *	7/2015	Talios	D12/110
D798,195 S *	9/2017	Yu	D12/110
D803,103 S *	11/2017	Clyde	D12/110
D810,629 S *	2/2018	Ytterborn	D12/110
D814,359 S *	4/2018	Nishimoto	D12/110
D814,978 S *	4/2018	Niu	D12/110
D815,990 S *	4/2018	Jane Santamaria	D12/110
D815,991 S *	4/2018	Clyde	D12/110
D820,732 S *	6/2018	Francis	D12/110

* cited by examiner

Primary Examiner — Darlington Ly
(74) *Attorney, Agent, or Firm* — Anova Law Group, PLLC

(57) **CLAIM**

The ornamental design for an electric motorcycle, as shown and described.

DESCRIPTION

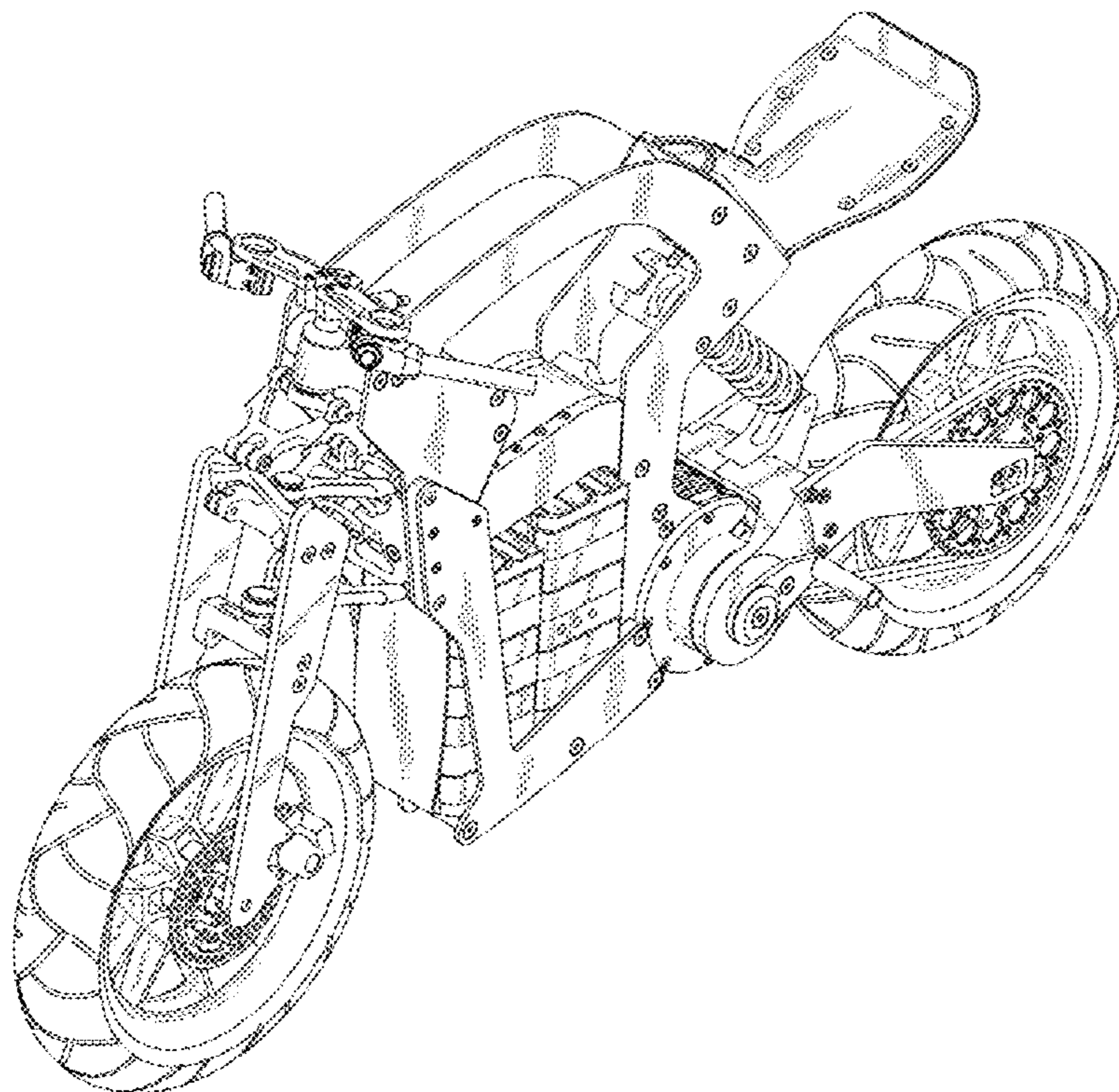
FIG. 1 is a top, front, and left side perspective view of an electric motorcycle showing our new design; FIG. 2 is a left side elevation view thereof; FIG. 3 is a top plan view thereof; FIG. 4 is a rear elevation view thereof; FIG. 5 is a front elevation view thereof; FIG. 6 is a right side elevation view thereof; and, FIG. 7 is a top, rear, and left side perspective view thereof.

1 Claim, 7 Drawing Sheets

(56) **References Cited**

U.S. PATENT DOCUMENTS

D645,791 S *	9/2011	Lee	D12/110
D653,590 S *	2/2012	Patterson	D12/110



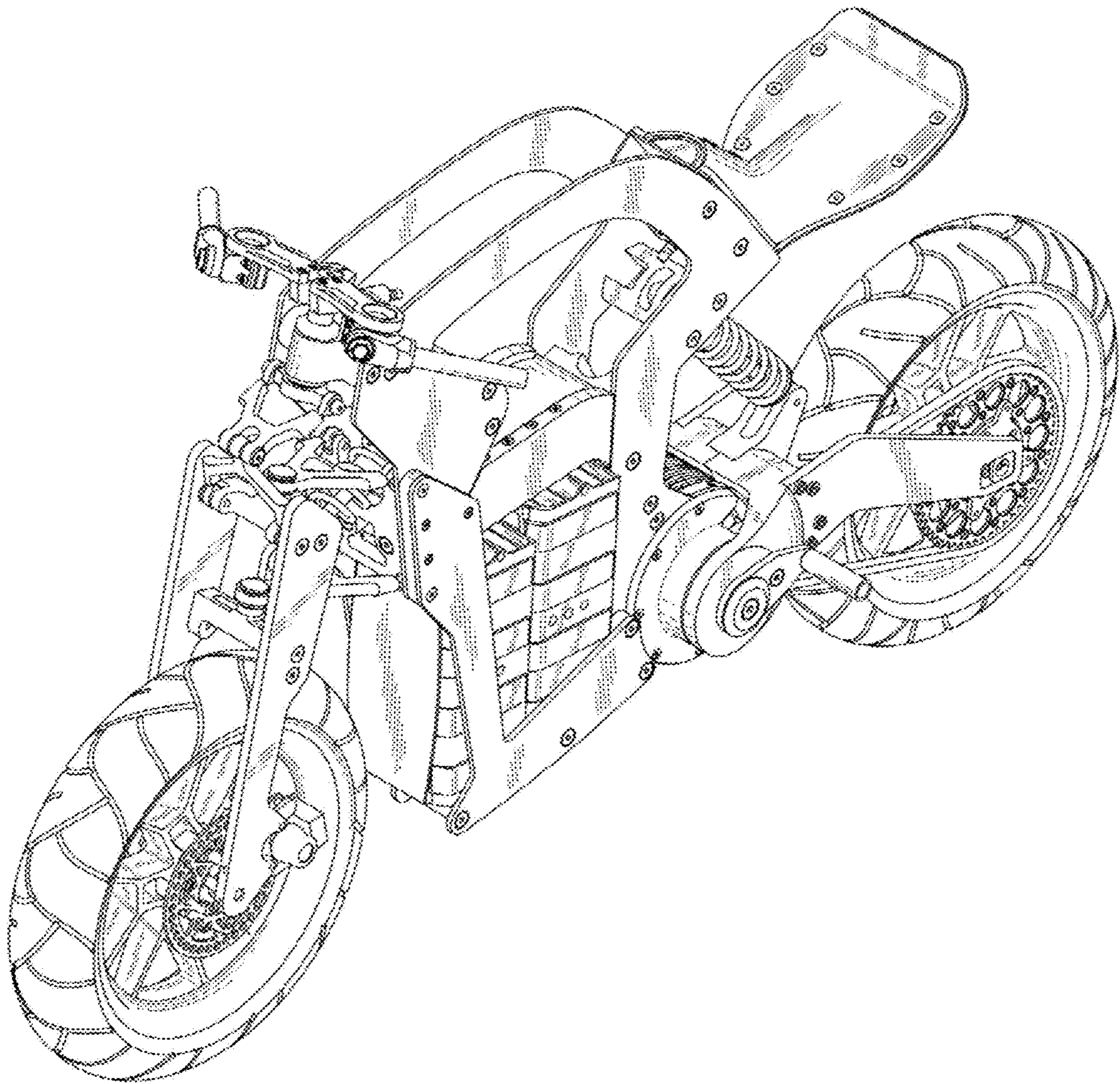


FIG. 1

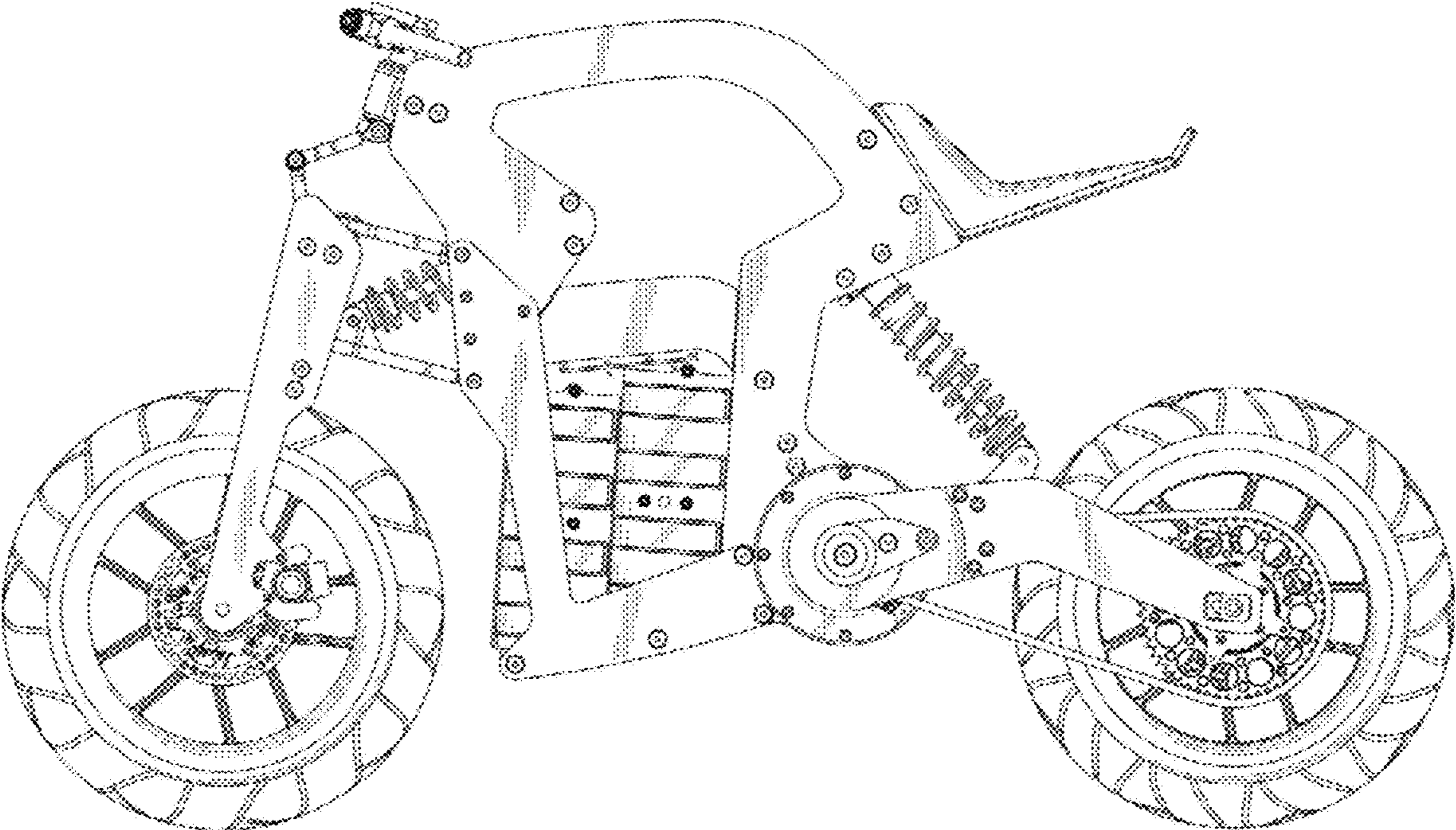


FIG. 2

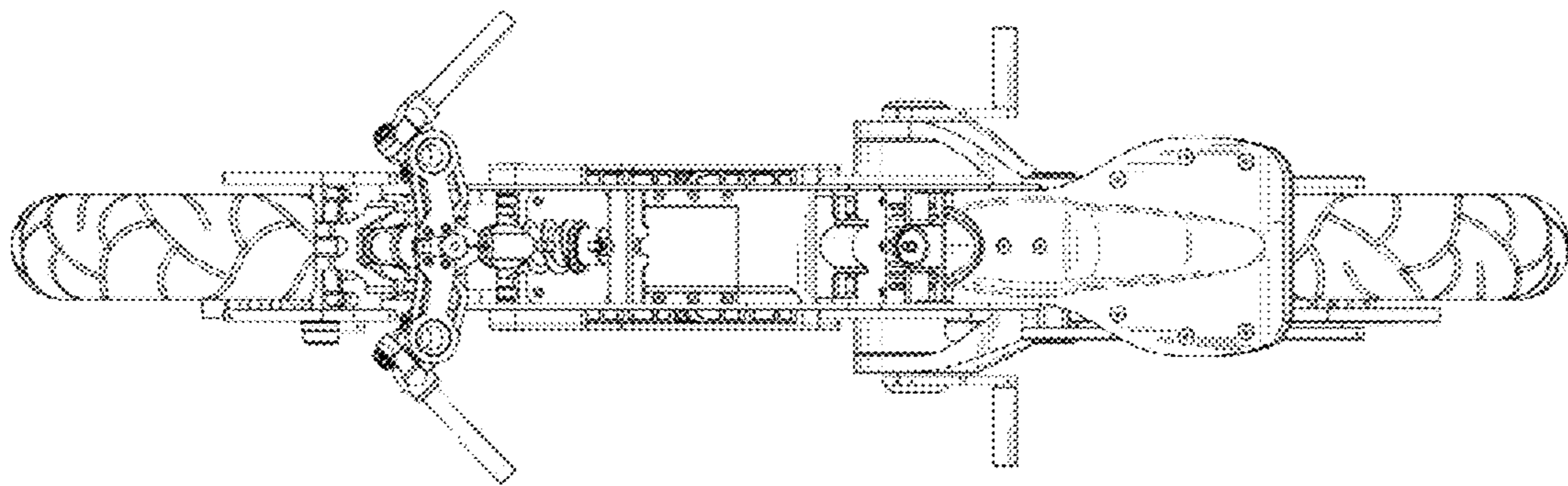


FIG. 3

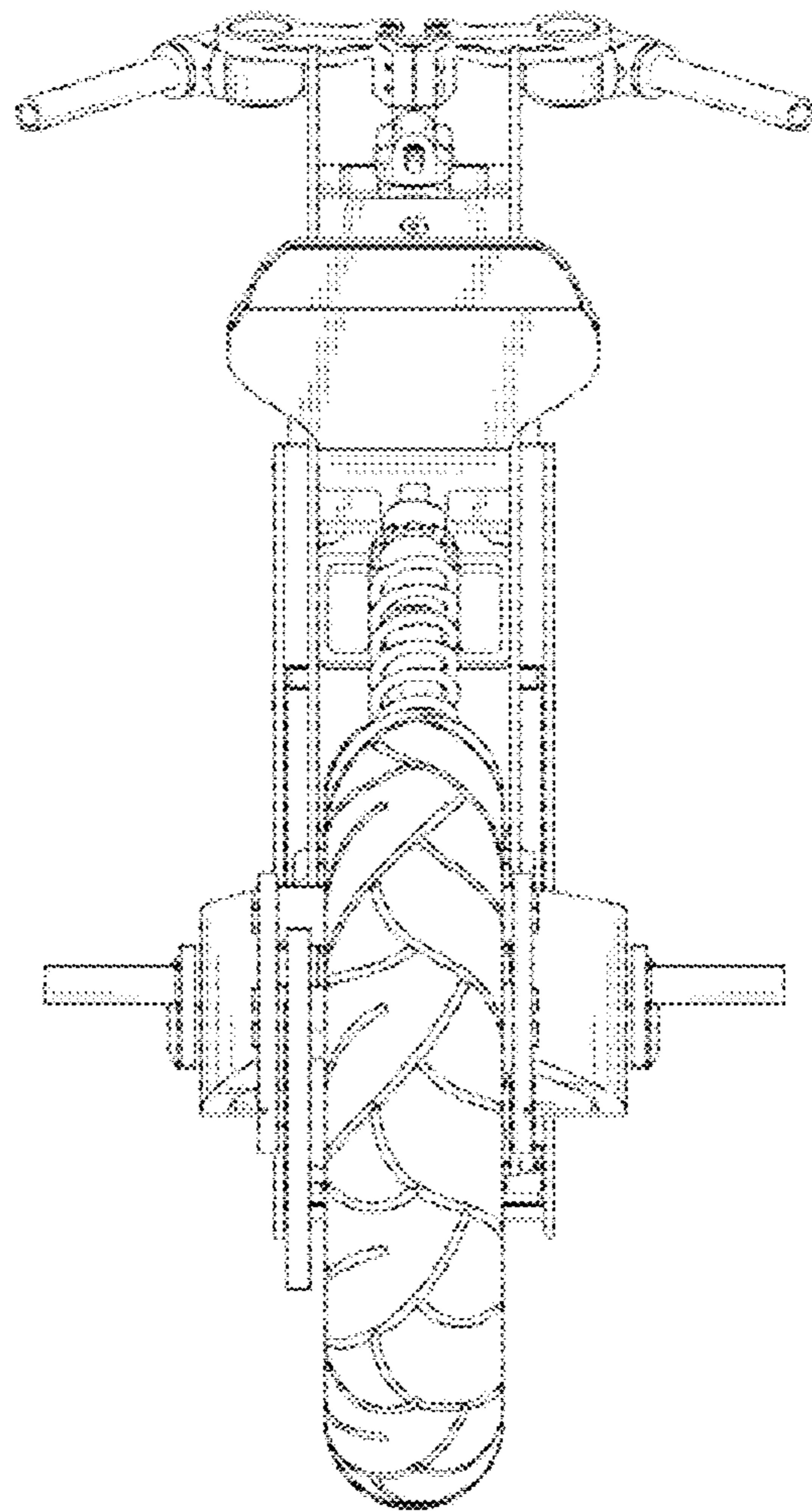


FIG. 4

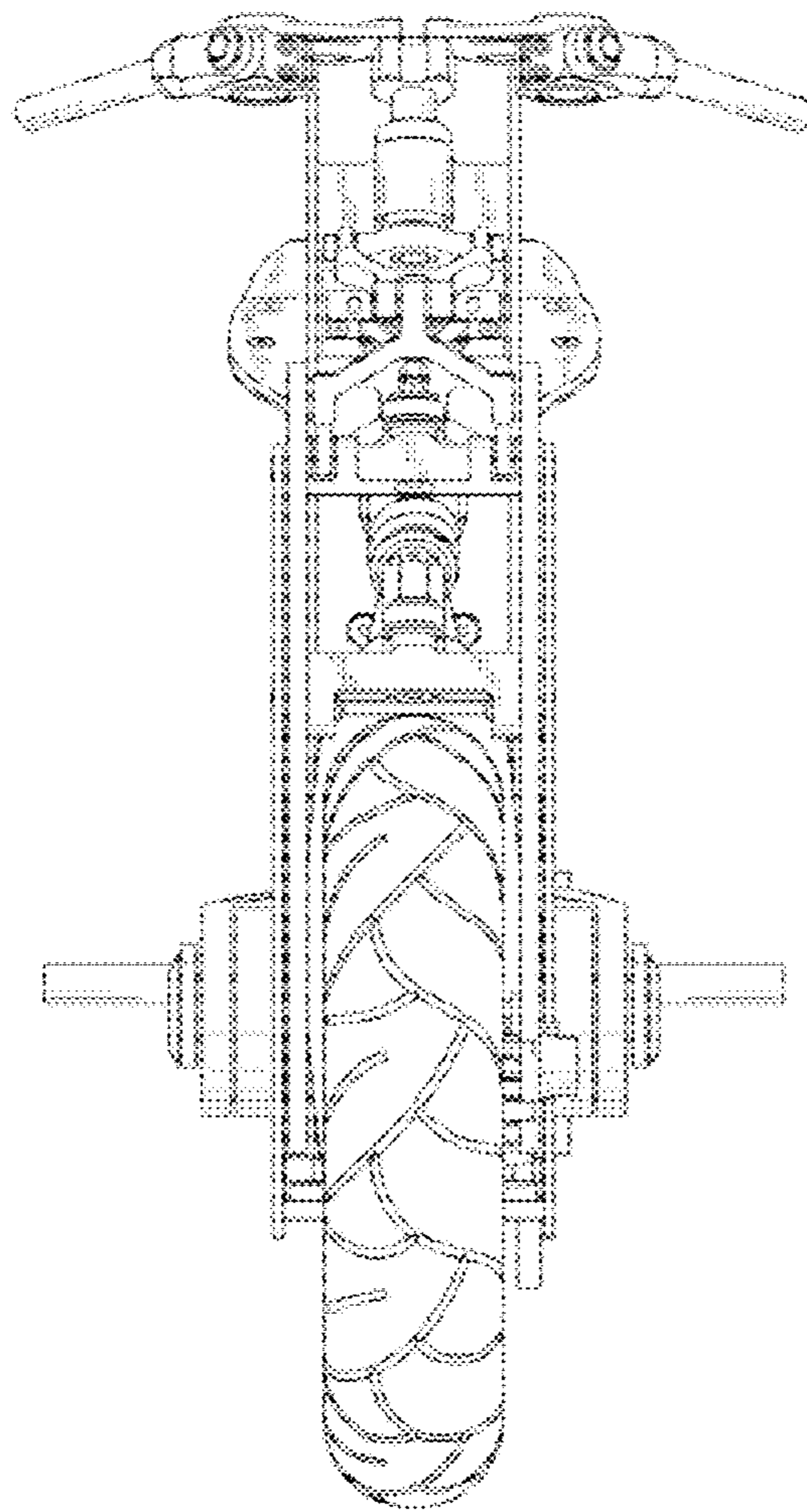


FIG. 5

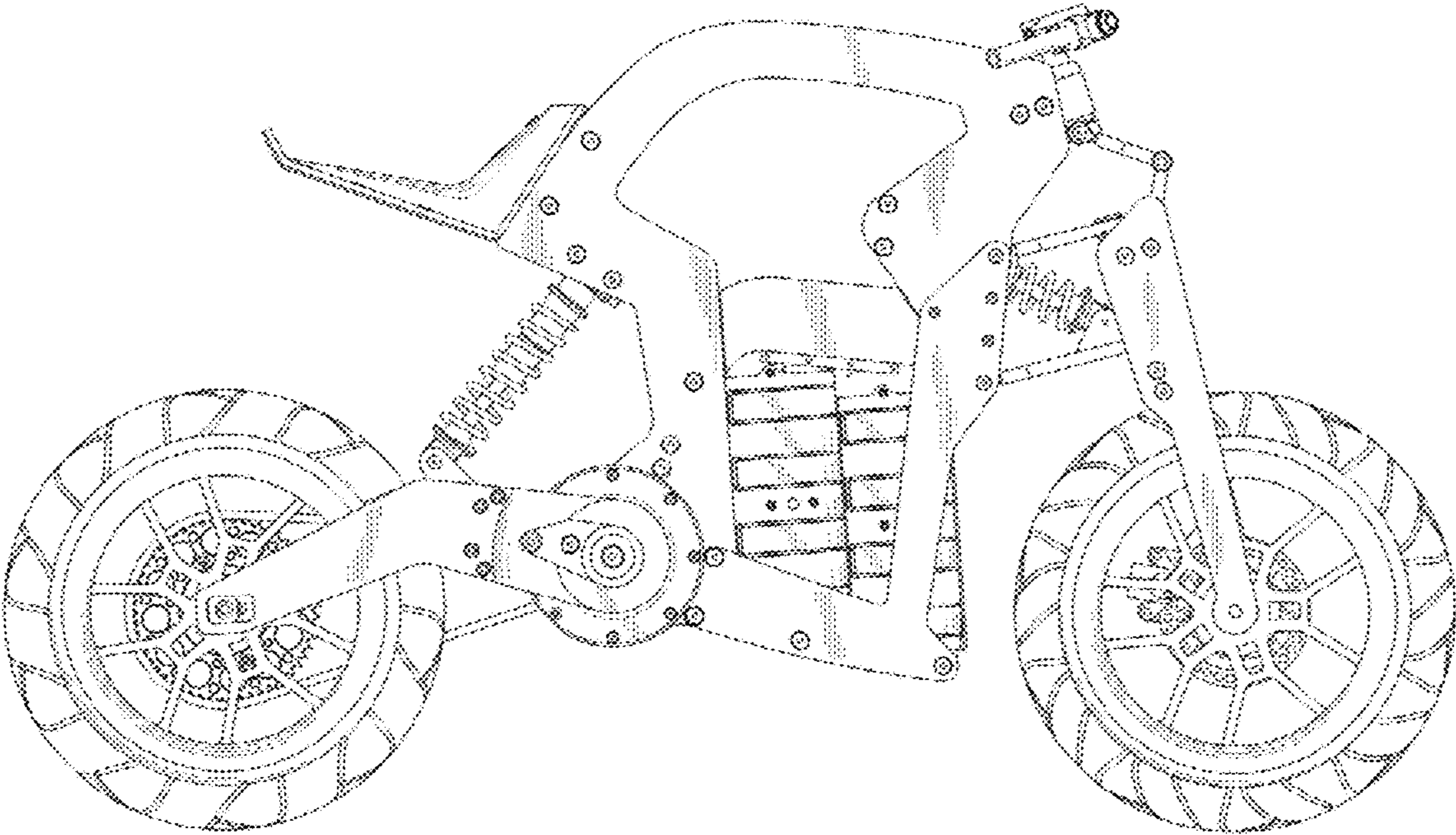


FIG. 6

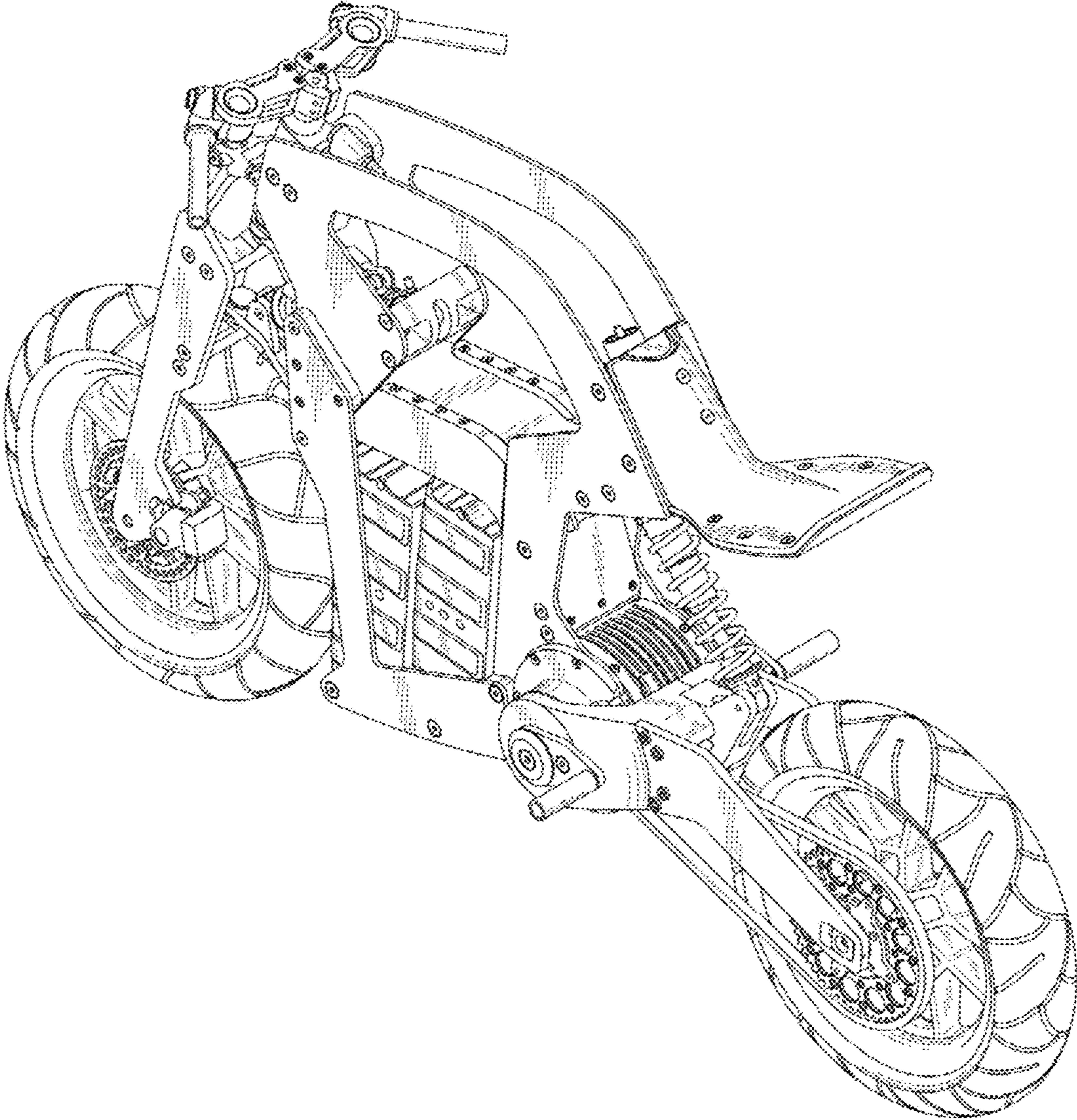


FIG. 7