

US00D864793S

(12) **United States Design Patent**
Olsen et al.

(10) **Patent No.:** **US D864,793 S**

(45) **Date of Patent:** **** *Oct. 29, 2019**

(54) **TRAILER NOSEBOX**

(71) Applicant: **Purkey's Fleet Electric, Inc.**, Lowell, AR (US)

(72) Inventors: **Russell Olsen**, Manti, UT (US); **Justin Alder**, Manti, UT (US)

(*) Notice: This patent is subject to a terminal disclaimer.

(**) Term: **15 Years**

(21) Appl. No.: **29/623,936**

(22) Filed: **Oct. 27, 2017**

(51) **LOC (12) Cl.** **12-10**

(52) **U.S. Cl.**
USPC **D12/106**

(58) **Field of Classification Search**

USPC ... 439/35, 34, 500, 513, 166, 259, 310, 338, 439/378, 379, 891; D12/106, 189, 190, D12/400, 410, 169, 163; D13/137.1-137.4, 138.1-138.2, D13/139.1-139.8, 158
CPC . B60D 1/00; B60D 1/34; H01R 33/00; H01R 13/00; H01R 13/52; H01R 13/447; H01R 13/62; H01R 35/00; H01R 35/02; H01R 35/04

See application file for complete search history.

(56) **References Cited**

U.S. PATENT DOCUMENTS

6,558,167 B2* 5/2003 Harmon B60D 1/62
439/35

7,331,792 B2* 2/2008 Cummings H01R 13/5213
439/166

7,435,093 B1* 10/2008 Harmon B60D 1/64
439/35

D620,453 S * 7/2010 Corless D13/154

* cited by examiner

Primary Examiner — Abraham Bahta

(74) *Attorney, Agent, or Firm* — Gurr Brande & Spendlove, PLLC; Robert A. Gurr

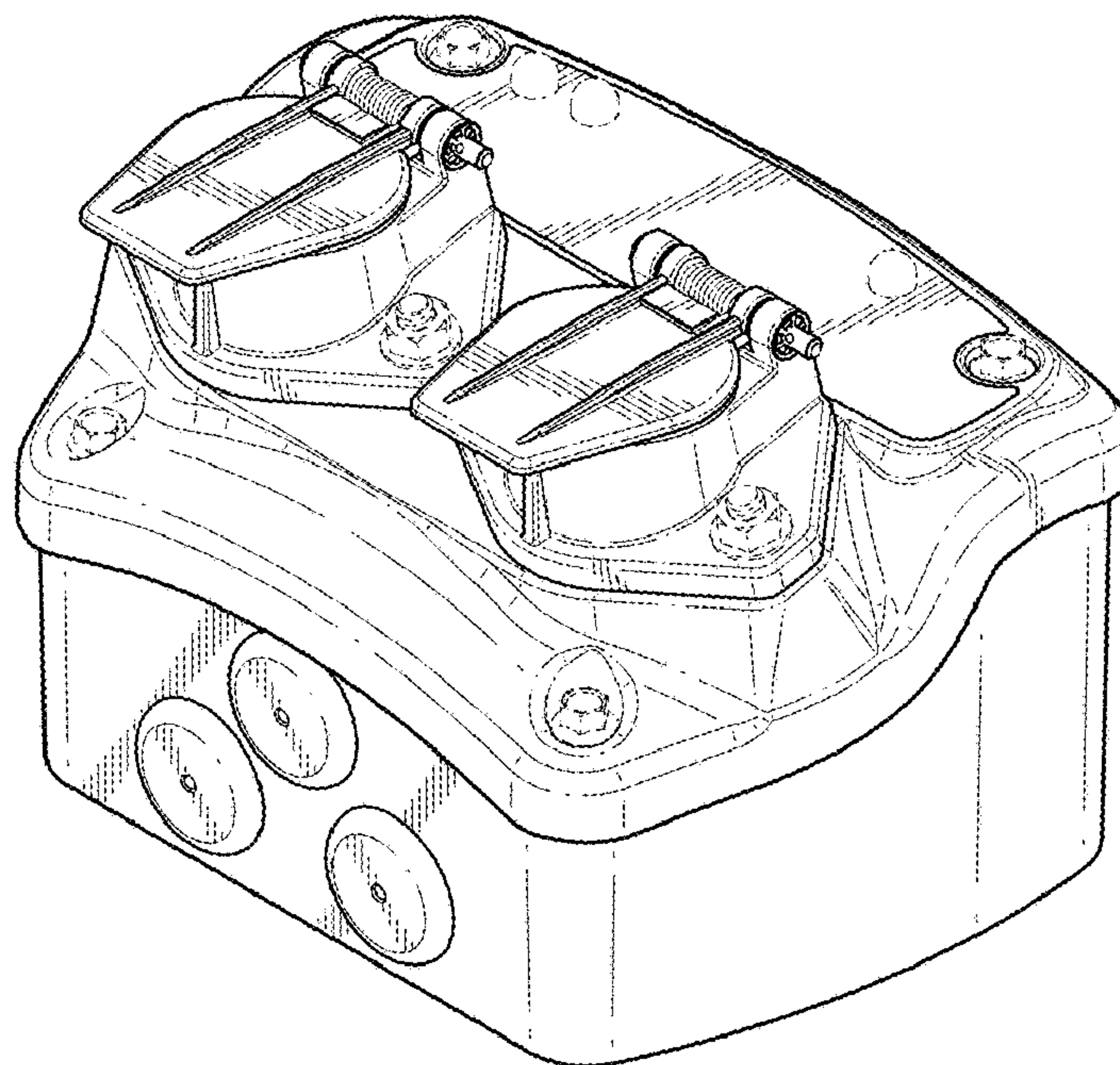
(57) **CLAIM**

The ornamental design for a trailer nosebox, as shown and described.

DESCRIPTION

FIG. 1 is a perspective view of the trailer nosebox; FIG. 2 is a bottom plan view of the trailer nosebox; FIG. 3 is a right side elevation view of the trailer nosebox; FIG. 4 is a left side elevation view of the trailer nosebox; FIG. 5 is top plan view of the trailer nosebox; FIG. 6 is a front elevation view of the trailer nosebox; and, FIG. 7 is a back elevation view of the trailer nosebox. The broken lines shown in the drawings are for the purpose of illustrating portions of the article that form no part of the claimed design.

1 Claim, 4 Drawing Sheets



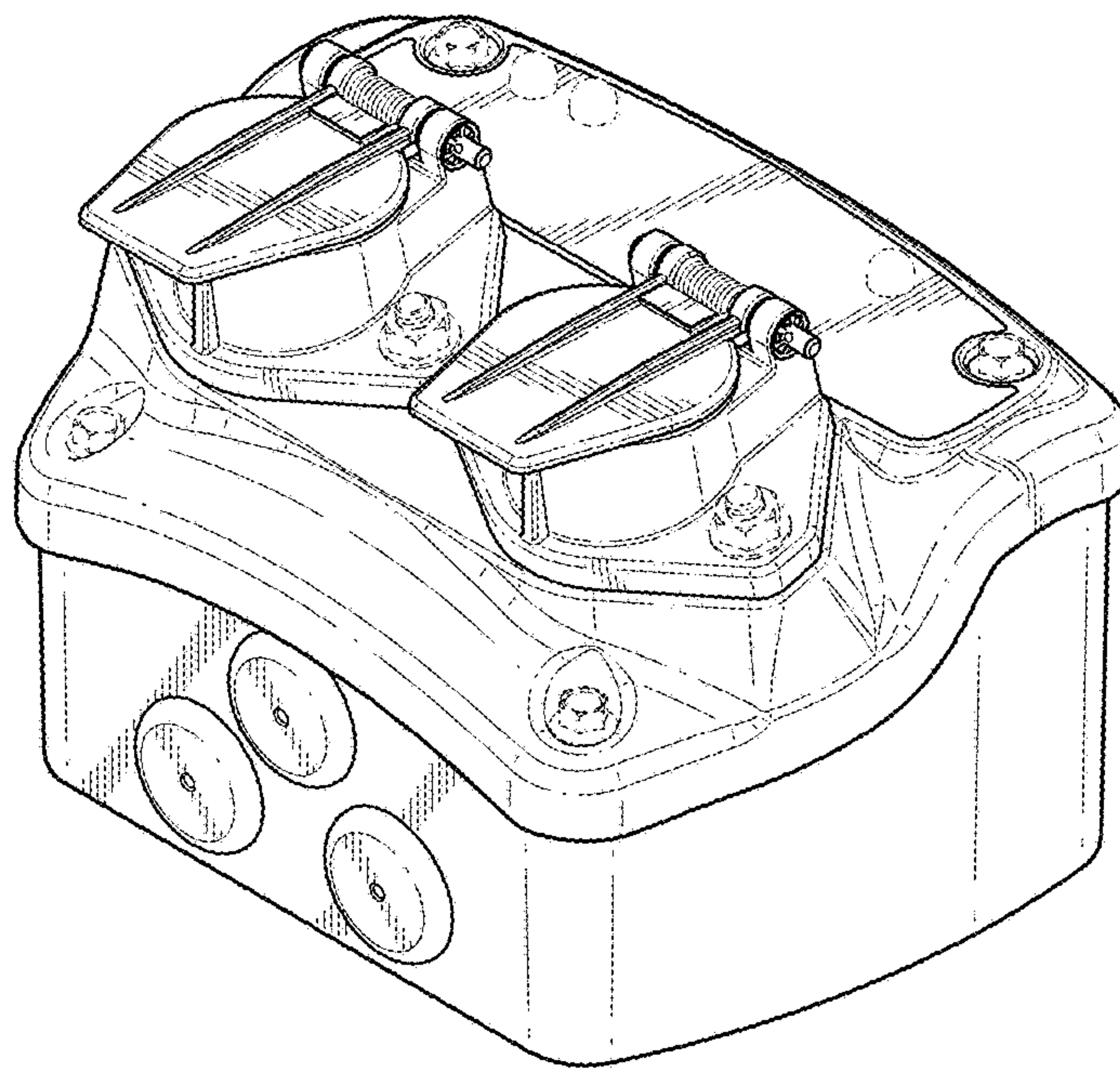


FIG. 1

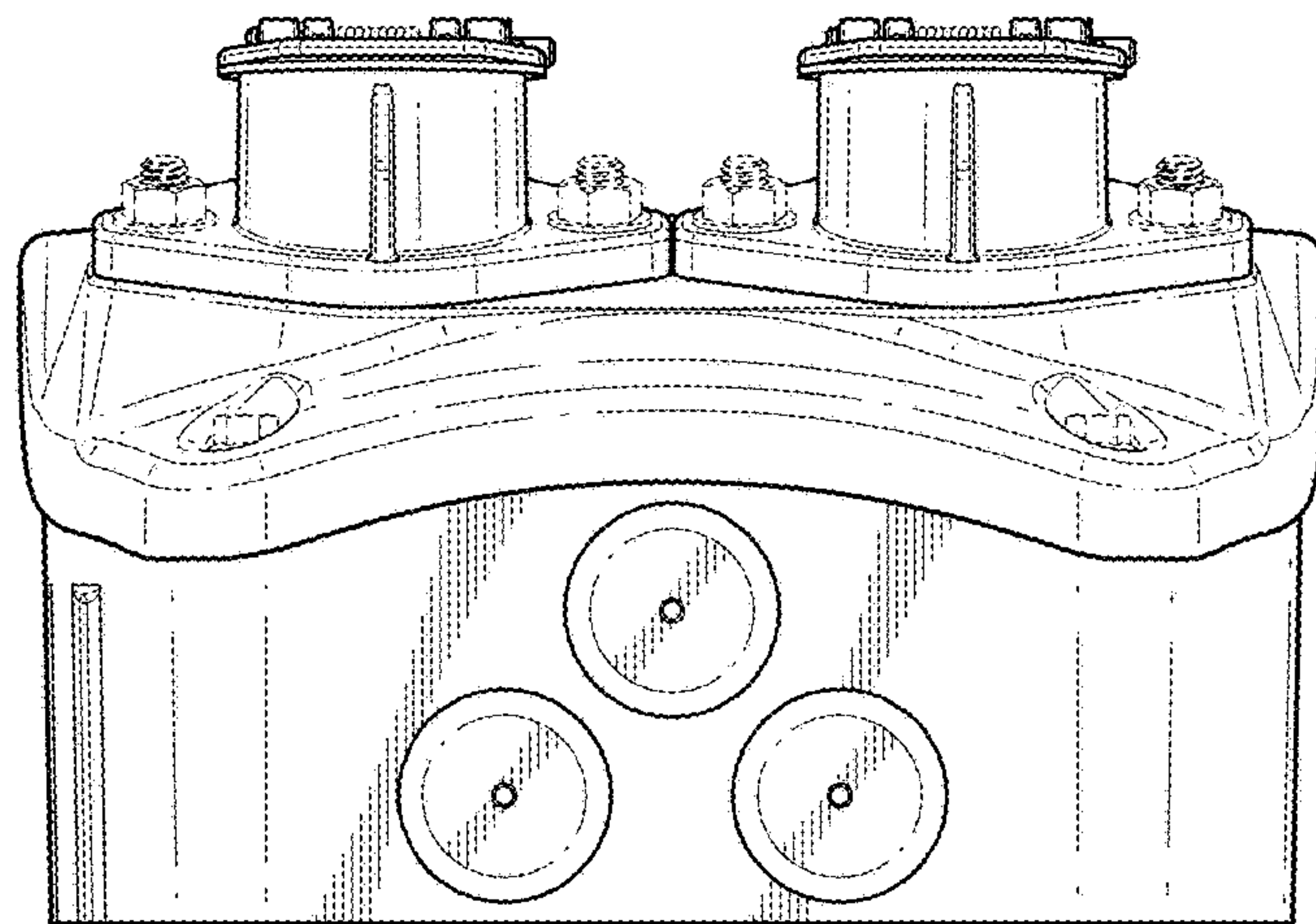


FIG. 2

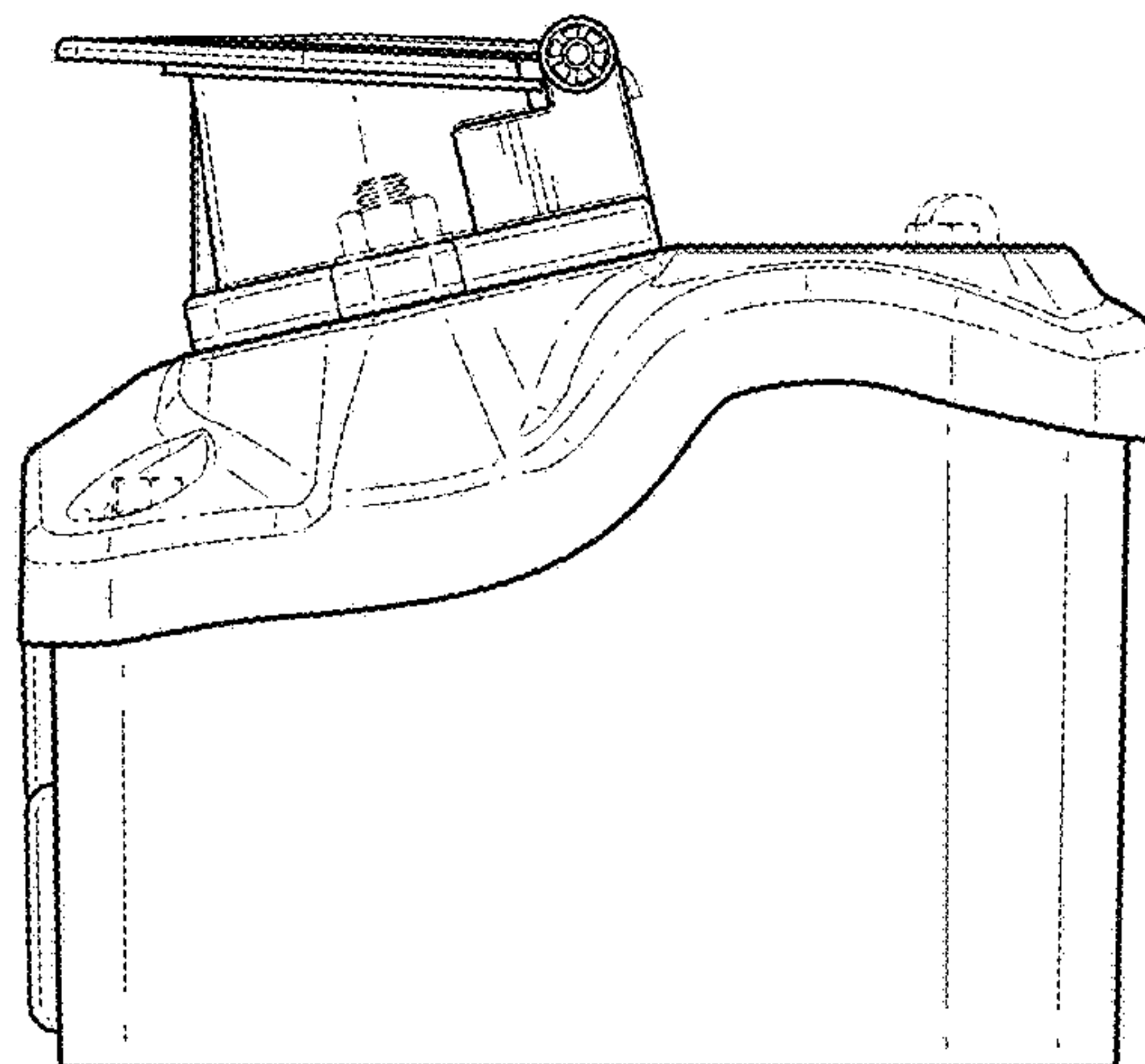


FIG. 3

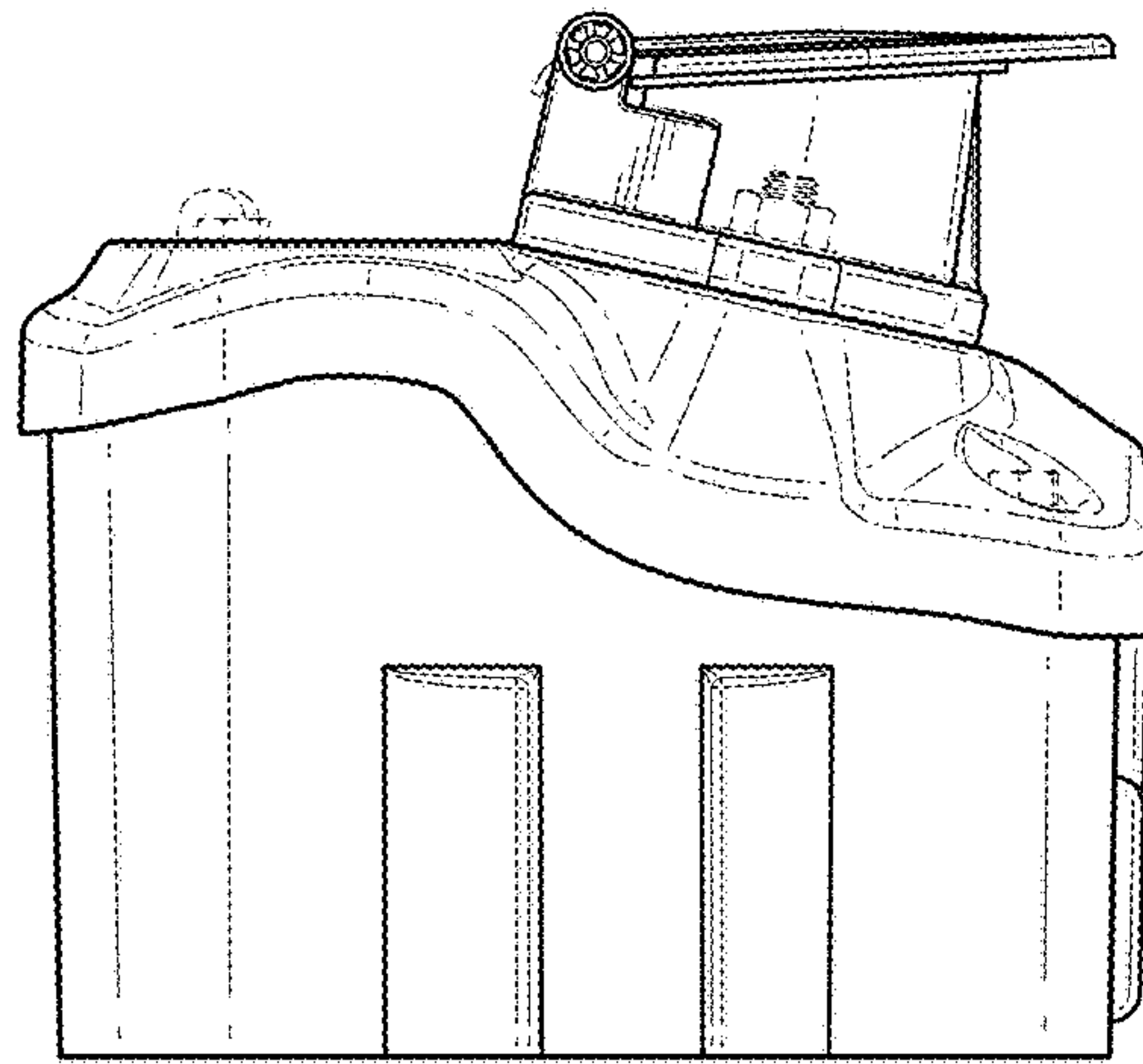


FIG. 4

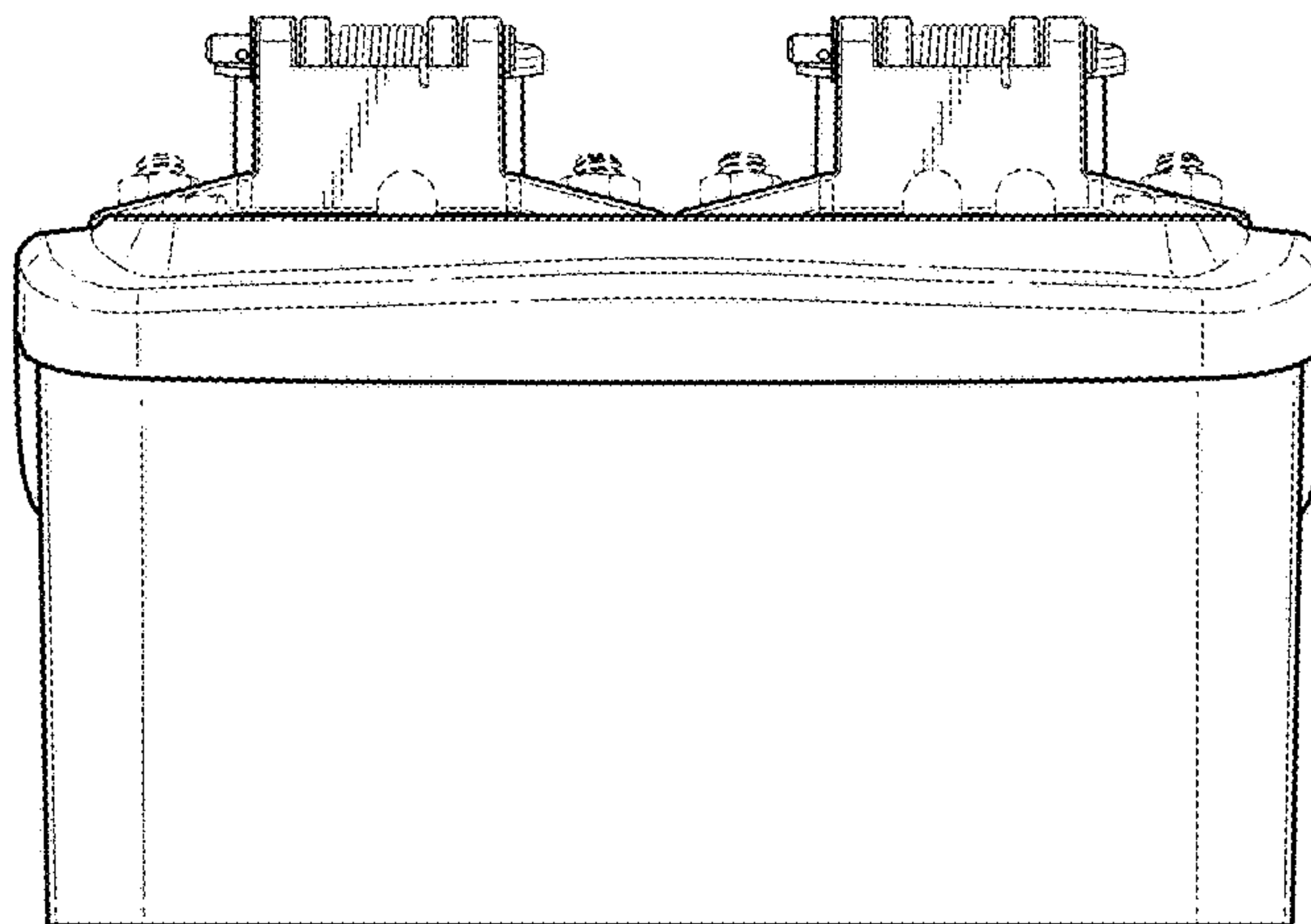


FIG. 5

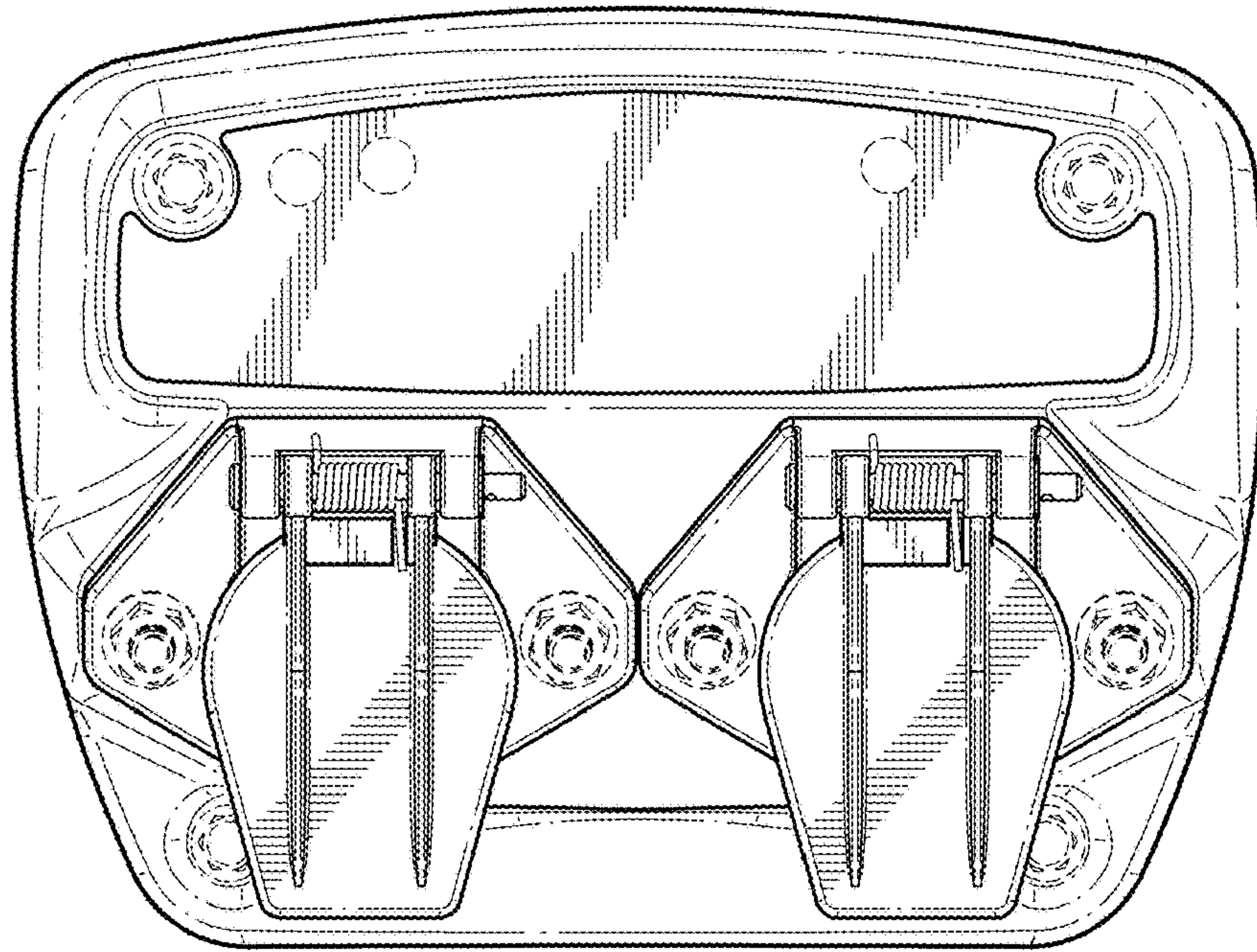


FIG. 6

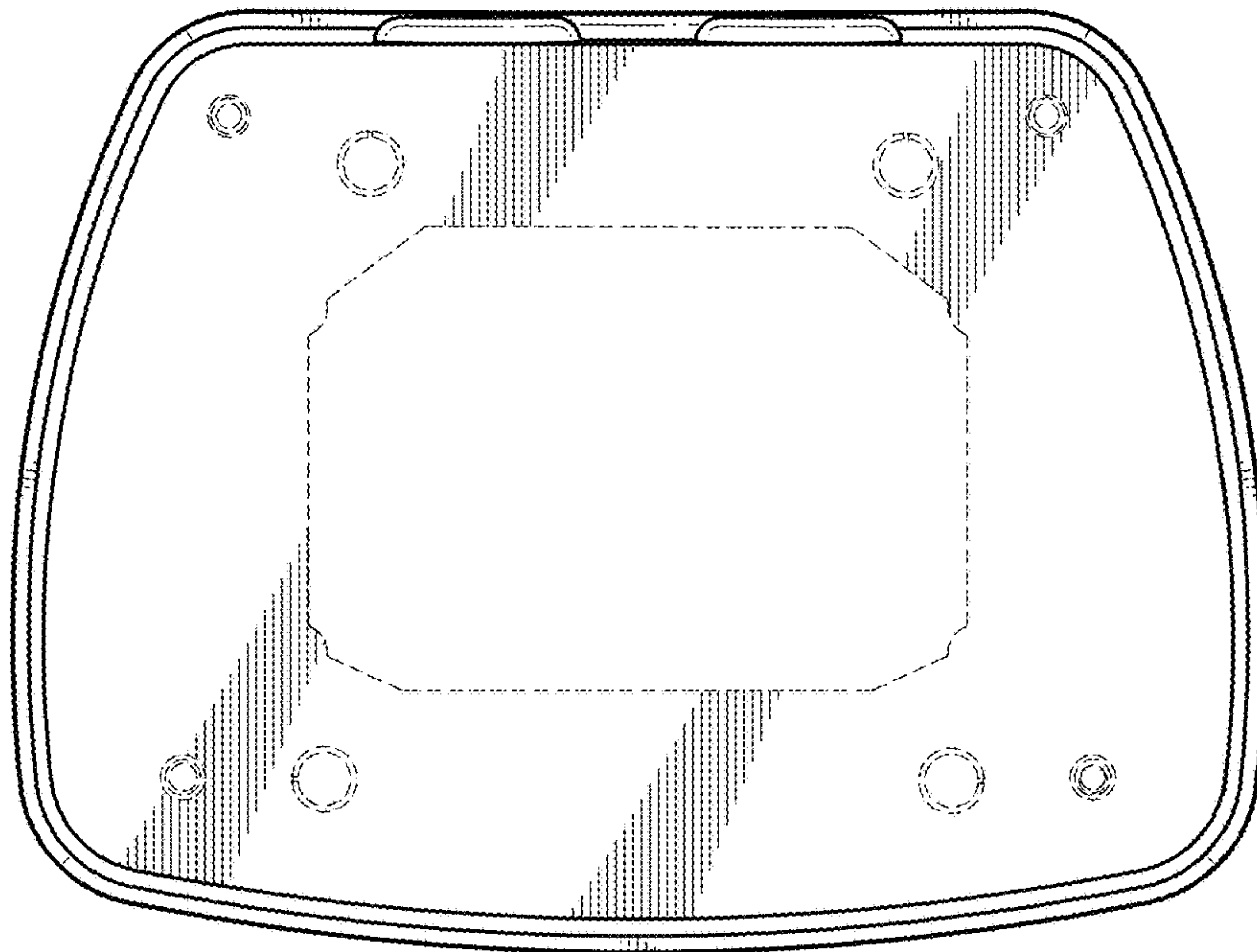


FIG. 7