



US00D864792S

(12) **United States Design Patent** (10) **Patent No.:** **US D864,792 S**
Olsen et al. (45) **Date of Patent:** **** *Oct. 29, 2019**

(54) **TRAILER NOSEBOX**

(56) **References Cited**

(71) Applicant: **Purkey's Fleet Electric, Inc.**, Lowell, AR (US)

U.S. PATENT DOCUMENTS

(72) Inventors: **Russell Olsen**, Manti, UT (US); **Justin Alder**, Manti, UT (US)

6,558,167 B2 *	5/2003	Harmon	B60D 1/62 439/35
7,331,792 B2 *	2/2008	Cummings	H01R 13/5213 439/166
7,435,093 B1 *	10/2008	Harmon	B60D 1/64 439/35
D620,453 S *	7/2010	Corless	D13/154

(*) Notice: This patent is subject to a terminal disclaimer.

* cited by examiner

(**) Term: **15 Years**

Primary Examiner — Abraham Bahta
(74) *Attorney, Agent, or Firm* — Gurr Brande & Spendlove, PLLC; Robert A. Gurr

(21) Appl. No.: **29/623,934**

(57) **CLAIM**

(22) Filed: **Oct. 27, 2017**

The ornamental design for a trailer nosebox, as shown and described.

(51) **LOC (12) Cl.** **12-10**

DESCRIPTION

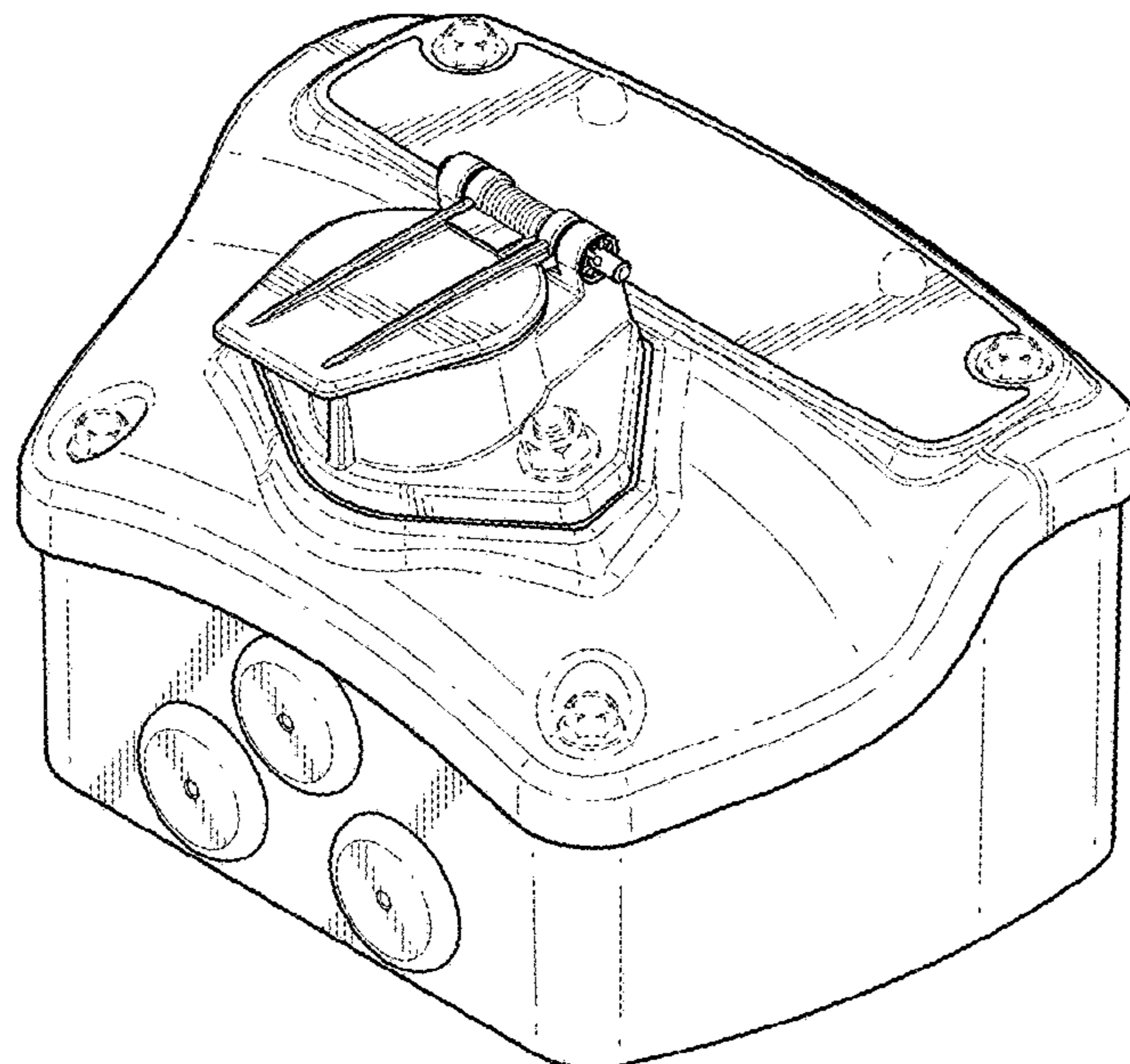
(52) **U.S. Cl.**
USPC **D12/106**

(58) **Field of Classification Search**
USPC ... 439/35, 34, 500, 513, 166, 259, 310, 338, 439/378, 379, 891; D12/106, 189, 190, D12/400, 410, 169, 163; D13/137.1–137.4, 138.1–138.2, D13/139.1–139.8, 158
CPC . B60D 1/00; B60D 1/34; H01R 33/00; H01R 13/00; H01R 13/52; H01R 13/447; H01R 13/62; H01R 35/00; H01R 35/02; H01R 35/04

FIG. 1 is a perspective view of the trailer nosebox; FIG. 2 is a bottom plan view of the trailer nosebox; FIG. 3 is a right side elevation view of the trailer nosebox; FIG. 4 is a left side elevation view of the trailer nosebox; FIG. 5 is top plan view of the trailer nosebox; FIG. 6 is a front elevation view of the trailer nosebox; and, FIG. 7 is a back elevation view of the trailer nosebox. The broken lines shown in the drawings are for the purpose of illustrating portions of the article that form no part of the claimed design.

See application file for complete search history.

1 Claim, 4 Drawing Sheets



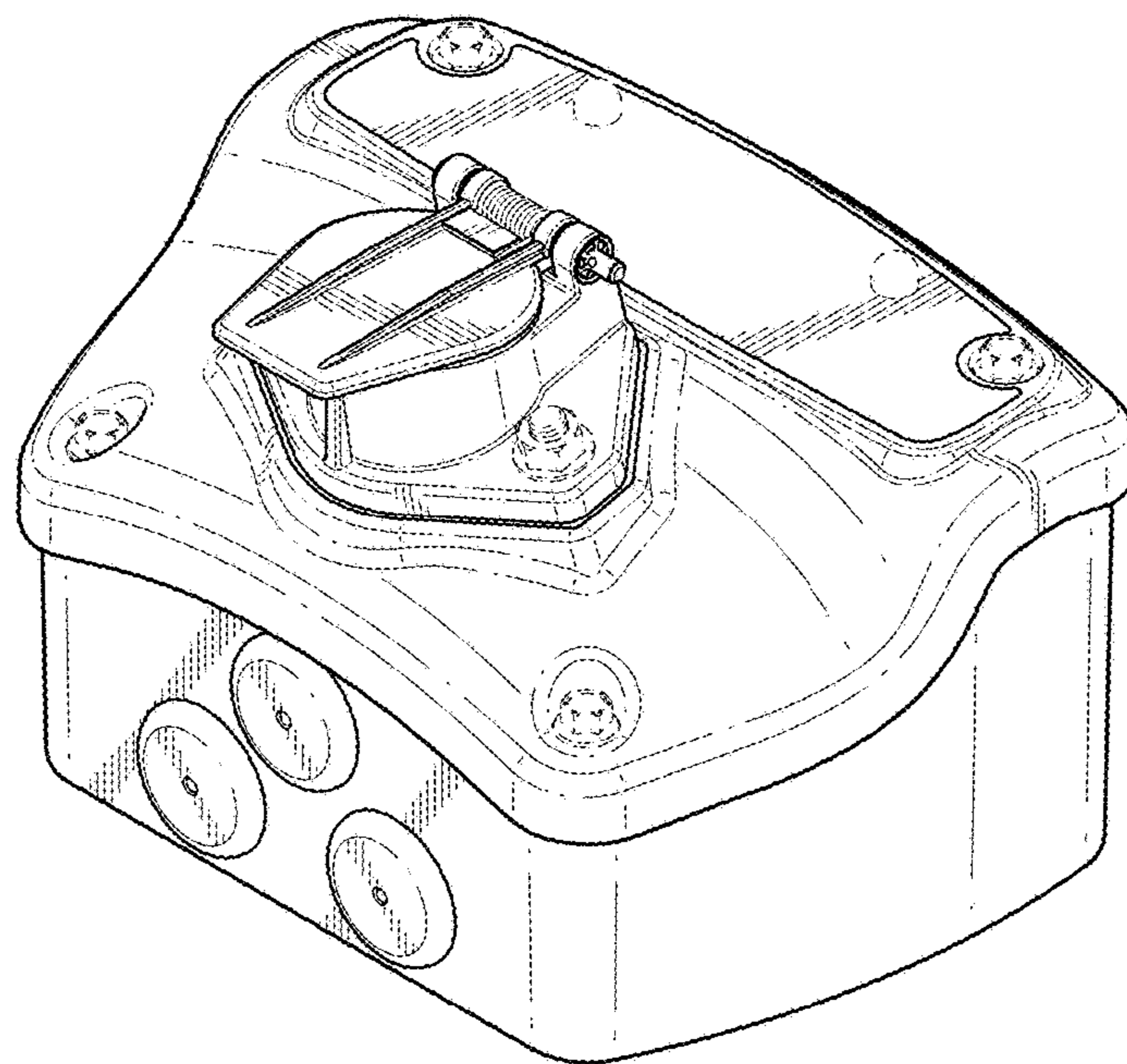


FIG. 1

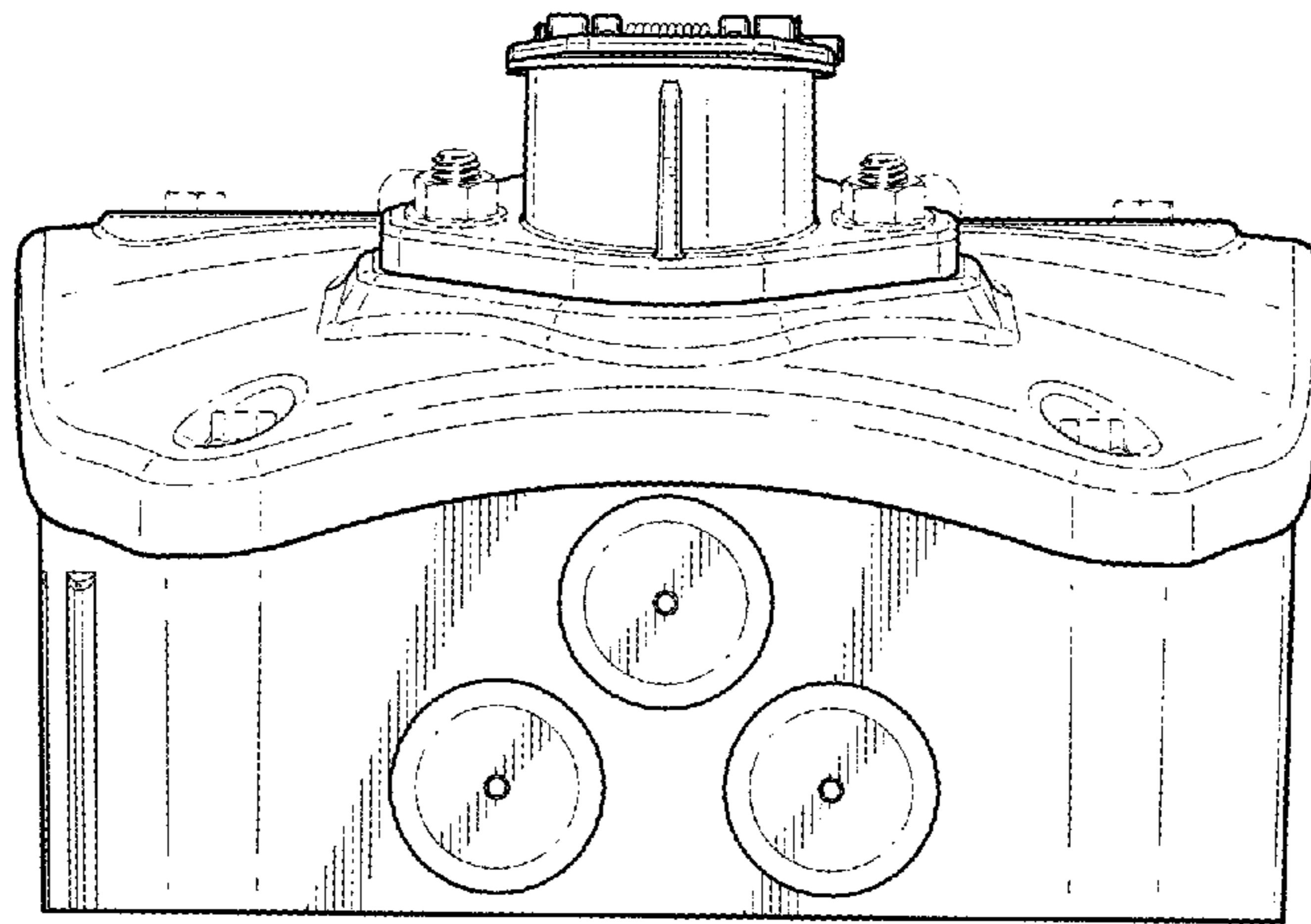


FIG. 2

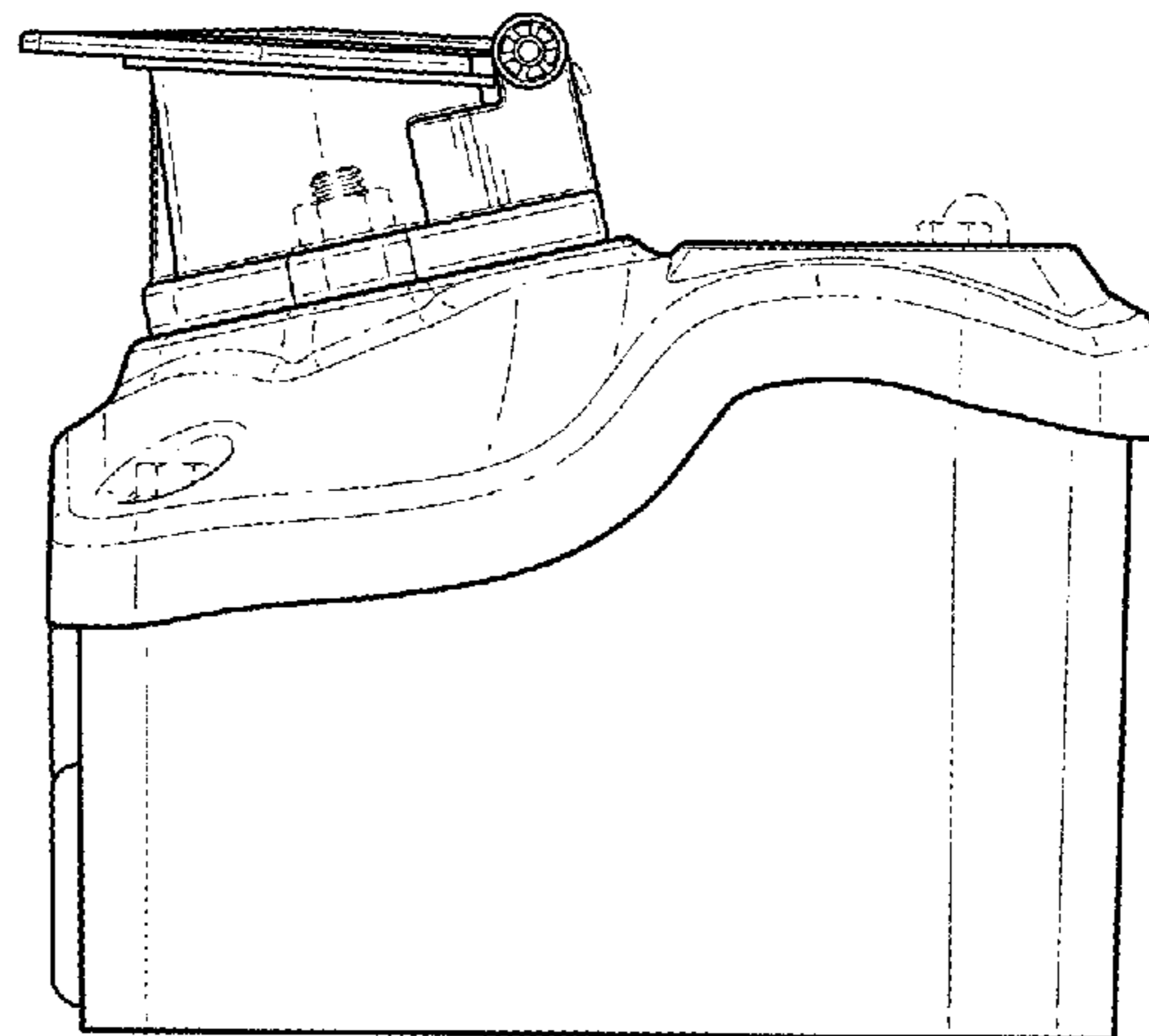


FIG. 3

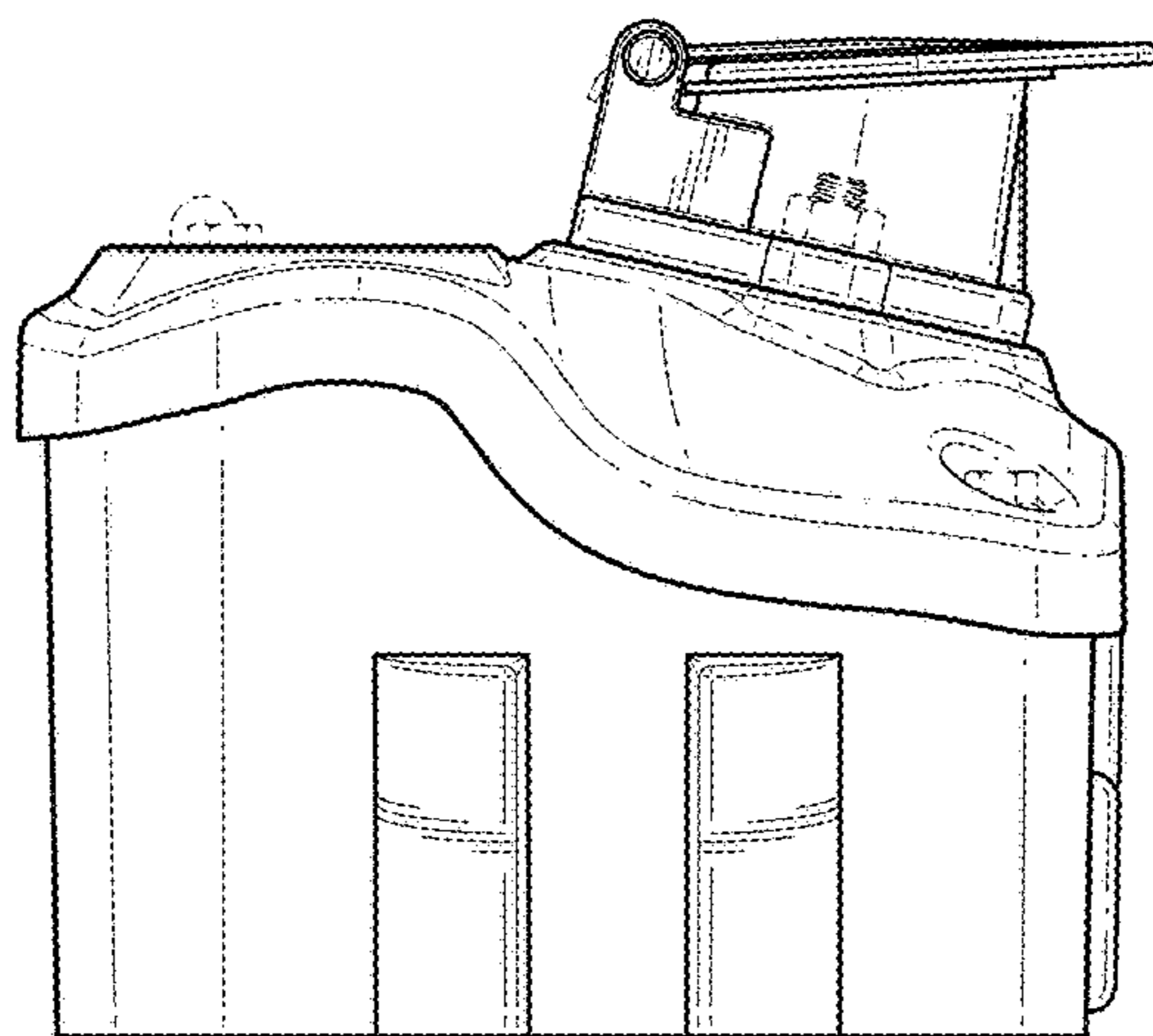


FIG. 4

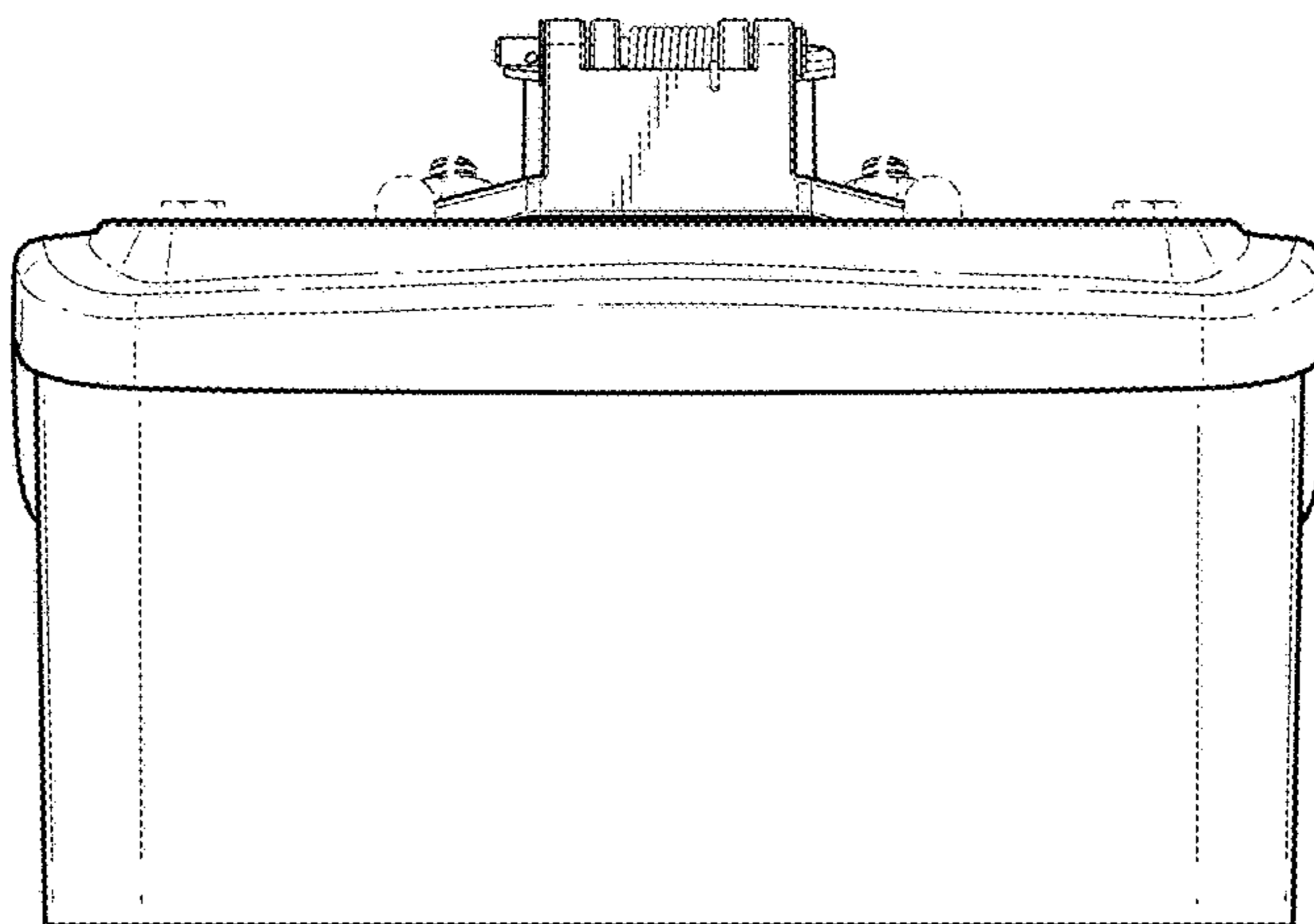


FIG. 5

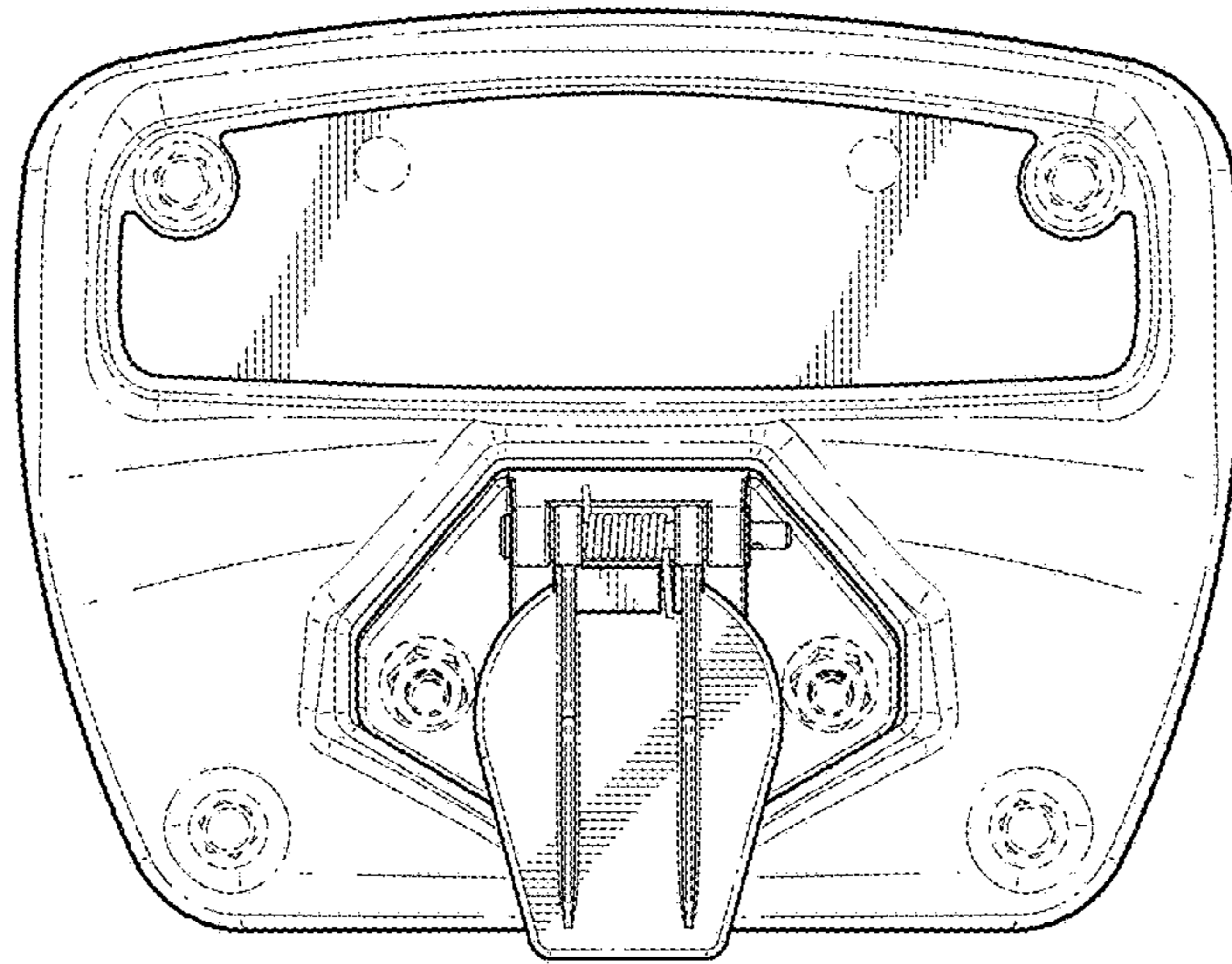


FIG. 6

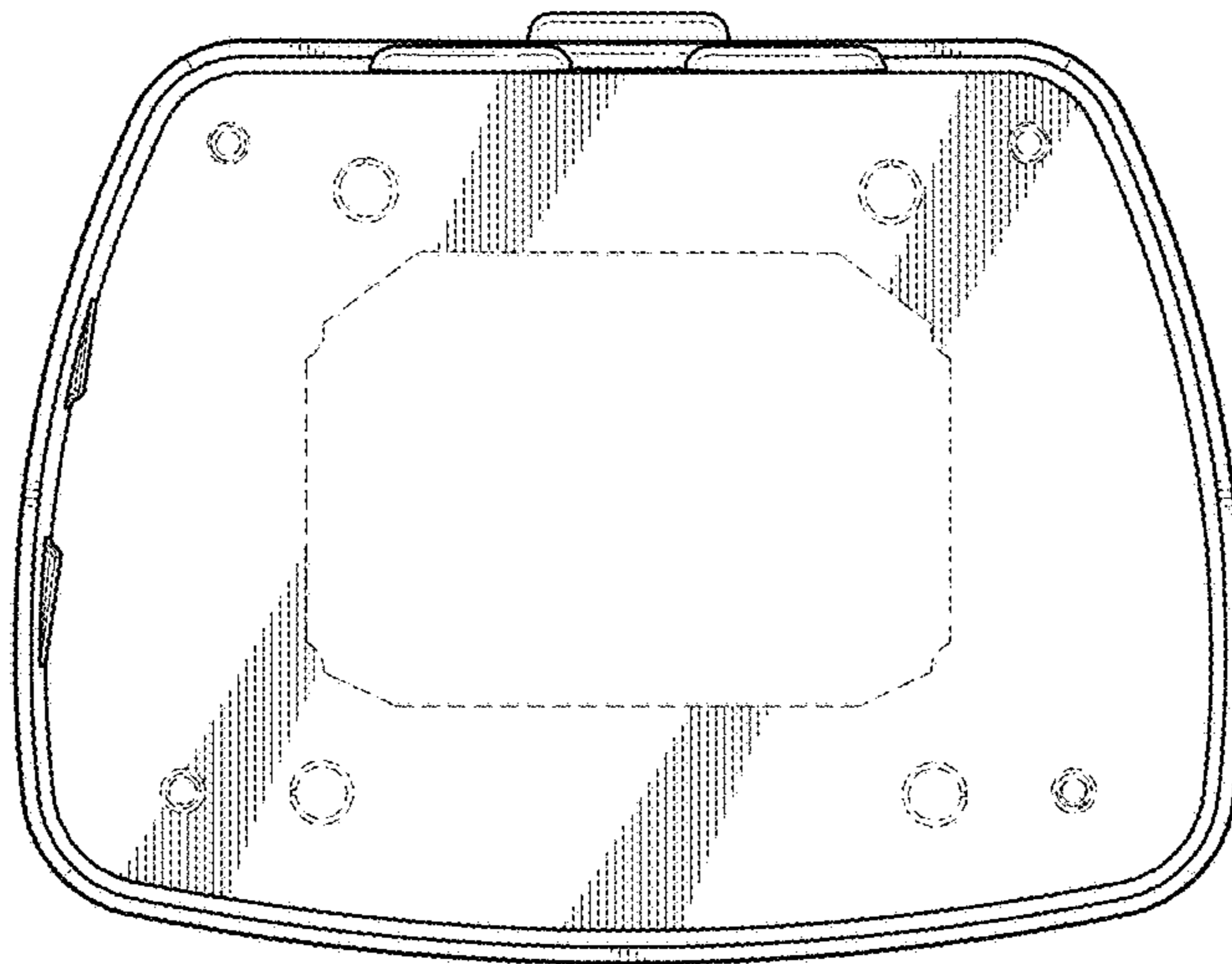


FIG. 7