



US00D864791S

(12) **United States Design Patent**
Roberts

(10) **Patent No.:** **US D864,791 S**

(45) **Date of Patent:** **** Oct. 29, 2019**

(54) **CARAVAN**
(71) Applicant: **Piers Roberts**, Solihull (GB)
(72) Inventor: **Piers Roberts**, Solihull (GB)
(**) Term: **15 Years**
(21) Appl. No.: **35/504,074**
(22) Filed: **Nov. 3, 2017**

(80) **Hague Agreement Data**

Int. Filing Date: **Nov. 3, 2017**
Int. Reg. No.: **DM/098683**
Int. Reg. Date: **Nov. 3, 2017**
Int. Reg. Pub. Date: **Dec. 8, 2017**

(51) **LOC (12) Cl.** **12-10**
(52) **U.S. Cl.**
USPC **D12/103**

(58) **Field of Classification Search**
USPC D12/101, 102-106
CPC B60P 3/32; B60P 3/34; B60P 3/343; B62D
35/00; B62D 35/002; B62D 35/004;
B62D 63/06; B62D 63/061; B62D
63/062; B62D 63/068; B62D 63/08
See application file for complete search history.

(56) **References Cited**

U.S. PATENT DOCUMENTS

D97,140 S * 10/1935 McFall D12/103
D98,650 S * 2/1936 Kaunitz et al. D12/103
D163,631 S * 6/1951 Powell D12/103
D181,272 S * 10/1957 Bird D12/103
D187,786 S * 5/1960 Clark D12/103
D194,662 S * 2/1963 Zale D12/102
3,574,388 A * 4/1971 Stone B60P 3/32
280/43.23
D223,751 S * 6/1972 Palumbo D12/103
D224,589 S * 8/1972 Chow D12/103
D225,159 S * 11/1972 Gardner et al. D12/103

D231,344 S * 4/1974 Miller et al. D12/103
D231,918 S * 6/1974 Smith D12/103
3,887,226 A * 6/1975 Hart B60P 3/34
296/169
D236,334 S * 8/1975 Heath D12/103
D242,851 S * 12/1976 Sakow D12/103
D249,256 S * 9/1978 Simoneau D12/103
D258,949 S * 4/1981 White D12/103
D271,388 S * 11/1983 Bourke D12/103
D292,196 S * 10/1987 Dooley D12/97
4,728,144 A * 3/1988 Crean B60P 3/32
296/156
4,890,879 A * 1/1990 Hurlock B62D 35/002
296/156
D314,165 S * 1/1991 Sanders D12/103
D328,728 S * 8/1992 Shea, Sr. D12/103
D340,430 S * 10/1993 Krah D12/103
D344,473 S * 2/1994 Romesburg D12/102
D354,023 S * 1/1995 Romesburg D12/102
5,653,494 A * 8/1997 Cleall B60P 3/34
280/19.1
D392,921 S * 3/1998 McCloud D12/103

(Continued)

Primary Examiner — Darlington Ly

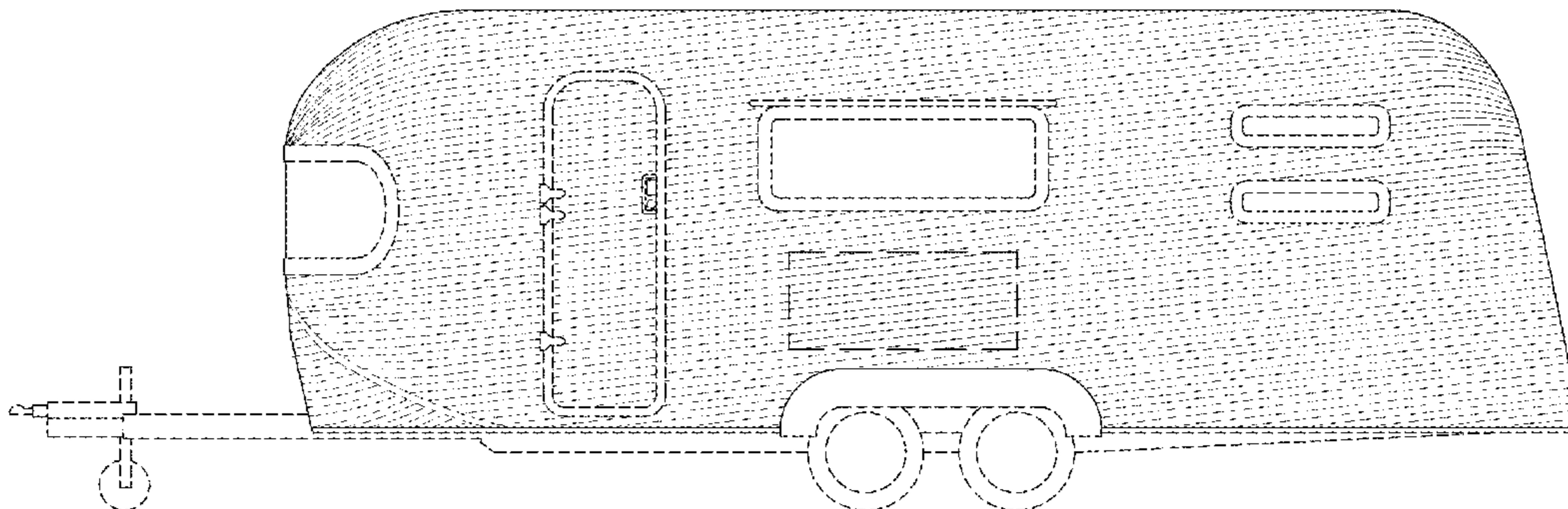
(57) **CLAIM**

The ornamental design for a caravan, as shown and described.

DESCRIPTION

1. Caravan
1.1 is a left side elevation view of a caravan showing my new design;
1.2 is a front and left side perspective view thereof;
1.3 is a front elevation view thereof;
1.4 is a right side elevation view thereof;
1.5 is a rear elevation view thereof; and
1.6 is a top plan view thereof.
No protection is sought for features shown in shorter dashed lines. The longer dashed line is the boundary of the claimed design and forms no part thereof. The solid lines in the reproductions show the claimed design.

1 Claim, 6 Drawing Sheets



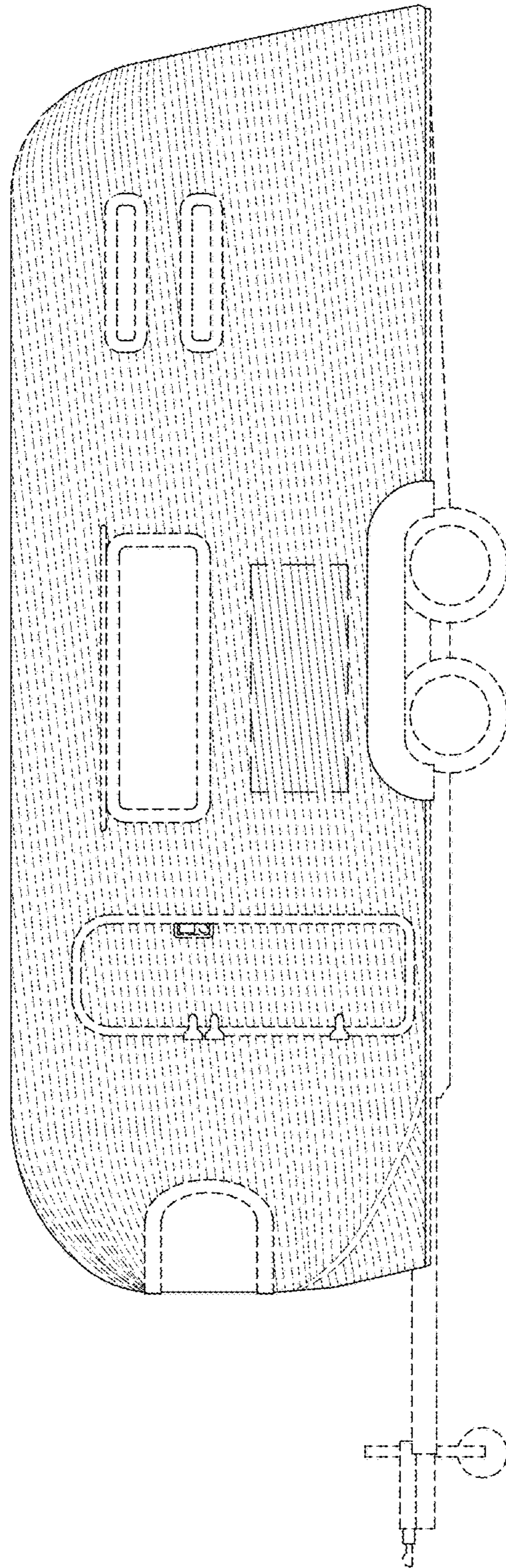
(56)

References Cited

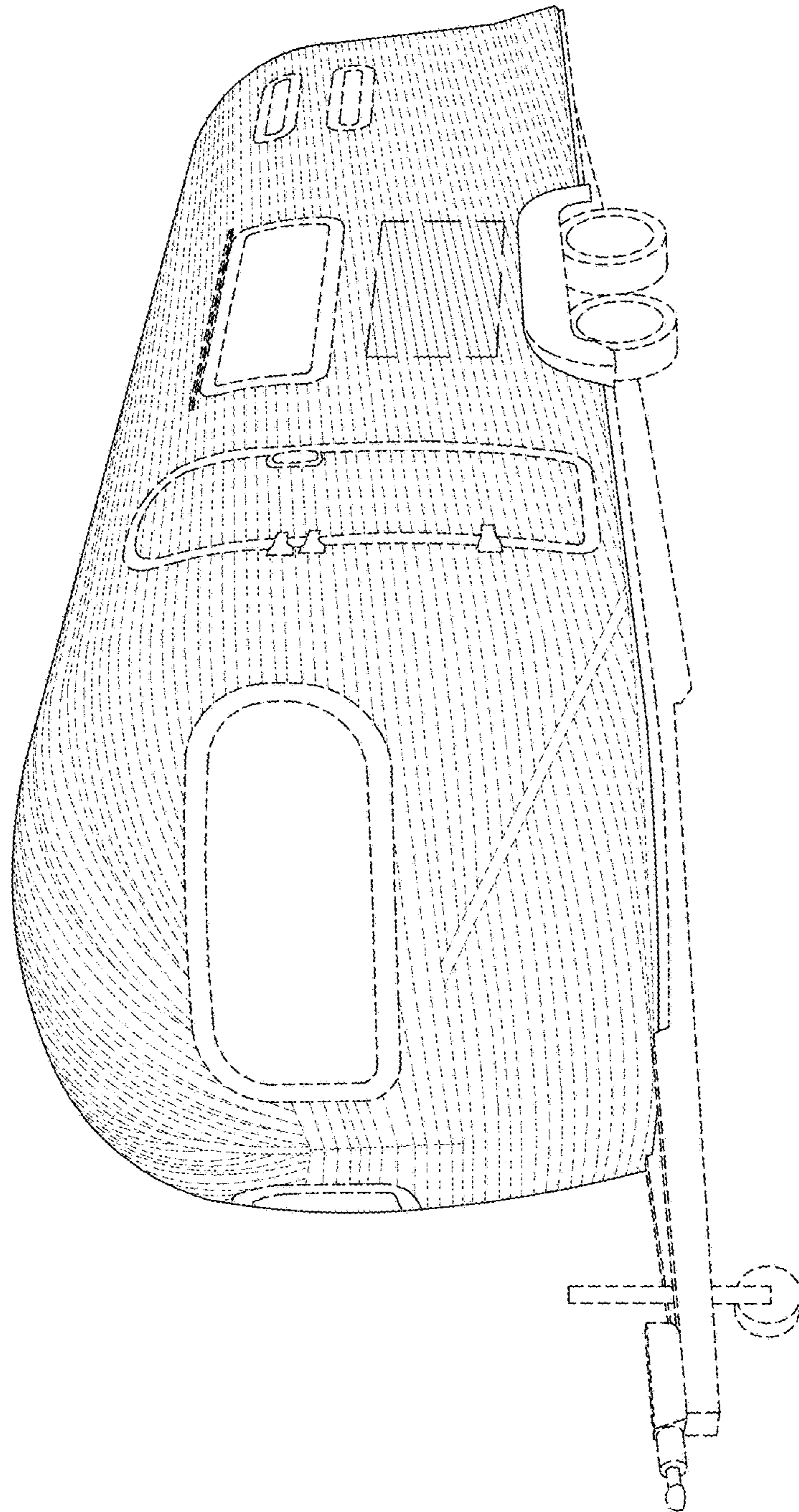
U.S. PATENT DOCUMENTS

D458,190	S	*	6/2002	LeDonne	D12/102
D458,876	S	*	6/2002	Kendall	D12/103
D522,922	S	*	6/2006	Swails	D12/103
D542,185	S	*	5/2007	Remington	D12/103
7,234,761	B1	*	6/2007	Crean	B60P 3/343
					296/180.1
D561,063	S	*	2/2008	Hughes	D12/102
D568,793	S	*	5/2008	Oliver	D12/103
D589,847	S	*	4/2009	Sasnoswki	D12/102
D610,489	S	*	2/2010	Rodabaugh	D12/102
D617,685	S	*	6/2010	Rodabaugh	D12/103
D689,402	S	*	9/2013	Lee	D12/103
D690,621	S	*	10/2013	Rose	D12/105
D692,353	S	*	10/2013	Kiez	D12/103
D737,726	S	*	9/2015	Austin	D12/104
D823,170	S	*	7/2018	Finney	D12/103
D826,787	S	*	8/2018	Goral	D12/103

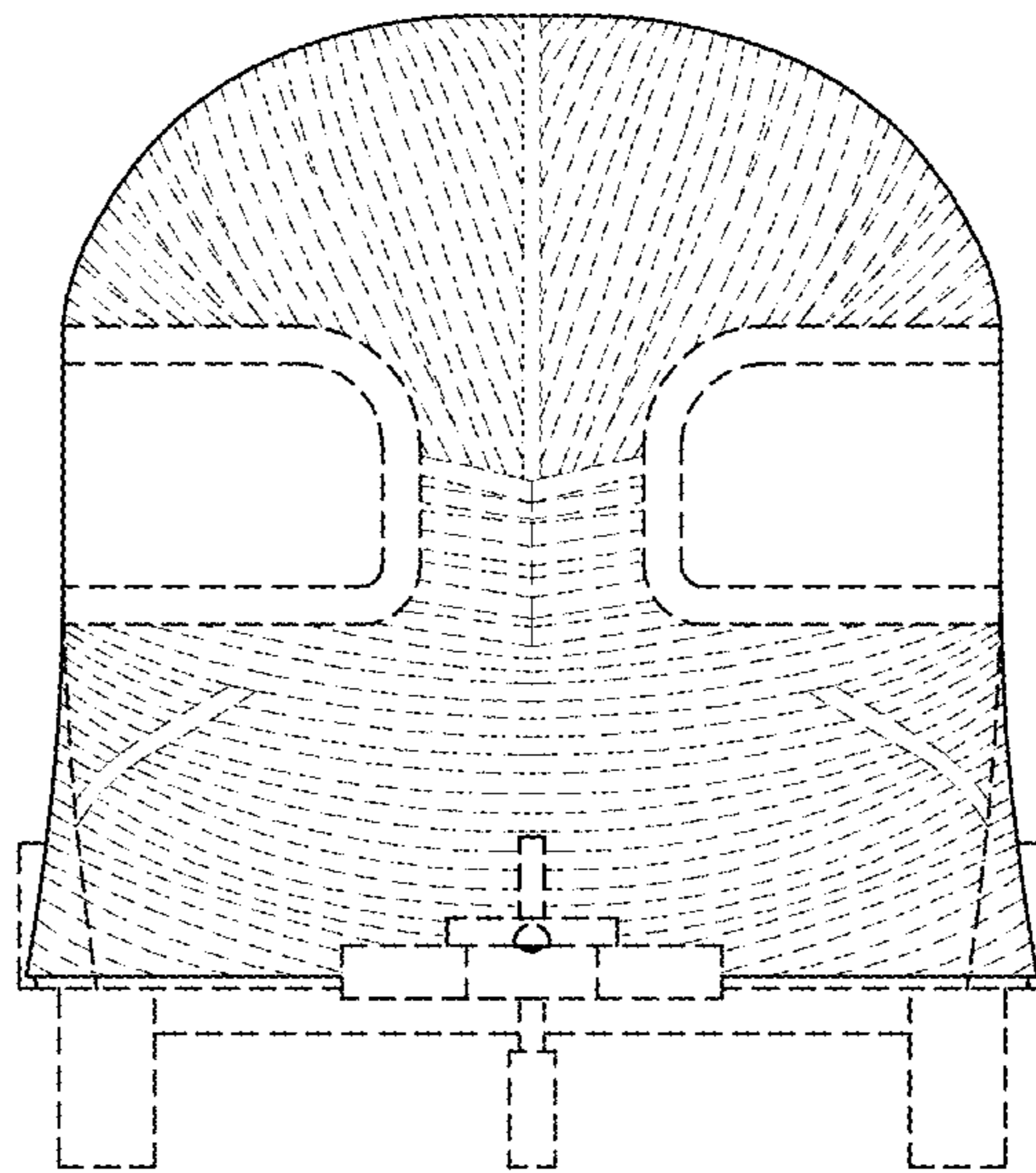
* cited by examiner

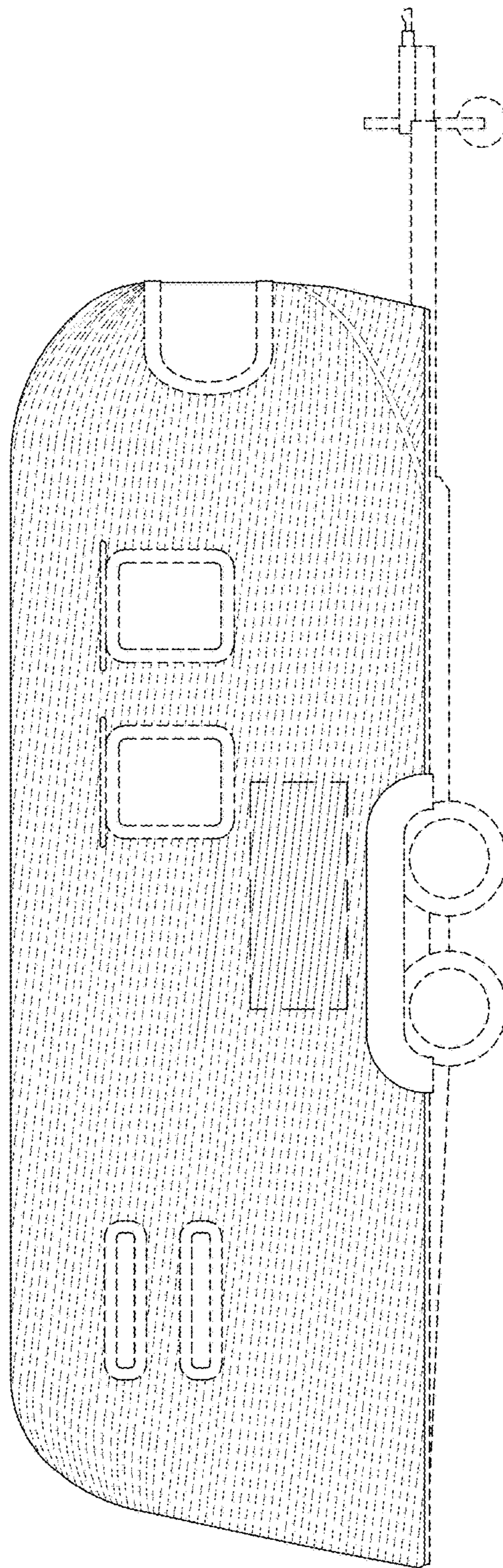


1.1

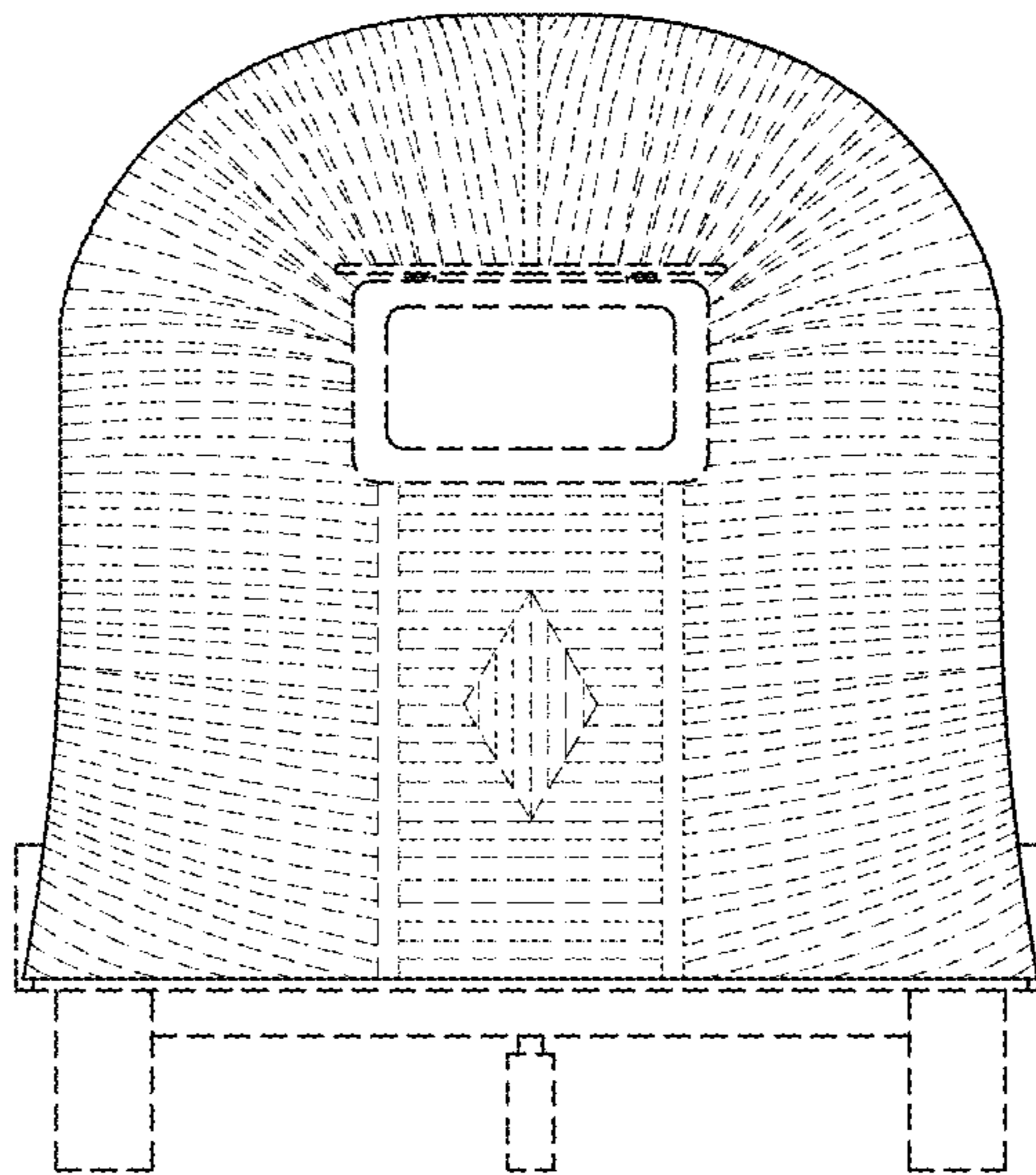


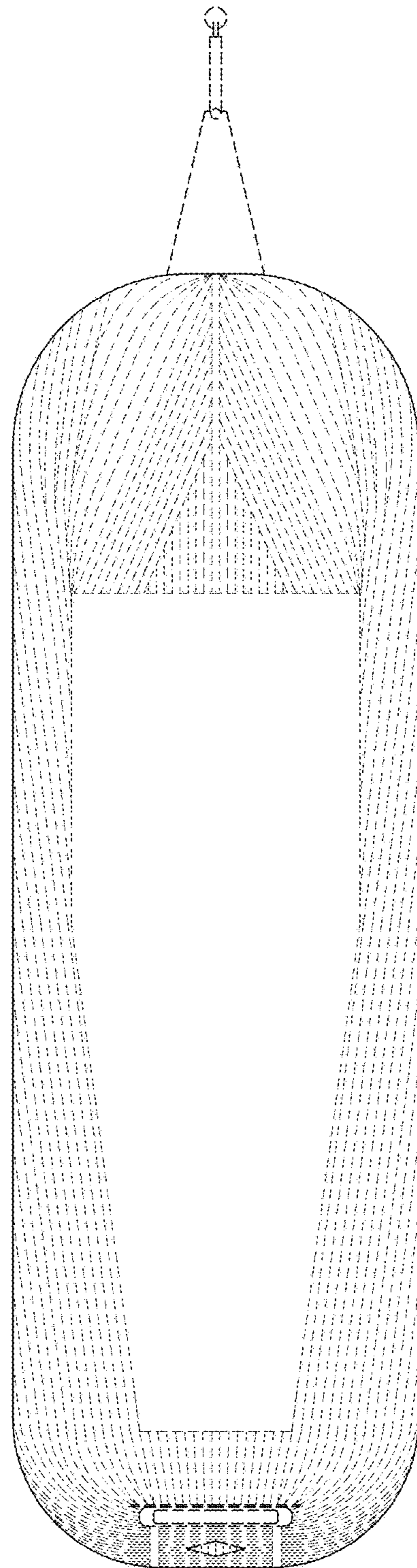
1.3





1.5





1.6