

US00D864790S

(12) **United States Design Patent**
Zheng et al.

(10) **Patent No.:** **US D864,790 S**

(45) **Date of Patent:** **** Oct. 29, 2019**

(54) **VEHICLE**

(71) Applicant: **CHILWEE POWER CO. LTD.**,
Huzhou (CN)

(72) Inventors: **Pengfei Zheng**, Huzhou (CN);
Mingming Zhou, Huzhou (CN); **Tixian Chen**,
Huzhou (CN); **Houxun Li**, Huzhou (CN); **Jiaxi Li**,
Huzhou (CN); **Mengxin Wu**, Huzhou (CN); **Xuefeng Yang**,
Huzhou (CN)

(73) Assignee: **CHILWEE POWER CO. LTD.**,
Huzhou (CN)

(**) Term: **15 Years**

(21) Appl. No.: **29/580,374**

(22) Filed: **Oct. 7, 2016**

(30) **Foreign Application Priority Data**

Apr. 8, 2016 (CN) 2016 3 0114061

(51) **LOC (12) Cl.** **12-16**

(52) **U.S. Cl.**
USPC **D12/96**

(58) **Field of Classification Search**

USPC D12/1, 101, 102, 103, 104, 105, 106,
D12/111, 112, 86, 88, 90, 91, 92, 93, 95,
D12/96, 99; D15/22, 23, 24, 25, 26, 30;
D21/424, 433, 434

CPC B60P 1/00; B60P 3/00; B60P 3/32; B60P
3/34

See application file for complete search history.

(56) **References Cited**

U.S. PATENT DOCUMENTS

D344,472 S * 2/1994 Savio D12/96
D411,142 S * 6/1999 Sacco D12/96

D412,683 S * 8/1999 Sacco D12/96
D416,829 S * 11/1999 Sacco D12/96
D422,534 S * 4/2000 Hellhake D12/96
D423,411 S * 4/2000 Takei D12/93
D456,311 S * 4/2002 Yamamoto D12/86
D466,837 S * 12/2002 Buring D12/93
D531,086 S * 10/2006 Zhang D12/90
D540,218 S * 4/2007 Sekiguchi D12/96
D570,739 S * 6/2008 Emoto D12/96
D619,049 S * 7/2010 Beigel D12/96
D623,092 S * 9/2010 Beigel D12/96
D632,614 S * 2/2011 Iuchi D12/96
D653,994 S * 2/2012 Fukushima D12/96
D729,122 S * 5/2015 Koos D12/96
D729,123 S * 5/2015 Koos D12/96
D828,224 S * 9/2018 Janssen D12/91
D830,900 S * 10/2018 Suzuki D12/86

* cited by examiner

Primary Examiner — Susan E Krakower

Assistant Examiner — Jerry Shiuan-Hua Hsu

(74) *Attorney, Agent, or Firm* — Volpe and Koenig, P.C.

(57) **CLAIM**

The ornamental design for a vehicle, as shown and described.

DESCRIPTION

FIG. 1 is a perspective view of a vehicle in accordance with our new design;

FIG. 2 is a front view thereof;

FIG. 3 is a left view thereof;

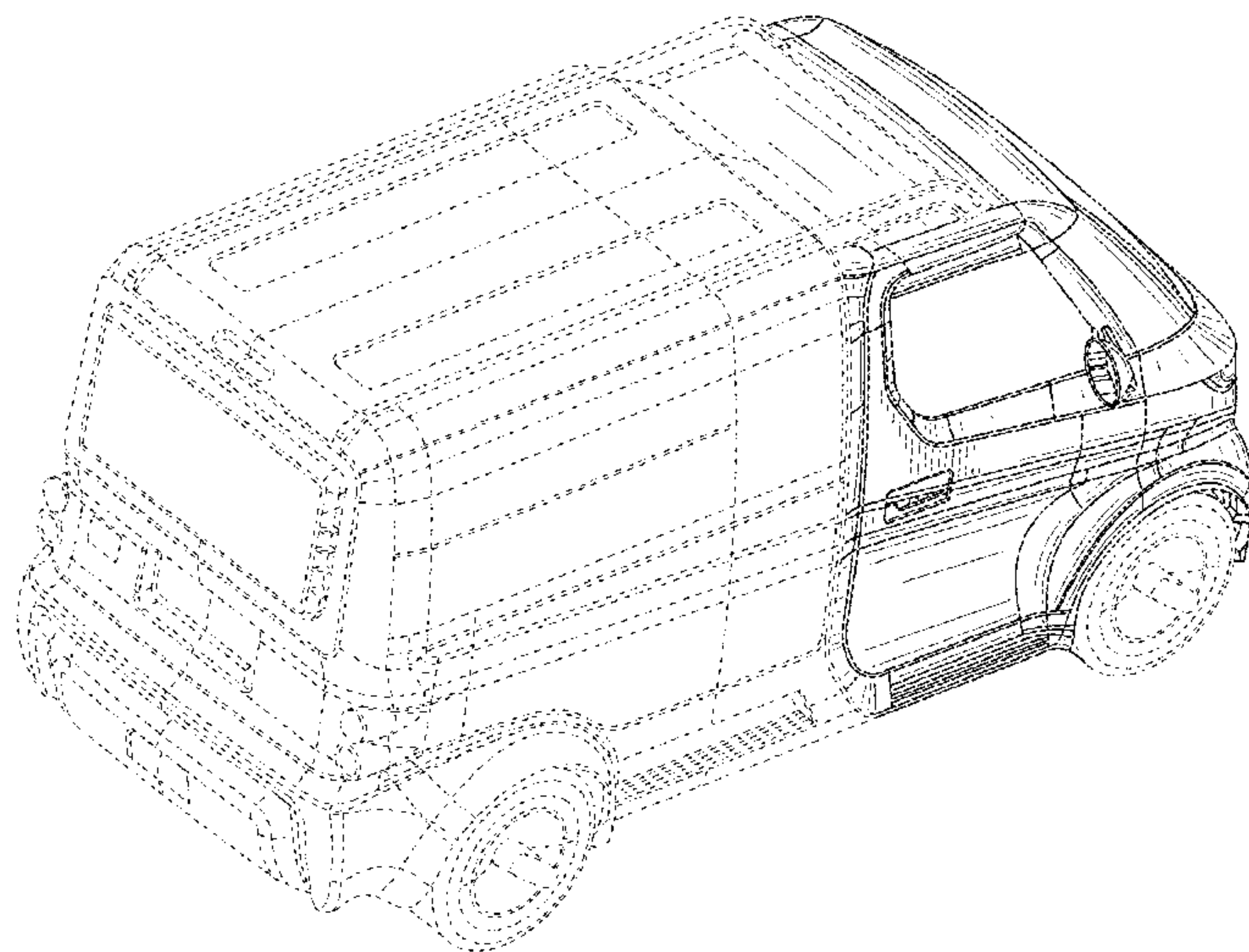
FIG. 4 is a right view thereof;

FIG. 5 is a rear view thereof; and,

FIG. 6 is a top view thereof.

The broken lines illustrate portions of the vehicle that form no part of the claimed design.

1 Claim, 6 Drawing Sheets



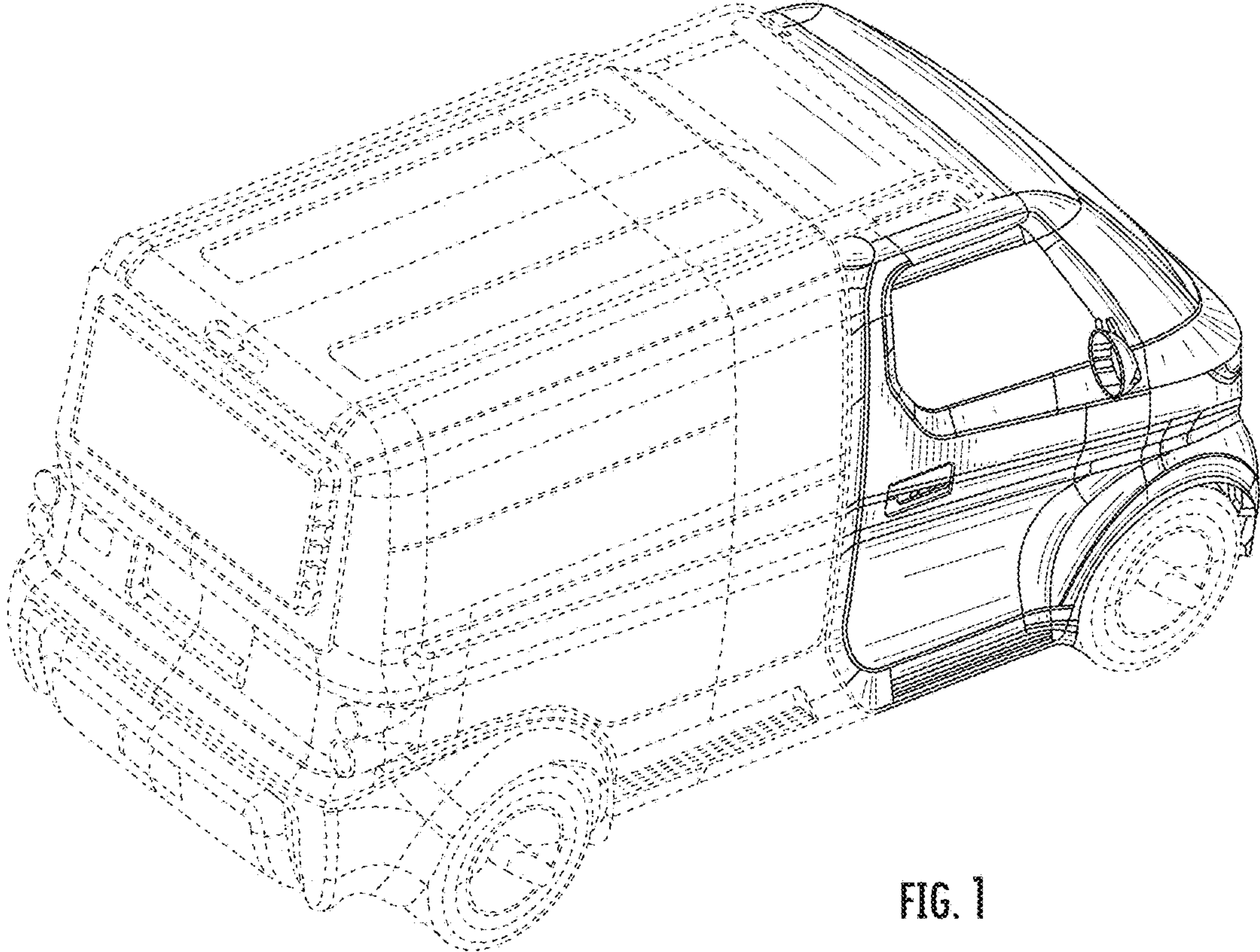


FIG. 1

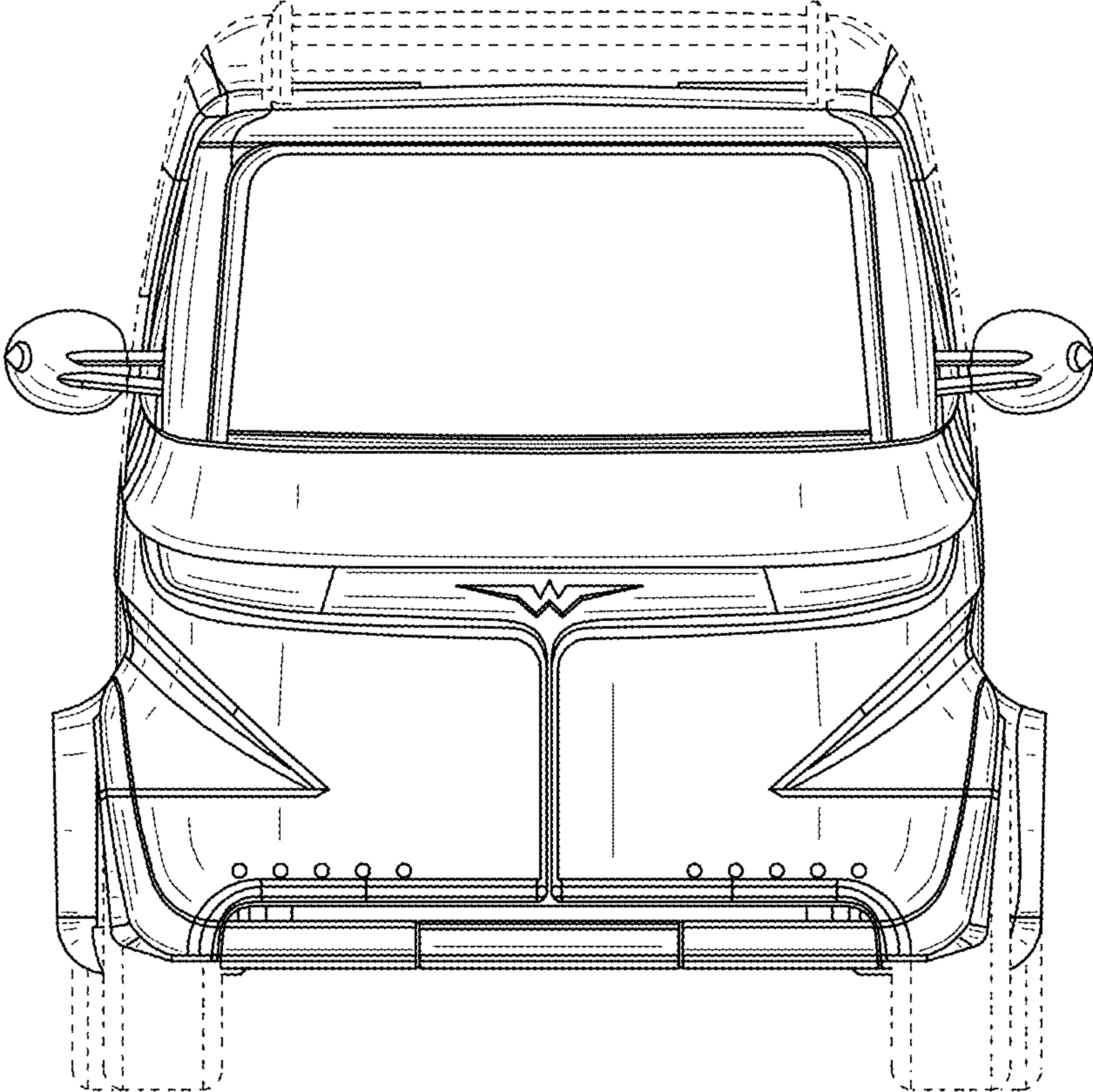


FIG. 2

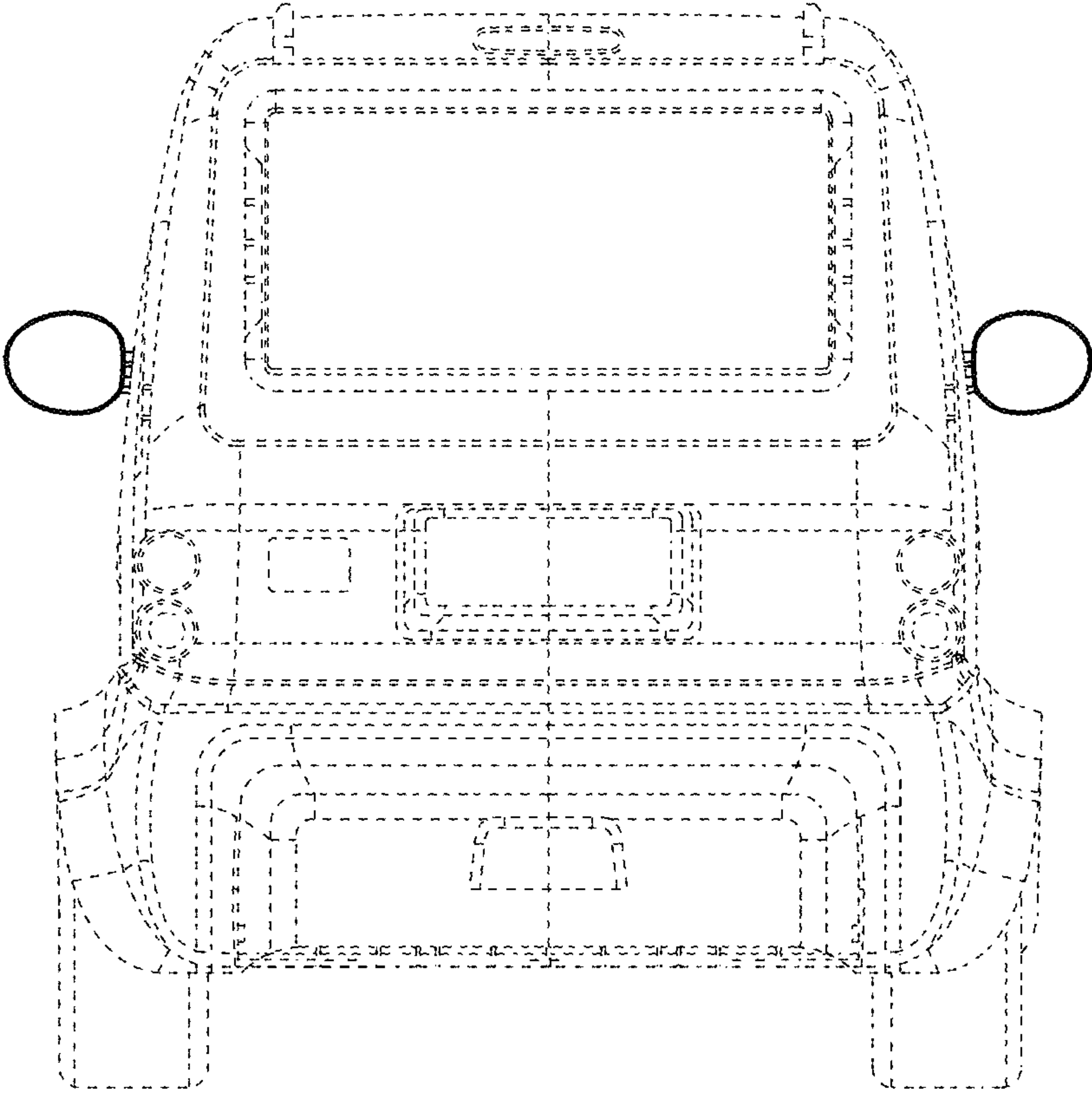


FIG. 3

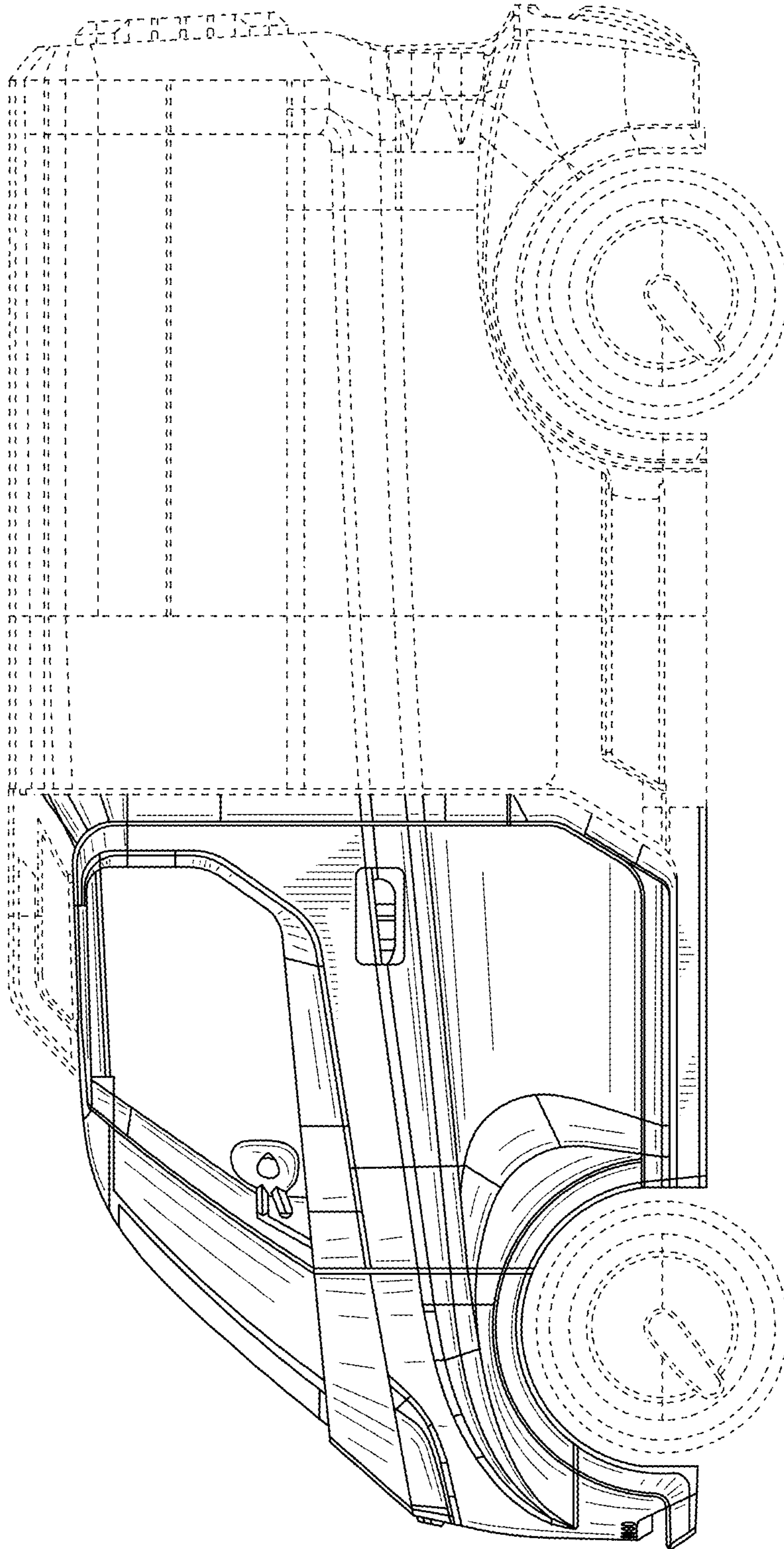


FIG. 4

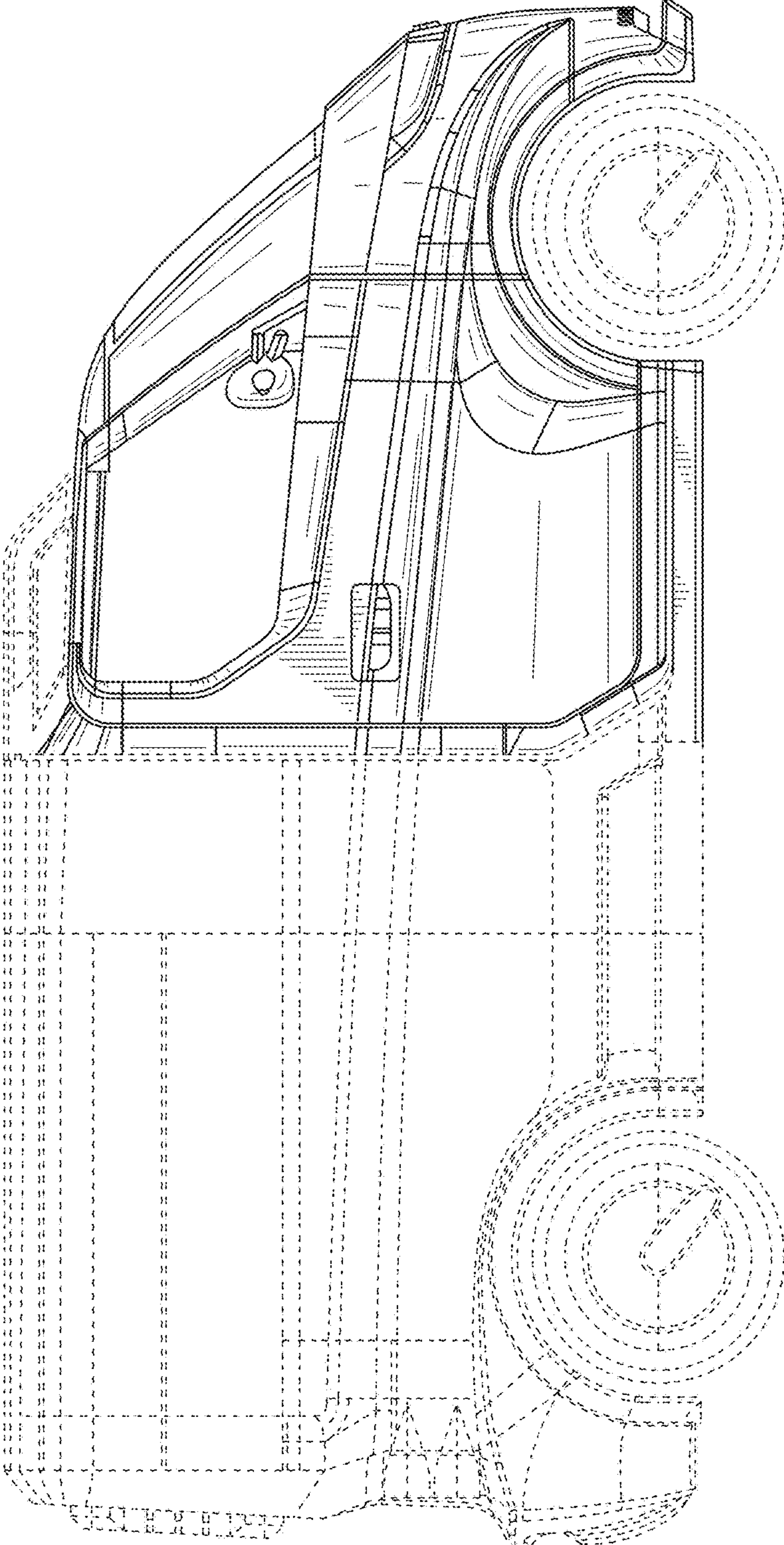


FIG. 5

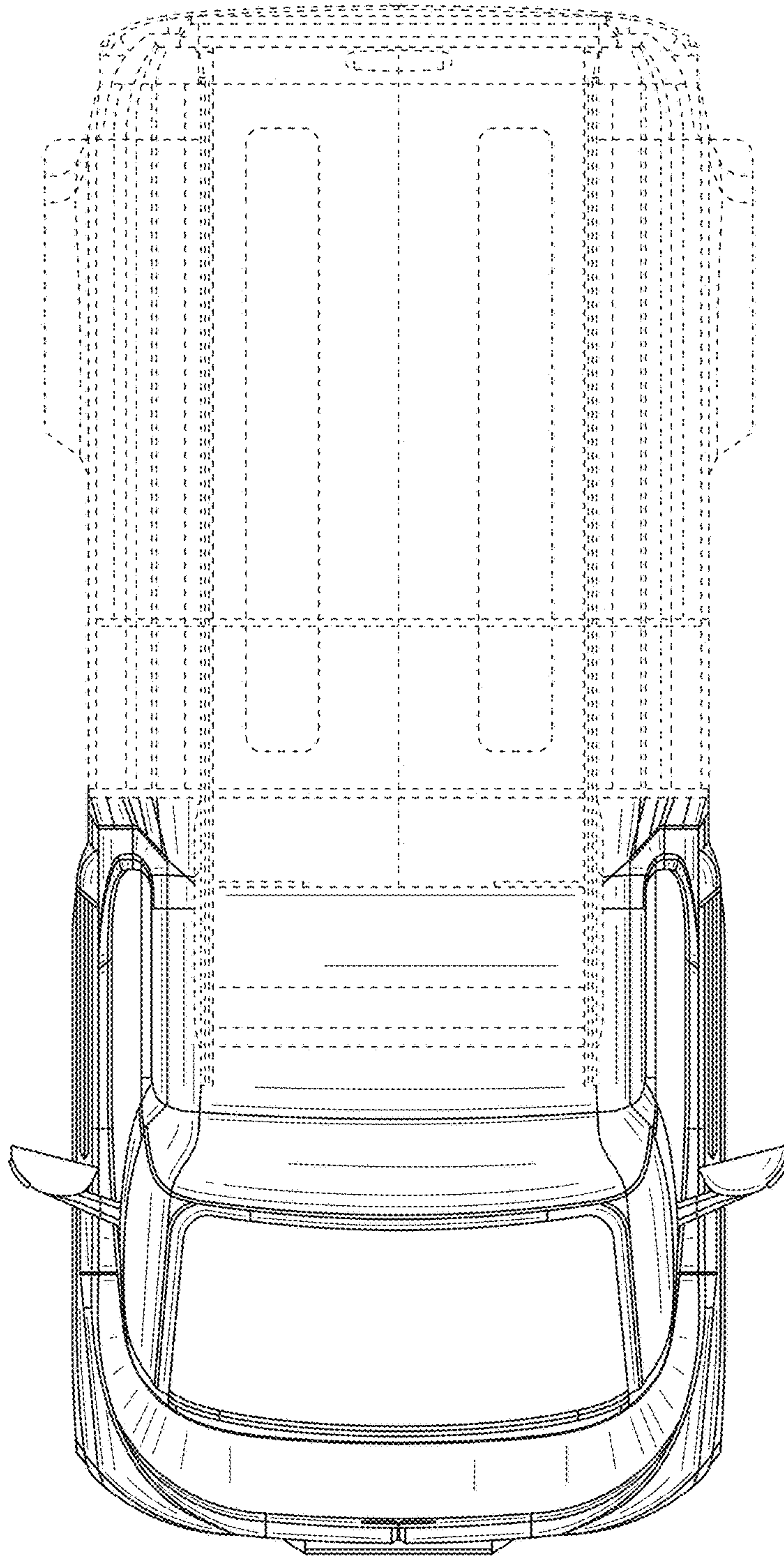


FIG. 6