

US00D864787S

(12) **United States Design Patent**
Bessho

(10) **Patent No.:** **US D864,787 S**

(45) **Date of Patent:** **** Oct. 29, 2019**

- (54) **BUCKLE FOR GARMENT BELT**
- (71) Applicant: **Nobuyori Bessho**, Nishinomiya (JP)
- (72) Inventor: **Nobuyori Bessho**, Nishinomiya (JP)
- (**) Term: **15 Years**
- (21) Appl. No.: **29/630,995**
- (22) Filed: **Dec. 26, 2017**
- (51) **LOC (12) Cl.** **02-07**
- (52) **U.S. Cl.**
USPC **D11/216**
- (58) **Field of Classification Search**
USPC D2/624, 626, 627, 633, 639, 640, 853,
D2/923; D3/24, 213, 215, 216, 230;
D8/14, 331, 343, 349, 356, 358, 359, 360,
D8/363, 366, 371, 382, 394, 395;
D10/32, 38; D11/1, 2, 3, 12, 16, 86, 87,
D11/93, 200, 201, 206-210, 212-218,
D11/229-237; D12/195, 416;
D29/100-101.5, 122, 129, 130; D30/139,
D30/152, 153
CPC A44B 11/00; A44B 11/02; A44B 11/04;
A44B 11/05; A44B 11/06; A44B 11/10;
A44B 11/14; A44B 11/18; A44B 11/22;
A44B 11/25; A44B 11/26; A44B 11/125;
A44B 11/223; A44B 11/001; A44B
11/005; A44B 11/006; A44B 11/2503;
A44B 11/2507; A44B 11/2526; A44B
11/2553; A44B 11/2592; A41F 1/008;
A41F 9/002; A41F 9/007; A41F 11/06;
B60R 22/30; B60R 22/32; B60R 22/022;
B60R 2022/1806; B60R 2022/1812;
B60R 2022/281; B65D 63/16; A62B
35/00

See application file for complete search history.

(56) **References Cited**

U.S. PATENT DOCUMENTS

- 982,433 A * 1/1911 Knight A44B 11/12
24/170
- 4,727,628 A * 3/1988 Rudholm A44B 11/12
24/170

- 4,987,653 A * 1/1991 Lin A44B 11/125
24/68 CD
- 5,173,996 A * 12/1992 Chou A44B 11/12
24/68 CD
- D354,457 S * 1/1995 McIntyre D11/200
- D514,021 S * 1/2006 Chang D11/216
- D682,153 S * 5/2013 Dickey D11/216
- D684,088 S * 6/2013 Fukazawa D11/216
- D739,784 S 9/2015 Bessho

FOREIGN PATENT DOCUMENTS

- JP RGN-D1579842 * 6/2017
- JP RGN-D1591789 * 11/2017
- JP 2018082964 A * 5/2018

* cited by examiner

Primary Examiner — Kevin K Rudzinski
Assistant Examiner — Richard Kearney
 (74) *Attorney, Agent, or Firm* — Hamre, Schumann,
 Mueller & Larson, P.C.

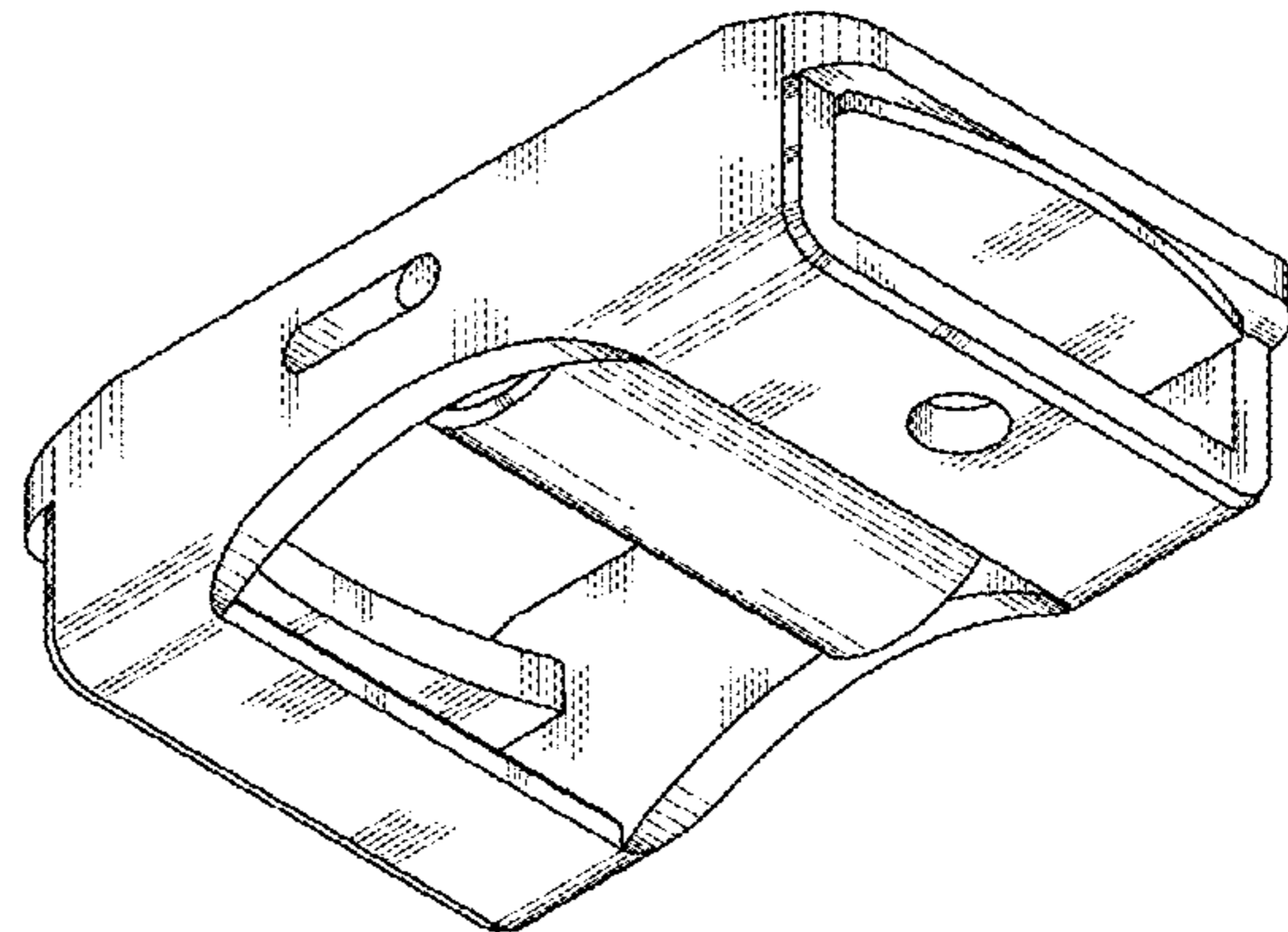
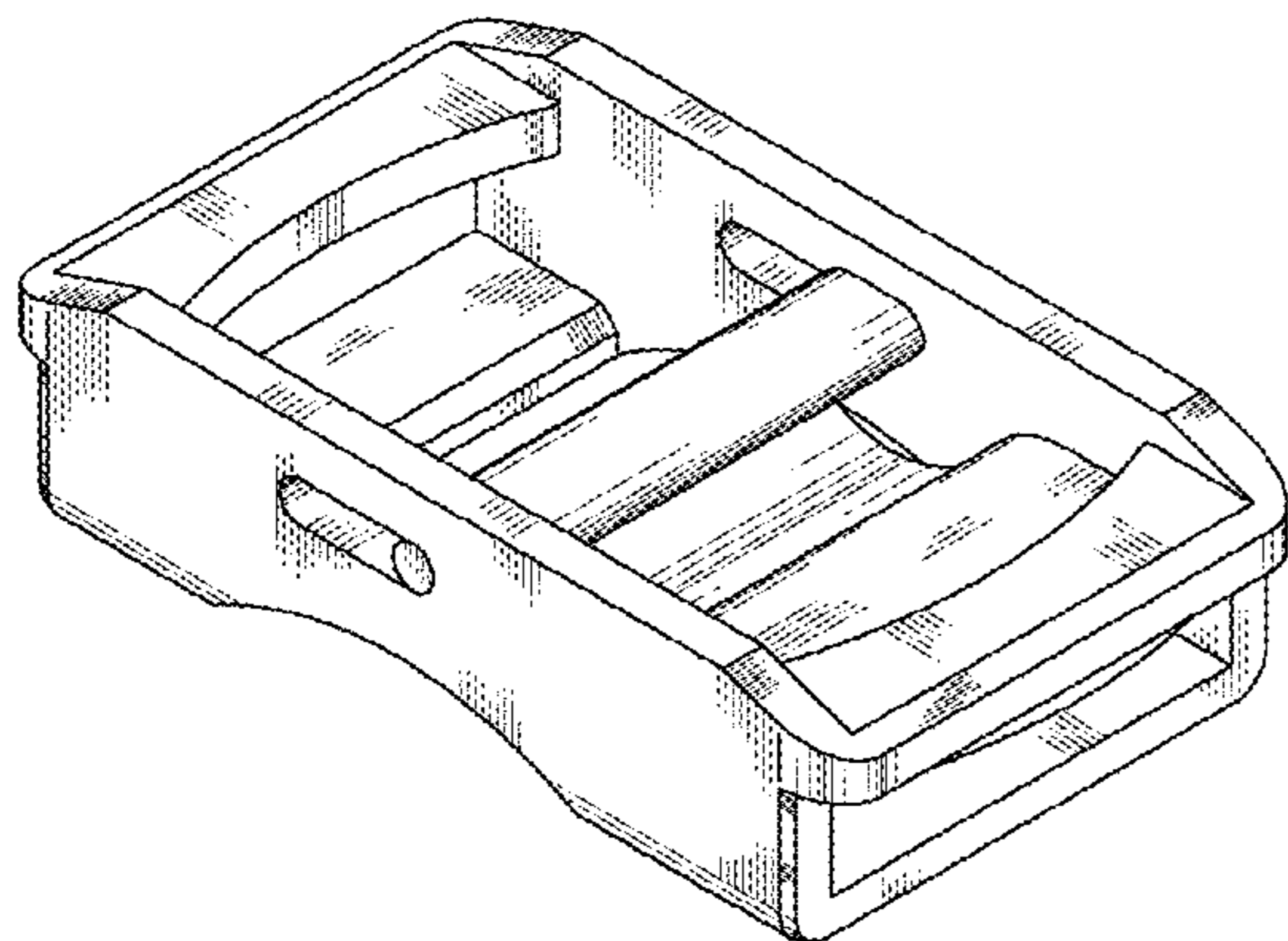
(57) **CLAIM**

The ornamental design for a buckle for garment belt, as shown and described.

DESCRIPTION

FIG. 1 is a perspective view of a buckle for garment belt showing my new design.
 FIG. 2 is another perspective view thereof.
 FIG. 3 is a front view thereof.
 FIG. 4 is a rear view thereof.
 FIG. 5 is a right side view thereof.
 FIG. 6 is a left side view thereof.
 FIG. 7 is a top view thereof.
 FIG. 8 is a bottom view thereof; and,
 FIG. 9 is a cross-sectional view taken along line 9-9 of FIG. 5.

1 Claim, 9 Drawing Sheets



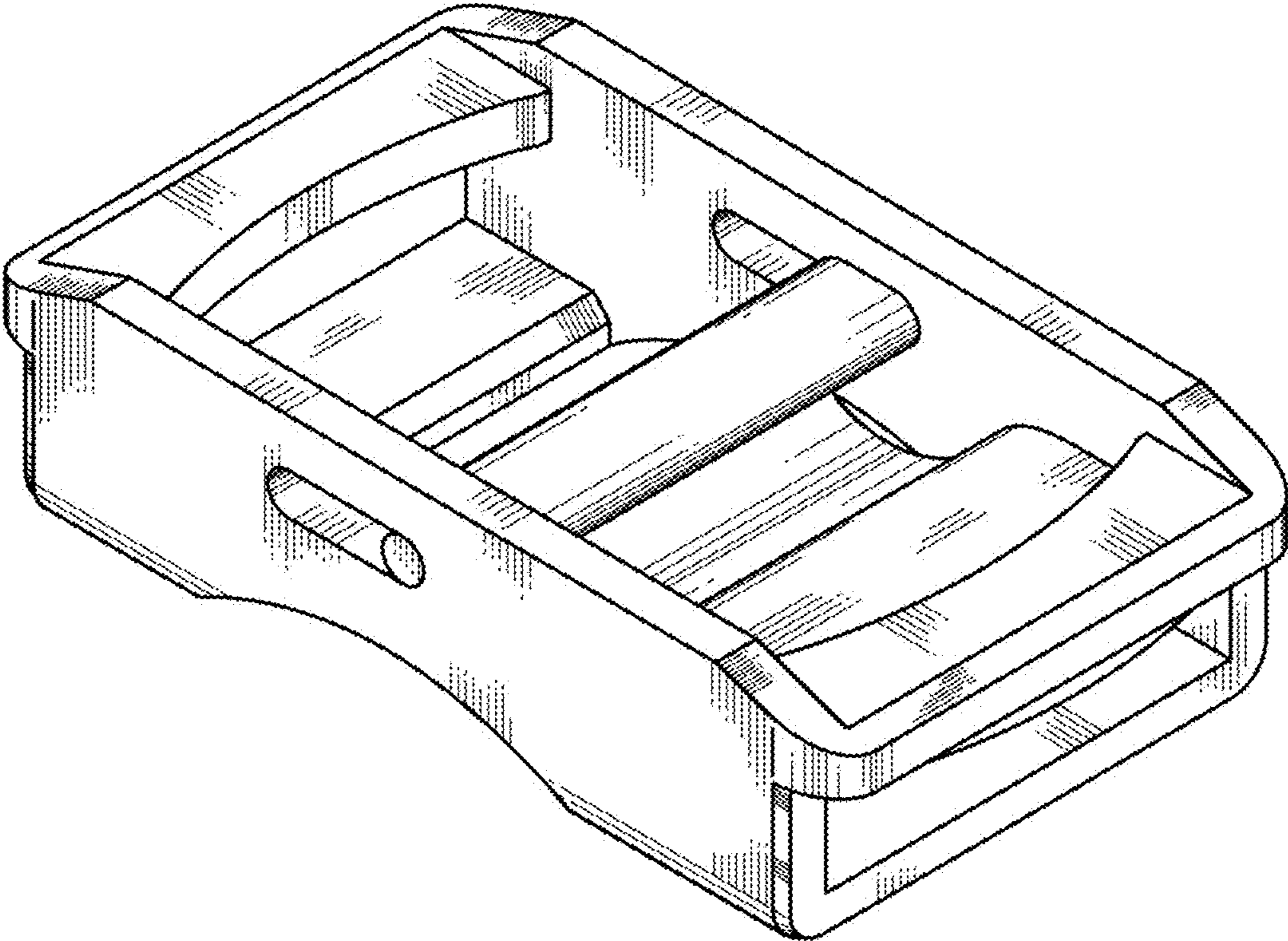


FIG. 1

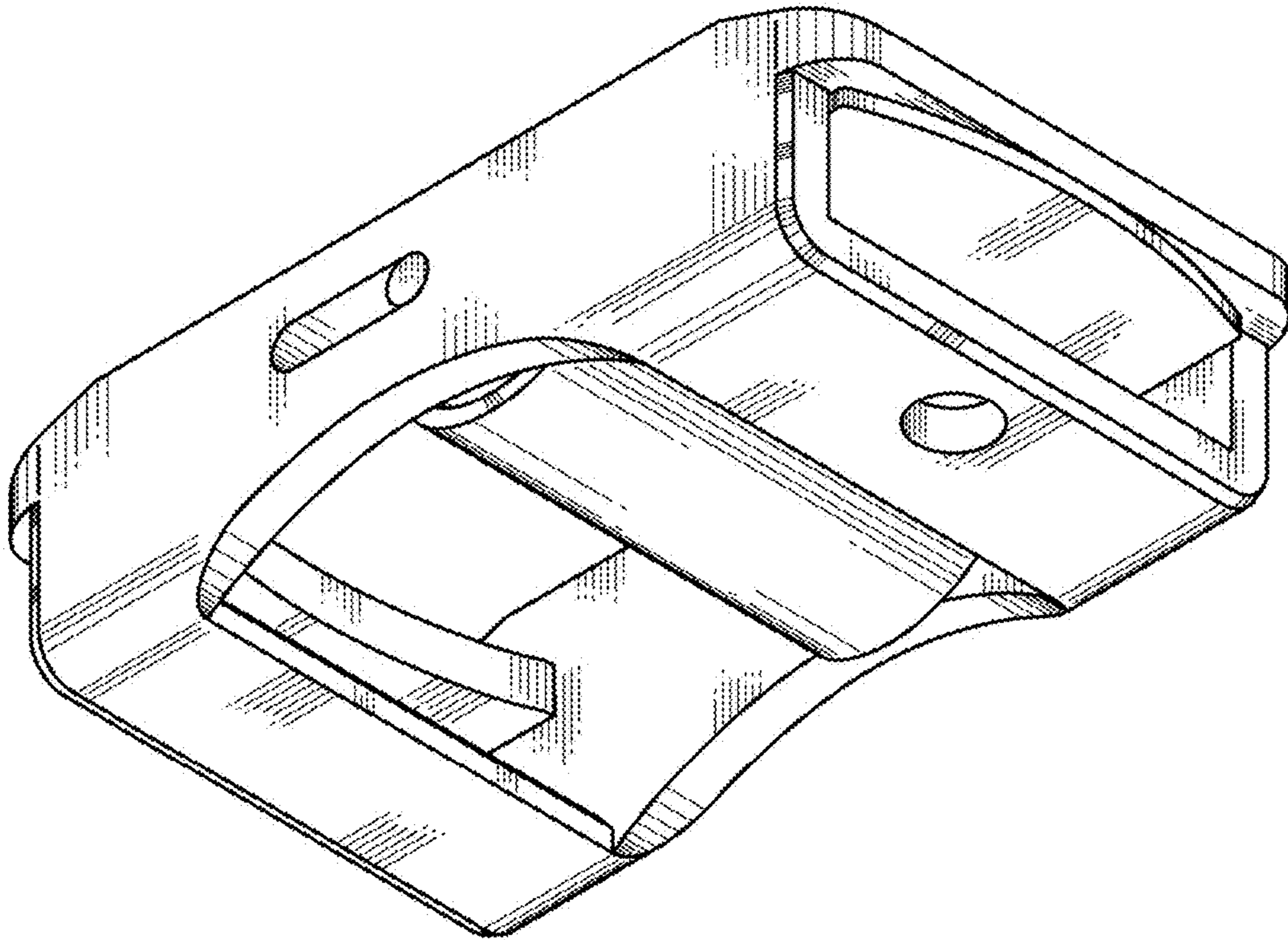


FIG. 2

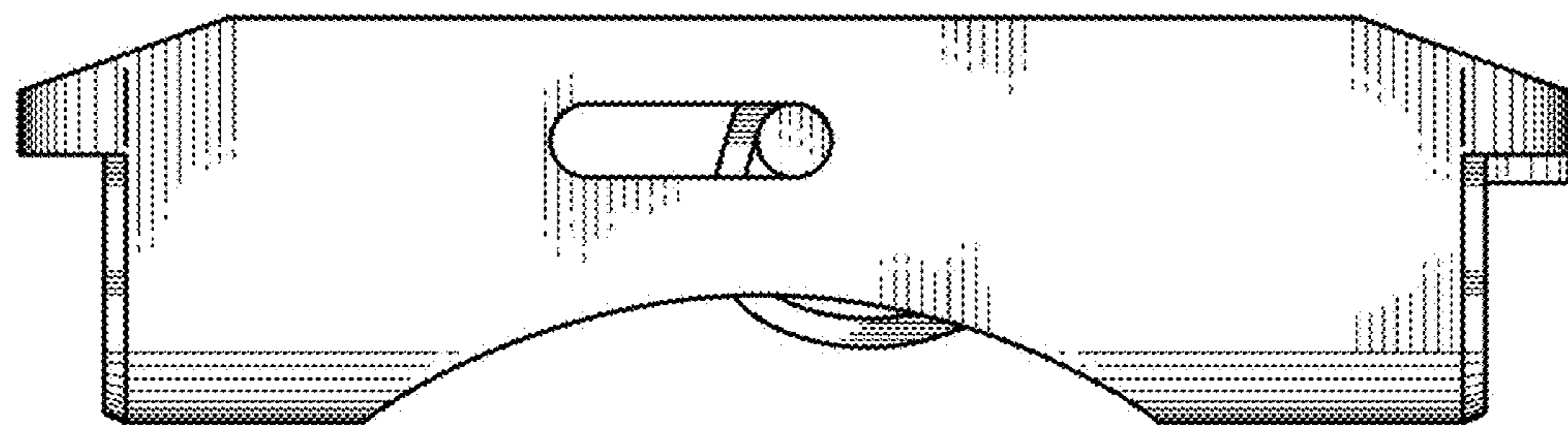


FIG. 3

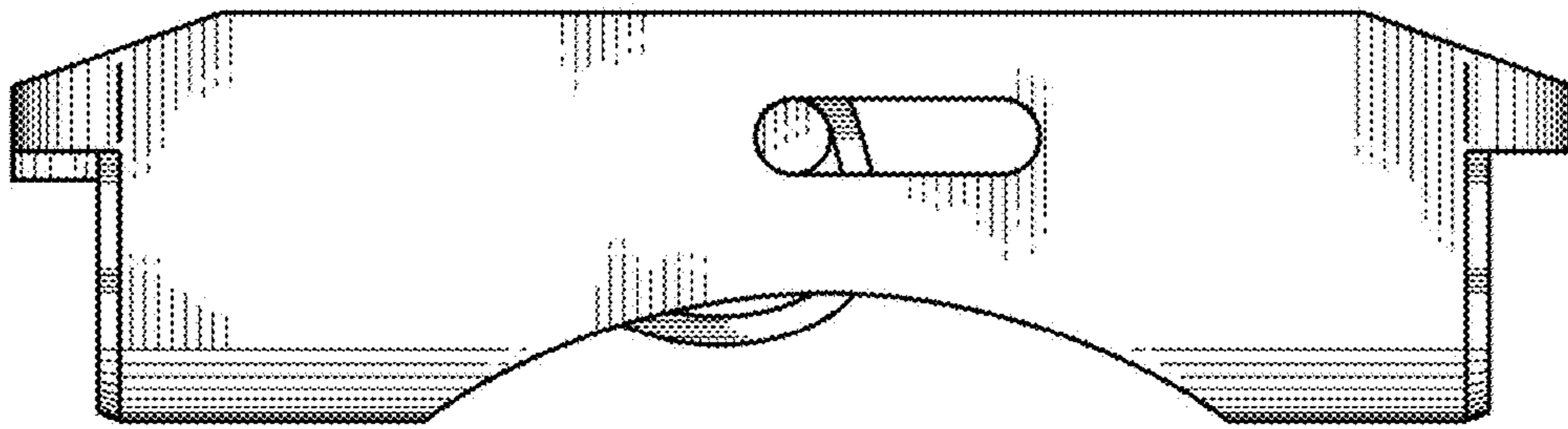


FIG. 4

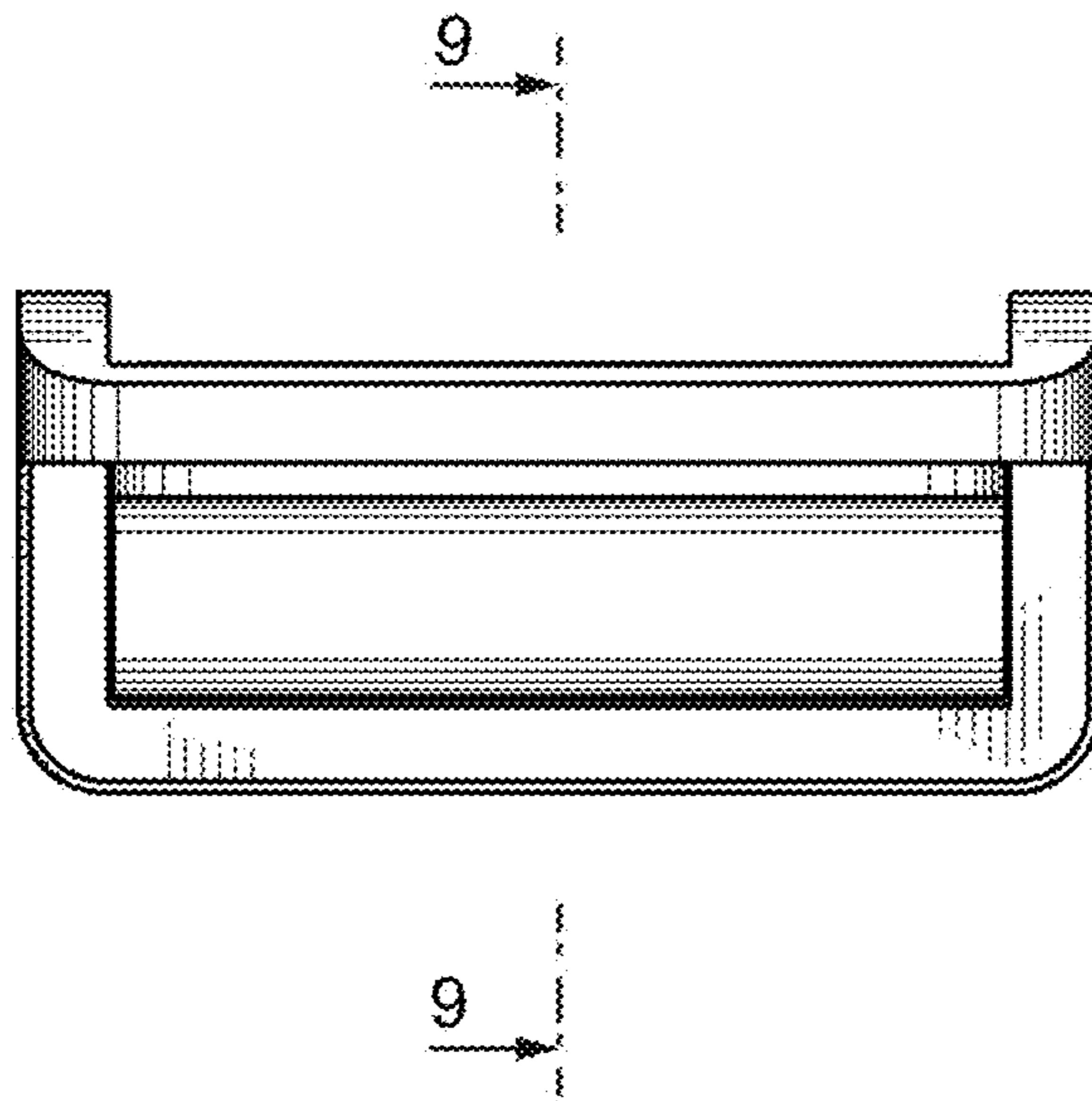


FIG. 5



FIG. 6

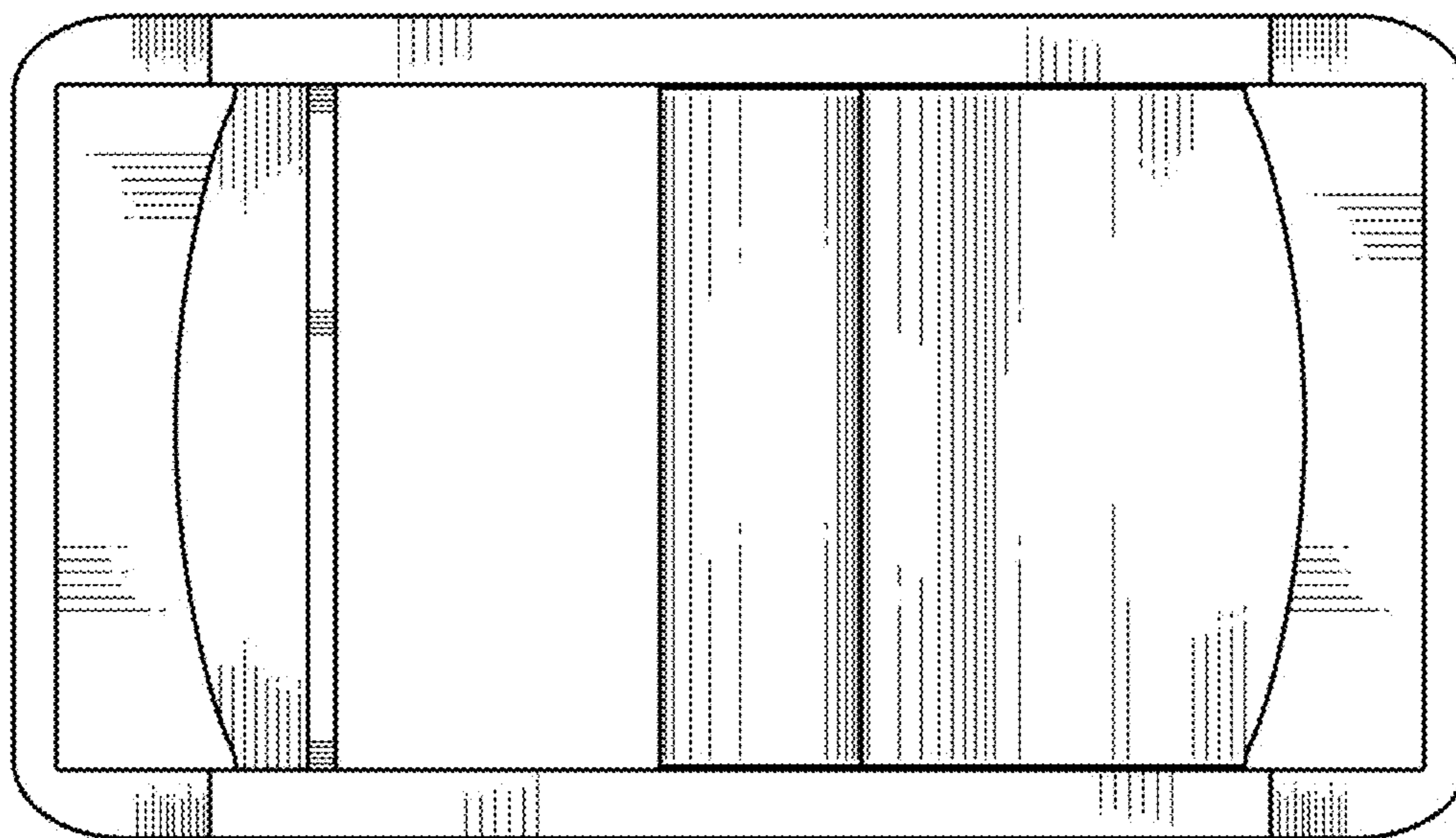


FIG. 7

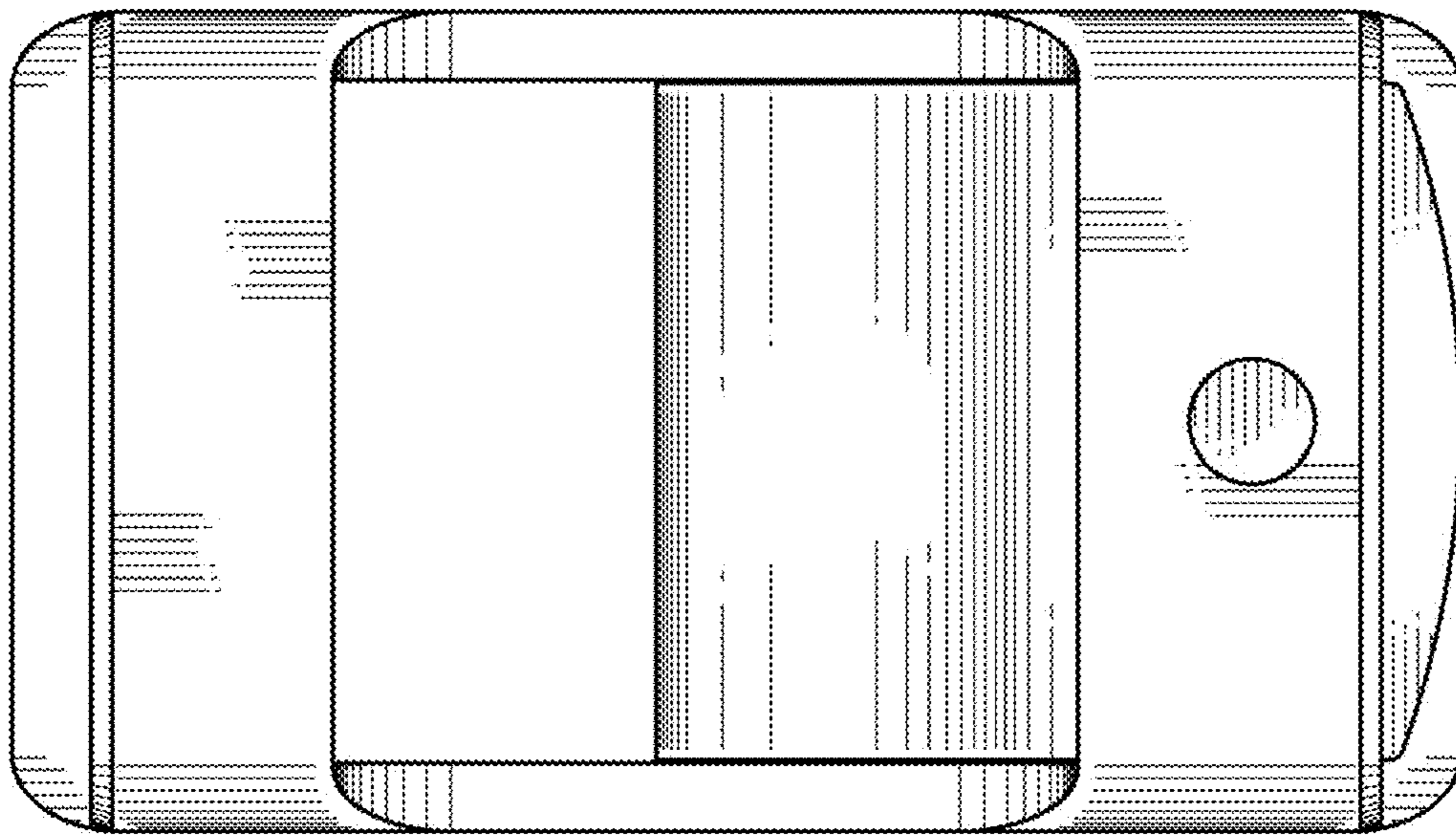


FIG. 8

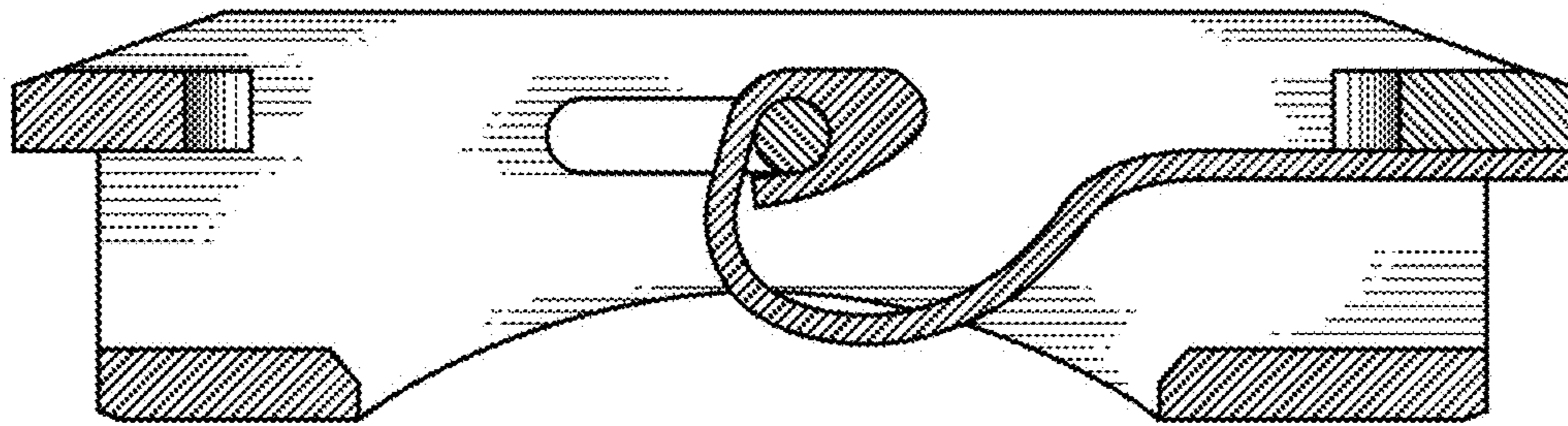


FIG. 9