



US00D864786S

(12) **United States Design Patent** (10) **Patent No.:** **US D864,786 S**
Ryan (45) **Date of Patent:** **** Oct. 29, 2019**

- (54) **HANGING BARREL CONTAINER**
- (71) Applicant: **Classic Home & Garden, LLC,**
Monroe, CT (US)
- (72) Inventor: **Fred Joseph Ryan,** Monroe, CT (US)
- (73) Assignee: **CLASSIC HOME & GARDEN, LLC,**
Monroe, CT (US)
- (**) Term: **15 Years**
- (21) Appl. No.: **29/645,477**
- (22) Filed: **Apr. 26, 2018**
- (51) **LOC (12) Cl.** **11-02**
- (52) **U.S. Cl.**
USPC **D11/149; D11/152**
- (58) **Field of Classification Search**
USPC D6/403, 556, 557; D8/1; D11/143, 149,
D11/152, 153
CPC A47G 7/047; A01G 9/22
See application file for complete search history.

(56) **References Cited**

U.S. PATENT DOCUMENTS

1,932,748	A *	10/1933	Peck	A01G 9/02 47/66.1
2,045,189	A *	6/1936	Judd	A01G 9/021 47/65.5
6,098,338	A *	8/2000	Tilton	A01G 9/02 428/15
D491,487	S *	6/2004	Buss	D11/152
D492,617	S *	7/2004	Axworthy	D11/149
D536,277	S *	2/2007	Cabeza	D11/152
D584,938	S *	1/2009	Steele	D8/359

D614,079	S *	4/2010	Woerner	D11/152
D636,699	S *	4/2011	White	D11/148
D684,891	S *	6/2013	Team	D11/149
D739,781	S *	9/2015	Pettigrew	D11/152
D739,782	S *	9/2015	Pettigrew	D11/152
D765,232	S *	8/2016	Horsfield	D23/343
D819,490	S *	6/2018	Ryan	D11/153
D823,158	S *	7/2018	Ryan	D11/155
D831,534	S *	10/2018	Wang	D11/152
D840,264	S *	2/2019	Ryan	D11/155
2017/0055459	A1 *	3/2017	Takaoka	A01G 9/02

* cited by examiner

Primary Examiner — Karen S Acker
Assistant Examiner — Steven B Reinholdt, Jr.
(74) *Attorney, Agent, or Firm* — Tutunjian & Bitetto, P.C.

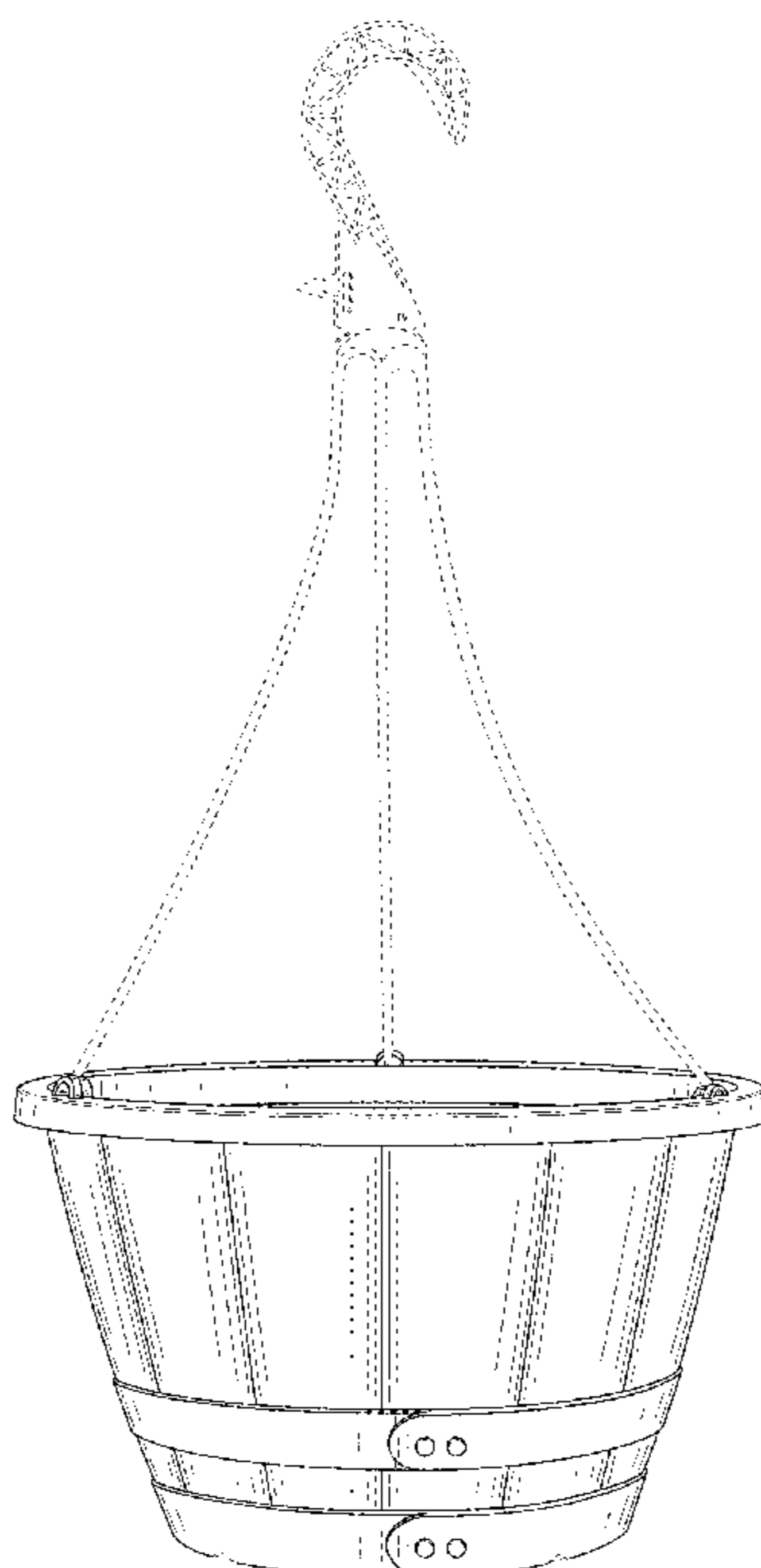
(57) **CLAIM**

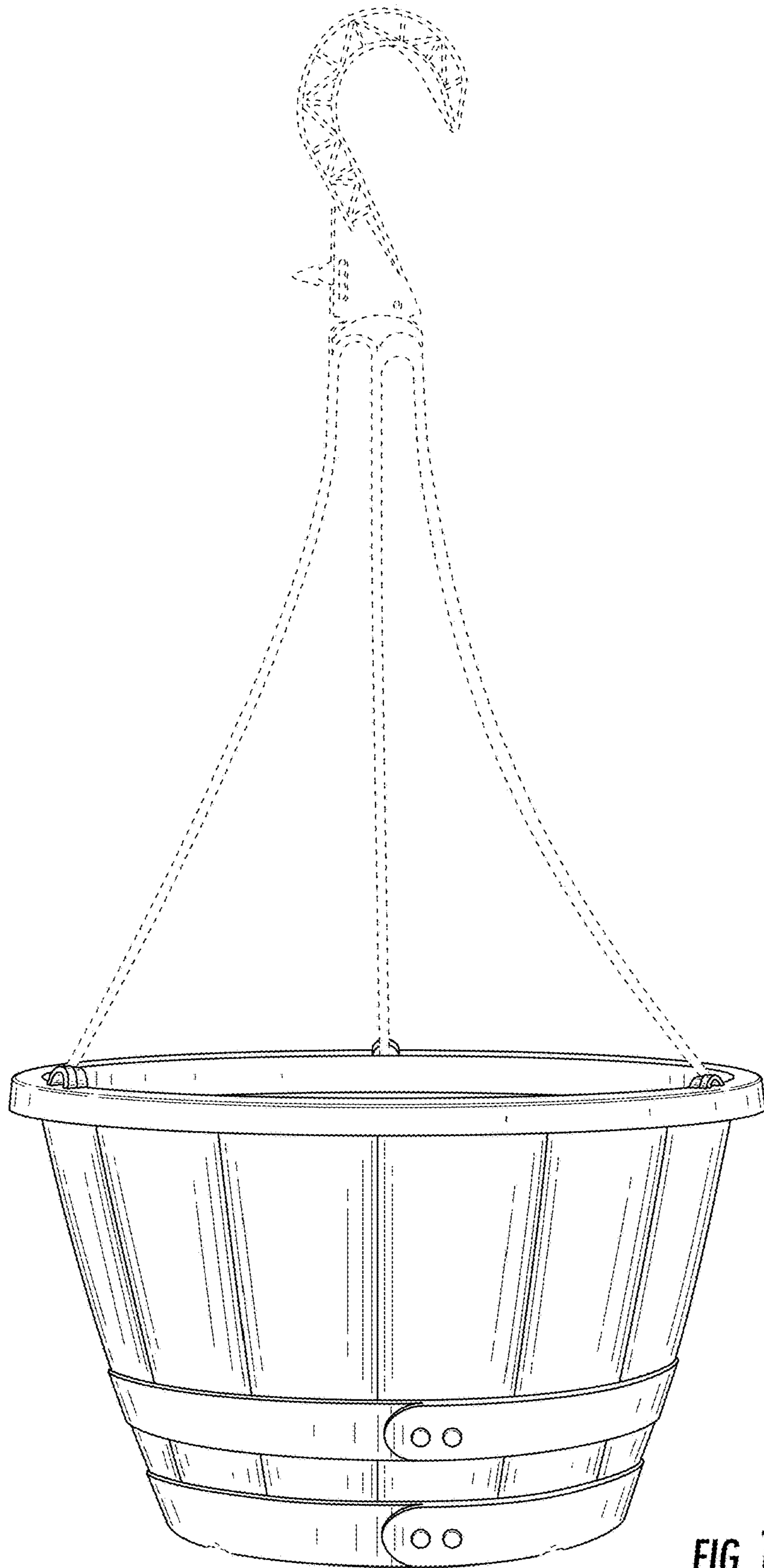
The ornamental design for a hanging barrel container, as shown and described.

DESCRIPTION

FIG. 1 is a perspective view showing my new design for a hanging barrel container;
FIG. 2 is a front view thereof;
FIG. 3 is a rear view thereof;
FIG. 4 is a right side view thereof;
FIG. 5 is a left side view thereof;
FIG. 6 is a top view thereof; and,
FIG. 7 is a bottom view thereof.
The broken lines and the areas within them depict portions of the hanging barrel container that form no part of the claimed design.

1 Claim, 6 Drawing Sheets





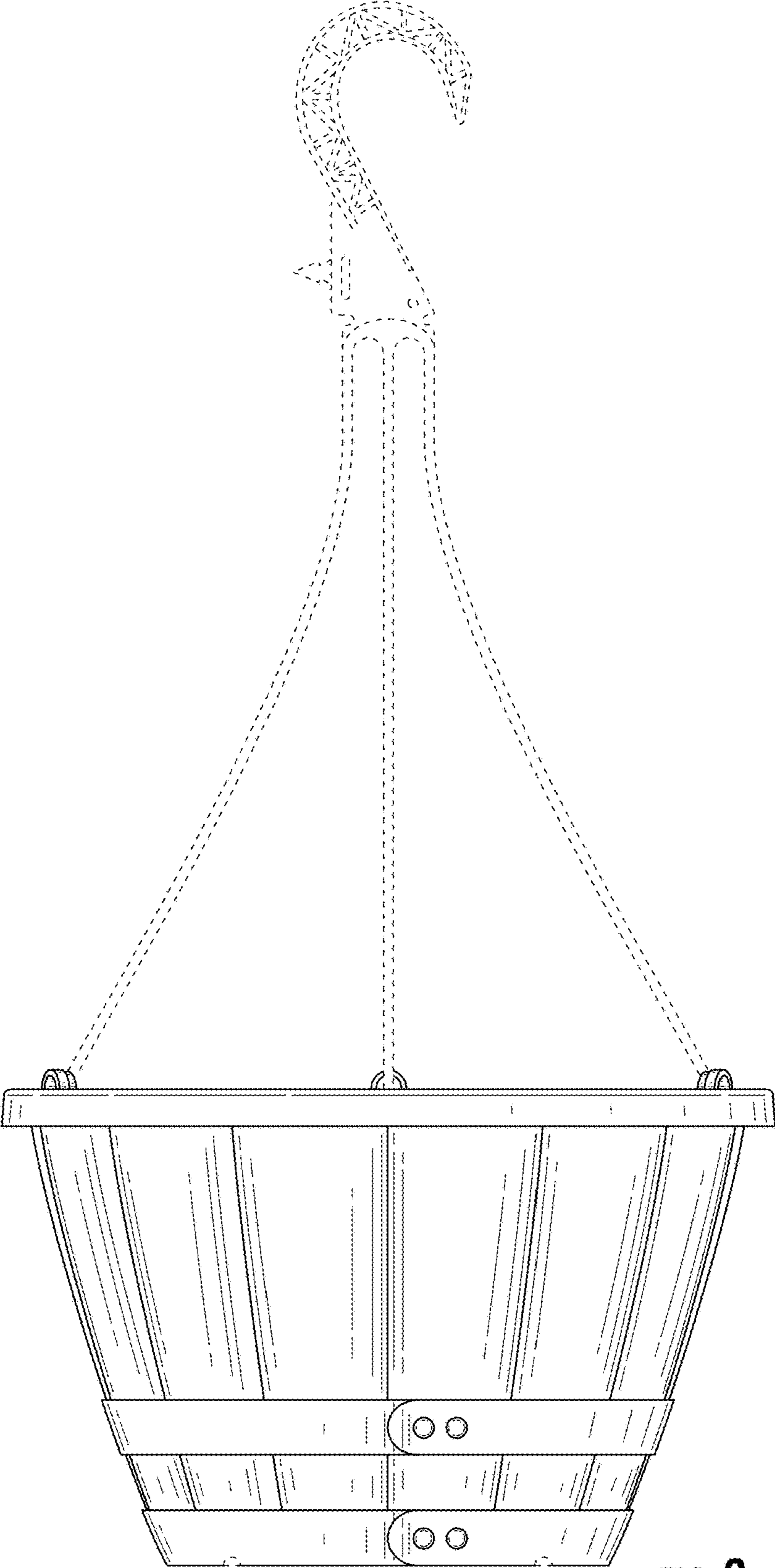


FIG. 2

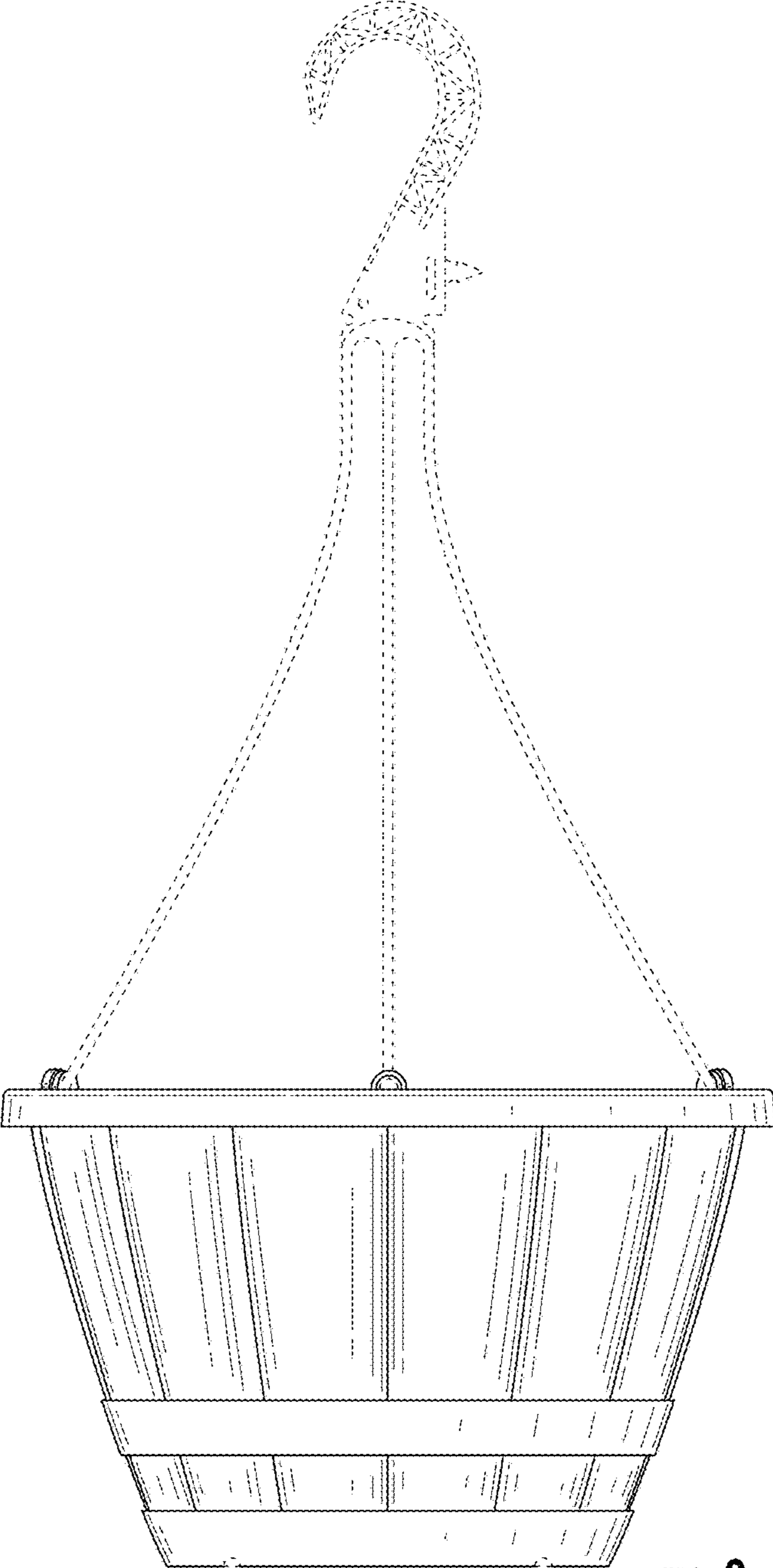


FIG. 3

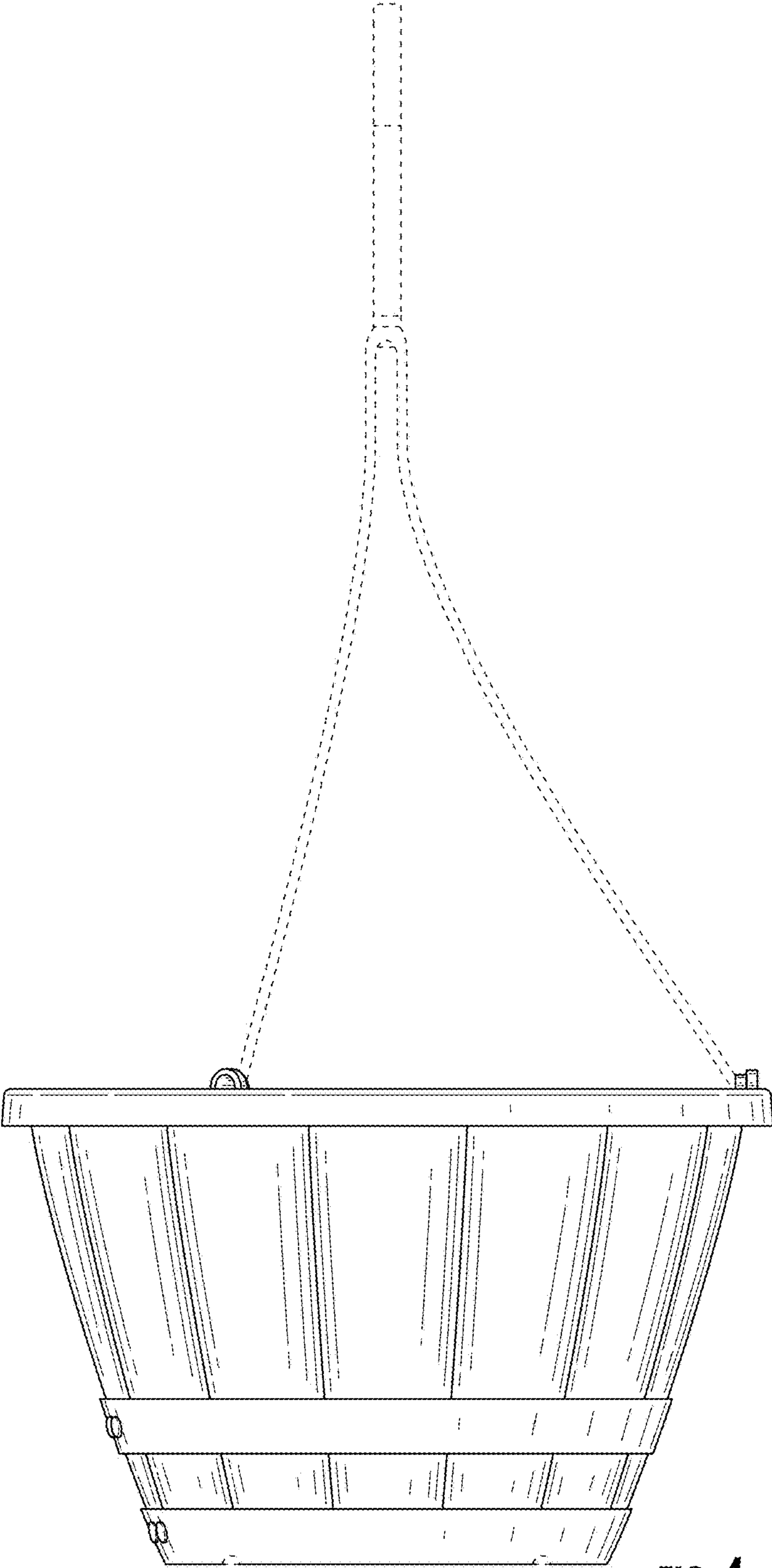


FIG. 4

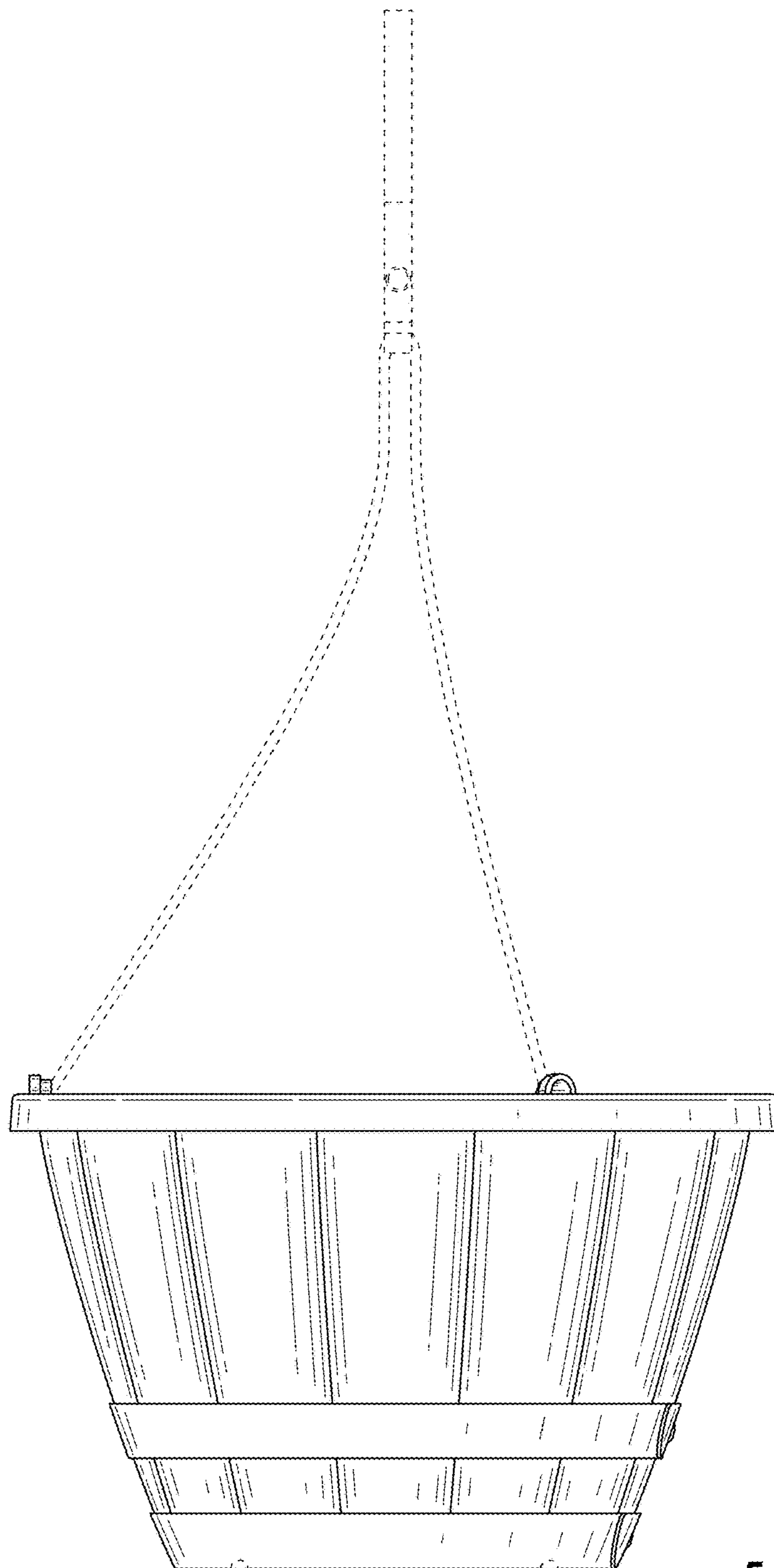


FIG. 5

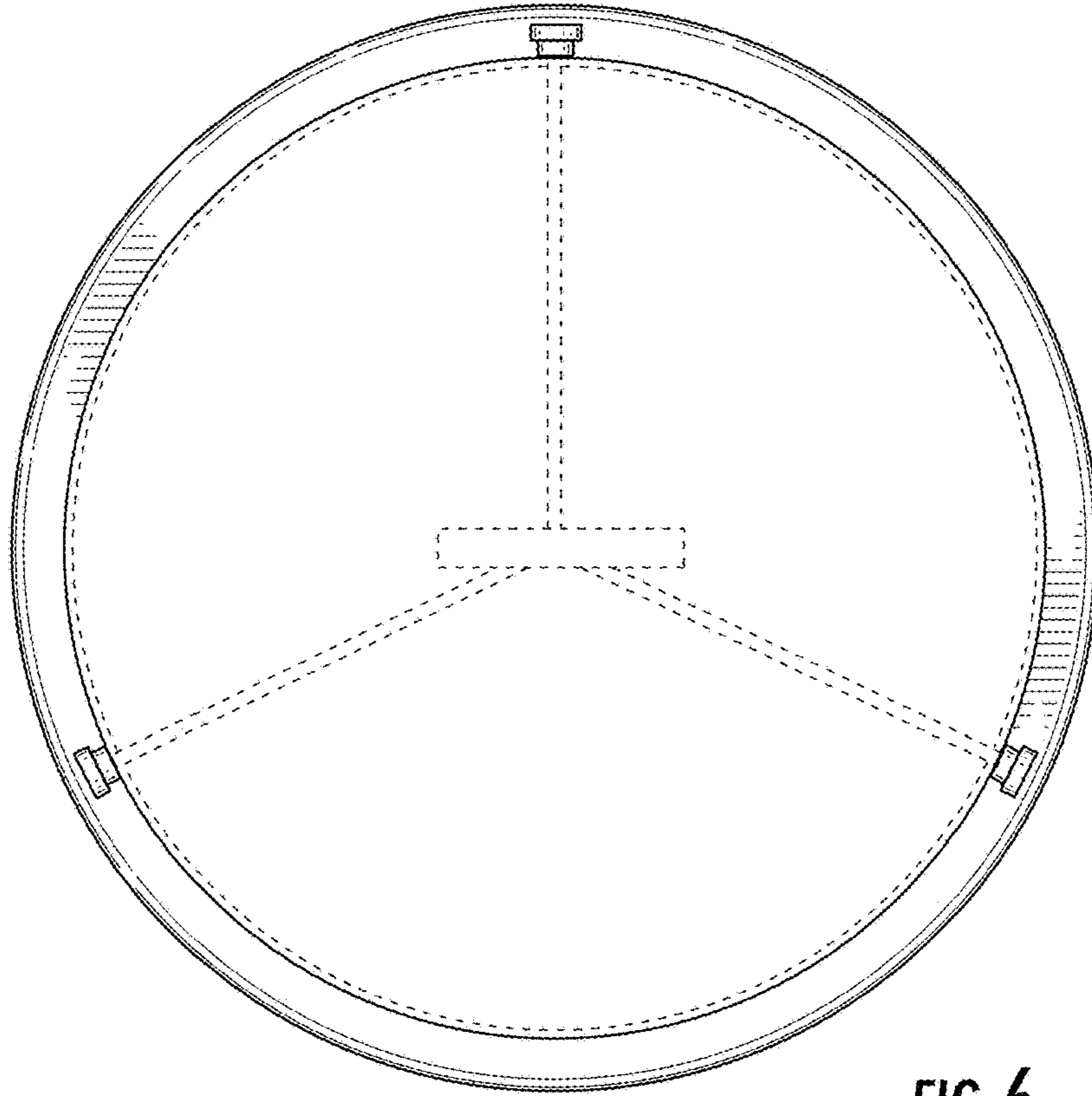


FIG. 6

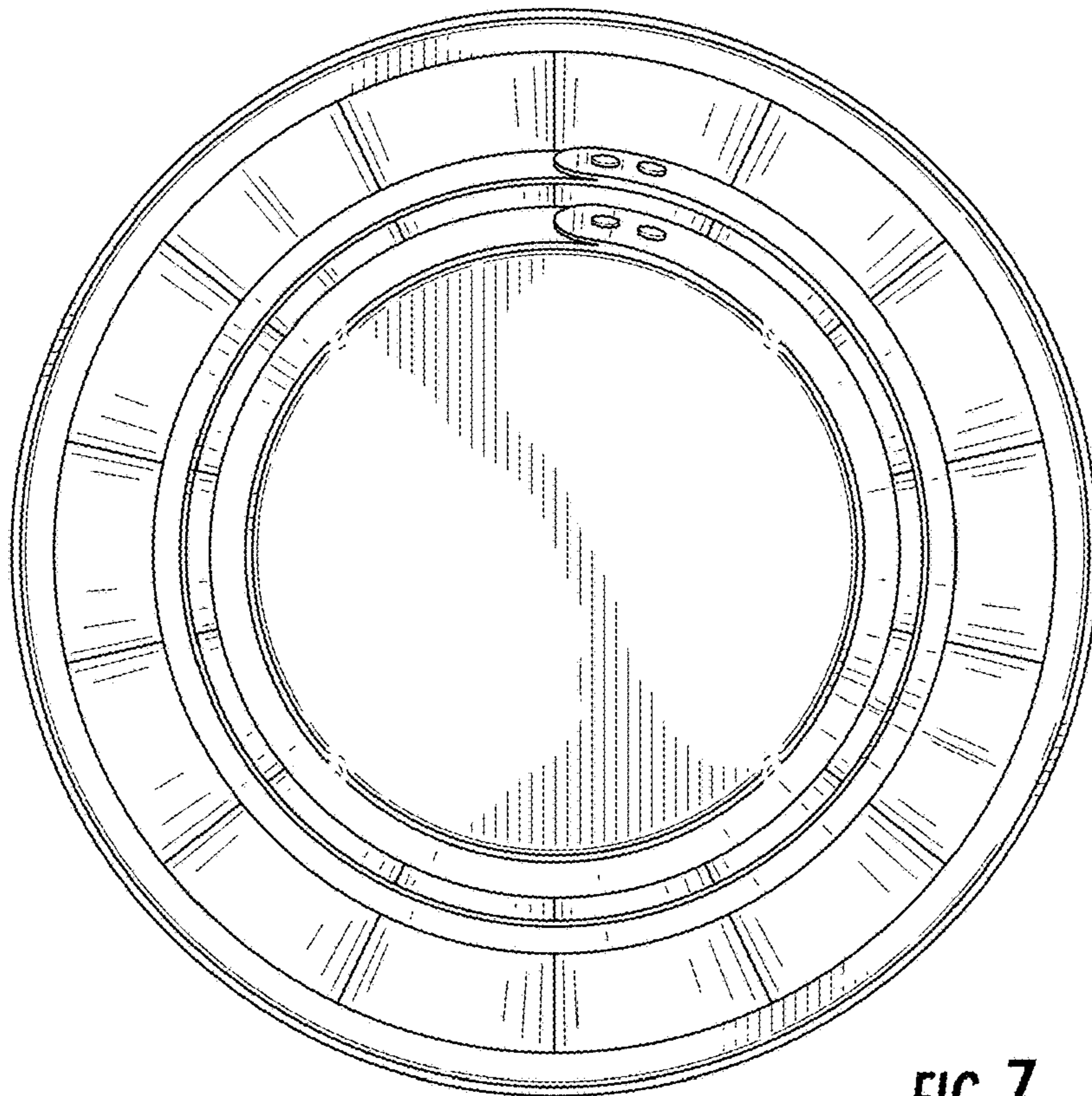


FIG. 7